

US00D813688S

(12) **United States Design Patent**  
**Stigliani**

(10) **Patent No.:** **US D813,688 S**

(45) **Date of Patent:** **\*\* Mar. 27, 2018**

(54) **WATCH CASE**

(71) Applicant: **Bulgari Horlogerie S.A.**, Neuchatel (CH)

(72) Inventor: **Fabrizio Buonamassa Stigliani**, Neuchatel (CH)

(73) Assignee: **BULGARI HORLOGERIE S.A.**, Neuchatel (CH)

(\*\*) Term: **15 Years**

(21) Appl. No.: **29/571,621**

(22) Filed: **Jul. 20, 2016**

(30) **Foreign Application Priority Data**

Jan. 20, 2016 (WO) ..... DM/089072

(51) **LOC (11) Cl.** ..... **10-02**

(52) **U.S. Cl.**  
USPC ..... **D10/30**

(58) **Field of Classification Search**

USPC ..... D10/1-39, 122-132

CPC ..... G04B 17/00; G04B 17/02; G04B 17/005;

G04B 17/285; G04B 37/00; G04B 37/00;

G04B 37/0058; G04B 45/00; G04B

45/02; G04B 45/038; G04B 45/0069;

G04B 45/0076; G04B 29/00

See application file for complete search history.

(56) **References Cited**

**U.S. PATENT DOCUMENTS**

D119,192 S \* 2/1940 Welling ..... D10/32

D150,864 S \* 9/1948 Katz ..... D11/12

D150,867 S \* 9/1948 Katz ..... D11/14

D151,186 S \* 9/1948 Scarsdale ..... D11/5

D339,082 S \* 9/1993 Bulgari ..... D11/3

D606,886 S \* 12/2009 Bulgari ..... D10/32

D606,894 S \* 12/2009 Bulgari ..... D11/5

D628,092 S \* 11/2010 Bulgari ..... D10/32

D779,999 S \* 2/2017 Bulgari ..... D11/5

D780,035 S \* 2/2017 Bulgari ..... D11/42

D781,159 S \* 3/2017 Goto ..... D10/38

\* cited by examiner

*Primary Examiner* — Sheryl Lane

*Assistant Examiner* — Calvin E Vansant

(74) *Attorney, Agent, or Firm* — Stephen Kenny; Peter Sullivan; Foley Hoag LLP

(57) **CLAIM**

The ornamental design for a watch case, as shown and described.

**DESCRIPTION**

FIG. 1 is a perspective view of the watch case showing my new design.

FIG. 2 is a front view thereof.

FIG. 3 is a back view thereof.

FIG. 4 is a left view thereof.

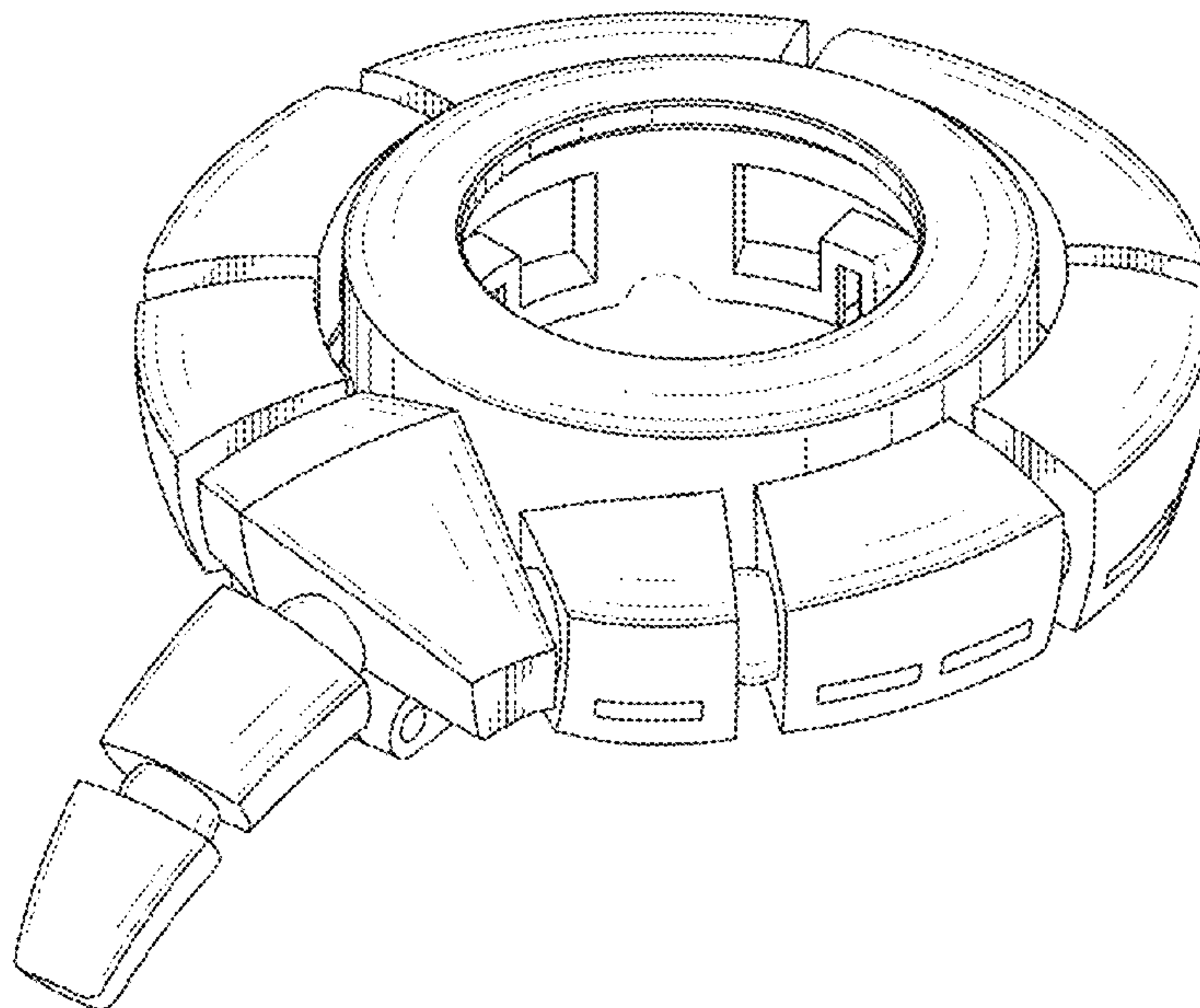
FIG. 5 is a right view thereof.

FIG. 6 is a top view thereof; and,

FIG. 7 is a bottom view thereof.

The broken lines represent portions of the watch case that form no part of the claimed design.

**1 Claim, 7 Drawing Sheets**



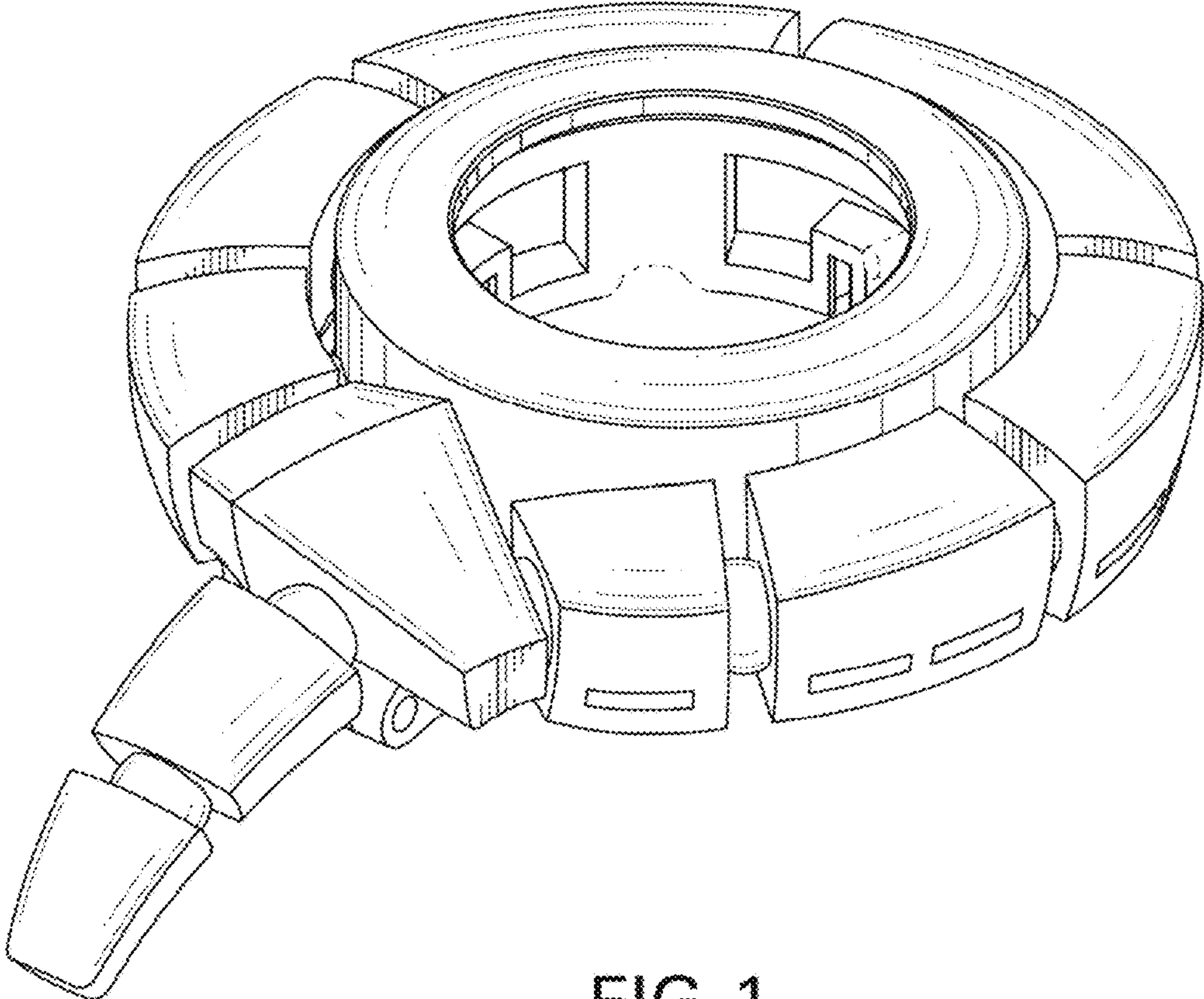


FIG. 1

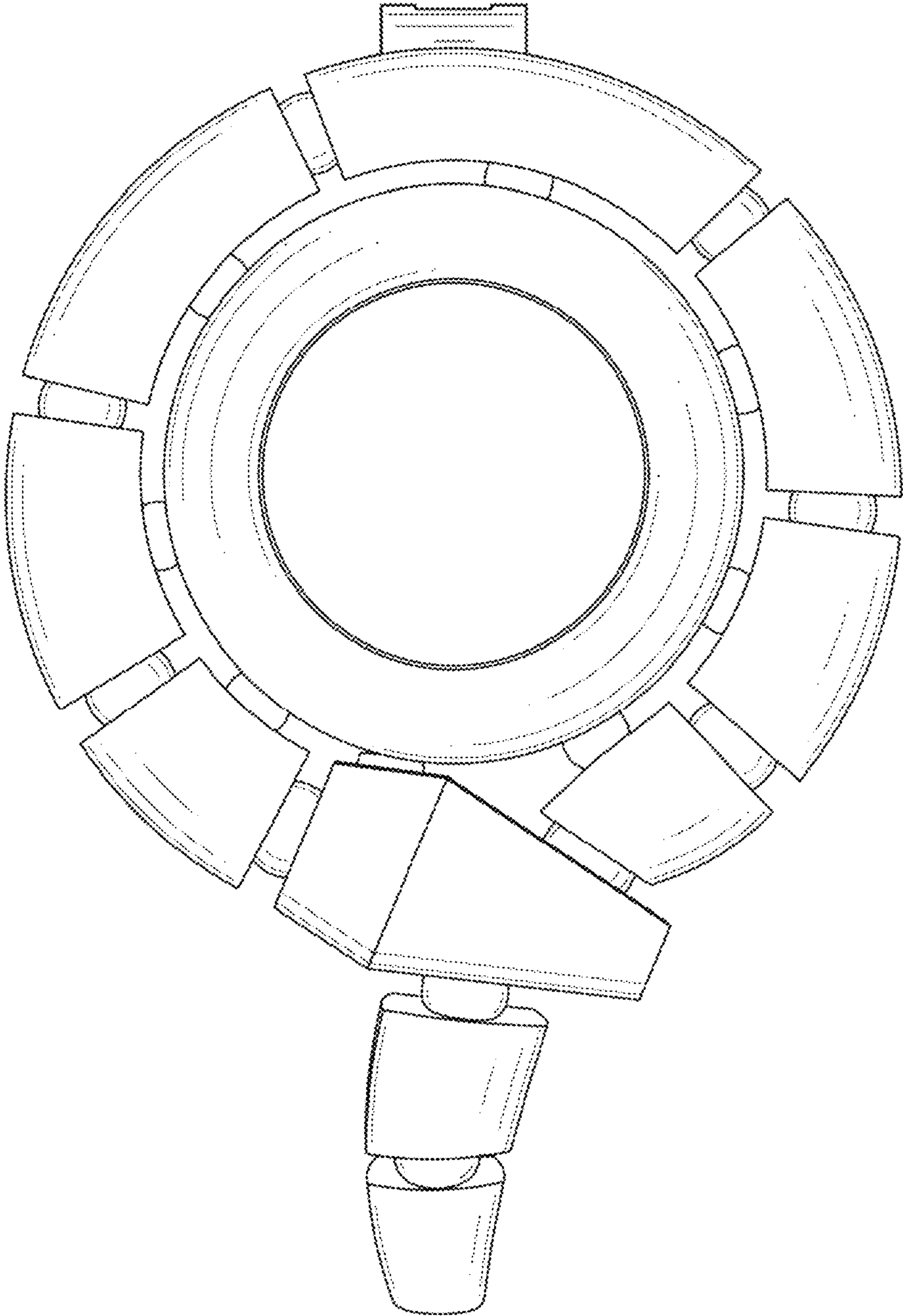


FIG.2



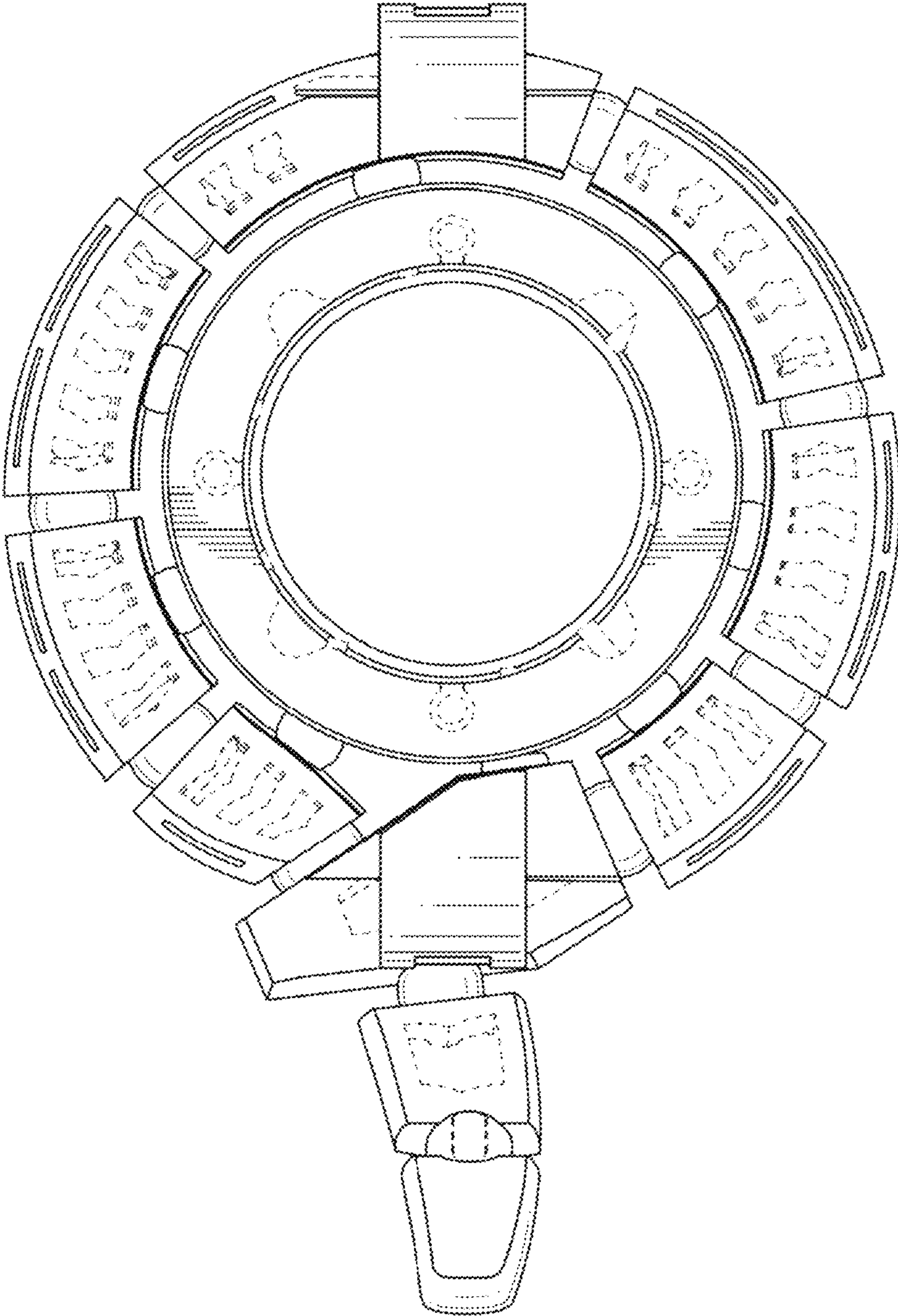


FIG. 3

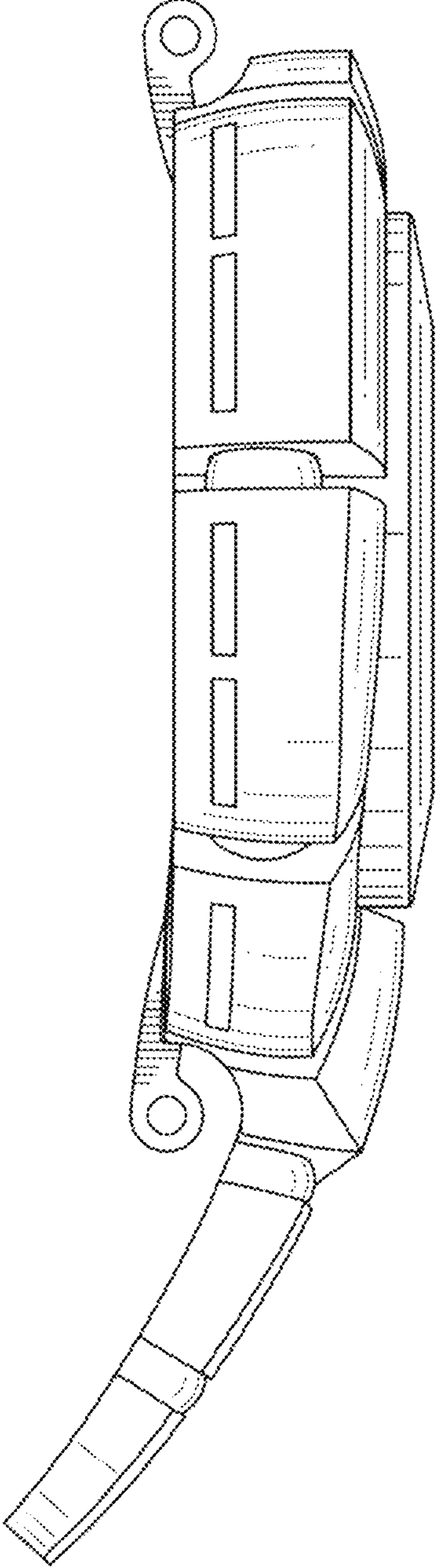


FIG.4

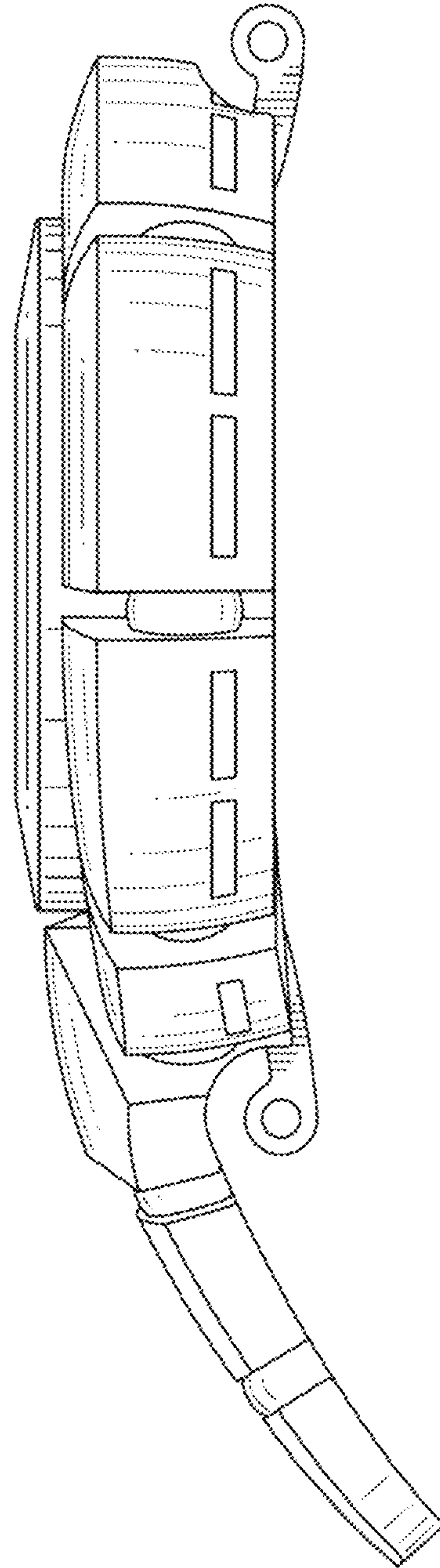


FIG. 5

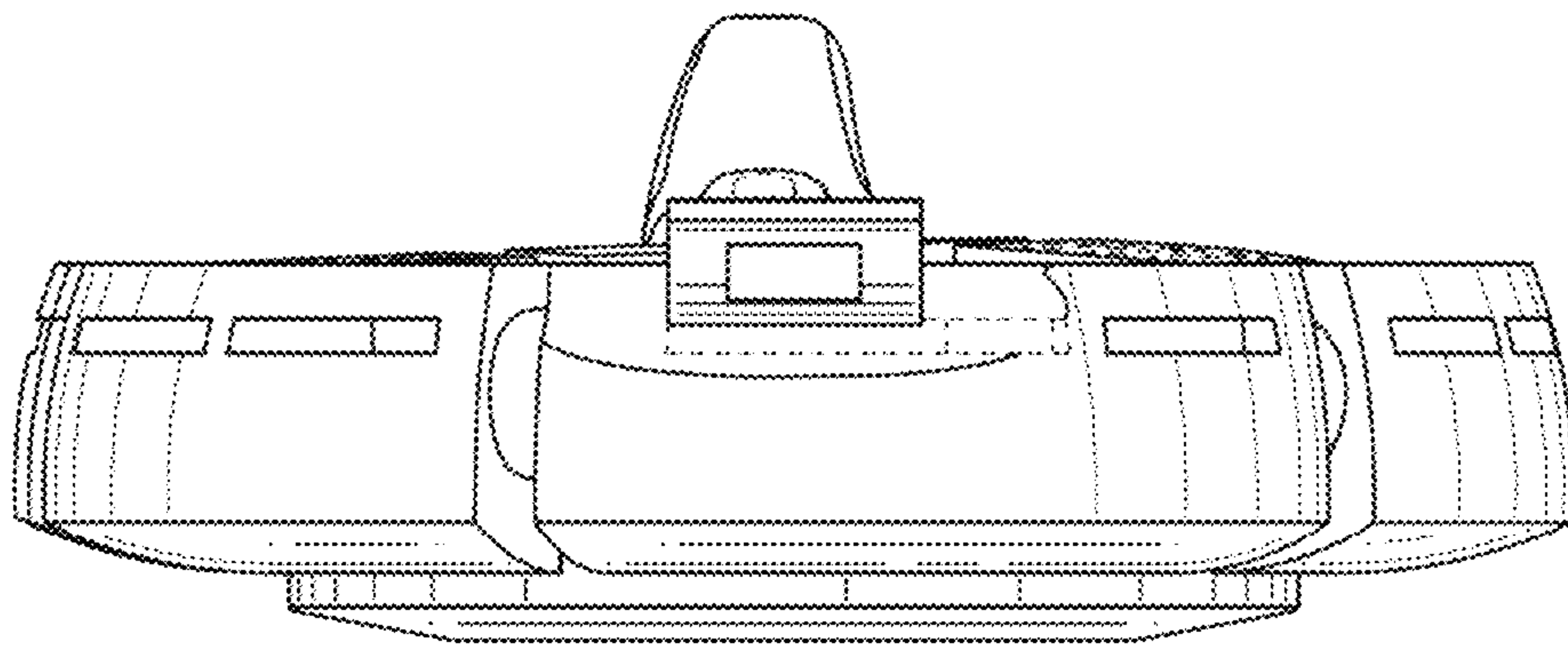


FIG. 6

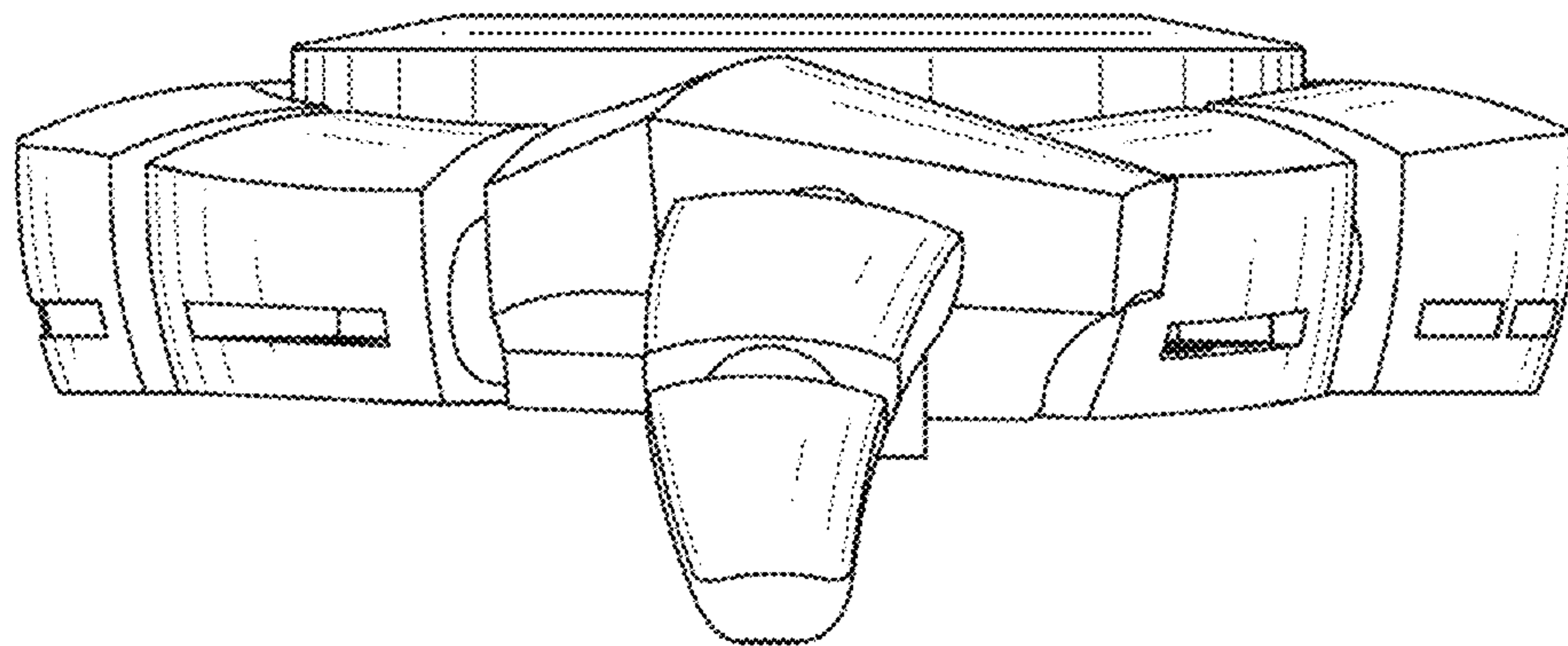


FIG. 7