



US00D813686S

(12) **United States Design Patent**
Murray

(10) **Patent No.:** **US D813,686 S**
(45) **Date of Patent:** **** Mar. 27, 2018**

- (54) **POUCH**
- (71) Applicant: **Penta 5 USA, LLC**, Sarasota, FL (US)
- (72) Inventor: **R. Charles Murray**, Sarasota, FL (US)
- (73) Assignee: **Penta 5 USA, LLC**, Sarasota, FL (US)
- (**) Term: **15 Years**

D651,522 S *	1/2012	Kristoff	D9/708
D682,688 S	5/2013	Murray	
D686,088 S *	7/2013	Murray	D9/708
D686,495 S	7/2013	Murray	
D700,846 S *	3/2014	LaMartina, IV	D9/708
D727,748 S *	4/2015	Murray	D9/710
D742,749 S *	11/2015	Murray	D9/439
D772,723 S *	11/2016	Murray	D9/707
D786,693 S *	5/2017	McNabb	D9/703
D790,362 S *	6/2017	Bell	D9/708

- (21) Appl. No.: **29/589,339**
- (22) Filed: **Dec. 30, 2016**
- (51) **LOC (11) Cl.** **09-05**
- (52) **U.S. Cl.**
USPC **D9/708**
- (58) **Field of Classification Search**
USPC D9/702-714, 720-722, 414, 434-435,
D9/696, 716, 771, 447, 516-517,
D9/738-747, 544, 520-521; D24/118,
D24/207, 108; 383/6, 9, 22, 96, 61.1,
383/80-81, 104, 901, 63, 203, 107,
383/119-120, 123, 61.2, 44; 220/675,
220/495.03; 215/381-385, 400, 328, 316;
206/484; D3/202; 428/34.3; 222/92,
222/215, 95, 107; 604/408, 403, 415
CPC ... B65D 1/00; B65D 1/02; B65D 1/09; B65D
1/10; B65D 1/32; B65D 1/0223
See application file for complete search history.

FOREIGN PATENT DOCUMENTS

CA	149226 S	6/2014
CA	149227 S	6/2014

* cited by examiner

Primary Examiner — Abraham Bahta
(74) *Attorney, Agent, or Firm* — Dismore & Shohl LLP

(57) **CLAIM**

The ornamental design for a pouch, as shown and described.

DESCRIPTION

FIG. 1 is a perspective view of the back and side of a pouch showing my new design;
FIG. 2 is a front elevational view thereof;
FIG. 3 is a side elevational view thereof;
FIG. 4 is a top elevational view thereof; and,
FIG. 5 is a bottom elevational view thereof.
It should be appreciated that the broken lines are merely illustrative of the environment of the design, and not part of the claimed design.

(56) **References Cited**
U.S. PATENT DOCUMENTS

D604,636 S *	11/2009	McMorris	D9/708
D617,187 S	6/2010	Murray	

1 Claim, 4 Drawing Sheets

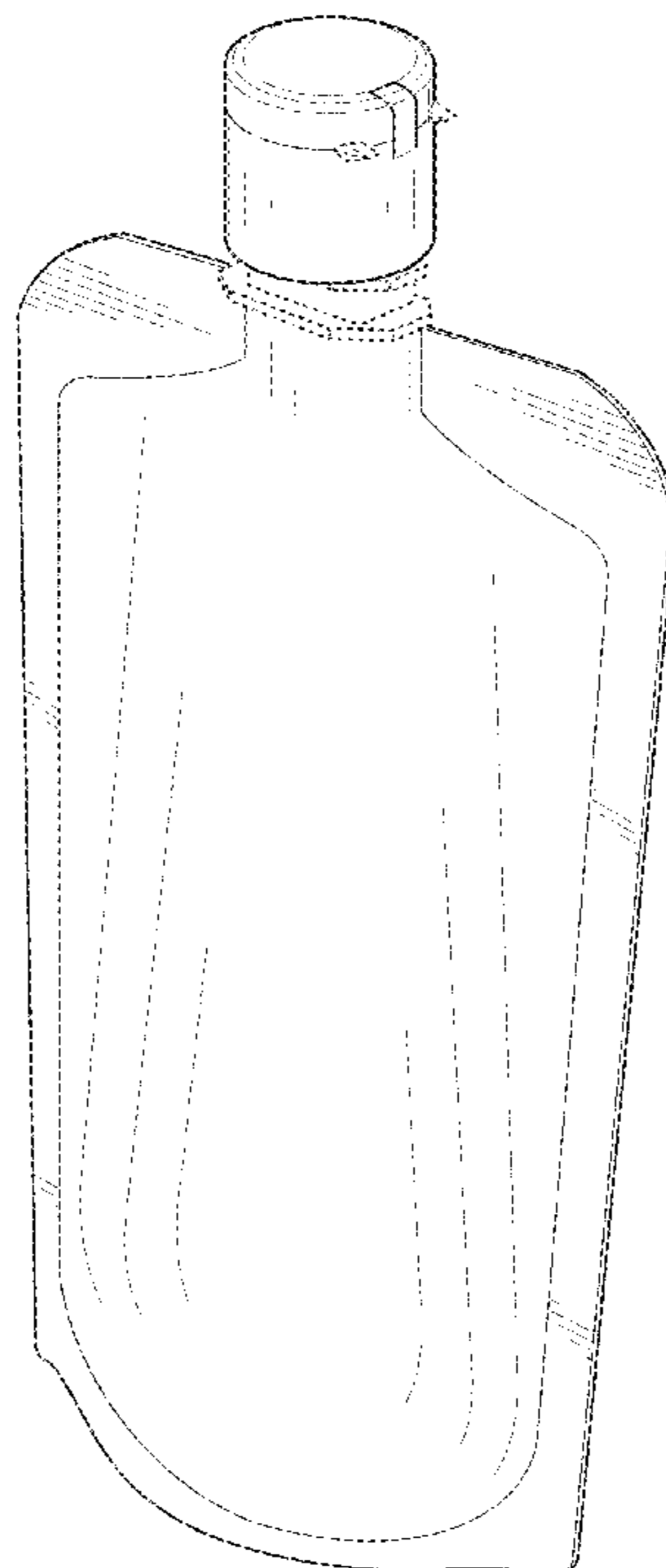


FIG. 1

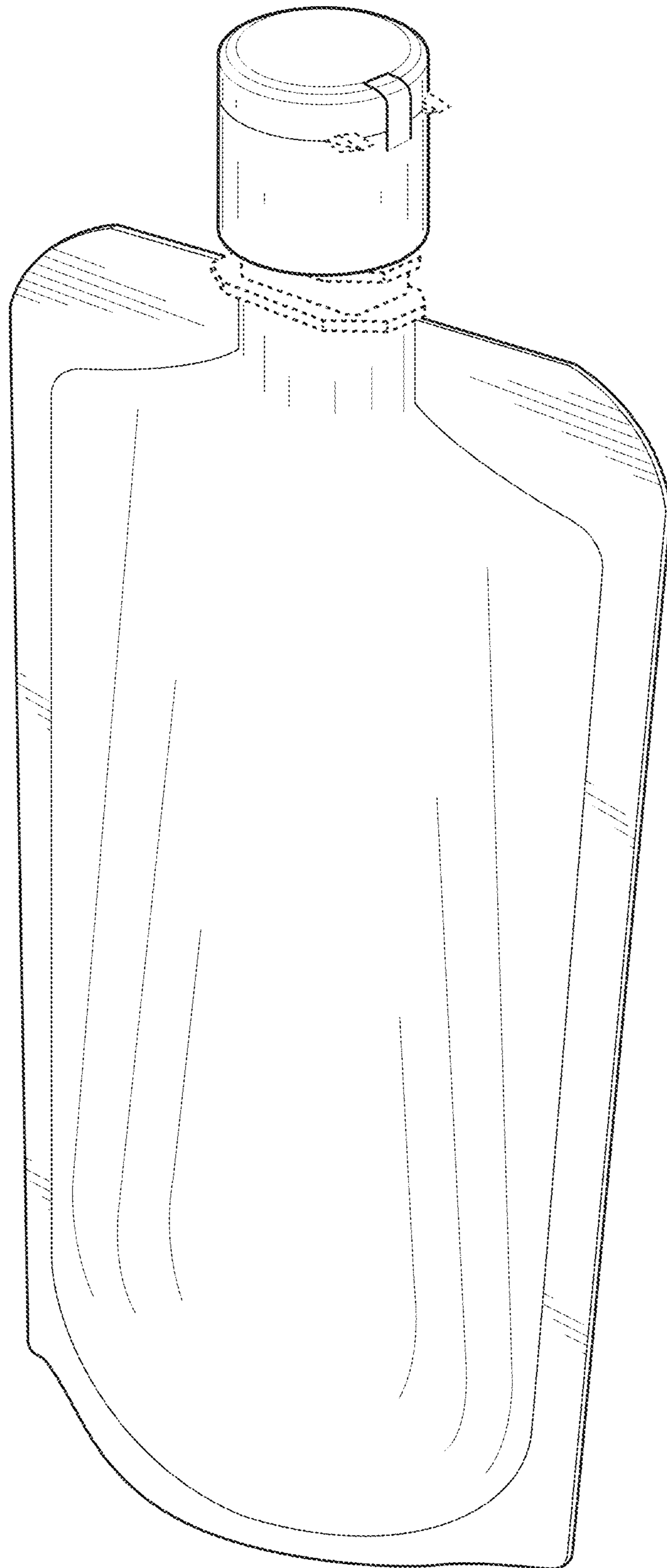


FIG. 2

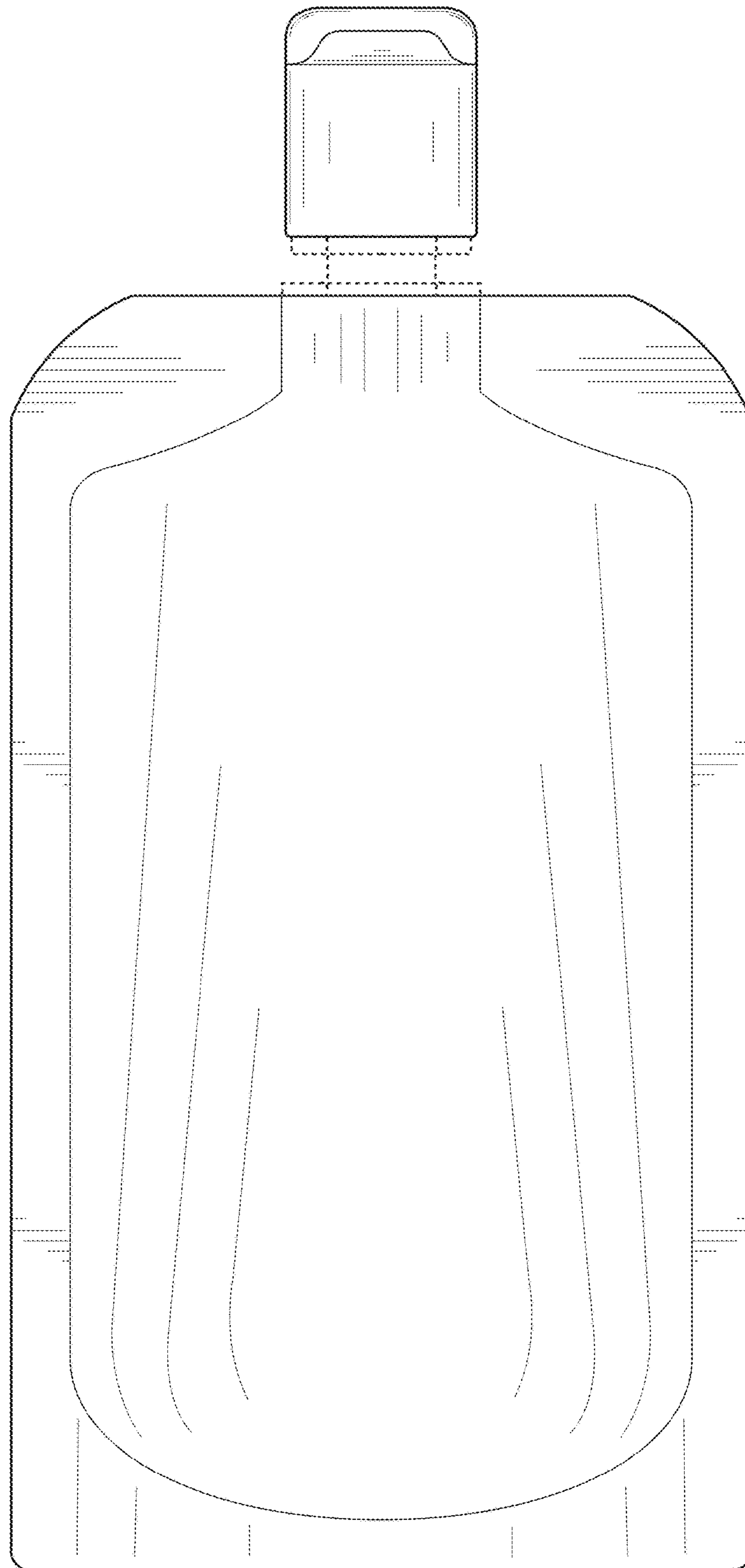
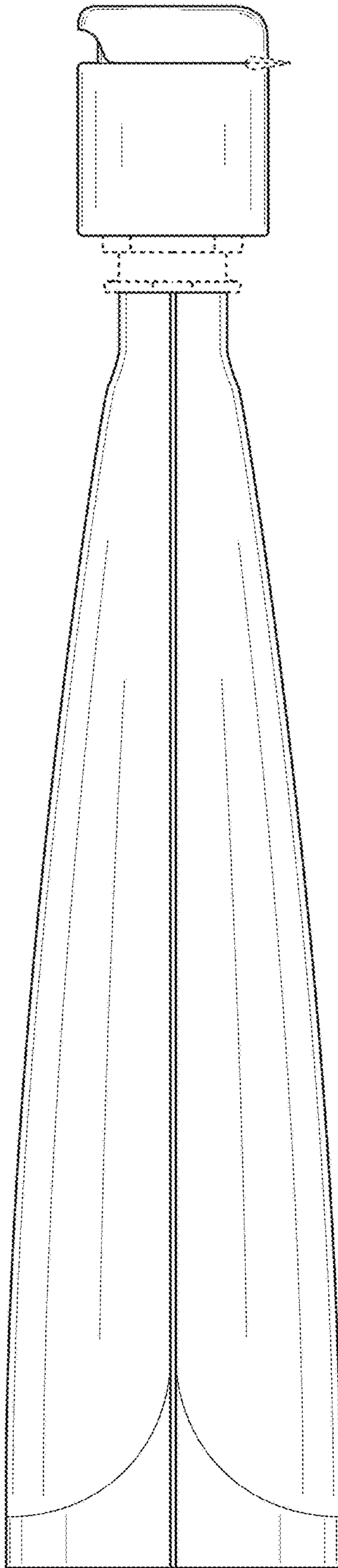


FIG. 3



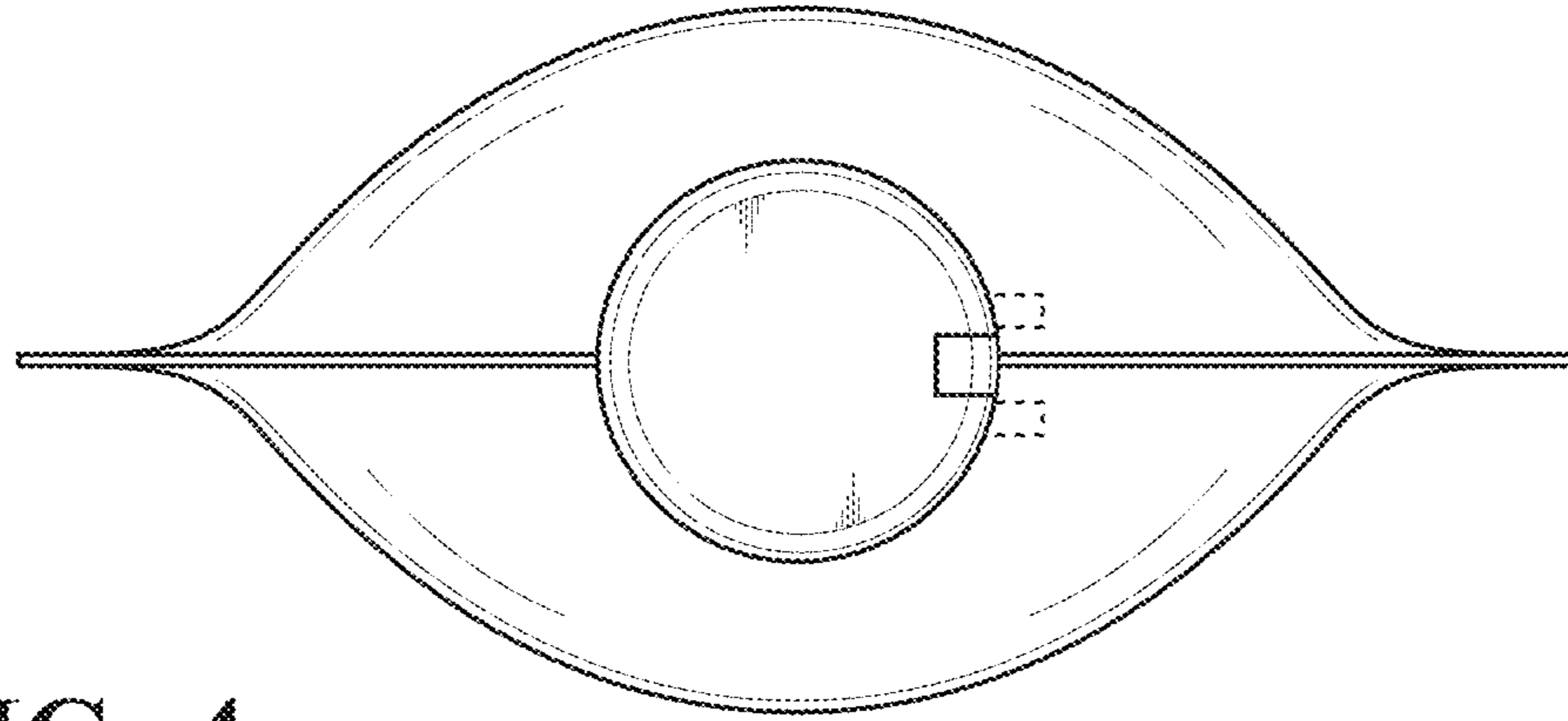


FIG. 4

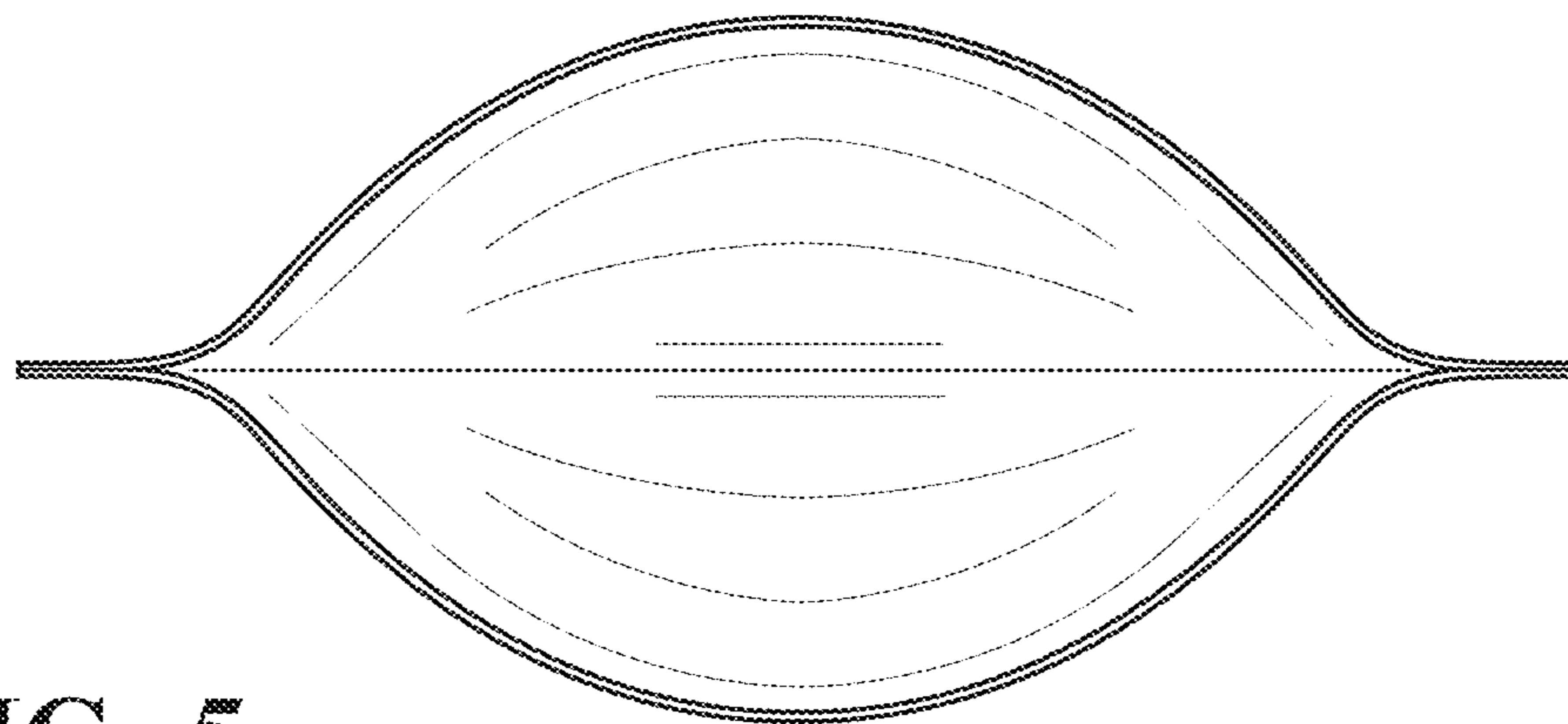


FIG. 5