



US00D813685S

(12) **United States Design Patent**  
**Akana et al.**

(10) **Patent No.:** **US D813,685 S**

(45) **Date of Patent:** **\*\* \*Mar. 27, 2018**

(54) **BAG**

(71) Applicant: **Apple Inc.**, Cupertino, CA (US)

(72) Inventors: **Jody Akana**, San Francisco, CA (US); **Molly Anderson**, San Francisco, CA (US); **Bartley K. Andre**, Palo Alto, CA (US); **Shota Aoyagi**, San Francisco, CA (US); **Anthony Michael Ashcroft**, San Francisco, CA (US); **Jeremy Bataillou**, San Francisco, CA (US); **Daniel J. Coster**, San Francisco, CA (US); **Daniele De Iuliis**, San Francisco, CA (US); **M Evans Hankey**, San Francisco, CA (US); **Julian Hoenig**, San Francisco, CA (US); **Richard P. Howarth**, San Francisco, CA (US); **Jonathan P. Ive**, San Francisco, CA (US); **Duncan Robert Kerr**, San Francisco, CA (US); **Michael Korinek**, San Francisco, CA (US); **Matthew Dean Rohrbach**, San Francisco, CA (US); **Peter Russell-Clarke**, San Francisco, CA (US); **Benjamin Andrew Shaffer**, San Jose, CA (US); **Mikael Silvanto**, San Francisco, CA (US); **Christopher J. Stringer**, Woodside, CA (US); **Clement Tissandier**, San Francisco, CA (US); **Eugene Antony Whang**, San Francisco, CA (US); **Rico Zörkendörfer**, San Francisco, CA (US)

(73) Assignee: **Apple Inc.**, Cupertino, CA (US)

(\*) Notice: This patent is subject to a terminal disclaimer.

(\*\*) Term: **15 Years**

(21) Appl. No.: **29/571,249**

(22) Filed: **Jul. 15, 2016**

**Related U.S. Application Data**

(63) Continuation of application No. 29/519,818, filed on Mar. 9, 2015, now Pat. No. Des. 764,939.

(51) **LOC (11) Cl.** ..... **09-05**

(52) **U.S. Cl.**  
USPC ..... **D9/704**

(58) **Field of Classification Search**  
USPC ..... D9/702-714, 719, 738-740, 517-518, D9/522, 416, 435, 444, 460, 455, 414,  
(Continued)

(56) **References Cited**

U.S. PATENT DOCUMENTS

D254,478 S 3/1980 Carroll  
D343,288 S 1/1994 Chao  
(Continued)

FOREIGN PATENT DOCUMENTS

DE D40102866-0001 10/2001  
DE D40102866-0002 10/2001  
JP D1020379 S 9/1998

*Primary Examiner* — Abraham Bahta

(74) *Attorney, Agent, or Firm* — Sterne, Kessler, Goldstein & Fox P.L.L.C.

(57) **CLAIM**

The ornamental design for a bag, as shown and described.

**DESCRIPTION**

FIG. 1 is a top front perspective view of a bag showing the claimed design;  
FIG. 2 is a front view thereof;  
FIG. 3 is a rear view thereof;  
FIG. 4 is a left side view thereof;  
FIG. 5 is a right side view thereof;  
FIG. 6 is a top view thereof;  
FIG. 7 is a bottom view thereof;  
FIG. 8 is a reference cross-sectional view taken along line 8-8 in FIG. 5 with handles removed;  
FIG. 9 is a reference perspective view showing the bag of FIG. 1 with handles in another state;  
FIG. 10 is a top front perspective view of a bag showing the claimed design;

(Continued)

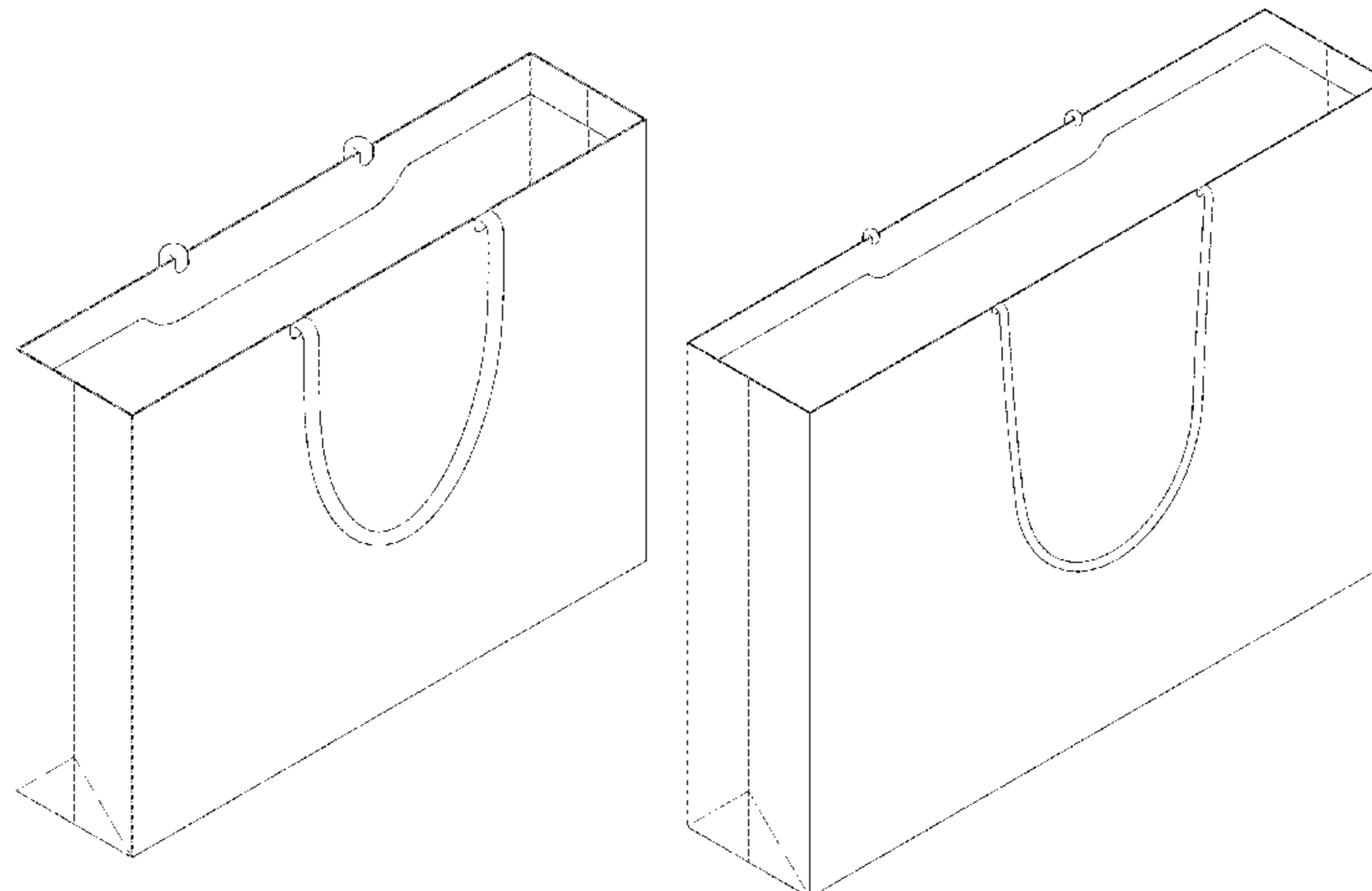


FIG. 11 is a front view thereof;  
 FIG. 12 is a rear view thereof;  
 FIG. 13 is a left side view thereof;  
 FIG. 14 is a right side view thereof;  
 FIG. 15 is a top view thereof;  
 FIG. 16 is a bottom view thereof;  
 FIG. 17 is a reference cross-sectional view taken along line 17-17 in FIG. 14 with handles removed; and,  
 FIG. 18 is a reference perspective view showing the bag of FIG. 10 with handles in another state.

**1 Claim, 16 Drawing Sheets**

(58) **Field of Classification Search**

USPC ..... D9/499, 431-432; D7/560-562;  
 206/434, 426-427, 429-430, 485, 485.1,  
 206/499, 508, 431, 418-422, 588-594;  
 229/117.3, 185, 121, 122, 200, 207, 236,  
 229/87.01; 220/23.83; 150/100-118;  
 294/137, 152; 383/6, 10, 14, 20, 40, 33,  
 383/104-105, 117, 108, 120, 93, 121.1,  
 383/127; 428/34.3

CPC ..... B65D 33/00; B65D 33/06; B65D 33/065;  
 B65D 33/14; B65D 33/1683; B65D  
 33/12; B65D 31/00; B65D 31/04; B65D  
 31/10

See application file for complete search history.

(56)

**References Cited**

U.S. PATENT DOCUMENTS

D490,301 S	5/2004	Townsend	
D494,058 S	8/2004	Clark	
D494,853 S	8/2004	Chan	
D497,541 S	10/2004	Clark	
D498,667 S	11/2004	Clark	
D522,379 S	6/2006	Clark	
D548,107 S	8/2007	Glass	
D578,409 S	10/2008	Clark	
D764,939 S *	8/2016	Akana .....	D9/703
D785,463 S *	5/2017	Akana .....	D9/703

\* cited by examiner

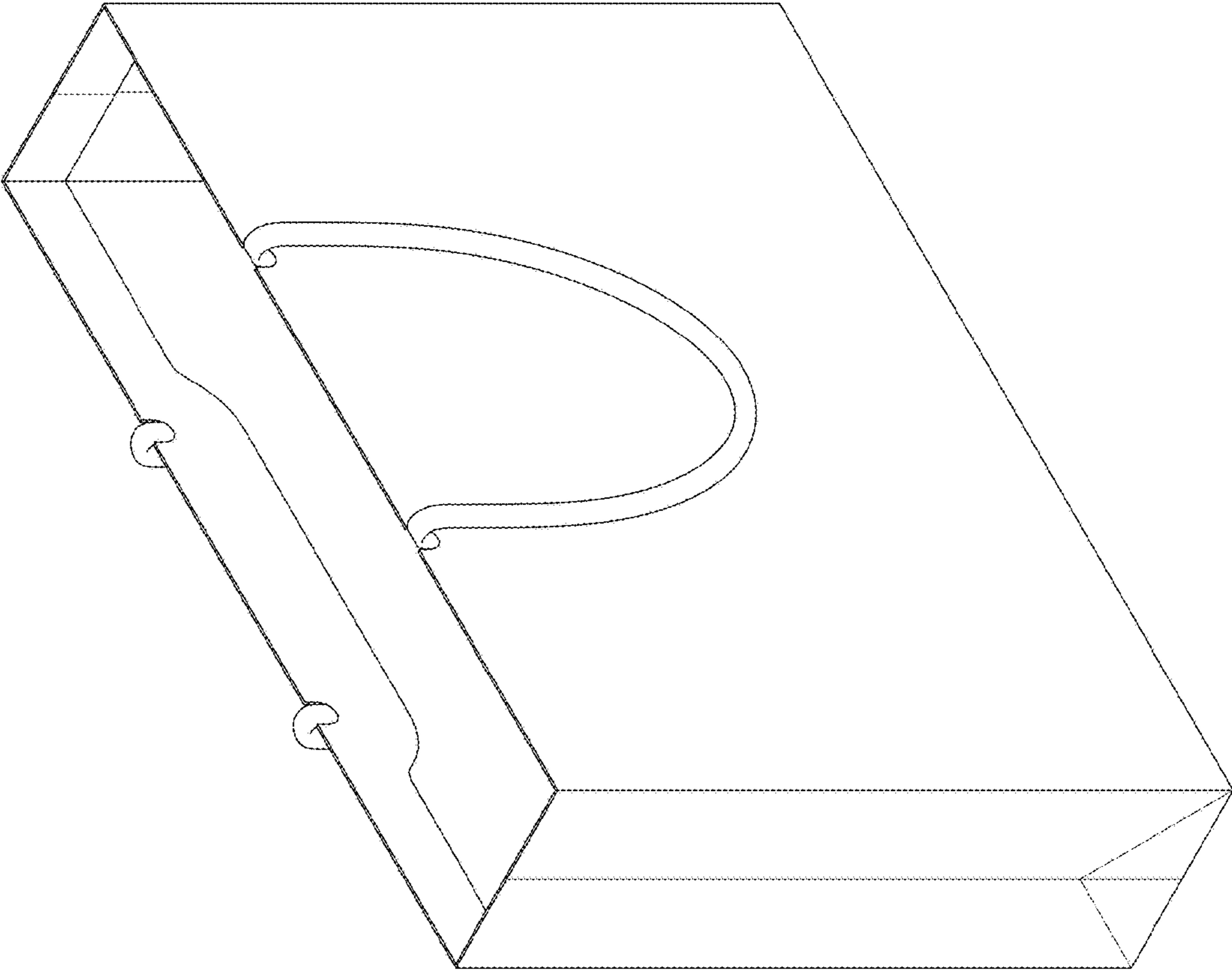


FIG. 1

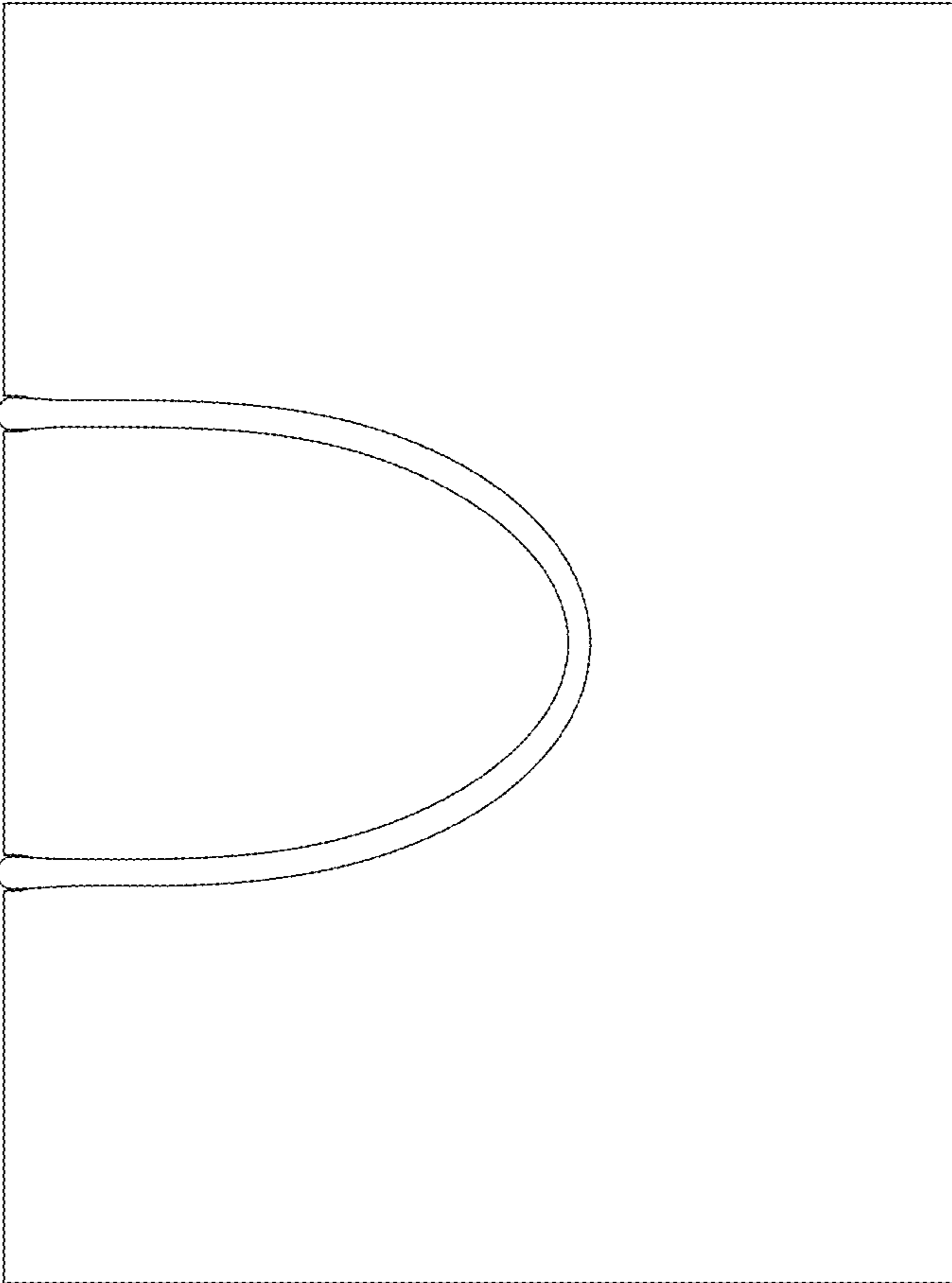


FIG. 2

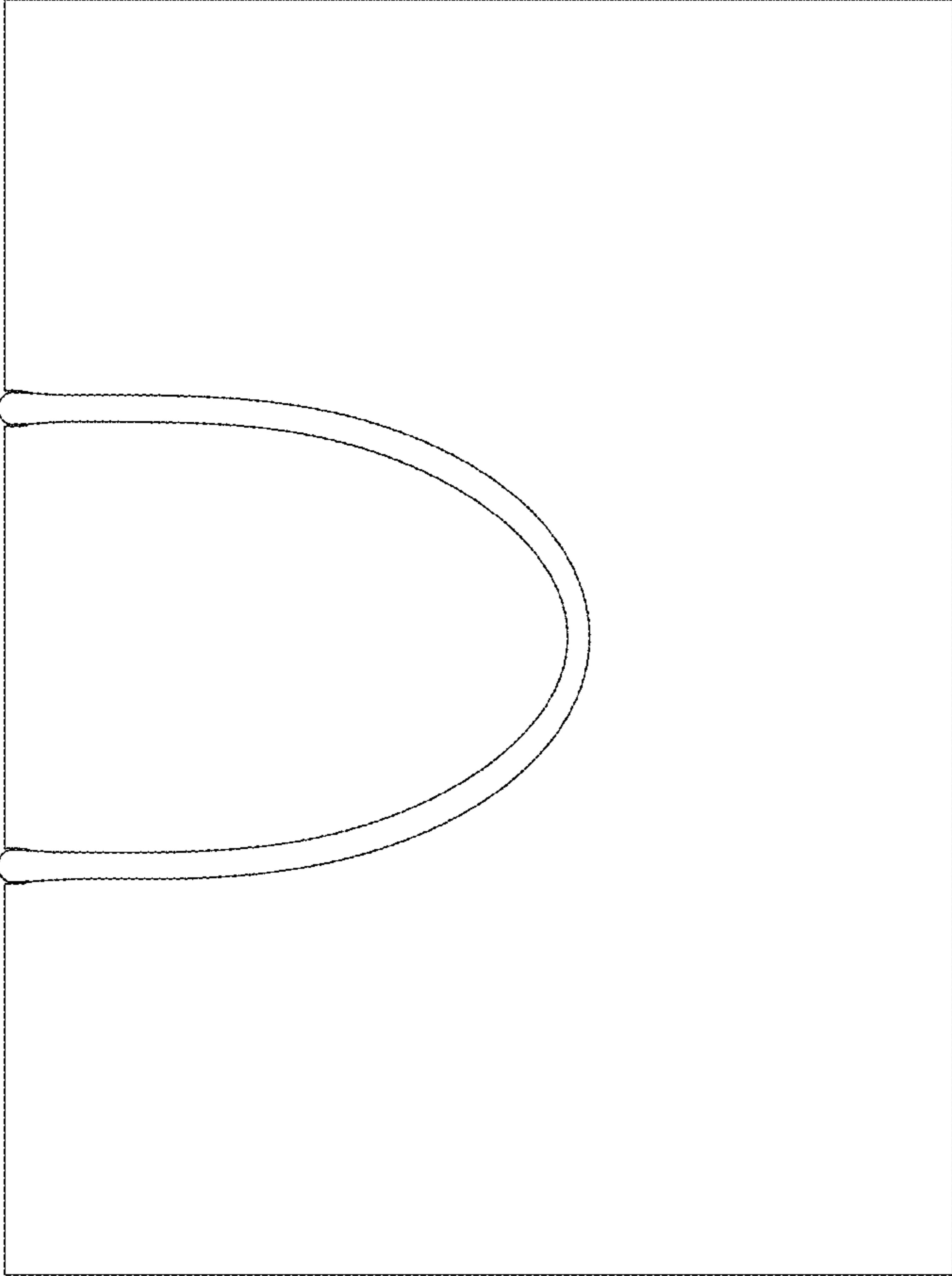
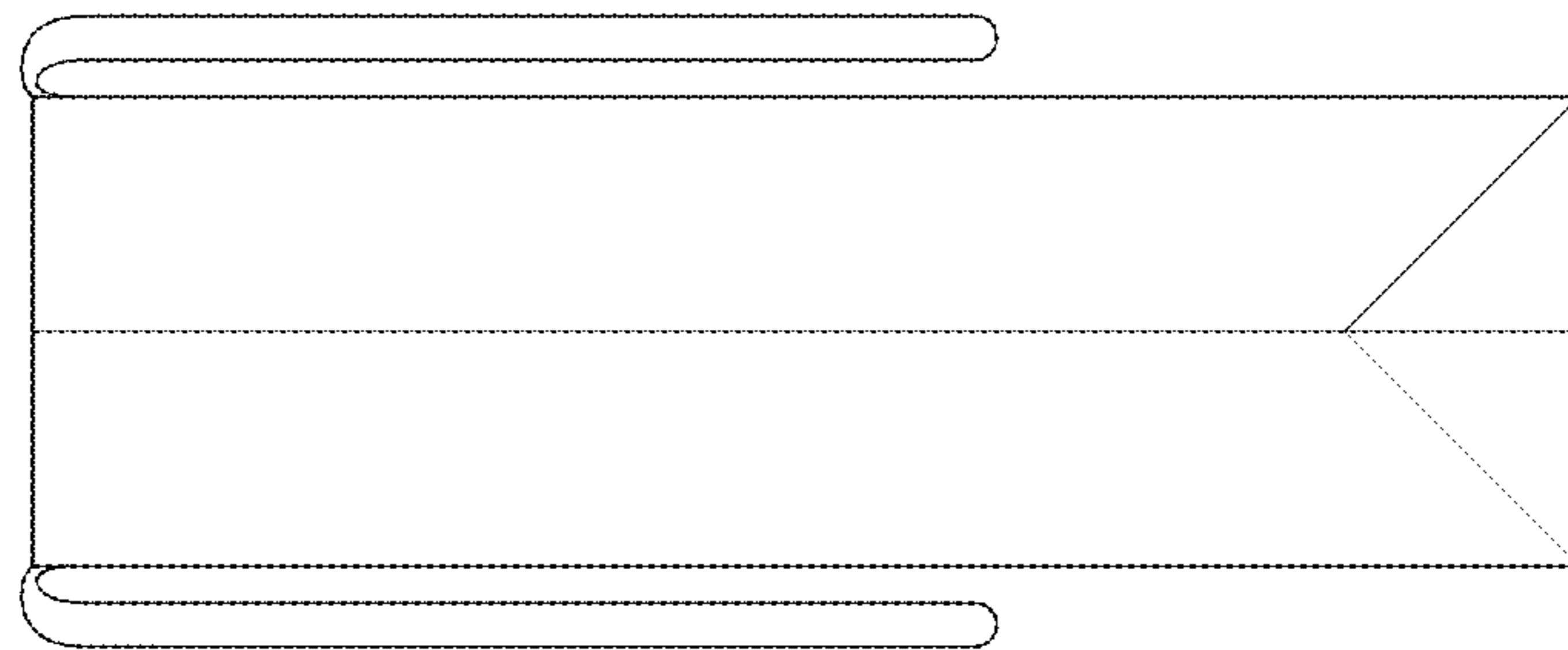


FIG. 3



**FIG. 4**

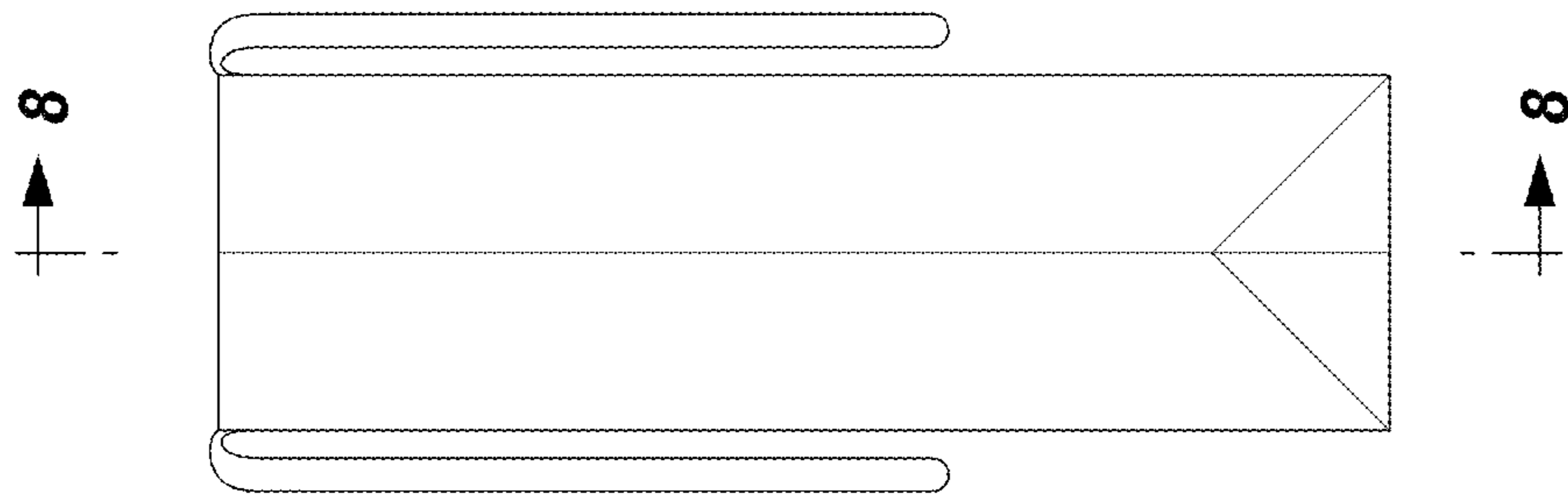


FIG. 5

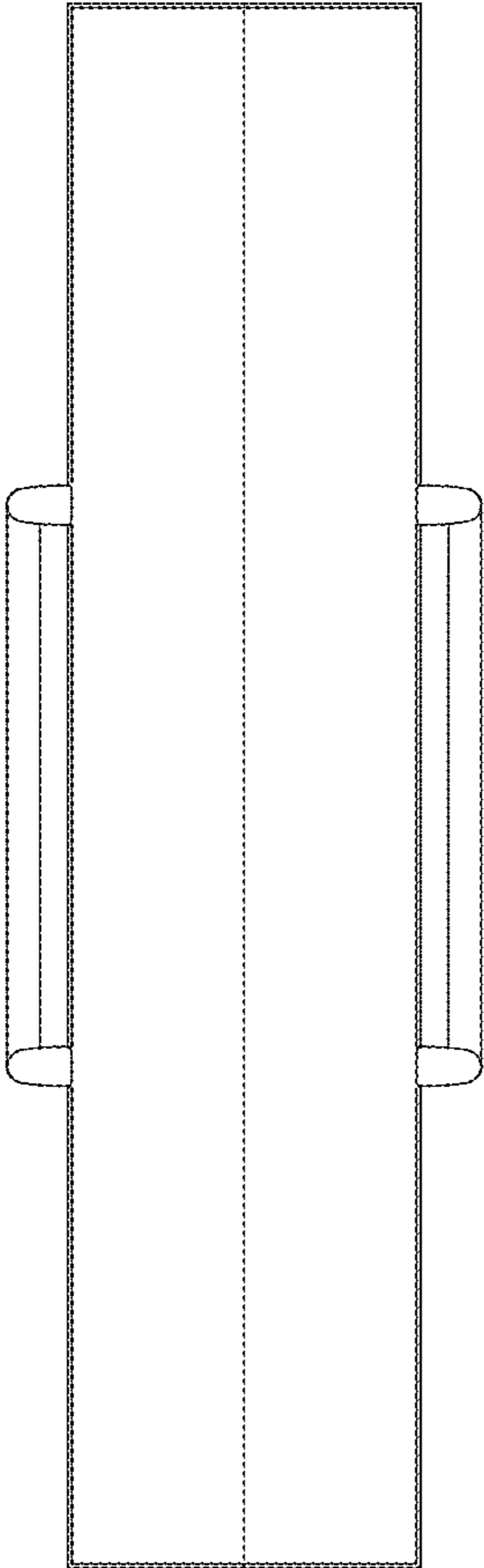


FIG. 6

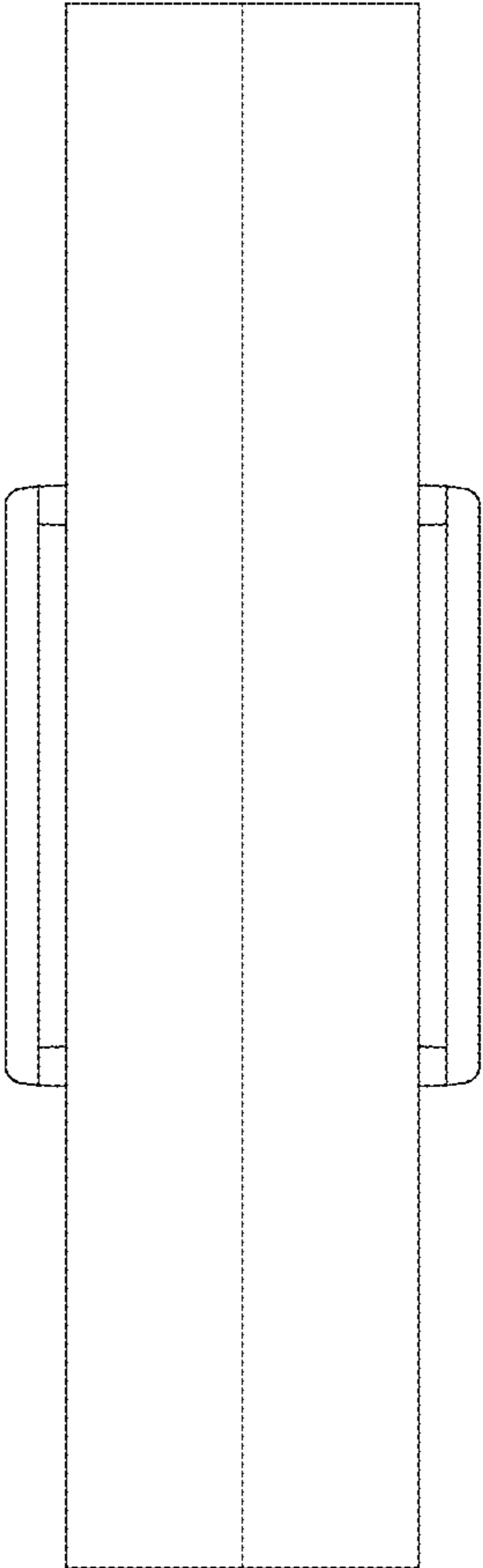


FIG. 7



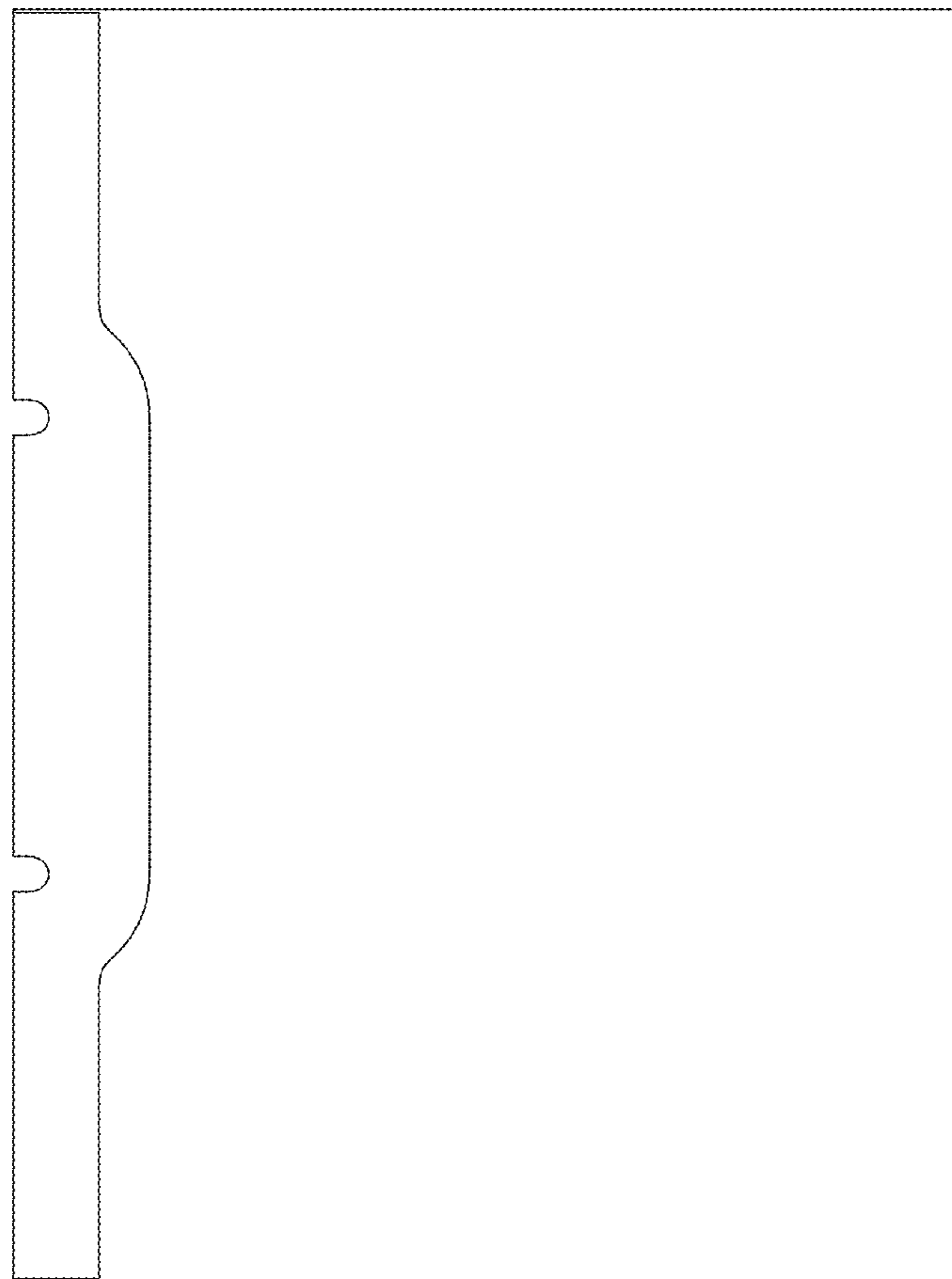


FIG. 8

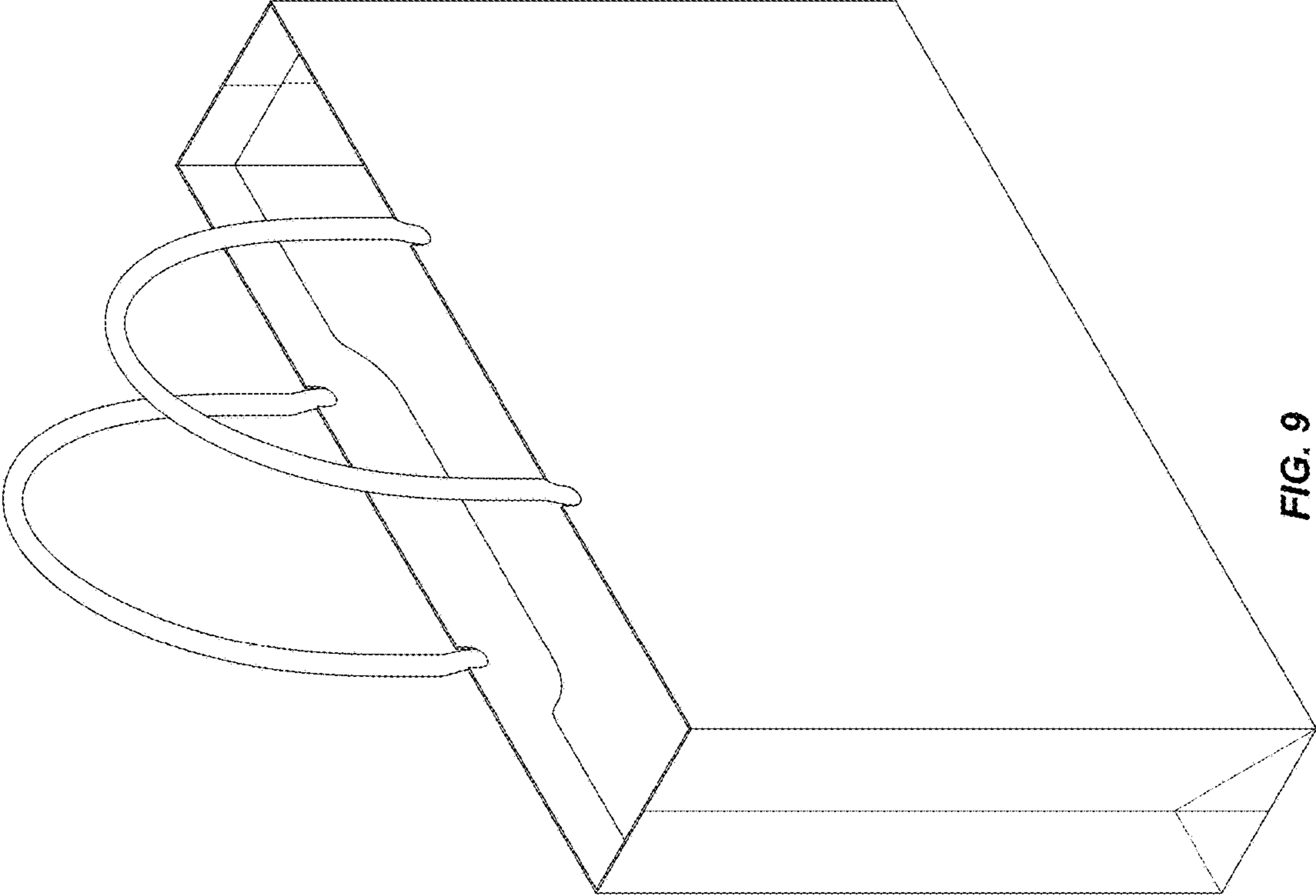


FIG. 9

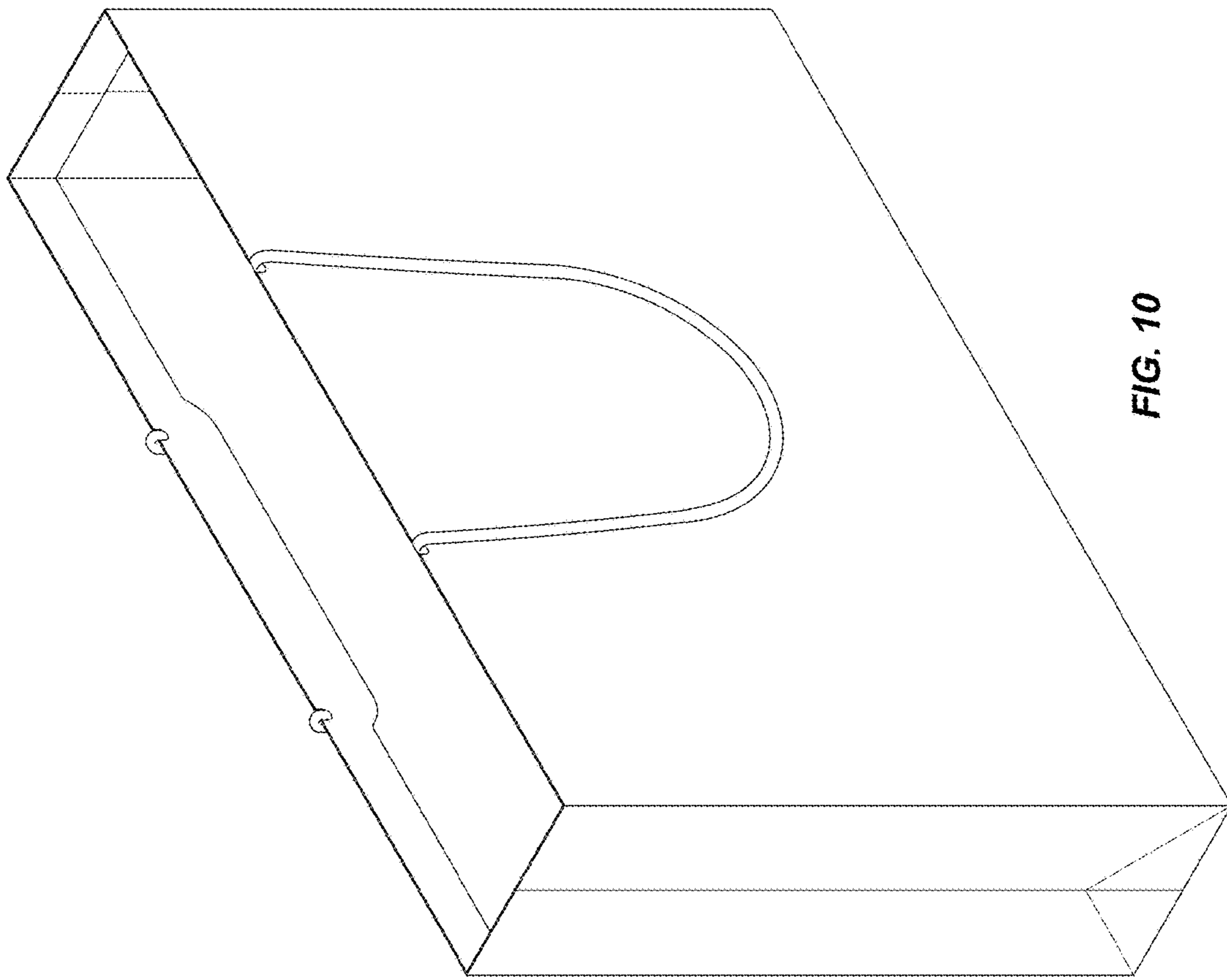


FIG. 10

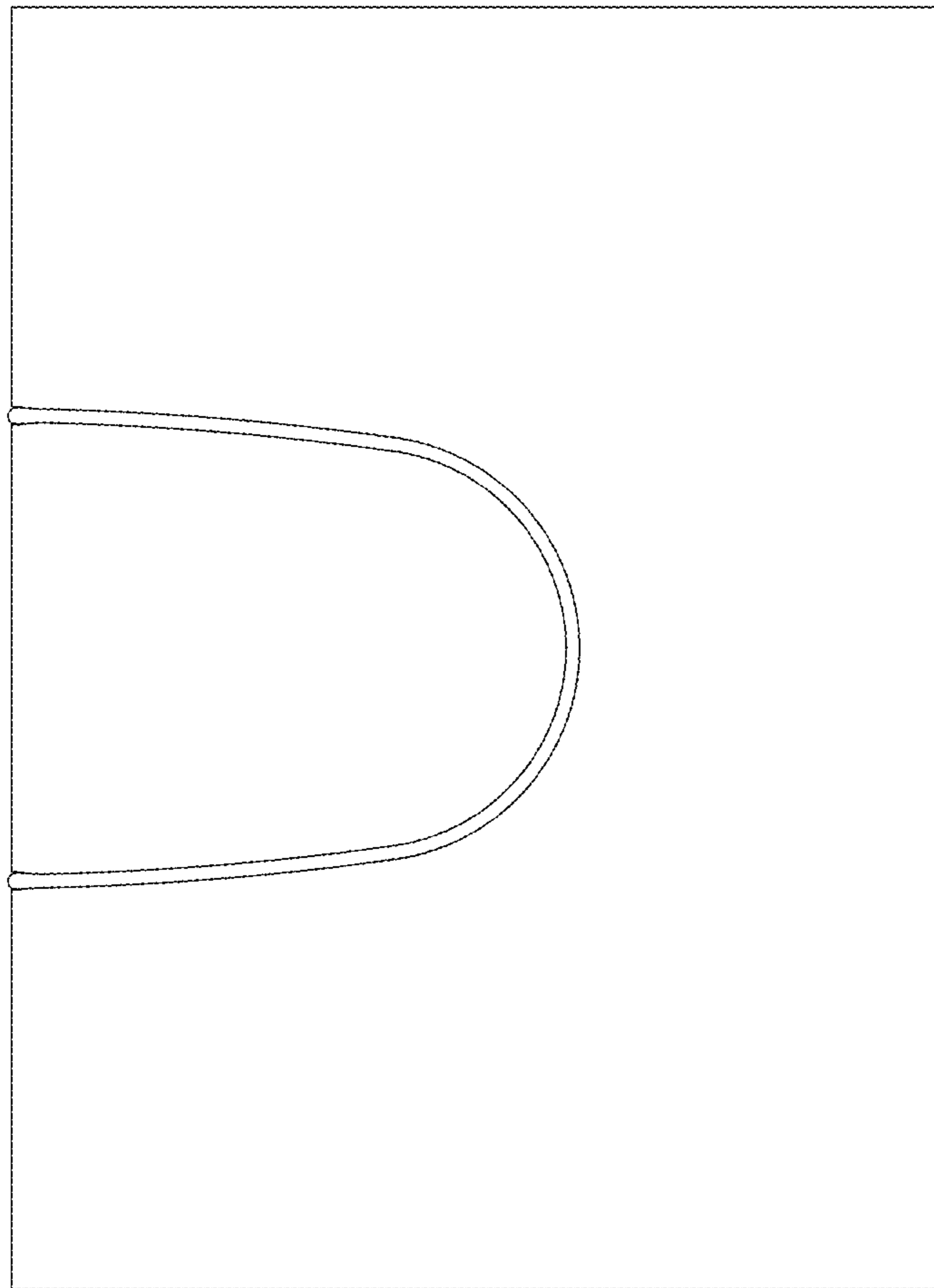


FIG. 11

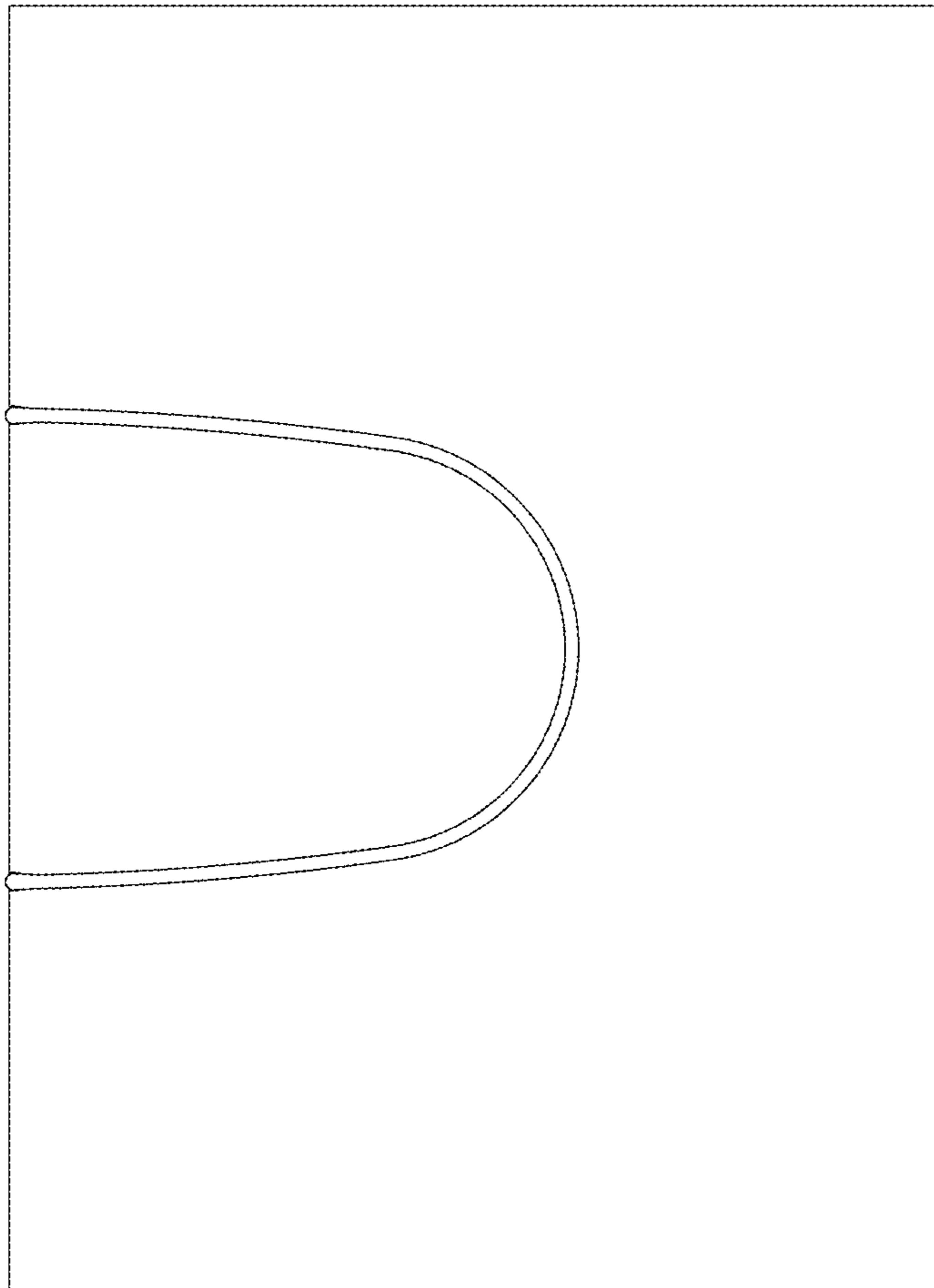
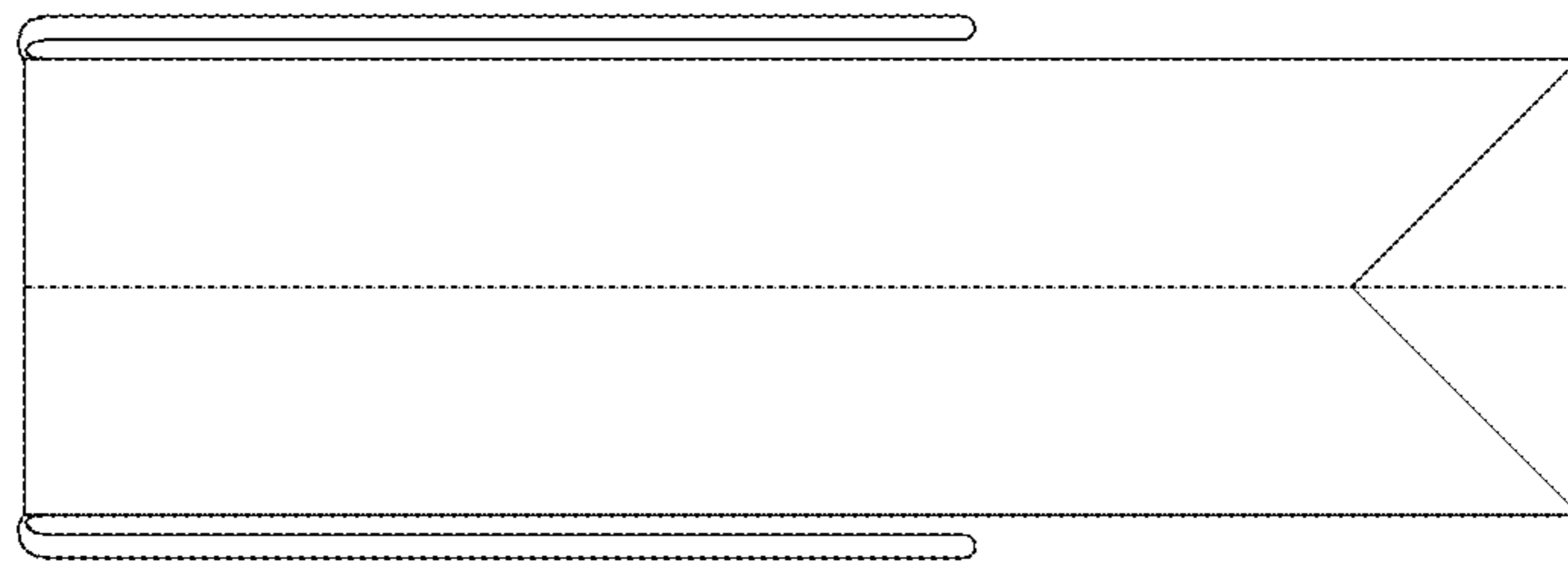


FIG. 12



**FIG. 13**

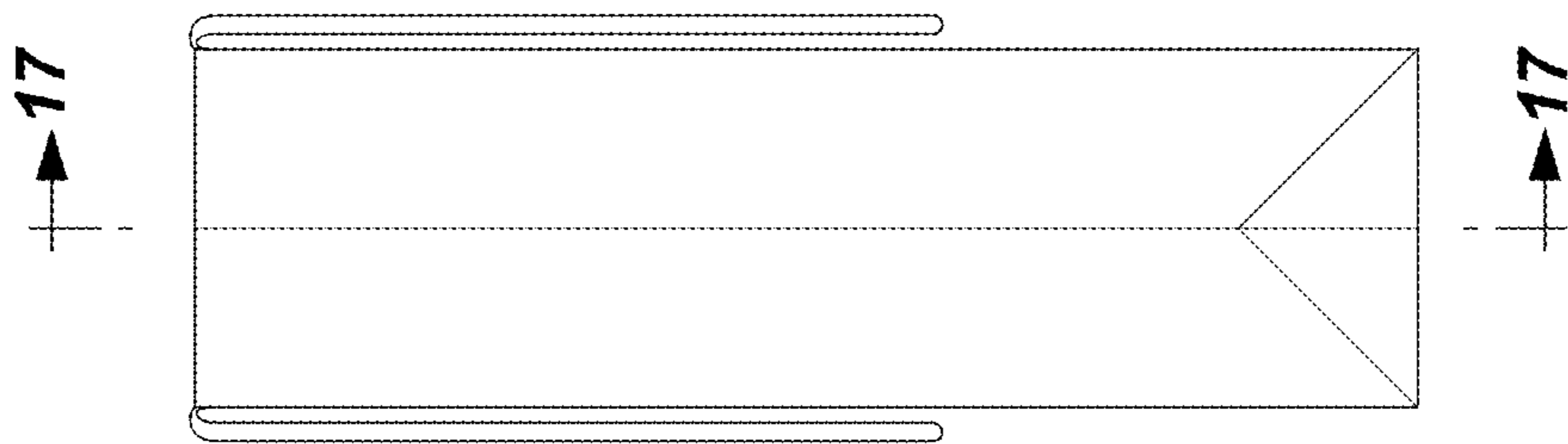
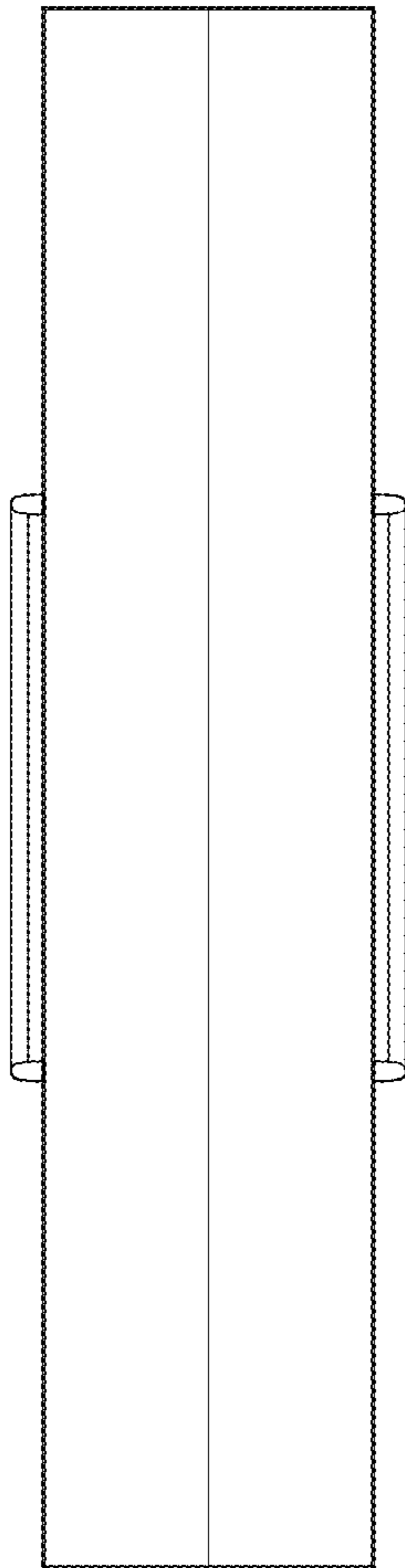
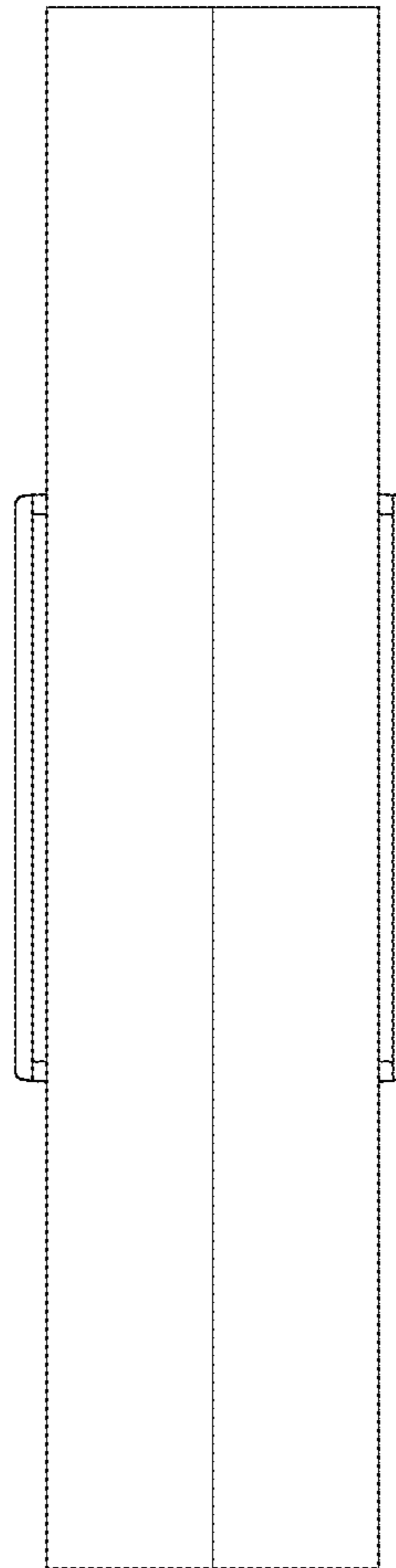


FIG. 14



**FIG. 15**



**FIG. 16**



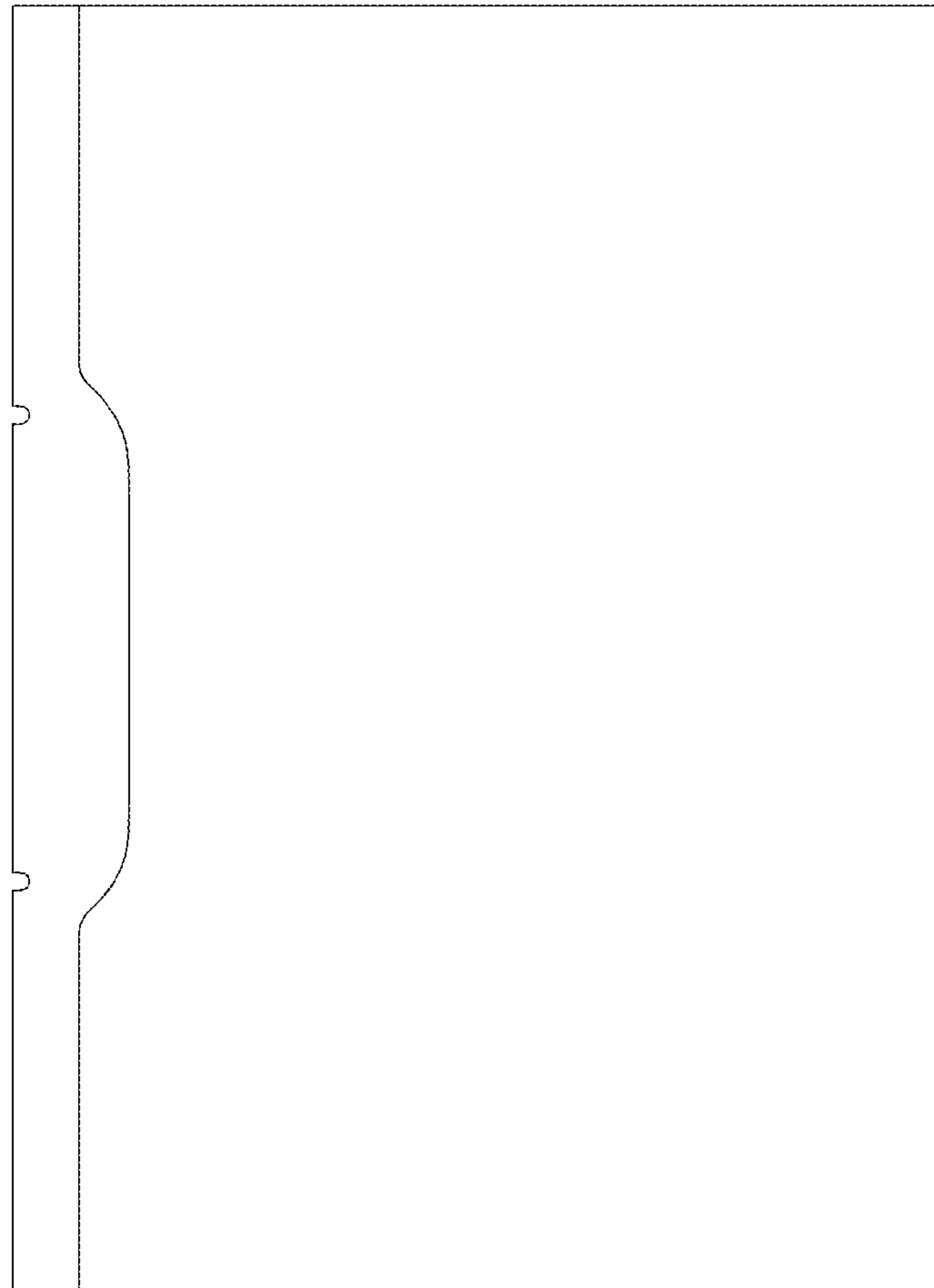
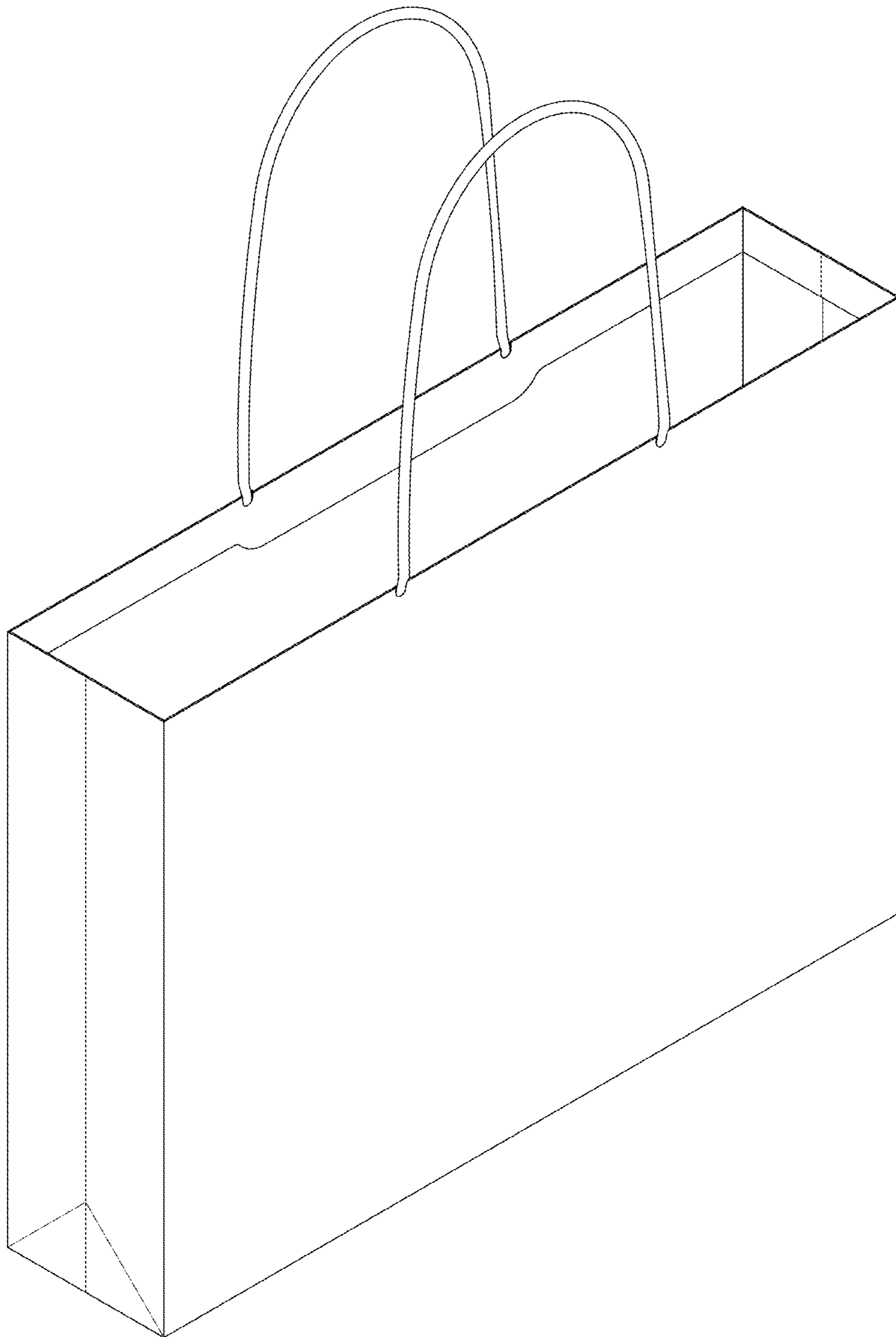


FIG. 17



**FIG. 18**