



US00D813682S

(12) **United States Design Patent**  
**Mettler et al.**

(10) **Patent No.:** **US D813,682 S**  
(45) **Date of Patent:** **\*\* Mar. 27, 2018**

- (54) **PERSONAL CARE PRODUCT CONTAINER**
- (71) Applicant: **Access Business Group International LLC**, Ada, MI (US)
- (72) Inventors: **Mark F. Mettler**, Spring Lake, MI (US); **Jay R. Dittmer**, Ada, MI (US); **Joe D. Doucet**, Brooklyn, NY (US)
- (73) Assignee: **Access Business Group International LLC**, Ada, MI (US)
- (\*\*) Term: **15 Years**
- (21) Appl. No.: **29/533,046**
- (22) Filed: **Jul. 14, 2015**

- D503,889 S \* 4/2005 Yeung ..... D9/529
- 6,923,347 B2 8/2005 Winckels
- D525,136 S \* 7/2006 Bakic ..... D28/82
- D547,661 S \* 7/2007 Blasko ..... D9/454
- D569,891 S 5/2008 Dittmer et al.
- D581,279 S \* 11/2008 Oates ..... D28/76
- D582,283 S 12/2008 O'Donahue
- D588,011 S \* 3/2009 Shimizu ..... D9/454
- D596,036 S 7/2009 Yamamoto
- D615,867 S \* 5/2010 Sagaseki ..... D9/529
- D615,868 S \* 5/2010 Rodriguez ..... D28/76
- D635,030 S \* 3/2011 L'Abbate ..... D9/529
- D638,300 S \* 5/2011 L'Abbate ..... D9/529
- D640,925 S 7/2011 Rodriguez et al.
- D651,519 S \* 1/2012 Gibson ..... D9/428
- D656,029 S \* 3/2012 Nagata ..... D9/445
- D676,324 S \* 2/2013 DeMarco ..... D9/503
- D691,888 S 10/2013 Mettler et al.

(Continued)

**Related U.S. Application Data**

- (62) Division of application No. 29/486,852, filed on Apr. 3, 2014, now Pat. No. Des. 736,643.
- (51) **LOC (11) Cl.** ..... **09-01**
- (52) **U.S. Cl.**  
USPC ..... **D9/556; D9/558**
- (58) **Field of Classification Search**  
USPC ..... D9/434-435, 444-445, 454, 516, 529,  
D9/549, 556, 558, 568, 575; D26/9-11,  
D26/22; D28/73, 76-77, 91  
CPC .. B65D 2251/0093; B65D 2543/00805; B65D  
2543/0024; B65D 51/24; B65D 1/10  
See application file for complete search history.

**References Cited**

**U.S. PATENT DOCUMENTS**

- D96,279 S 7/1935 Roerich
- 3,048,316 A 8/1962 Roos et al.
- D321,476 S 11/1991 Alcover
- D321,566 S 11/1991 Hoelterscheidt
- D498,678 S \* 11/2004 Ames ..... D28/82

*Primary Examiner* — Ian Simmons

*Assistant Examiner* — Keith Frank

(74) *Attorney, Agent, or Firm* — Warner Norcross & Judd LLP

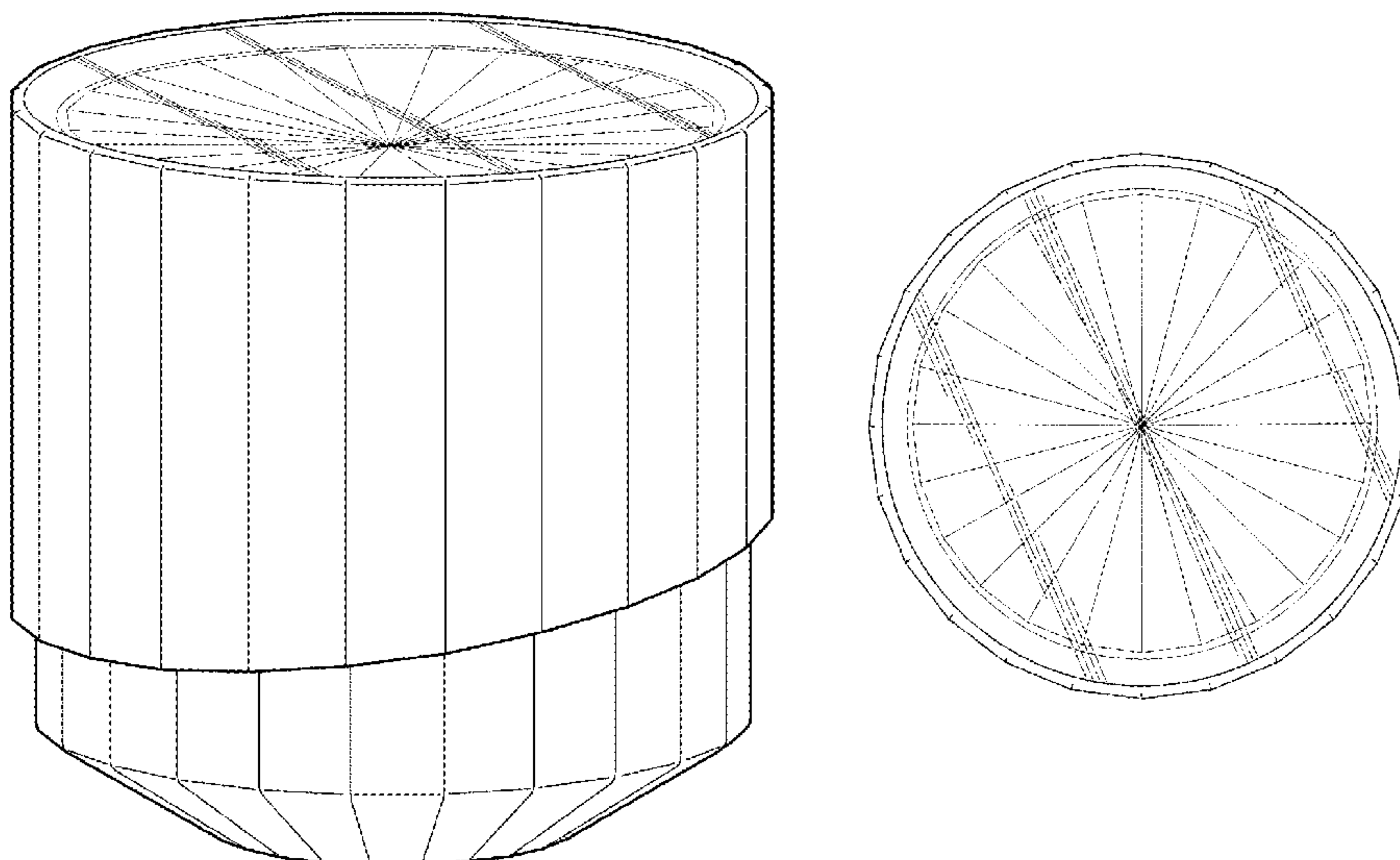
(57) **CLAIM**

We claim a personal care product container, as shown and described.

**DESCRIPTION**

FIG. 1 is a perspective view of the personal care product container embodying the new design;  
 FIG. 2 is a left side view thereof;  
 FIG. 3 is a right side view thereof;  
 FIG. 4 is a front view thereof;  
 FIG. 5 is a rear view thereof;  
 FIG. 6 is a top view thereof; and,  
 FIG. 7 is a bottom view thereof.  
 The oblique line shading in FIGS. 1 and 6 is included to indicate a transparent surface. The broken line shading in FIG. 7 forms no part of the claimed design.

**1 Claim, 5 Drawing Sheets**



(56)

**References Cited**

U.S. PATENT DOCUMENTS

D710,205 S	8/2014	Moretti	
D721,270 S	1/2015	Dittmer et al.	
D728,372 S *	5/2015	Behar .....	D9/454
D729,067 S *	5/2015	Behar .....	D9/454
D736,643 S *	8/2015	Mettler .....	D9/574
D746,147 S *	12/2015	Watabe .....	D9/445
D756,778 S *	5/2016	Velmer .....	D9/449
D757,010 S *	5/2016	Kang .....	D14/420

\* cited by examiner

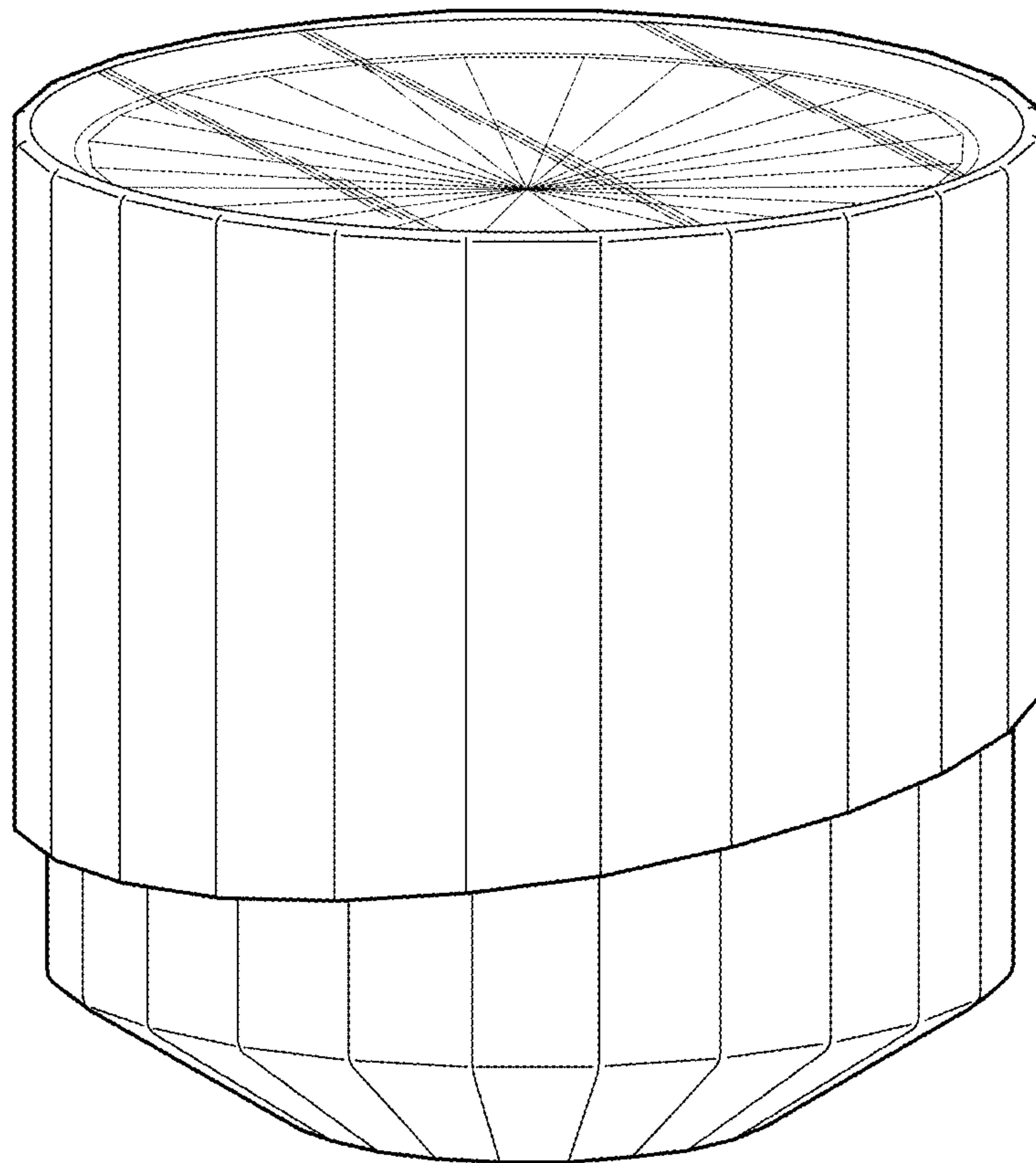


Fig. 1

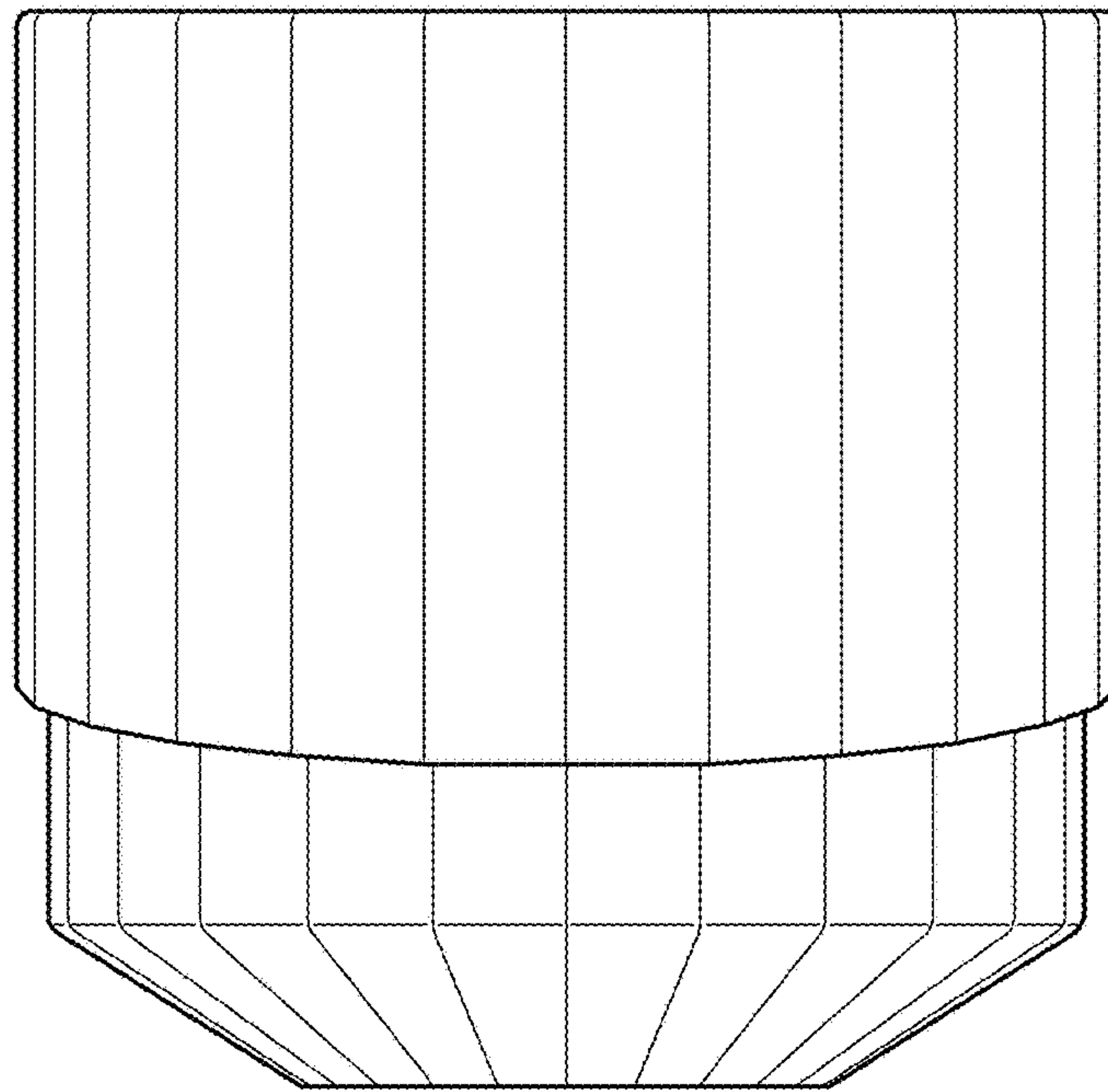


Fig. 2

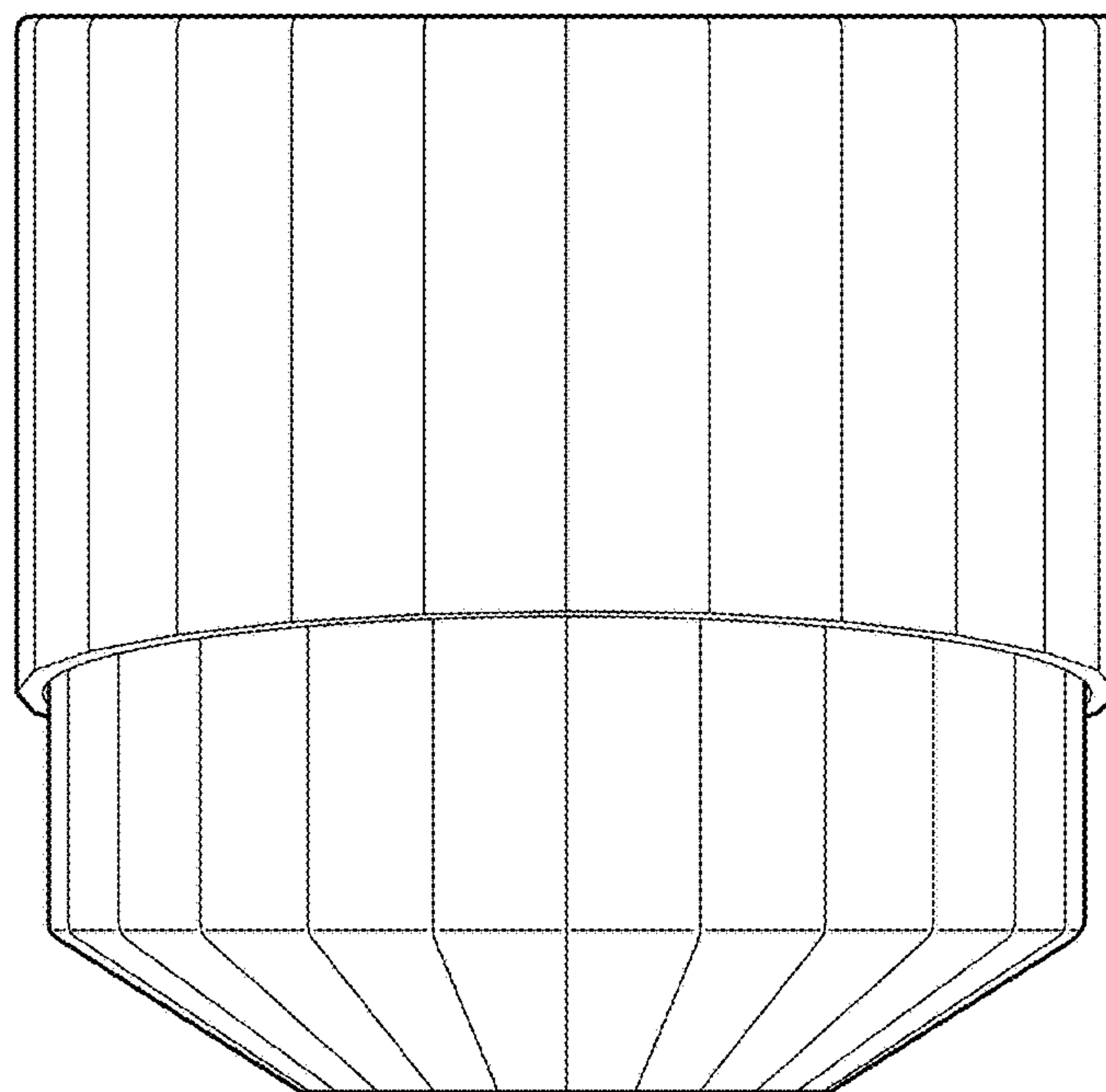


Fig. 3

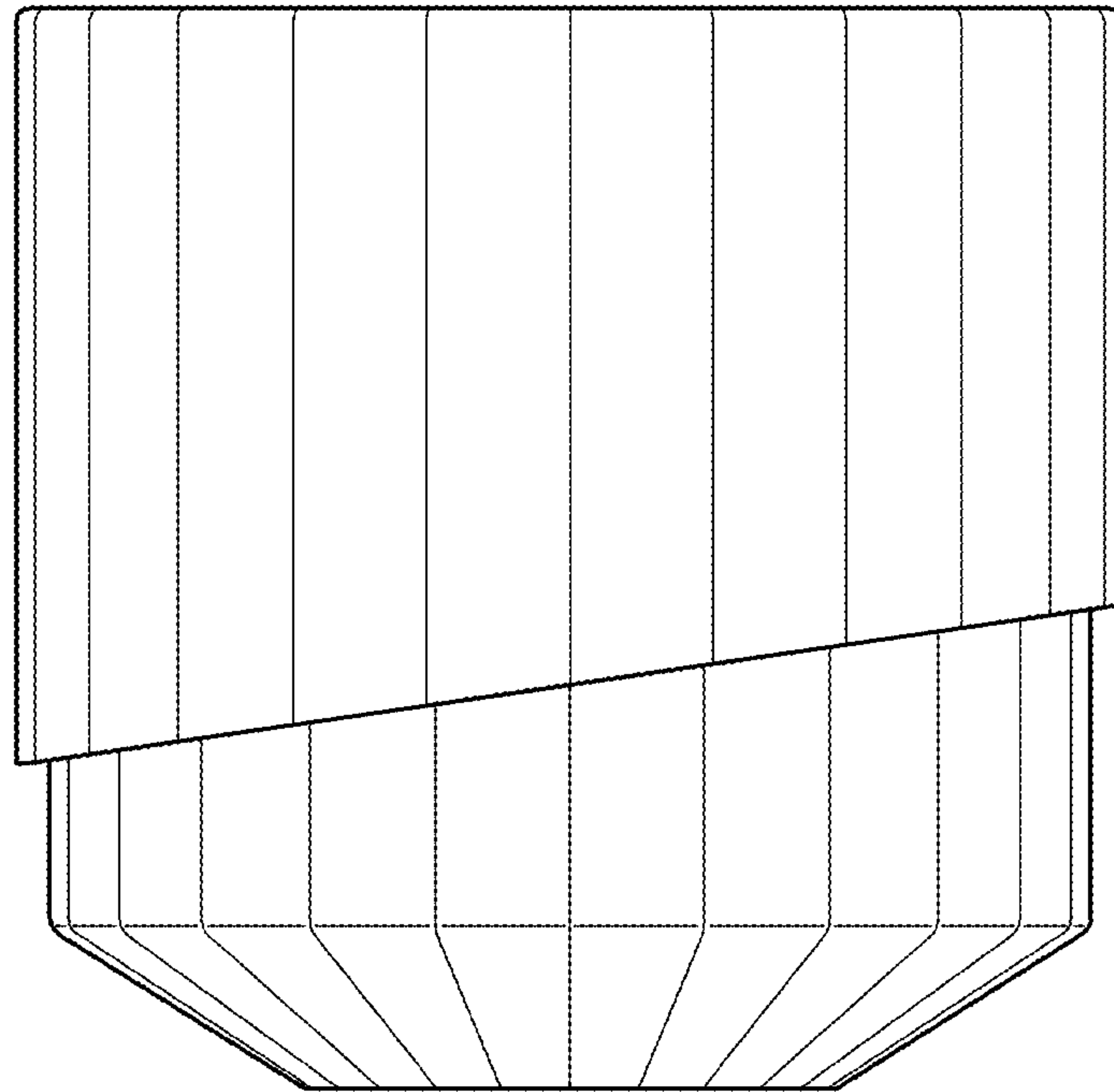


Fig. 4

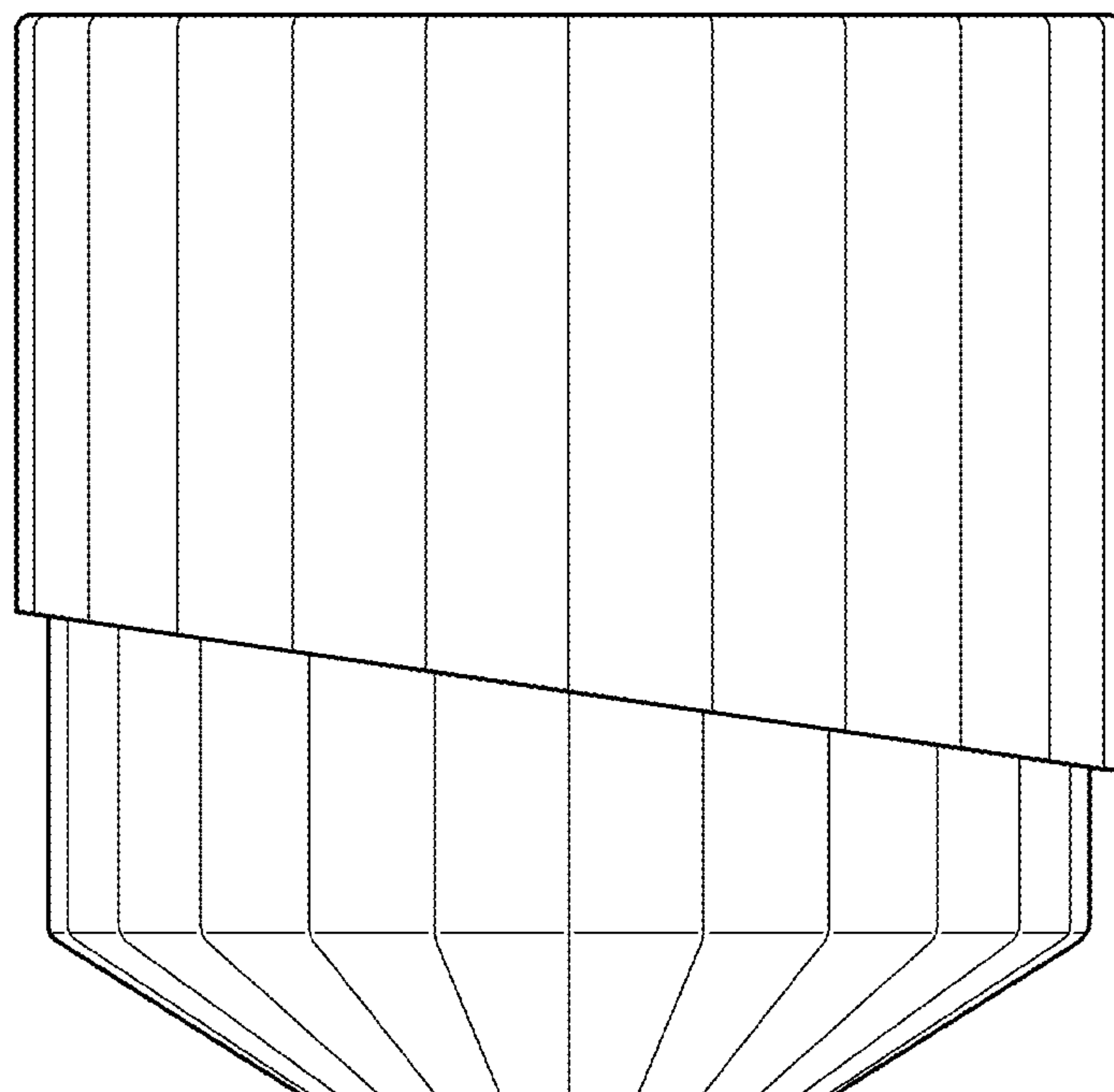


Fig. 5



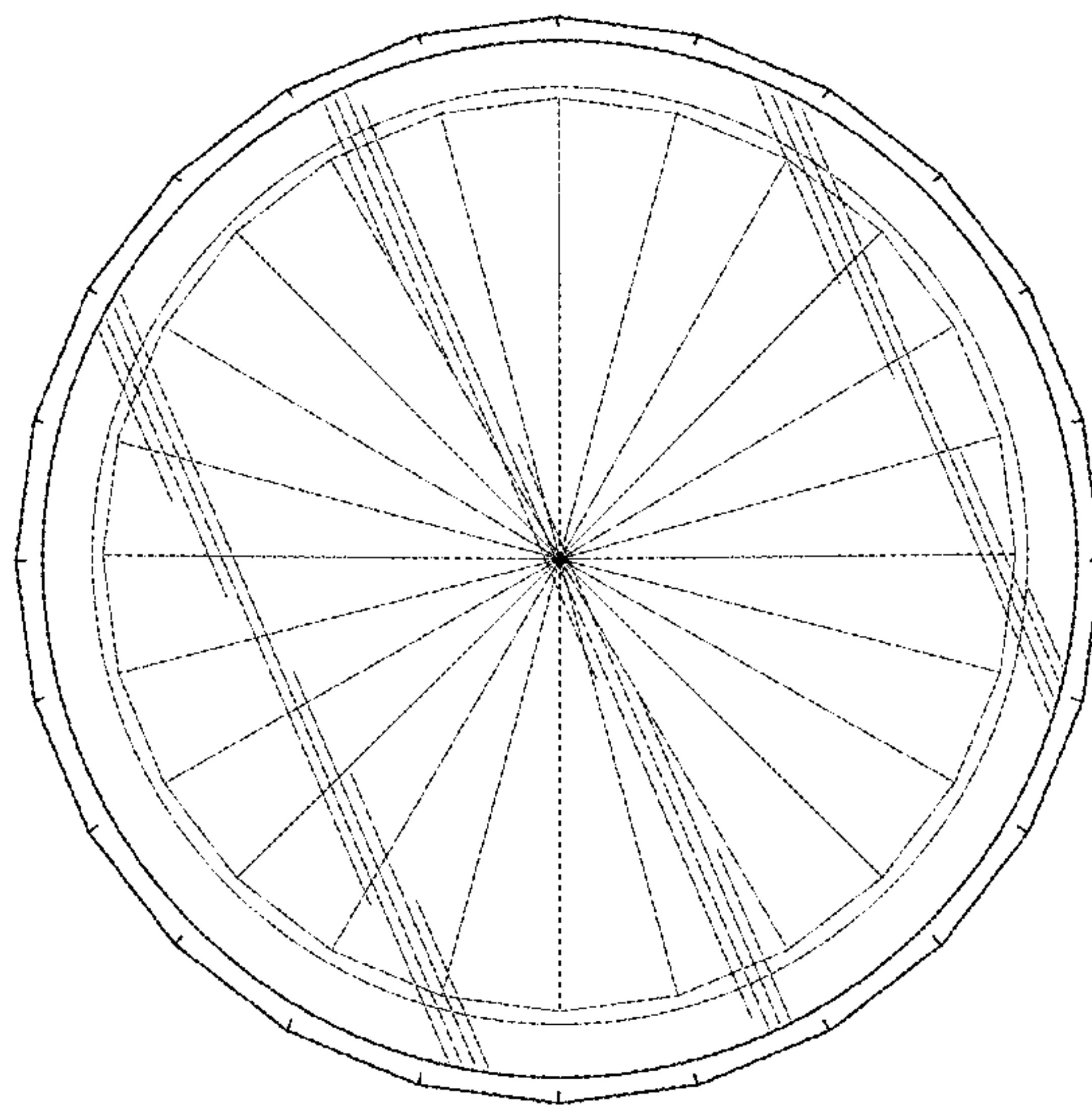


Fig. 6

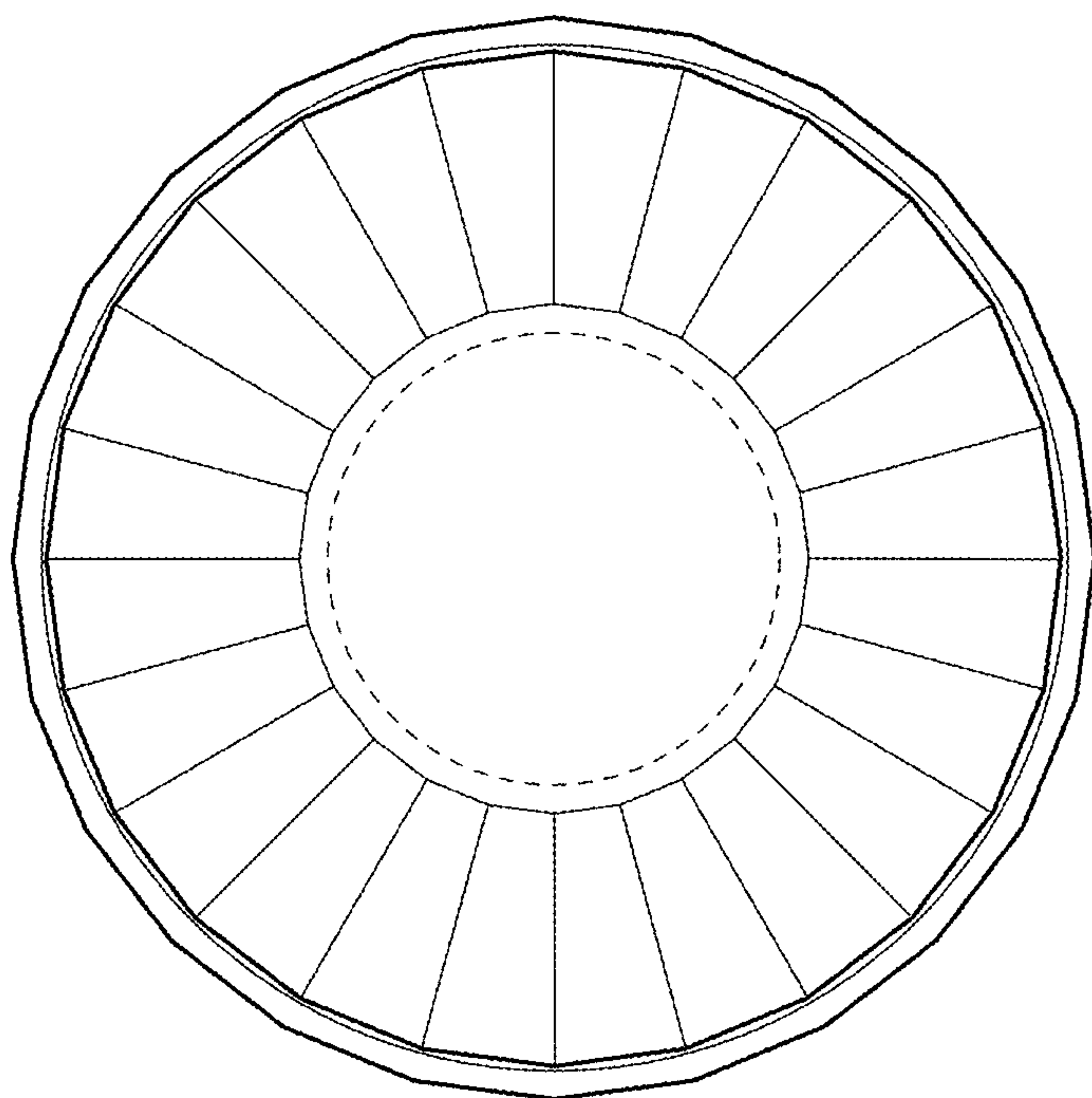


Fig. 7