



US00D813681S

(12) **United States Design Patent**
Burns et al.

(10) **Patent No.:** **US D813,681 S**
(45) **Date of Patent:** **** Mar. 27, 2018**

(54) **BOTTLE**

(71) Applicant: **Can't Live Without It, LLC**, New York, NY (US)

(72) Inventors: **Clay Allen Burns**, New York, NY (US); **Sarah Kauss**, New York, NY (US); **Mario Quintana Serrahima**, Brooklyn, NY (US)

(73) Assignee: **CAN'T LIVE WITHOUT IT, LLC**, New York, NY (US)

(**) Term: **15 Years**

(21) Appl. No.: **29/585,029**

(22) Filed: **Nov. 18, 2016**

(51) **LOC (11) Cl.** **09-01**

(52) **U.S. Cl.**
USPC **D9/549**; D9/537; D9/551

(58) **Field of Classification Search**
USPC D7/509–511, 605, 608; D9/503, 504, D9/530, 537–539, 545, 549, 574, 575; 215/6, 379, 381–384, 388; 220/660, 662, 220/669–673, 675
CPC A45D 34/041; A61H 23/02; A61H 2015/0064; A61H 2201/0107; A61H 2201/105

See application file for complete search history.

(56) **References Cited**

U.S. PATENT DOCUMENTS

D285,533 S * 9/1986 Berish D9/503
D375,655 S * 11/1996 King D7/510
D418,758 S 1/2000 Yucknut

(Continued)

FOREIGN PATENT DOCUMENTS

EM 002384727 11/2014
EM 002774513 2/2015

Primary Examiner — Derrick E Holland

Assistant Examiner — Janice Julia Patyk

(74) *Attorney, Agent, or Firm* — Kilpatrick Townsend & Stockton LLP

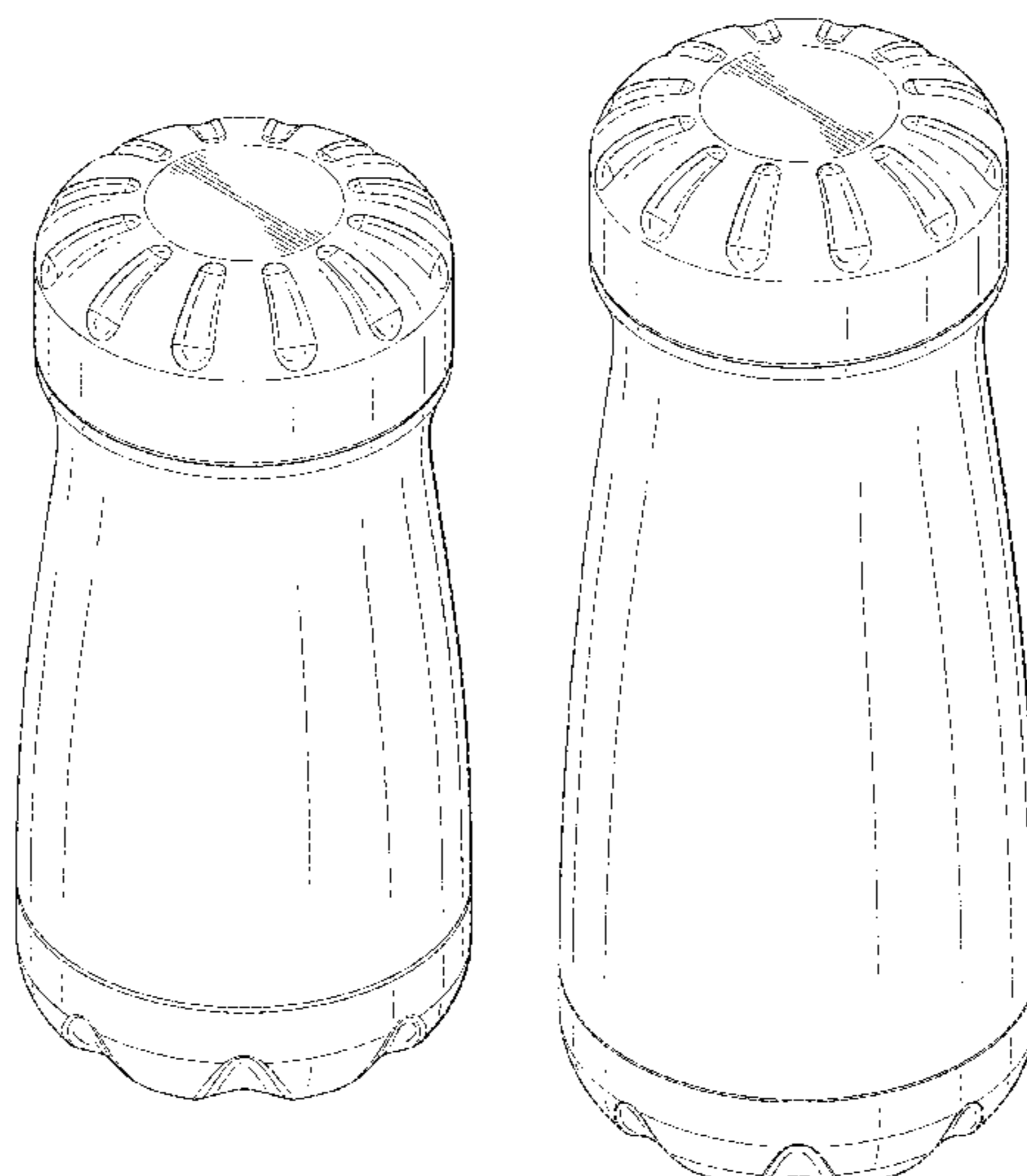
(57) **CLAIM**

The ornamental design for a bottle, as shown and described.

DESCRIPTION

FIG. 1 is a front perspective view of embodiment one, of a bottle, showing our new design;
FIG. 2 is a left-side elevational view of embodiment one;
FIG. 3 is a right-side elevational view of embodiment one;
FIG. 4 is a front view of embodiment one;
FIG. 5 is a back view of embodiment one;
FIG. 6 is a top view of embodiment one;
FIG. 7 is a bottom view of embodiment one;
FIG. 8 is a front perspective view of embodiment two, of a bottle, showing our new design;
FIG. 9 is a left-side elevational view of embodiment two;
FIG. 10 is a right-side elevational view of embodiment two;
FIG. 11 is a front view of embodiment two;
FIG. 12 is a back view of embodiment two;
FIG. 13 is a top view of embodiment two;
FIG. 14 is a bottom view of embodiment two;
FIG. 15 is a front perspective view of embodiment three, of a bottle showing our new design;
FIG. 16 is a left-side elevational view of embodiment three;
FIG. 17 is a right-side elevational view of embodiment three;
FIG. 18 is a front view of embodiment three;
FIG. 19 is a back view of embodiment three;
FIG. 20 is a top view of embodiment three; and,
FIG. 21 is a bottom view of embodiment three.
The broken lines in the figures illustrate the portions of the design that form no part of the claimed design.

1 Claim, 18 Drawing Sheets



(56)

References Cited

U.S. PATENT DOCUMENTS

D437,229	S	2/2001	Andrew	
D456,218	S	4/2002	Hatsumoto	
D574,242	S *	8/2008	Lin	D9/500
D582,278	S *	12/2008	Bourne	D9/504
7,594,588	B2 *	9/2009	Auer	B65D 43/0212
				215/216
D625,192	S *	10/2010	Kooser	D9/452
D626,417	S *	11/2010	Kim	D9/453
D660,705	S *	5/2012	Simmons	D9/449
D668,509	S *	10/2012	Beugelsdijk	D7/400
D676,280	S *	2/2013	Wong	D7/510
D682,701	S	5/2013	Stephan et al.	
D690,200	S	9/2013	Arand et al.	
D692,277	S *	10/2013	Smiedt	D7/510
D732,676	S *	6/2015	Prentice	D24/197
D732,964	S *	6/2015	Dyer	D7/392.1
2005/0211661	A1	9/2005	Galownia et al.	

* cited by examiner

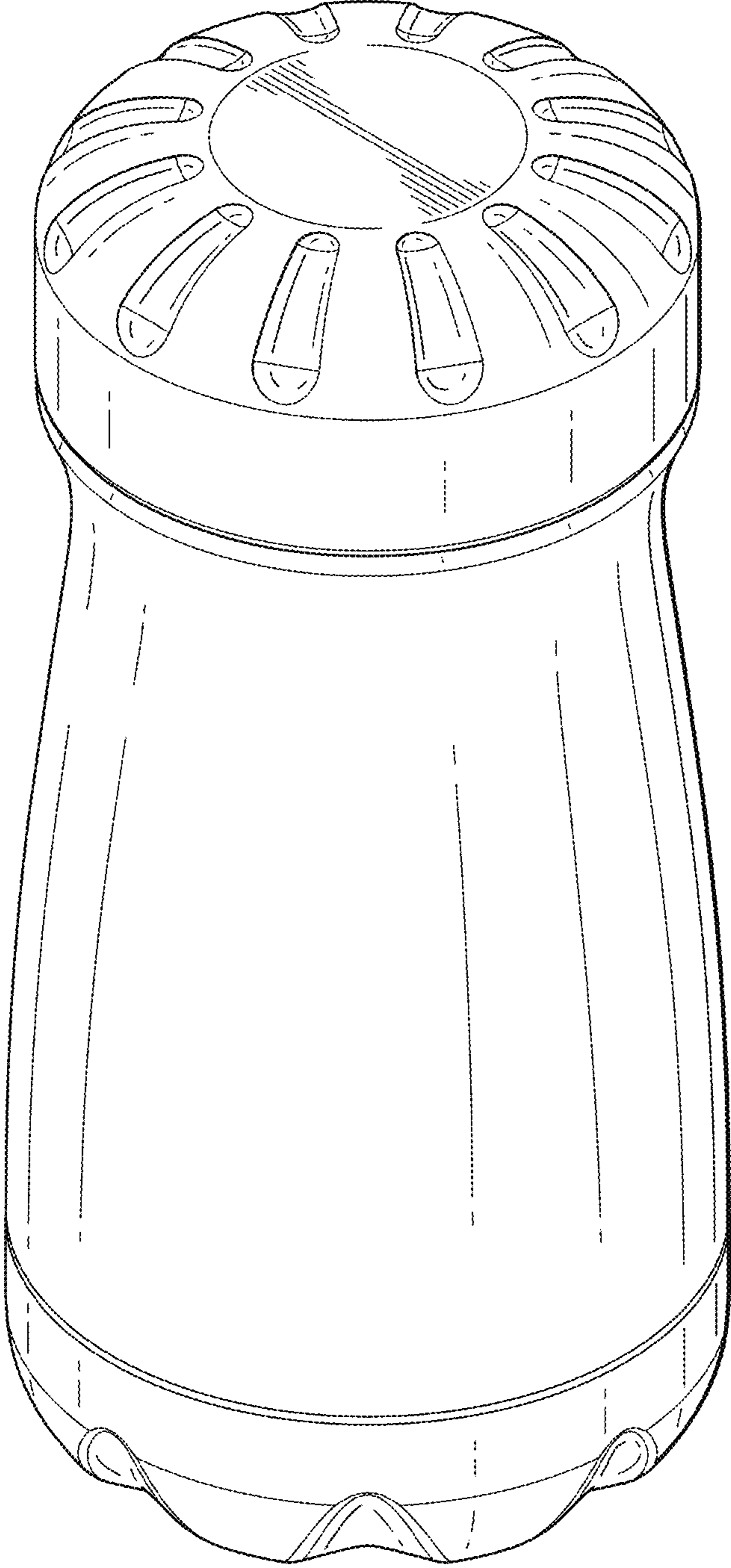


FIG. 1

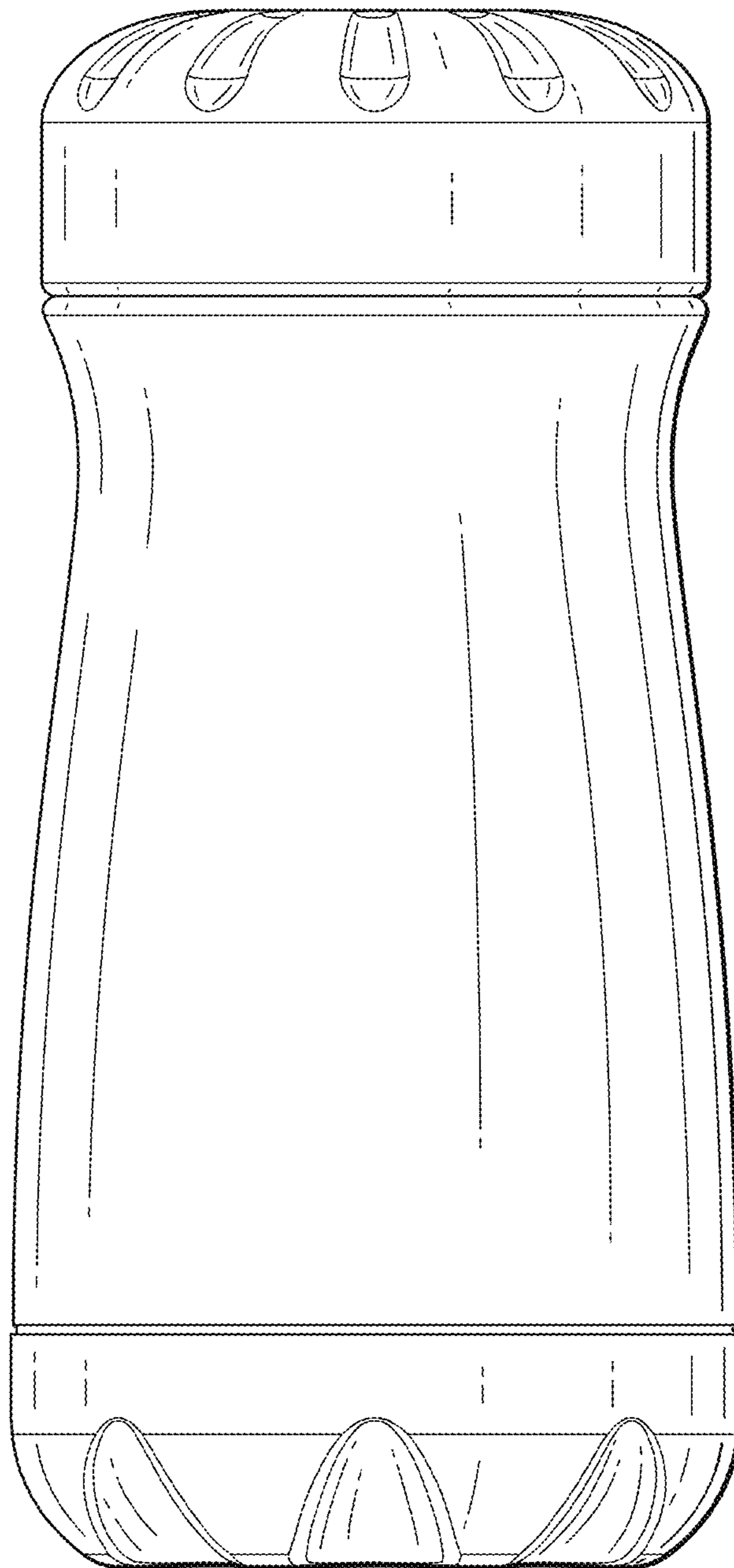


FIG. 2

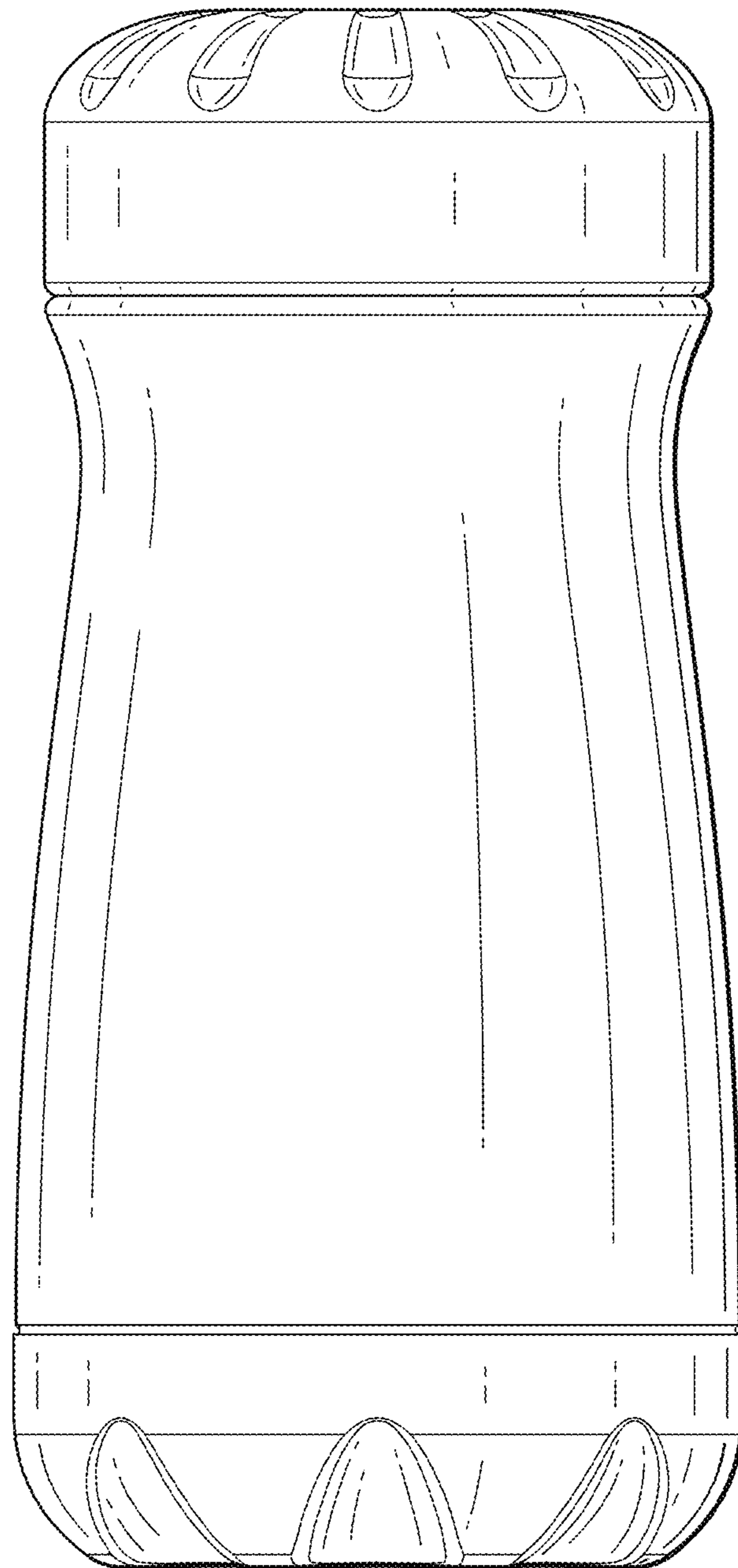


FIG. 3

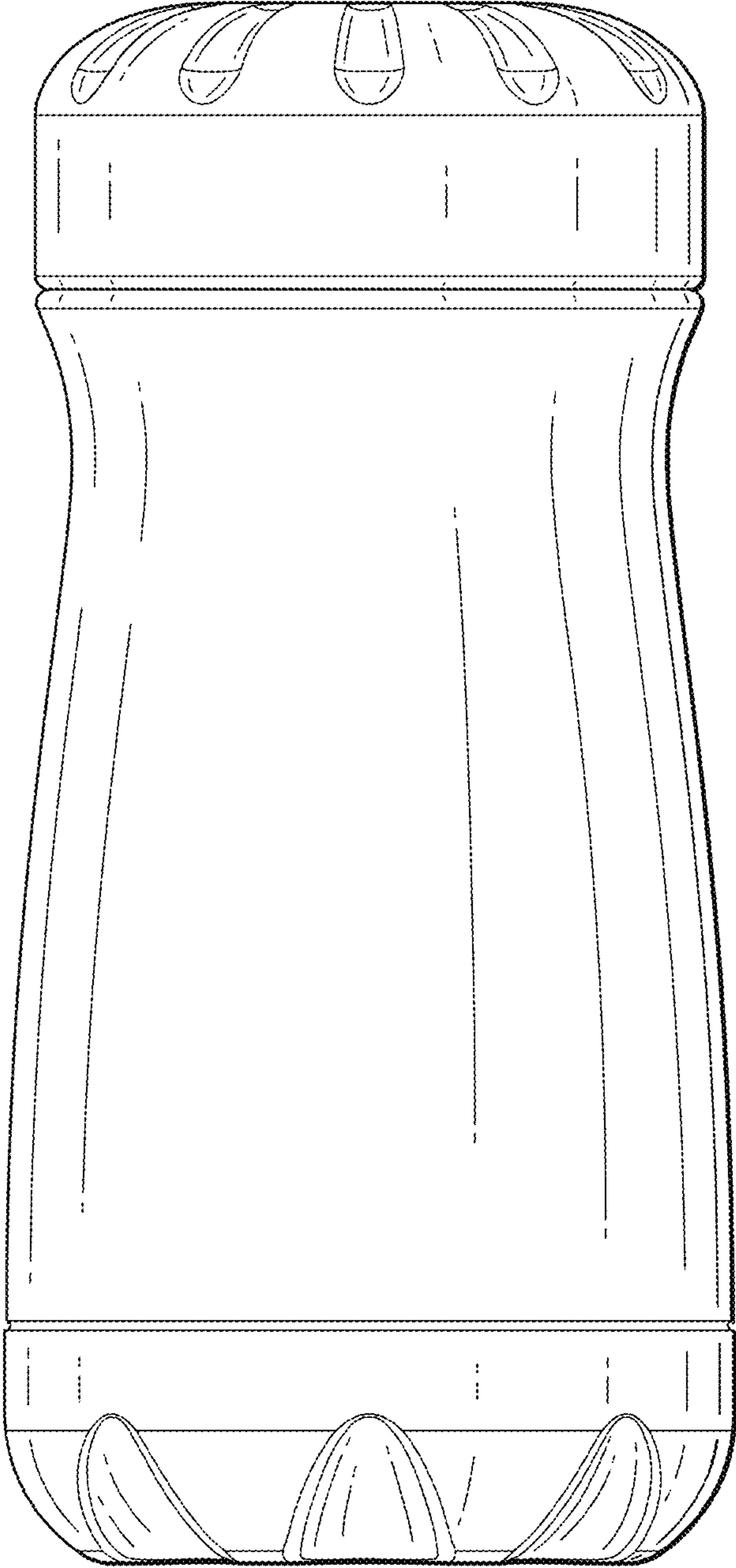


FIG. 4



FIG. 5

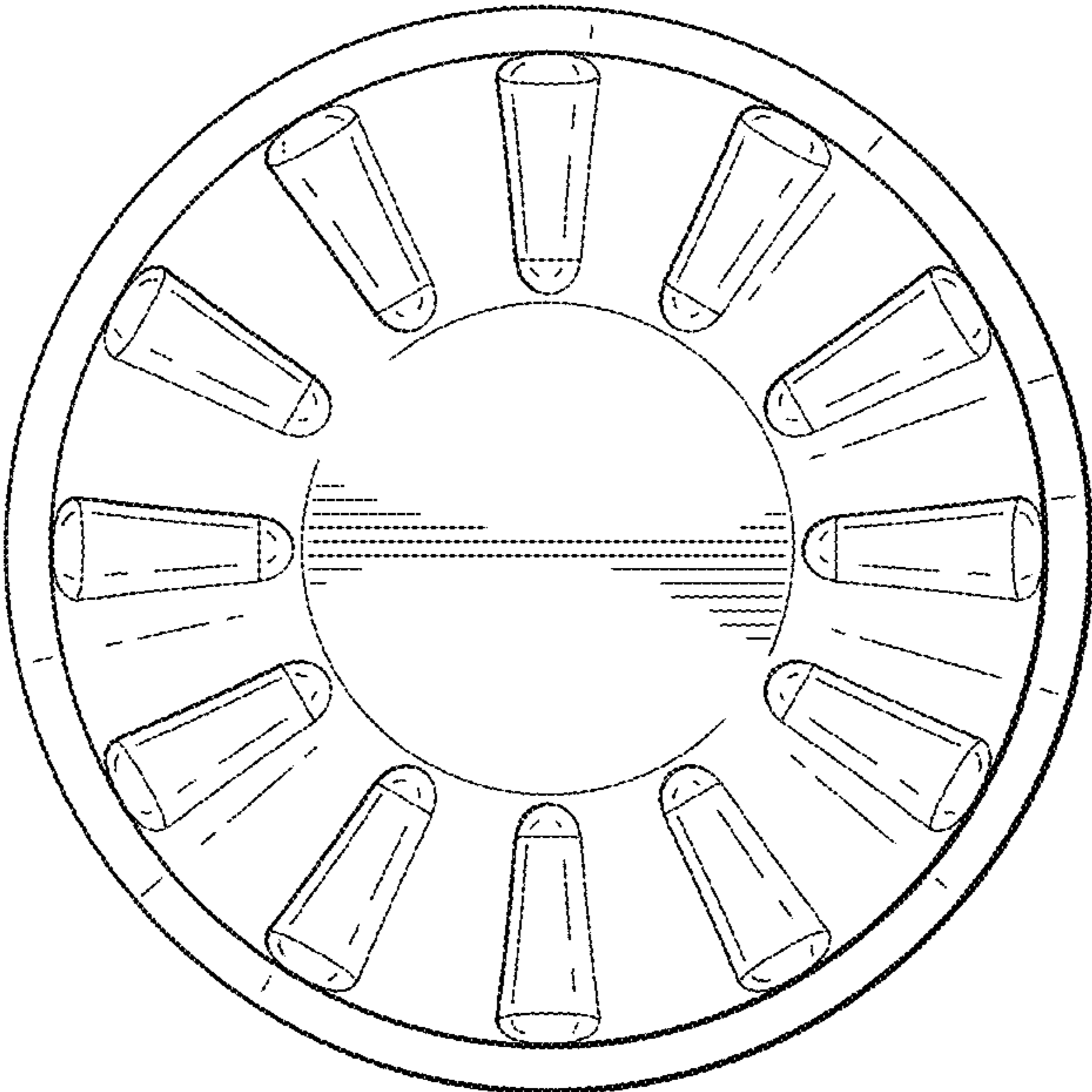


FIG. 6

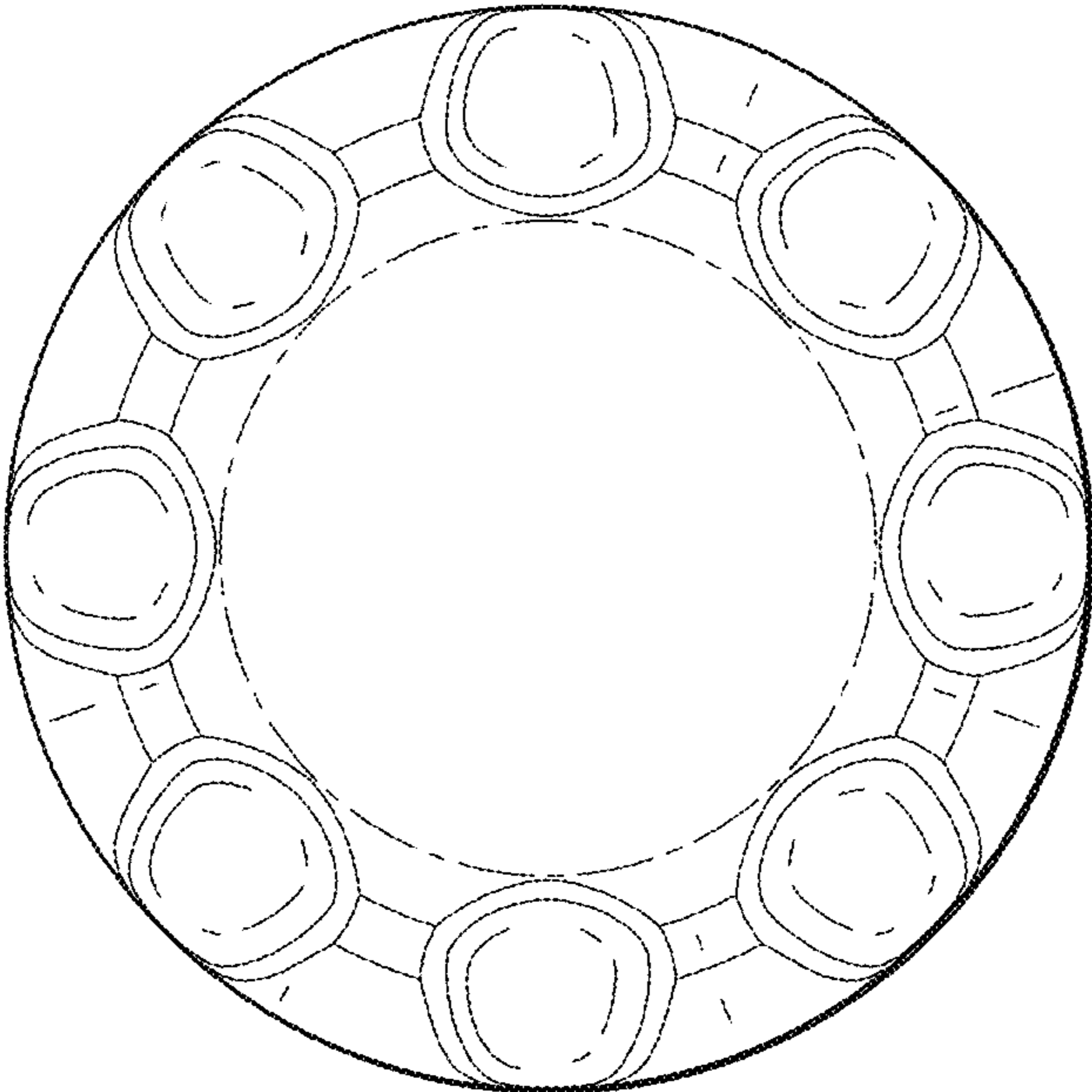


FIG. 7

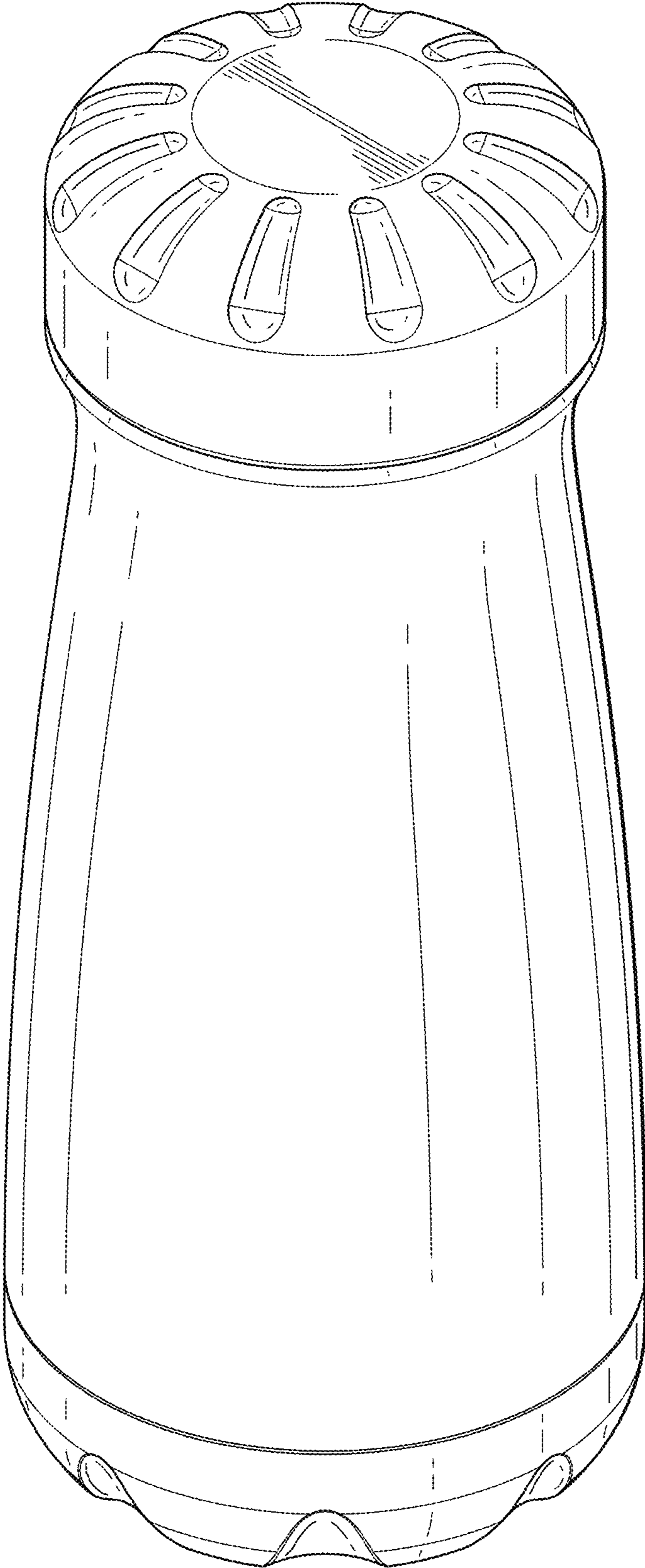


FIG. 8

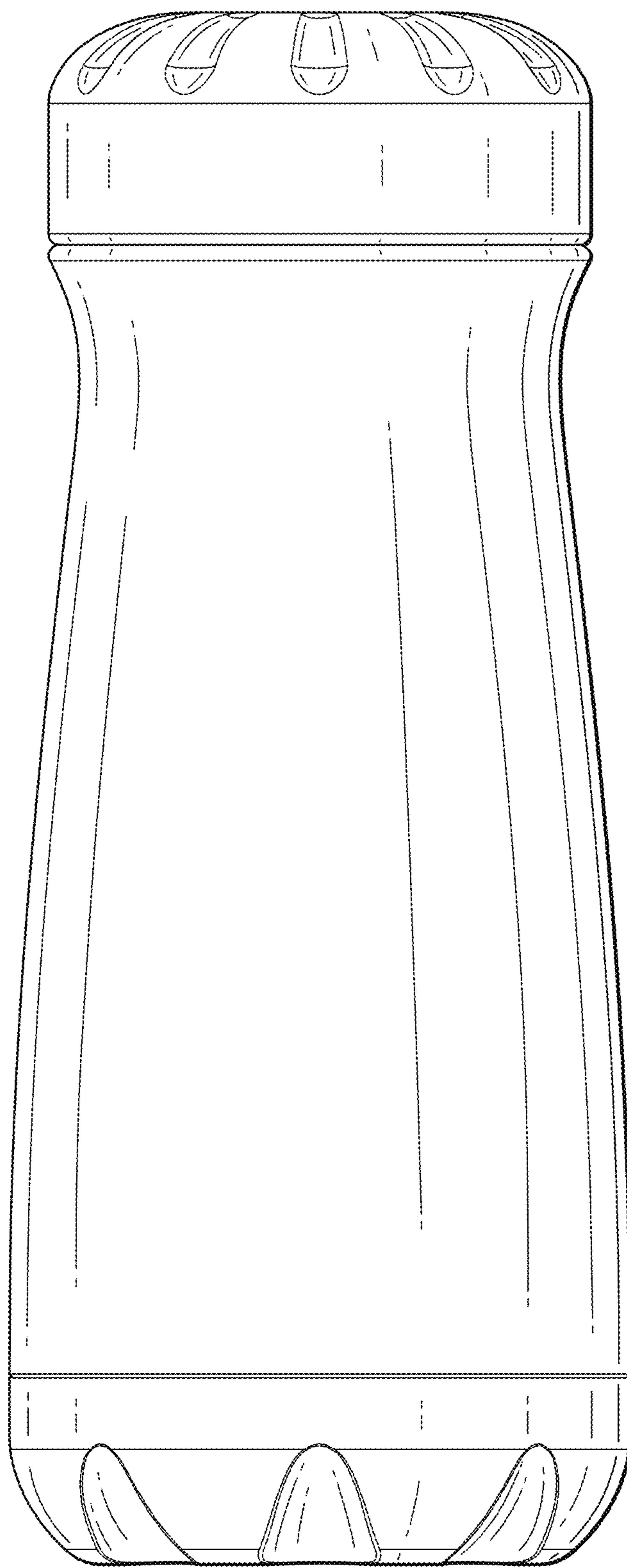


FIG. 9

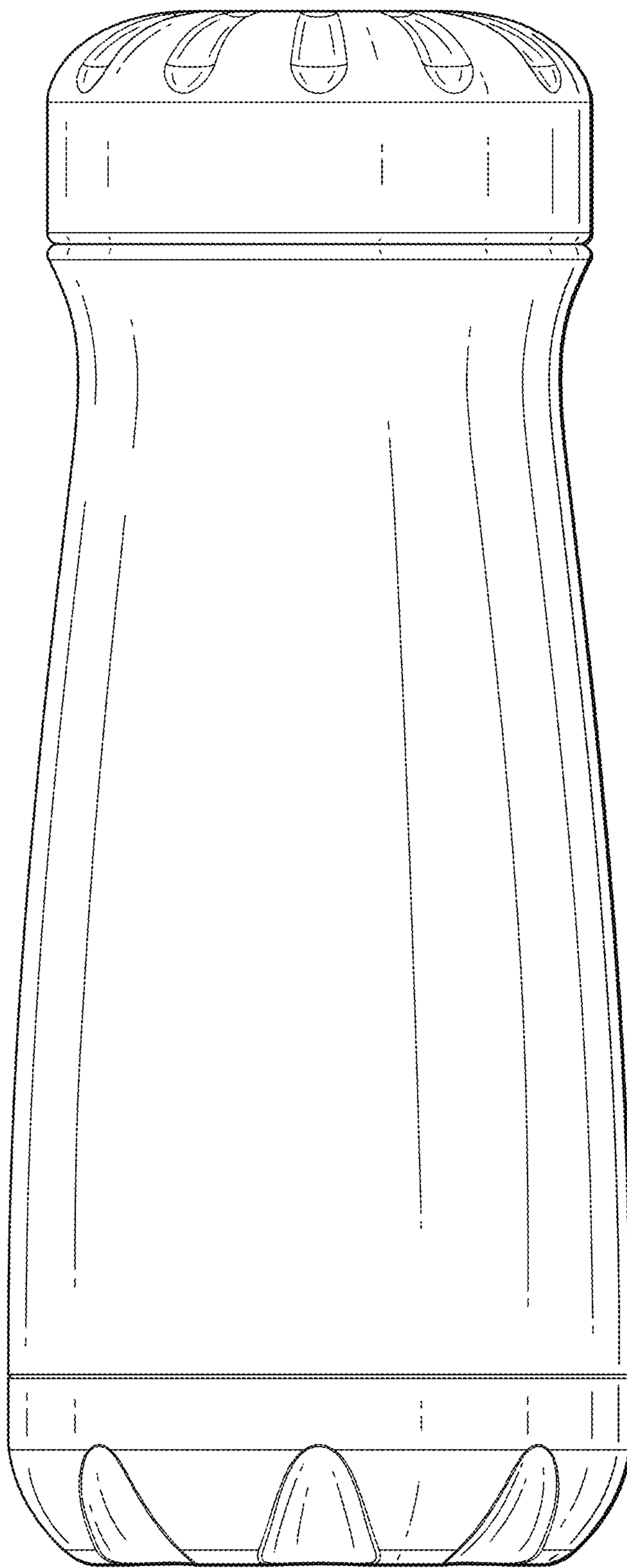


FIG. 10

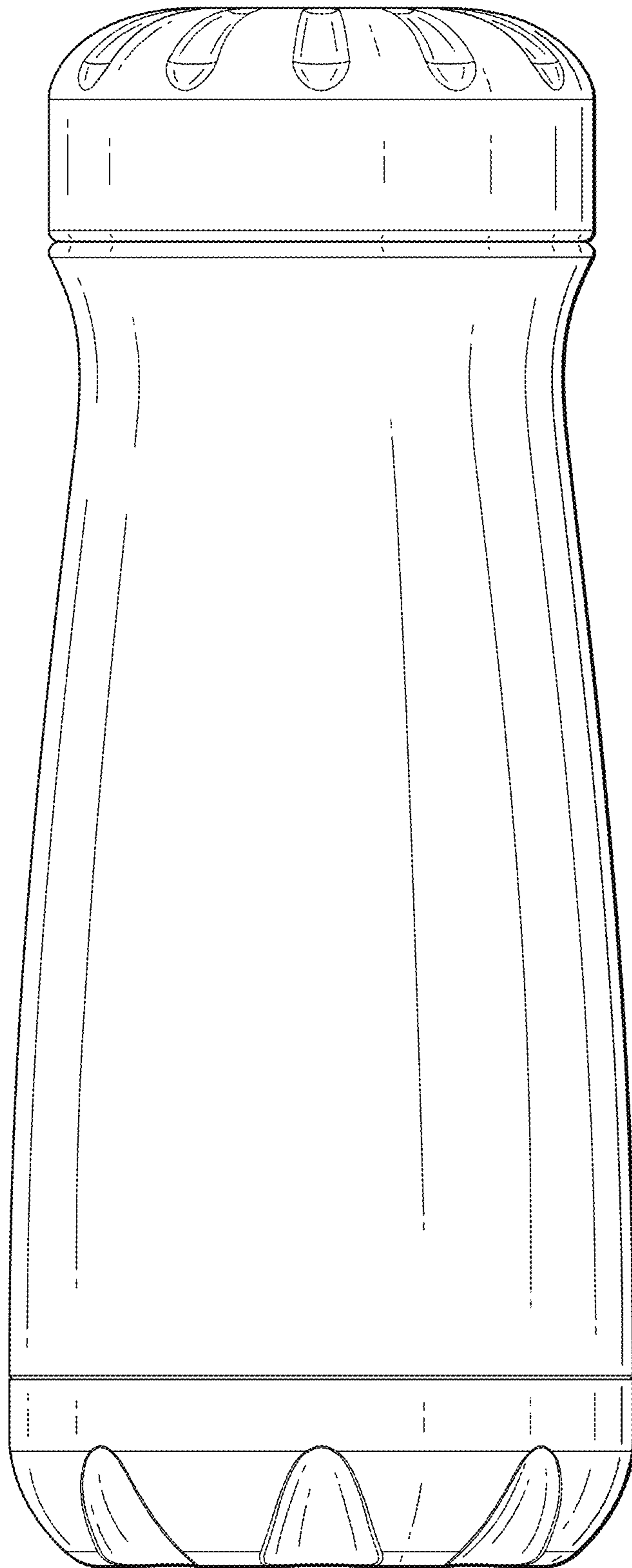


FIG. 11

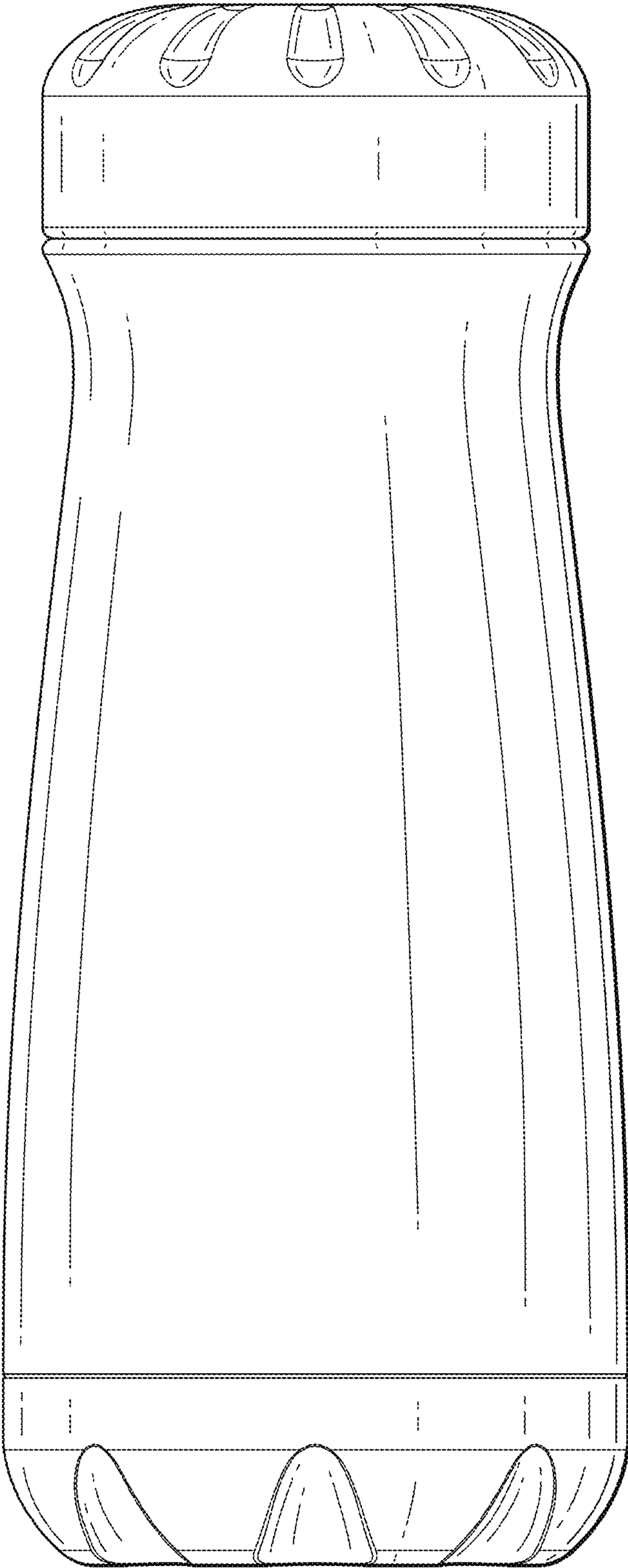


FIG. 12

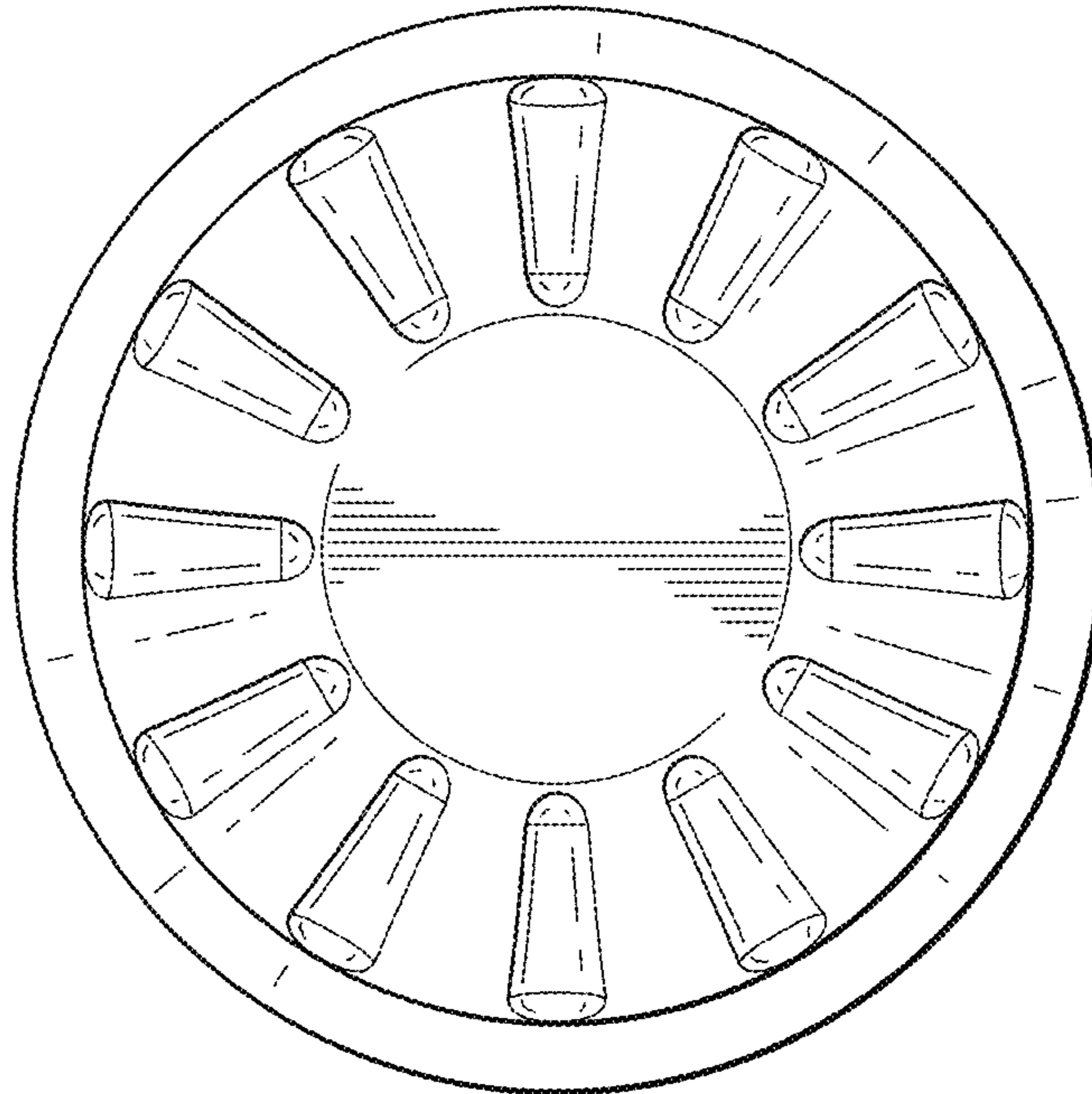


FIG. 13

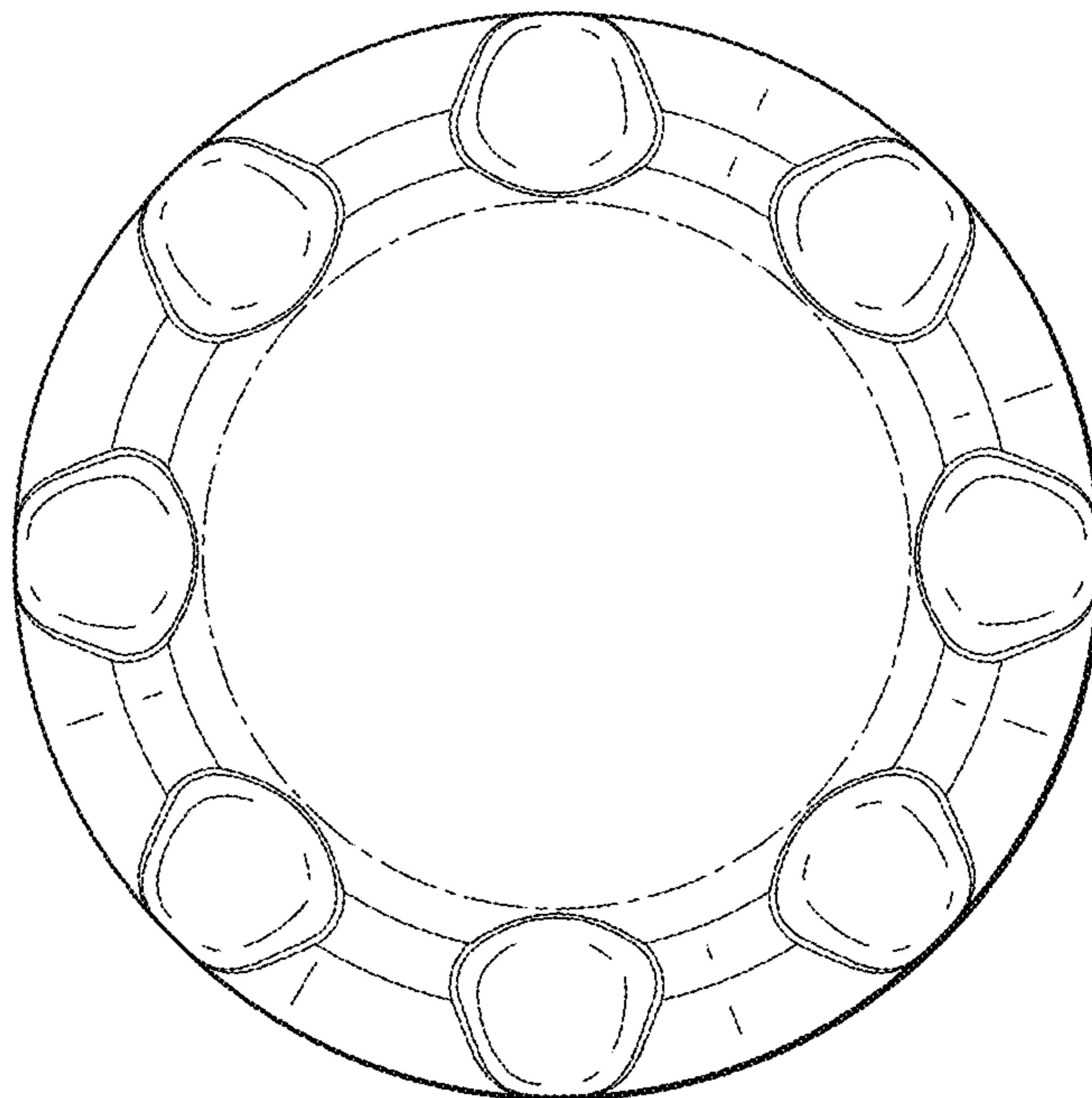


FIG. 14



FIG. 15

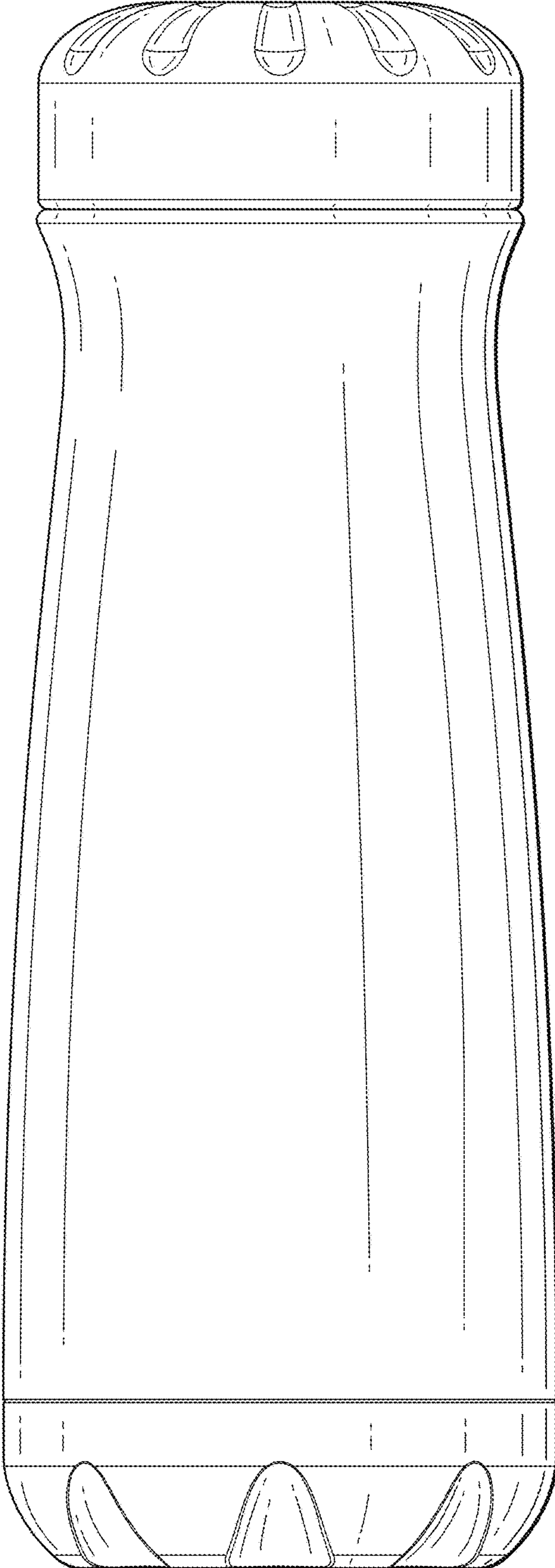


FIG. 16

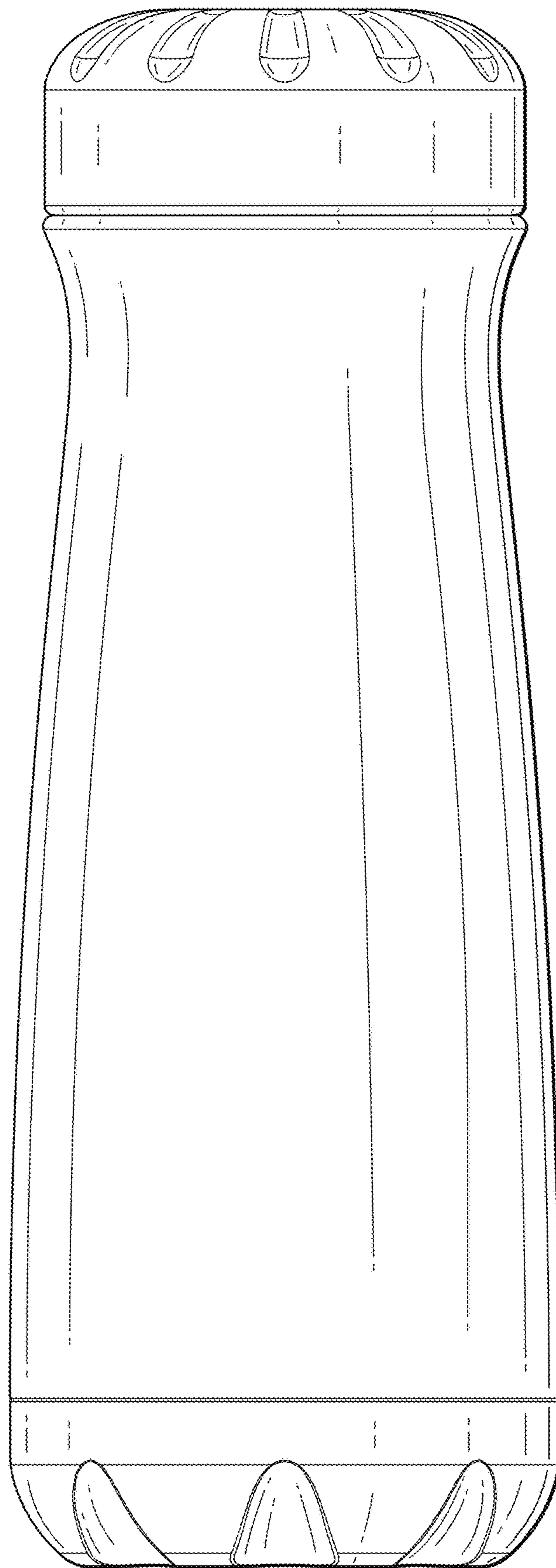


FIG. 17



FIG. 18

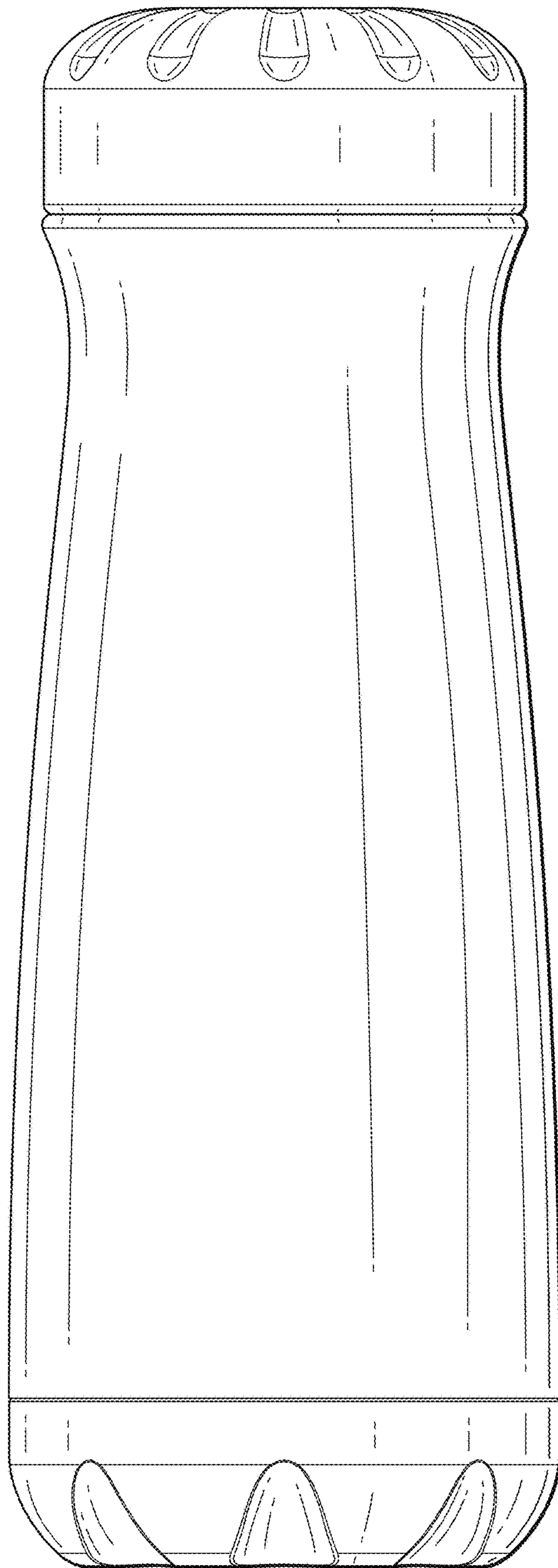


FIG. 19

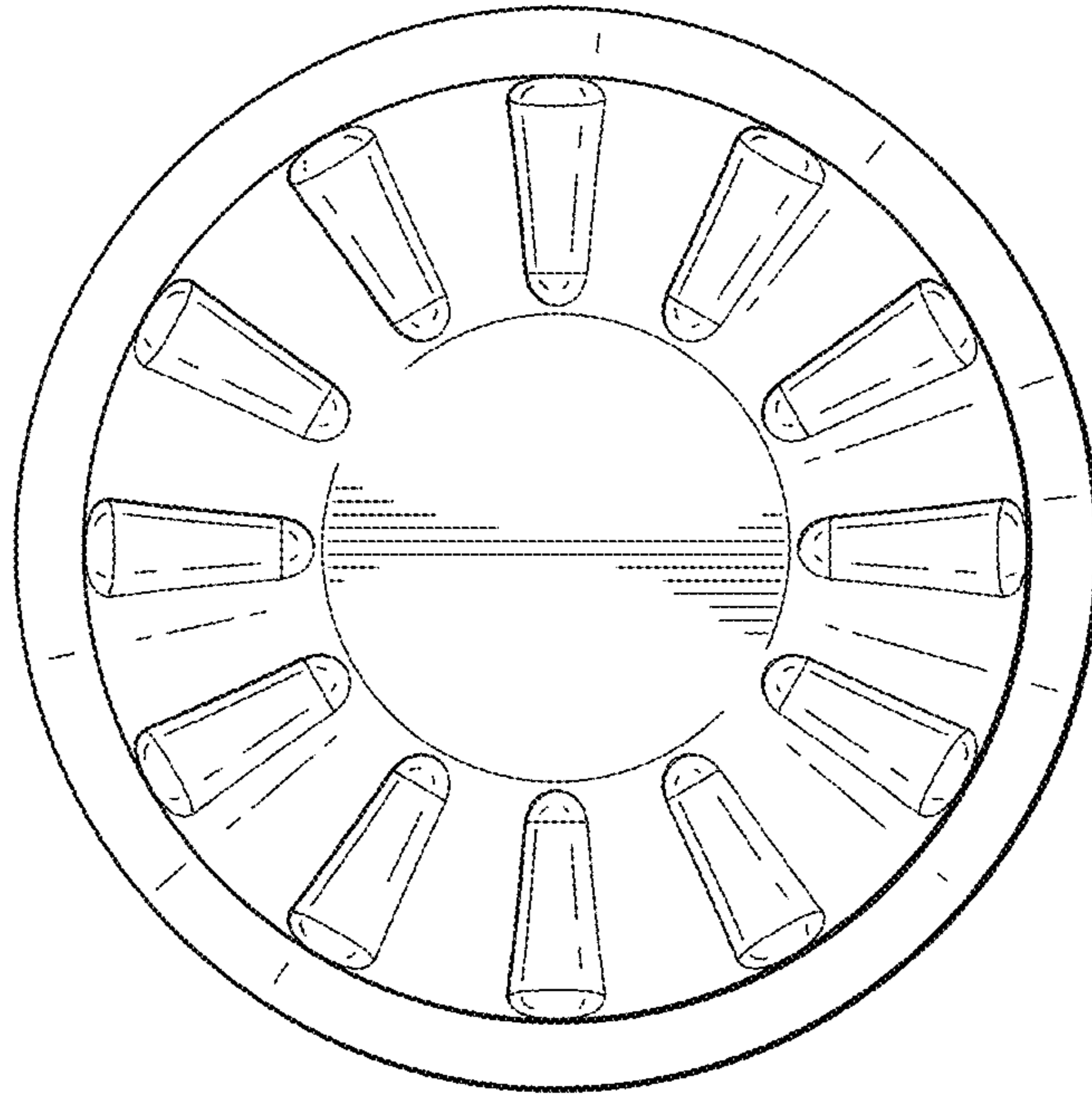


FIG. 20

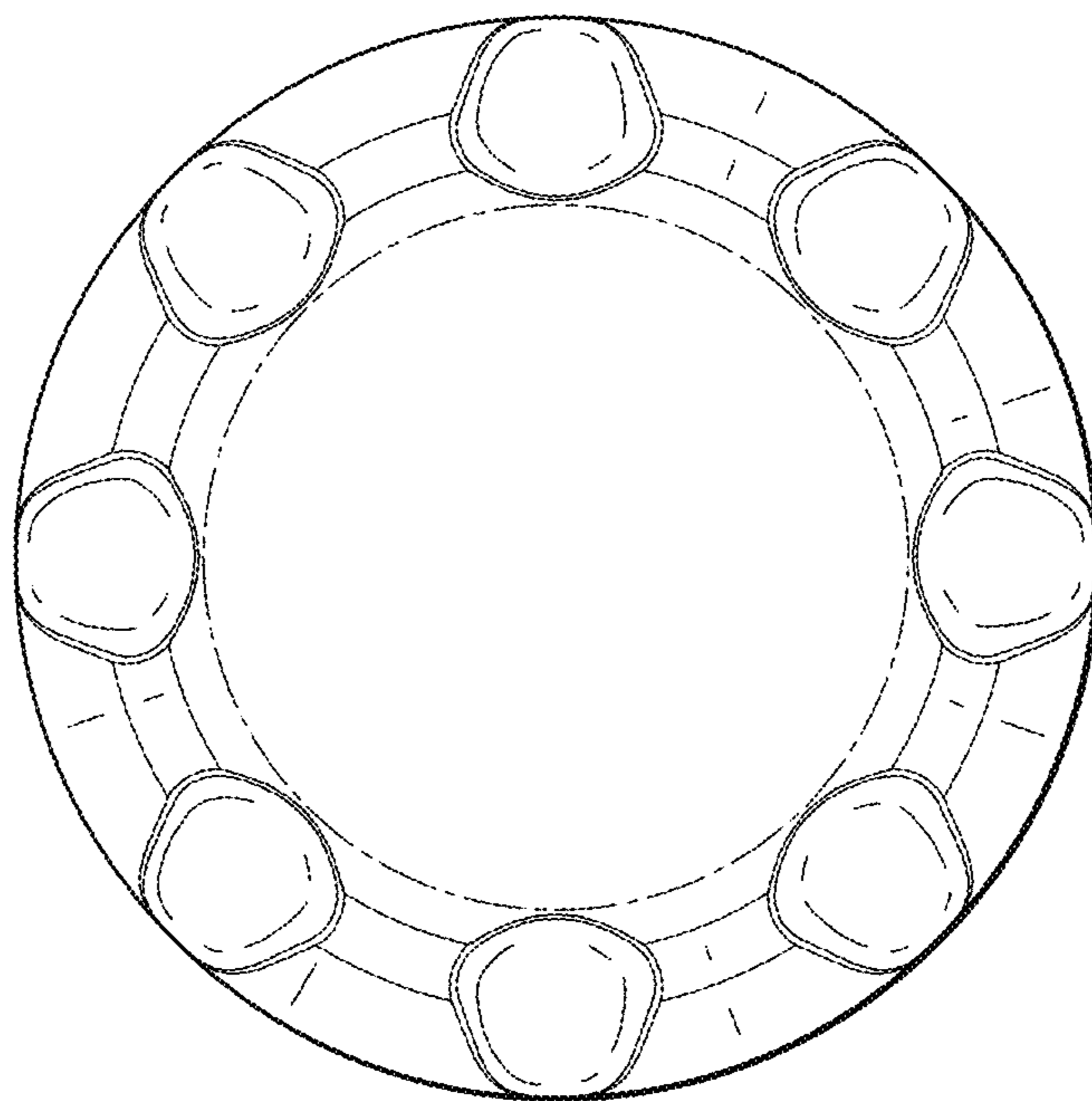


FIG. 21