



US00D813680S

(12) **United States Design Patent**
Bryant et al.

(10) **Patent No.:** **US D813,680 S**
(45) **Date of Patent:** **** Mar. 27, 2018**

- (54) **SQUEEZABLE BOTTLE**
- (71) Applicant: **Sabra Dipping Company, LLC**,
Colonial Heights, VA (US)
- (72) Inventors: **Michael Bryant**, Moseley, VA (US);
Gregory M. Hurley, Jackson, MI (US);
Richard J. Steih, Jackson, MI (US);
Megan C. Eminger, Ypsilanti, MI (US)
- (73) Assignee: **Sabra Dipping Company, LLC**,
Colonial Heights, VA (US)
- (**) Term: **15 Years**
- (21) Appl. No.: **29/574,068**
- (22) Filed: **Aug. 11, 2016**
- (51) **LOC (11) Cl.** **09-01**
- (52) **U.S. Cl.**
USPC **D9/542**; D9/549; D9/572
- (58) **Field of Classification Search**
USPC D9/434-436, 454, 516, 520, 529, 530,
D9/537, 540-545, 549, 551, 558, 572,
D9/573, 682-694, 715, 719, 728, 730;
D7/589, 590, 665
CPC B65D 47/06; B65D 83/28; B65D 83/68;
B65D 11/04; B65D 11/10; B65D 25/42;
B65D 2501/0081
See application file for complete search history.

(56) **References Cited**

U.S. PATENT DOCUMENTS

- D372,199 S * 7/1996 Lathrop D9/558
- D414,117 S 9/1999 Mikla
- D447,057 S * 8/2001 Bezek D9/504
- D447,418 S * 9/2001 Bezek D9/445
- D447,693 S * 9/2001 Warner D9/450
- D449,001 S * 10/2001 Boussiquet D9/539
- D459,659 S 7/2002 Chung
- D468,211 S * 1/2003 Harris D9/530

- D473,143 S * 4/2003 McClure D9/537
- D497,810 S 11/2004 Maus
- D498,680 S 11/2004 Cleary
- D498,681 S * 11/2004 Fenton D9/551
- D500,447 S * 1/2005 Snyder D9/542
- D502,648 S 3/2005 Osip et al.
- D528,006 S 9/2006 Walther et al.
- D536,975 S * 2/2007 Smith D9/435
- D536,987 S * 2/2007 Estabrook D9/551
- D545,210 S * 6/2007 Armstrong D9/446
- D546,696 S * 7/2007 Penfold D9/529
- D565,955 S 4/2008 Bernard et al.

(Continued)

FOREIGN PATENT DOCUMENTS

- RU 00072826 11/2009
- RU 00072827 11/2009

(Continued)

Primary Examiner — Ian Simmons

Assistant Examiner — Keith Frank

(74) *Attorney, Agent, or Firm* — Hunton & Williams LLP

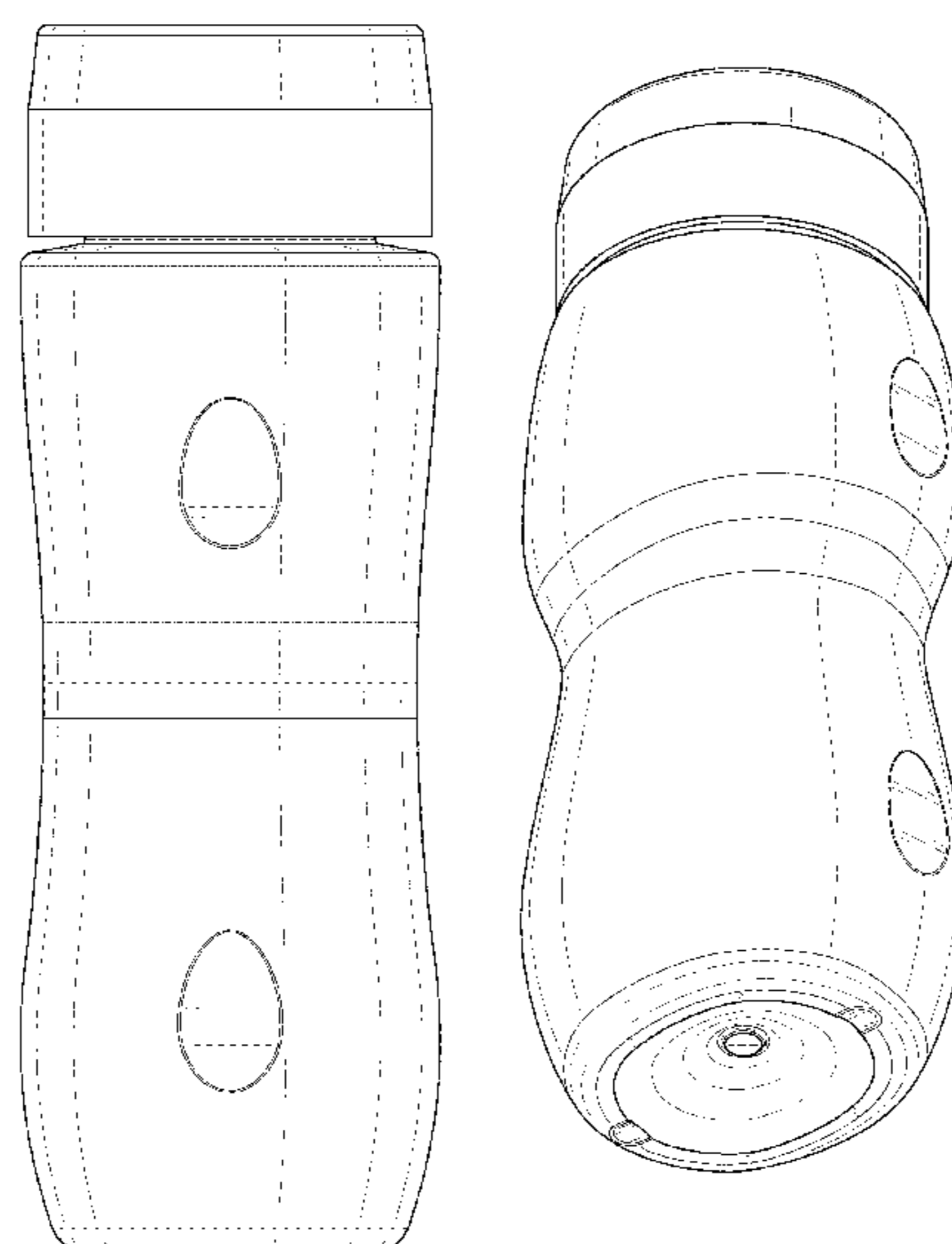
(57) **CLAIM**

The ornamental design for a squeezable bottle, as shown and described.

DESCRIPTION

FIG. 1 is a front perspective view of a squeezable bottle showing our new design.
 FIG. 2 is a front elevation view thereof;
 FIG. 3 is a rear elevation view thereof;
 FIG. 4 is a right side elevation view thereof;
 FIG. 5 is a left side elevation view thereof;
 FIG. 6 is a top plan view thereof;
 FIG. 7 is a bottom plan view thereof; and,
 FIG. 8 is a bottom perspective view thereof.
 The broken lines in the drawings illustrate environmental structure on the article and form no part of the claimed design.

1 Claim, 7 Drawing Sheets



(56)

References Cited

U.S. PATENT DOCUMENTS

D567,662 S * 4/2008 Feen D9/542
 D576,494 S * 9/2008 Bakic D9/529
 D576,885 S 9/2008 Fernandez et al.
 D578,398 S * 10/2008 Kuzma D9/539
 D583,673 S 12/2008 Freeborn et al.
 D592,066 S * 5/2009 Bourne D9/520
 D602,362 S 10/2009 Hering
 D612,737 S 3/2010 Bansal
 D612,738 S 3/2010 Bansal
 D613,173 S 4/2010 Bansal
 D622,146 S 8/2010 Wheaton et al.
 D629,303 S 12/2010 Toh et al.
 D634,208 S 3/2011 Schlies
 D635,860 S 4/2011 Sahu et al.
 D670,172 S * 11/2012 Bruscha D9/542
 D675,532 S 2/2013 Beaver

D685,269 S 7/2013 Macia Mejia et al.
 D723,375 S 3/2015 Brune et al.
 D733,569 S 7/2015 Martinon
 D738,732 S * 9/2015 Gelov D9/529
 D784,143 S * 4/2017 de Cleir D9/529
 D788,591 S * 6/2017 Westhofen D9/537
 D792,769 S * 7/2017 Bischoff D9/500
 D804,314 S * 12/2017 Jeong D9/529
 2004/0232023 A1 * 11/2004 Bansal B65D 1/0223
 206/427
 2014/0251941 A1 * 9/2014 Dunn A47G 19/2272
 215/44

FOREIGN PATENT DOCUMENTS

RU 00091906 2/2015
 WO WO D083895 5/2014
 WO WO D088958 11/2015

* cited by examiner

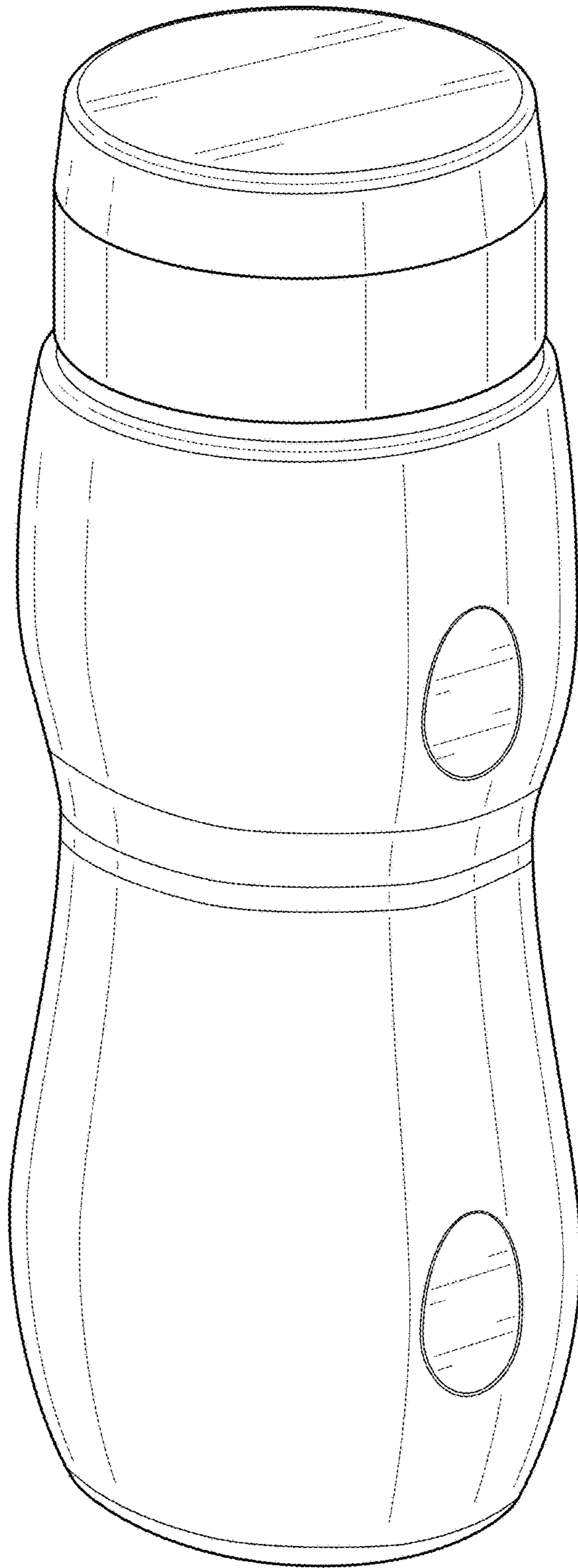


FIG. 1

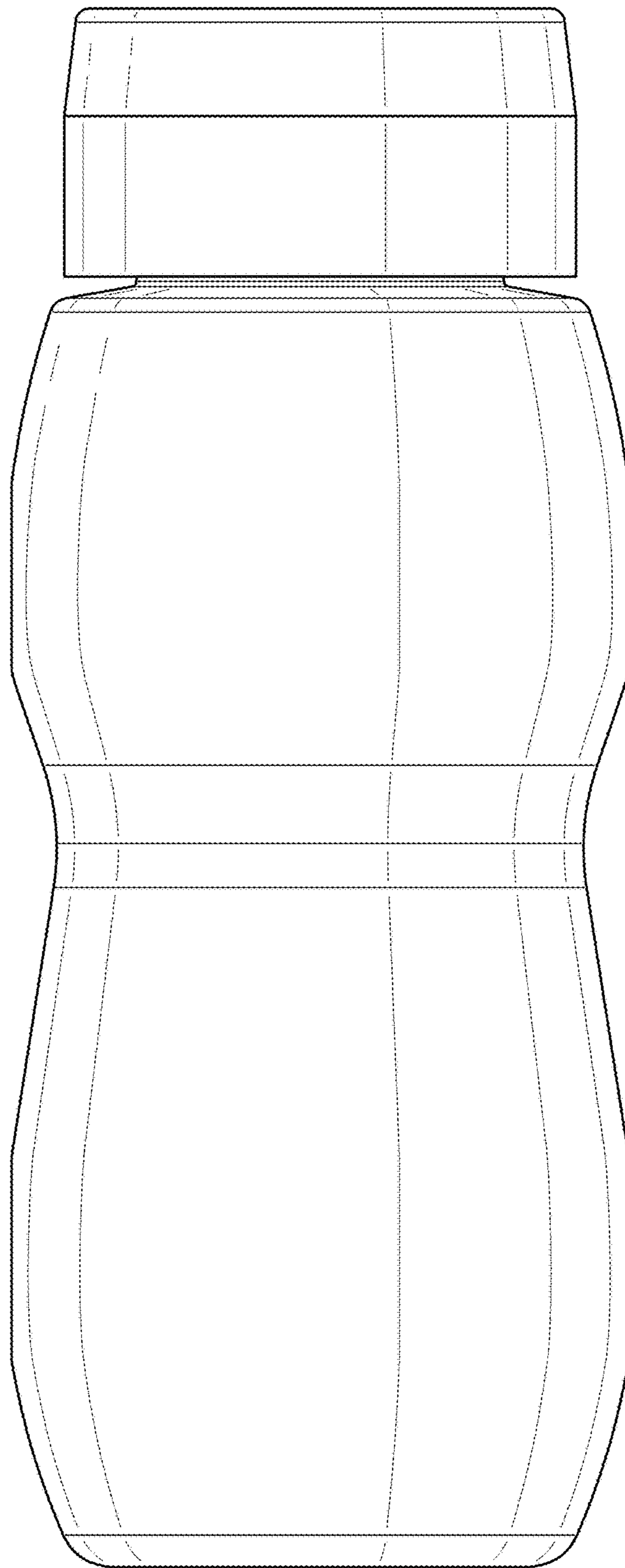


FIG. 2

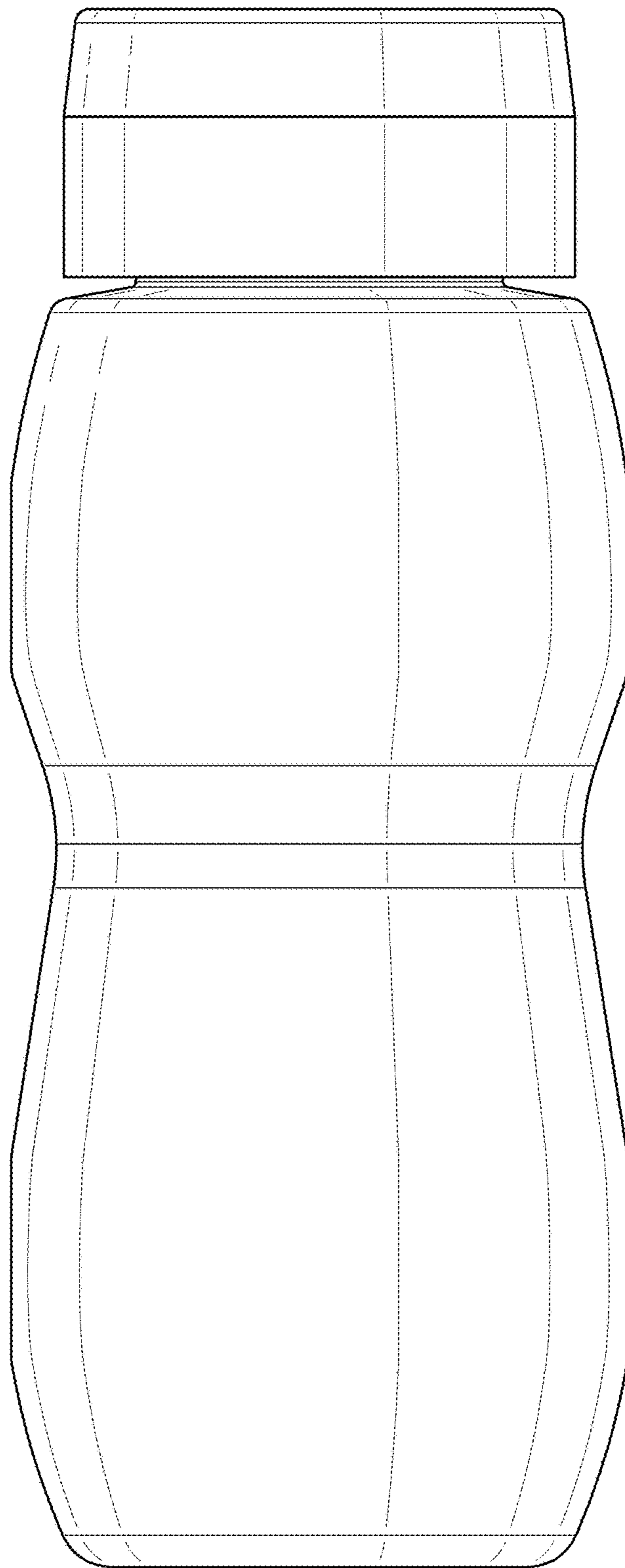


FIG. 3

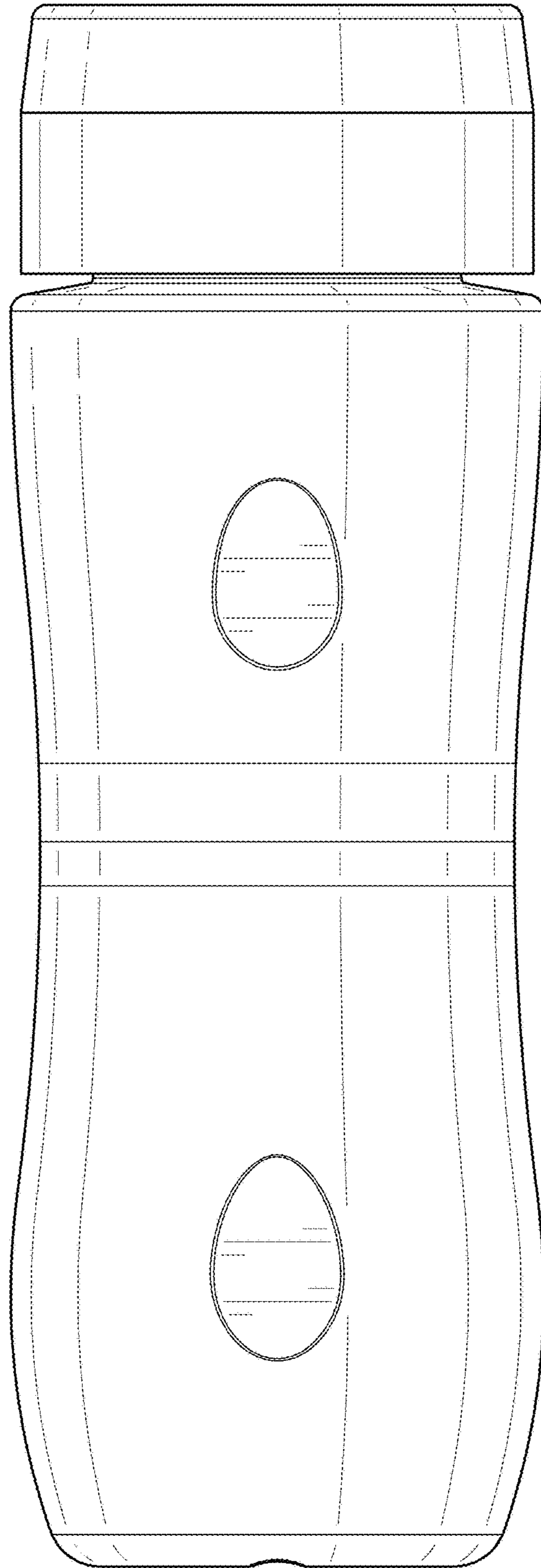


FIG. 4

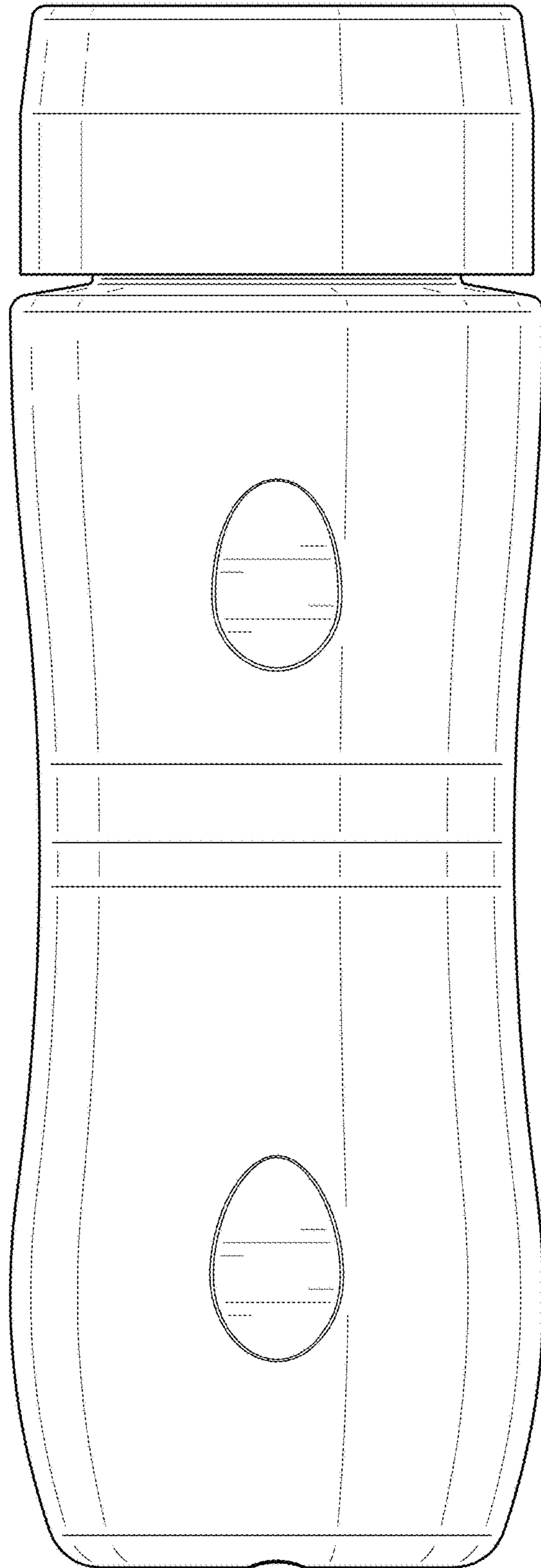


FIG. 5

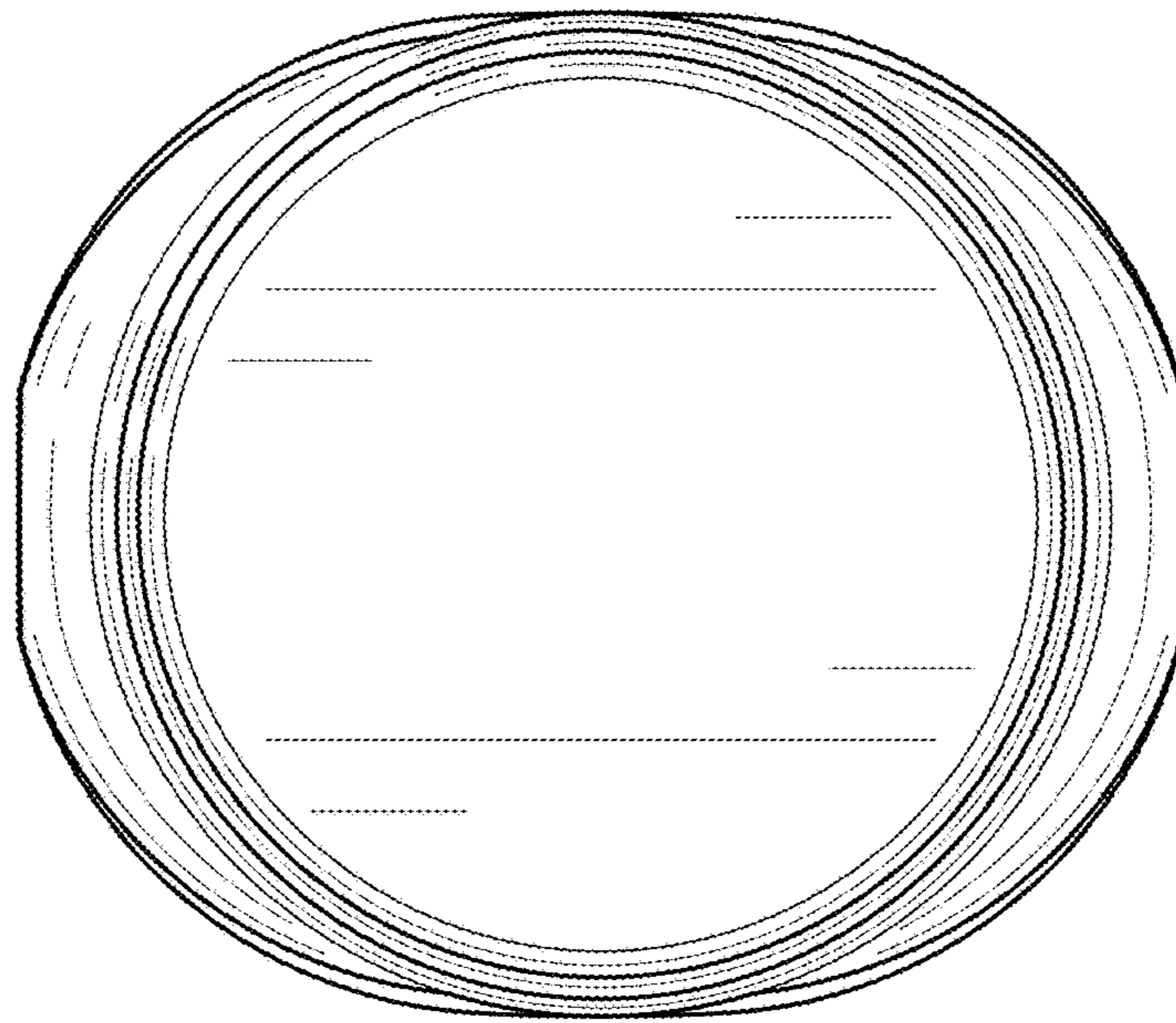


FIG. 6

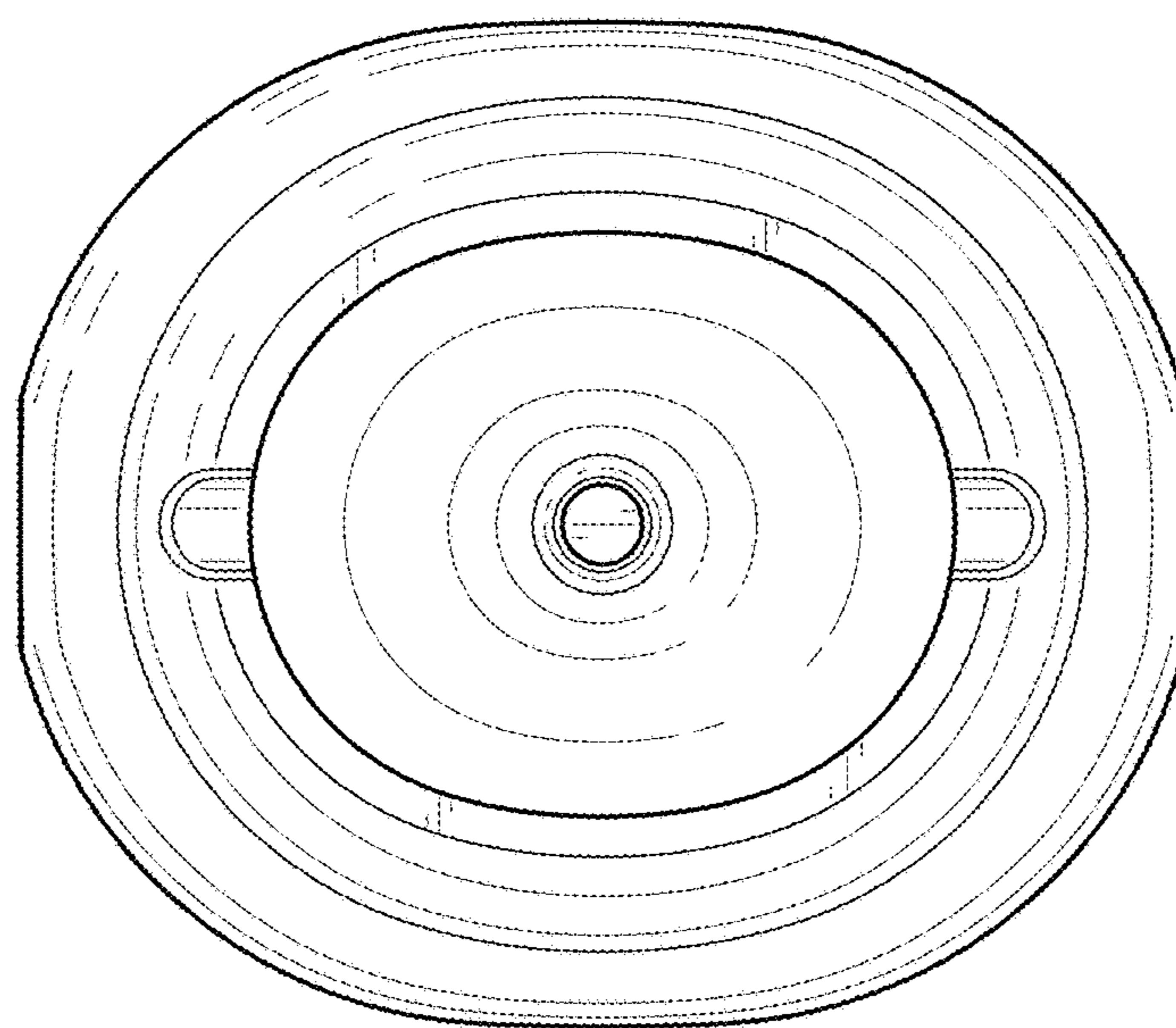


FIG. 7

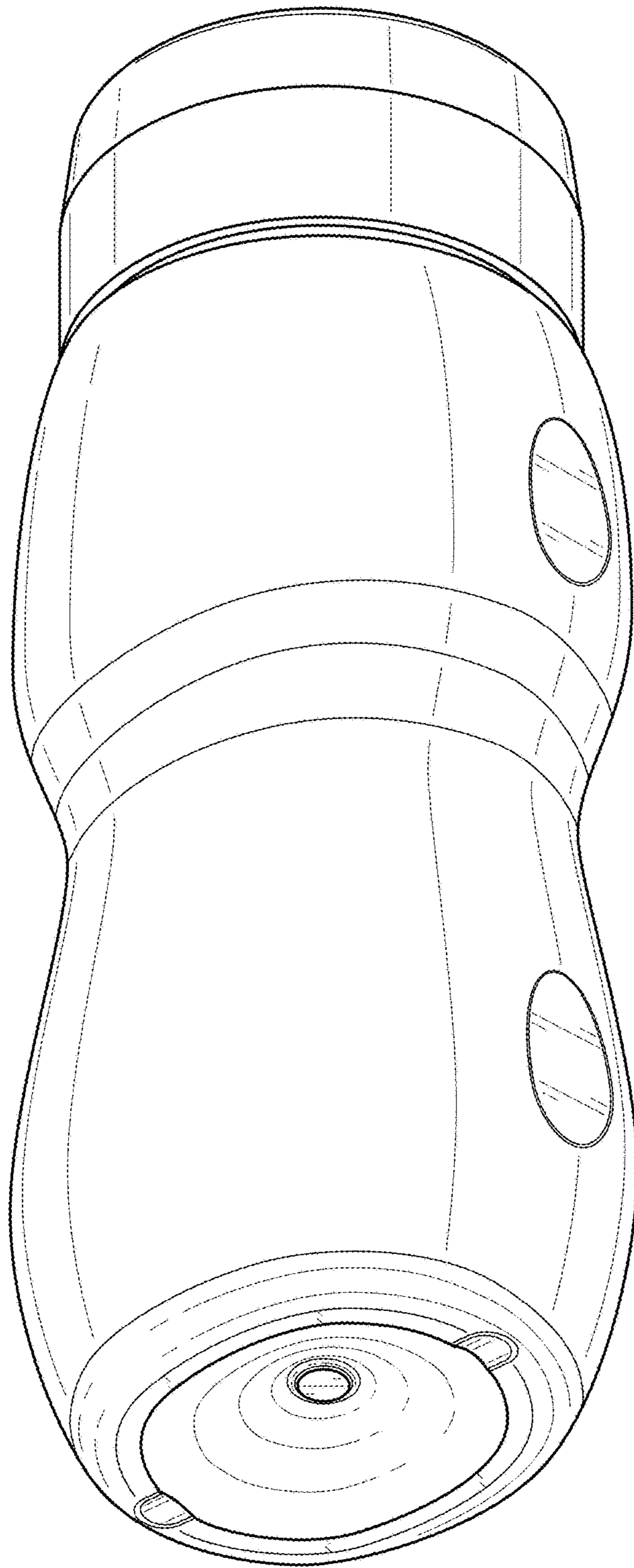


FIG. 8