



US00D813672S

(12) **United States Design Patent**  
**Doster**

(10) **Patent No.:** **US D813,672 S**  
(45) **Date of Patent:** **\*\* Mar. 27, 2018**

- (54) **FOUR PANEL CARD**
- (71) Applicant: **Paradise Packaging Inc.**, Orchard Park, NY (US)
- (72) Inventor: **Gary Doster**, Orchard Park, NY (US)
- (73) Assignee: **Paradise Packaging Inc**, Orchard Park, NY (US)
- (\*\*) Term: **15 Years**
- (21) Appl. No.: **29/596,551**
- (22) Filed: **Mar. 9, 2017**
- (51) **LOC (11) Cl.** ..... **09-07**
- (52) **U.S. Cl.**  
USPC ..... **D9/456; D9/433; D9/457**
- (58) **Field of Classification Search**  
USPC ..... D9/414, 415, 424, 425, 434, 455, 456, D9/499, 433, 457; D20/40; D19/9, 10  
CPC .. A61J 1/00; A61J 1/1412; B65D 1/00; B65D 1/02; B65D 1/10; B65D 1/46; B65D 2585/56; B65D 2585/545; B65D 41/00; B65D 41/38; B65D 41/56; B65D 41/62; B65D 47/00; B65D 47/06; B65D 47/08; B65D 2543/00046; B65D 2543/00092; B65D 2543/00296; B65D 5/46; B65D 2251/00

See application file for complete search history.

(56) **References Cited**

**U.S. PATENT DOCUMENTS**

- D29,644 S \* 11/1898 Davidson ..... 229/113
- D32,740 S \* 5/1900 Smith ..... D9/433
- D33,774 S \* 12/1900 Smith ..... D9/433
- 1,177,410 A \* 3/1916 Hatfield ..... B65D 5/28  
220/62
- D366,212 S \* 1/1996 Jones ..... D30/161

- D373,307 S \* 9/1996 Menaged ..... D9/415
- D377,270 S \* 1/1997 Neal ..... D5/53
- 5,879,815 A \* 3/1999 Schotz ..... B21D 51/52  
220/62
- D432,010 S \* 10/2000 Etzel ..... D9/415
- D447,938 S \* 9/2001 Tsuruishi ..... D9/415
- D478,510 S \* 8/2003 Kumakura ..... D9/415
- D512,456 S \* 12/2005 Diaz ..... D19/10
- D524,653 S \* 7/2006 Baumgarten ..... D9/457
- D524,858 S \* 7/2006 Graves ..... D19/9
- D541,150 S \* 4/2007 Holley, Jr. .... D9/434
- D563,602 S \* 3/2008 Armentrout ..... D29/101.1
- D604,615 S \* 11/2009 Doster ..... D9/456
- D614,489 S \* 4/2010 Doster ..... D9/456
- D615,402 S \* 5/2010 Doster ..... D20/22
- D648,630 S \* 11/2011 Doster ..... D19/83
- D668,718 S \* 10/2012 Clark ..... D20/22
- D702,765 S \* 4/2014 Williams ..... D20/22
- D720,989 S \* 1/2015 Genender ..... D9/433
- D769,114 S \* 10/2016 Montemayor ..... D9/431
- D770,276 S \* 11/2016 Bjorsing ..... D9/433

(Continued)

*Primary Examiner* — Michael A. Pratt  
*Assistant Examiner* — Wendy L Arminio  
(74) *Attorney, Agent, or Firm* — Roach Brown McCarthy & Gruber, P.C.; Kevin D. McCarthy

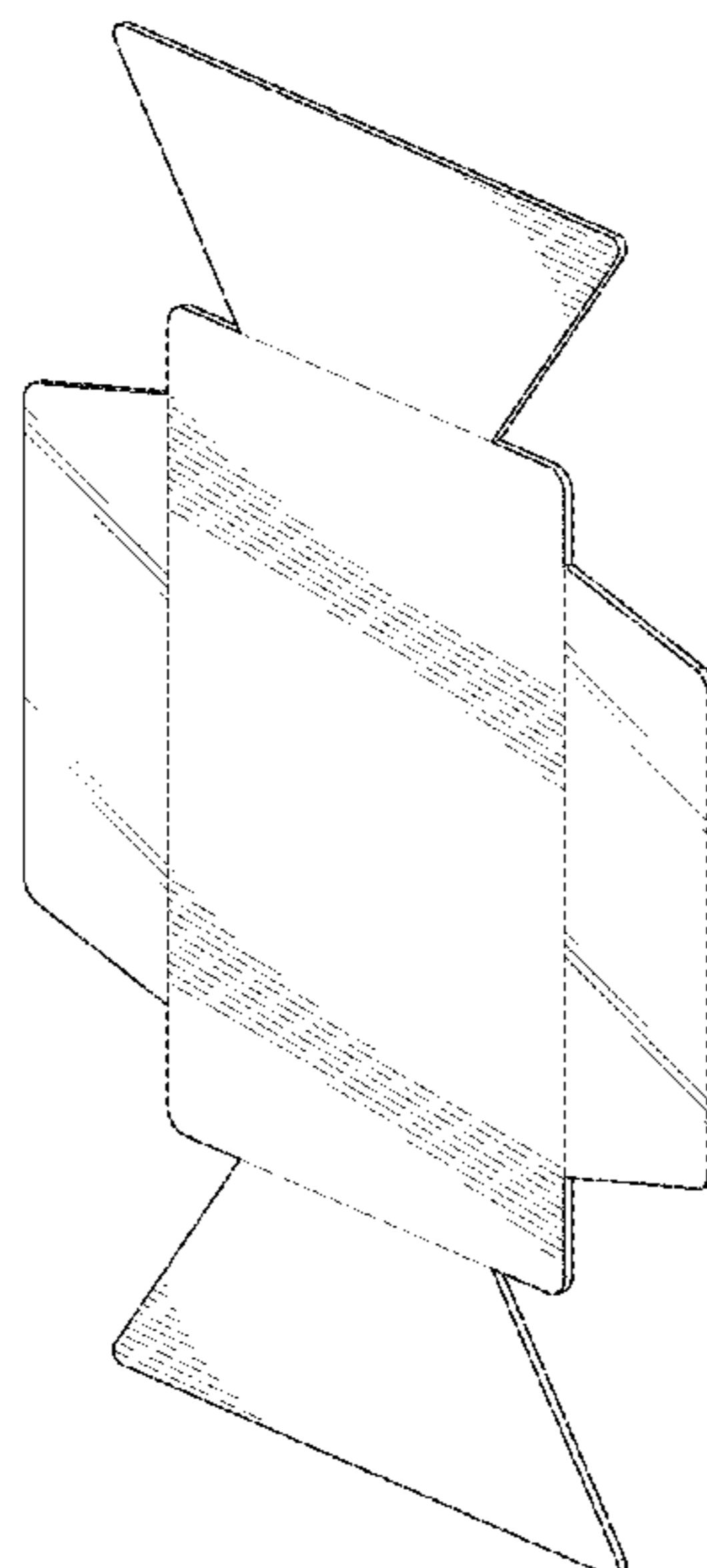
(57) **CLAIM**

The ornamental design for a four panel card, as shown and described.

**DESCRIPTION**

FIG. 1 is a perspective view of the bottom, left side and front surfaces of a four panel card of the applicant's design; FIG. 2 is a front view thereof; FIG. 3 is a left side view thereof; FIG. 4 is a rear view thereof; FIG. 5 is a right side view thereof; FIG. 6 is a top view thereof; and, FIG. 7 is a bottom view thereof.

**1 Claim, 5 Drawing Sheets**



(56)

**References Cited**

U.S. PATENT DOCUMENTS

2011/0192751 A1\* 8/2011 Doster ..... B65D 5/4233  
206/459.5

\* cited by examiner

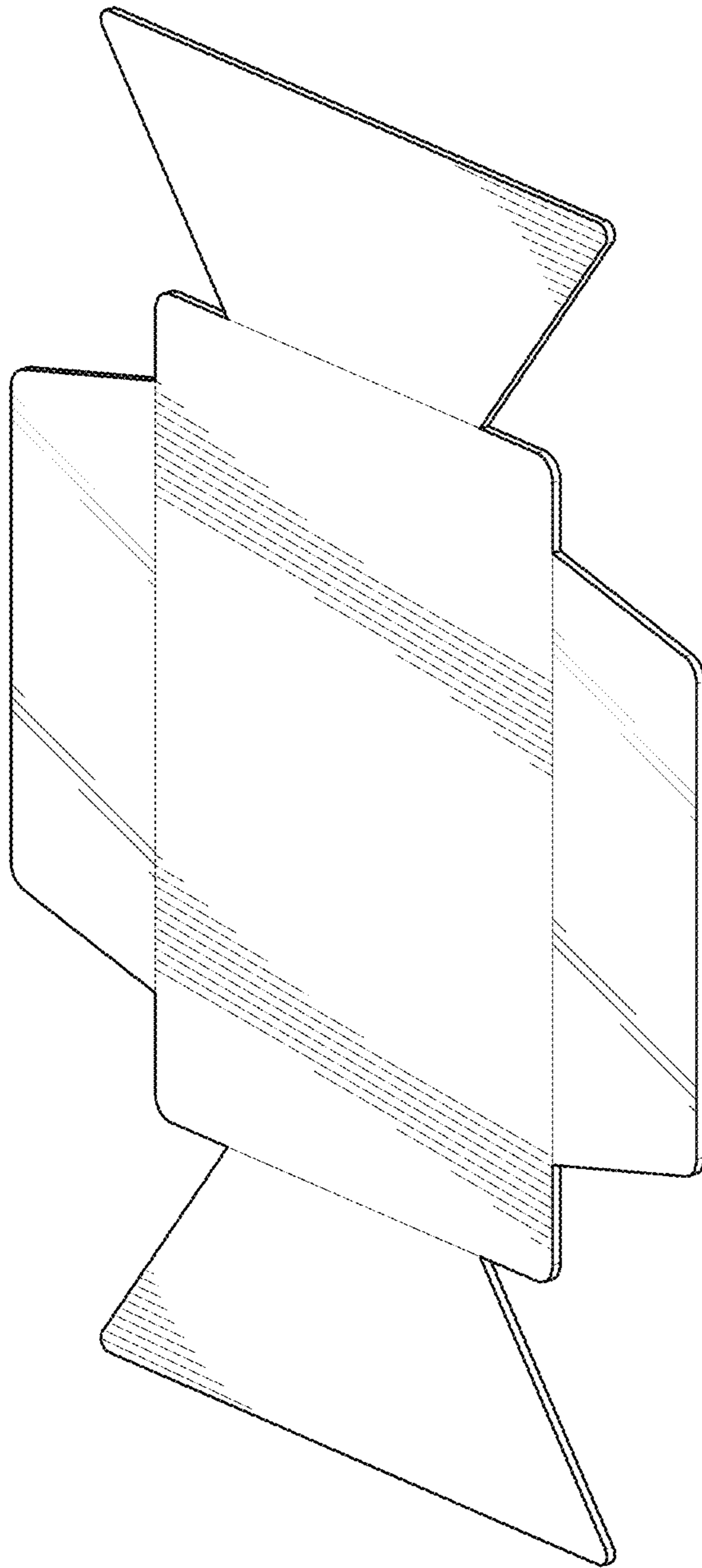


FIG. 1

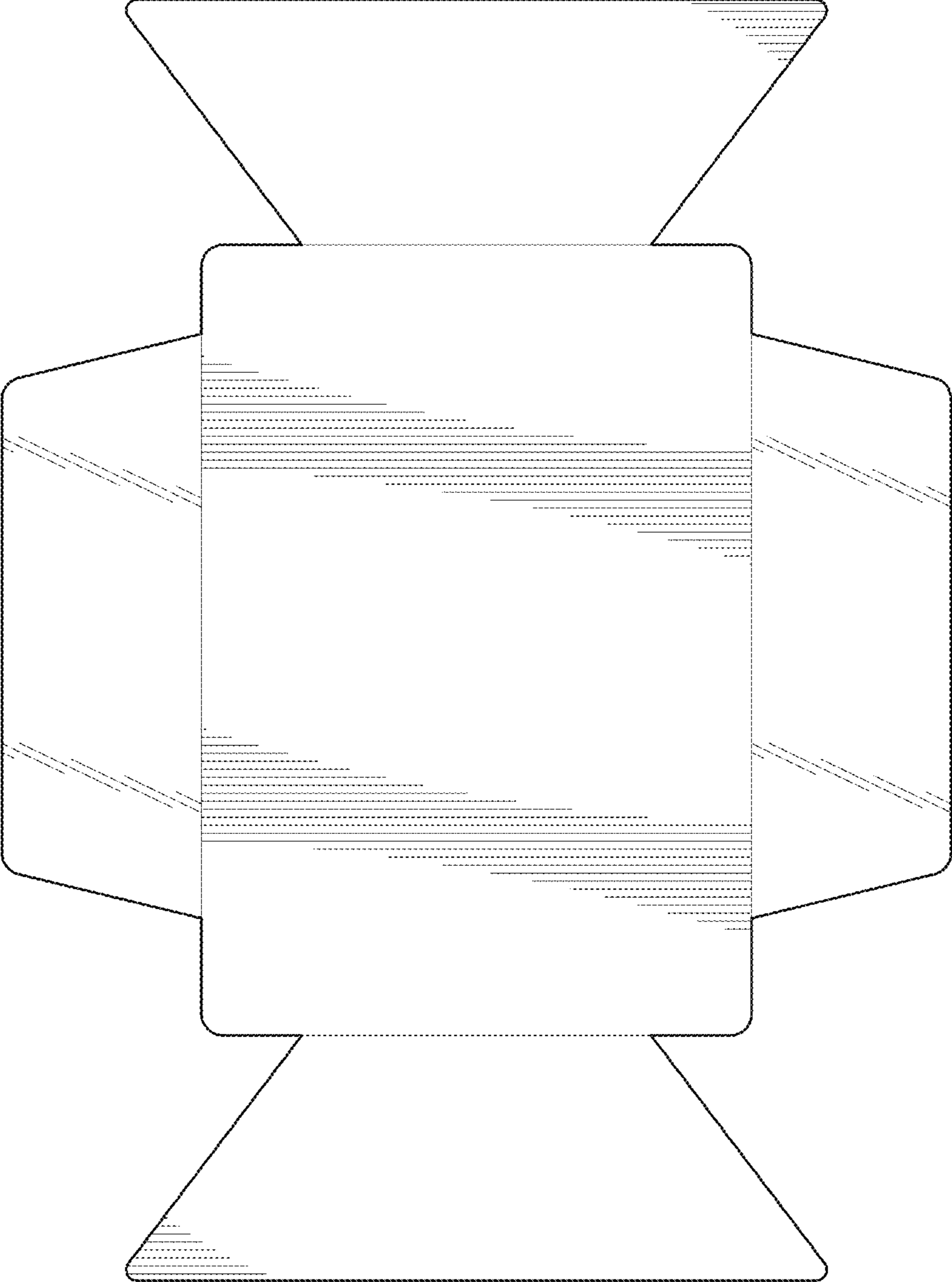


FIG. 2



FIG. 3



FIG. 5

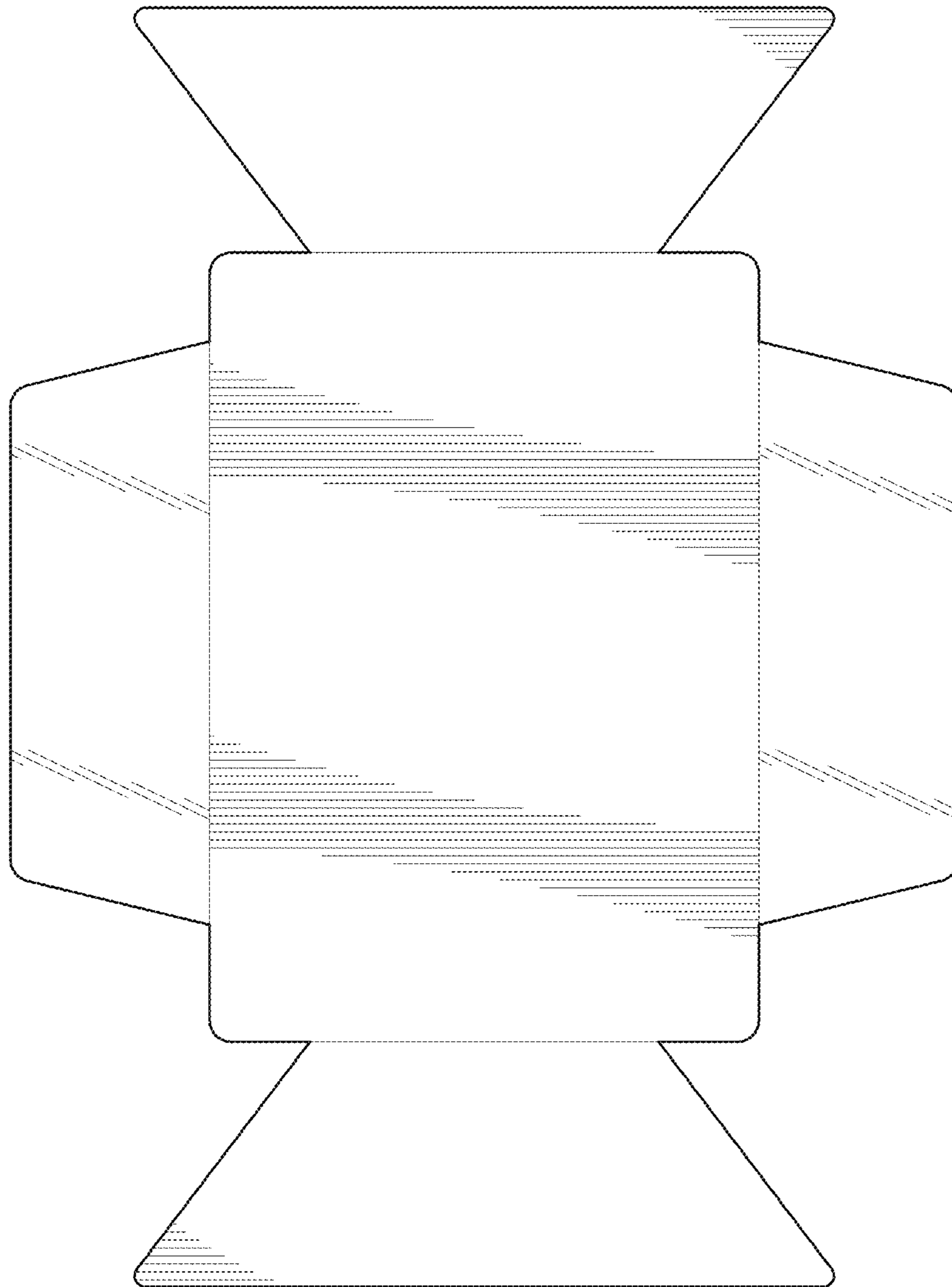


FIG. 4

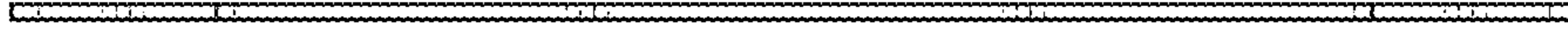


FIG. 6

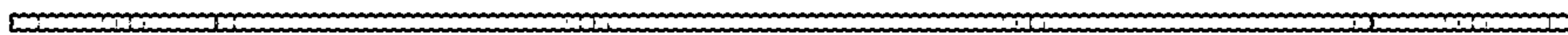


FIG. 7