



US00D813671S

(12) **United States Design Patent** (10) **Patent No.:** **US D813,671 S**  
**Arthur, IV et al.** (45) **Date of Patent:** **\*\* Mar. 27, 2018**

(54) **BOTTLE CLOSURE**  
(71) Applicant: **Arcadia Farms Inc.**, Arden, NC (US)  
(72) Inventors: **James N. Arthur, IV**, Mills River, NC (US); **Darren R. Neputy**, Palos Hills, IL (US)  
(73) Assignee: **Arcadia Farms, LLC**, Arden, NC (US)  
(\*\*) Term: **15 Years**

(21) Appl. No.: **29/584,793**  
(22) Filed: **Nov. 17, 2016**  
(51) **LOC (11) Cl.** ..... **09-07**  
(52) **U.S. Cl.**  
USPC ..... **D9/452; D9/453**  
(58) **Field of Classification Search**  
USPC ..... D9/414, 417, 428, 432, 434, 435, D9/443-450, 452-456, 499, 682-685; D7/387, 392, 392.1, 393, 396, D7/396.1-396.4, 398, 401.1, 507, D7/509-511, 538, 900; D3/202, 294, D3/318, 321; D28/91.1  
CPC .. A61J 1/00; A61J 1/1412; B65D 1/00; B65D 1/02; B65D 1/10; B65D 1/46; B65D 2585/56; B65D 2585/545; B65D 41/00; B65D 41/38; B65D 41/56; B65D 41/62; B65D 47/00; B65D 47/06; B65D 47/08; B65D 2543/00046; B65D 2543/00092; B65D 2543/00296; B65D 5/46; B65D 2251/00

See application file for complete search history.

(56) **References Cited**

**U.S. PATENT DOCUMENTS**

D102,462 S \* 12/1936 Wilmet ..... D9/453  
D136,439 S \* 10/1943 Tatro ..... D9/453  
D136,440 S \* 10/1943 Tatro ..... D9/453

D244,356 S \* 5/1977 Pardo ..... D9/453  
D415,684 S \* 10/1999 Reidenbach ..... D9/453  
D437,226 S \* 2/2001 Sadeghi ..... D9/451  
D442,089 S \* 5/2001 Sadeghi ..... D9/452  
D443,513 S \* 6/2001 Goettner ..... D9/452  
D457,431 S \* 5/2002 Brant ..... D9/435  
D465,730 S \* 11/2002 Druitt ..... D9/452  
D479,997 S \* 9/2003 Ekkert ..... D9/435

(Continued)

**OTHER PUBLICATIONS**

Cutie's closure exemplified at <http://cutiescitrus.com/products/cuties-juice> and believed to be manufactured by Phoenix Closures, Inc., (date found Jan. 12, 2017).

(Continued)

*Primary Examiner* — Michael A. Pratt

*Assistant Examiner* — Wendy Arminio

(74) *Attorney, Agent, or Firm* — The Van Winkle Law Firm; William G. Heedy

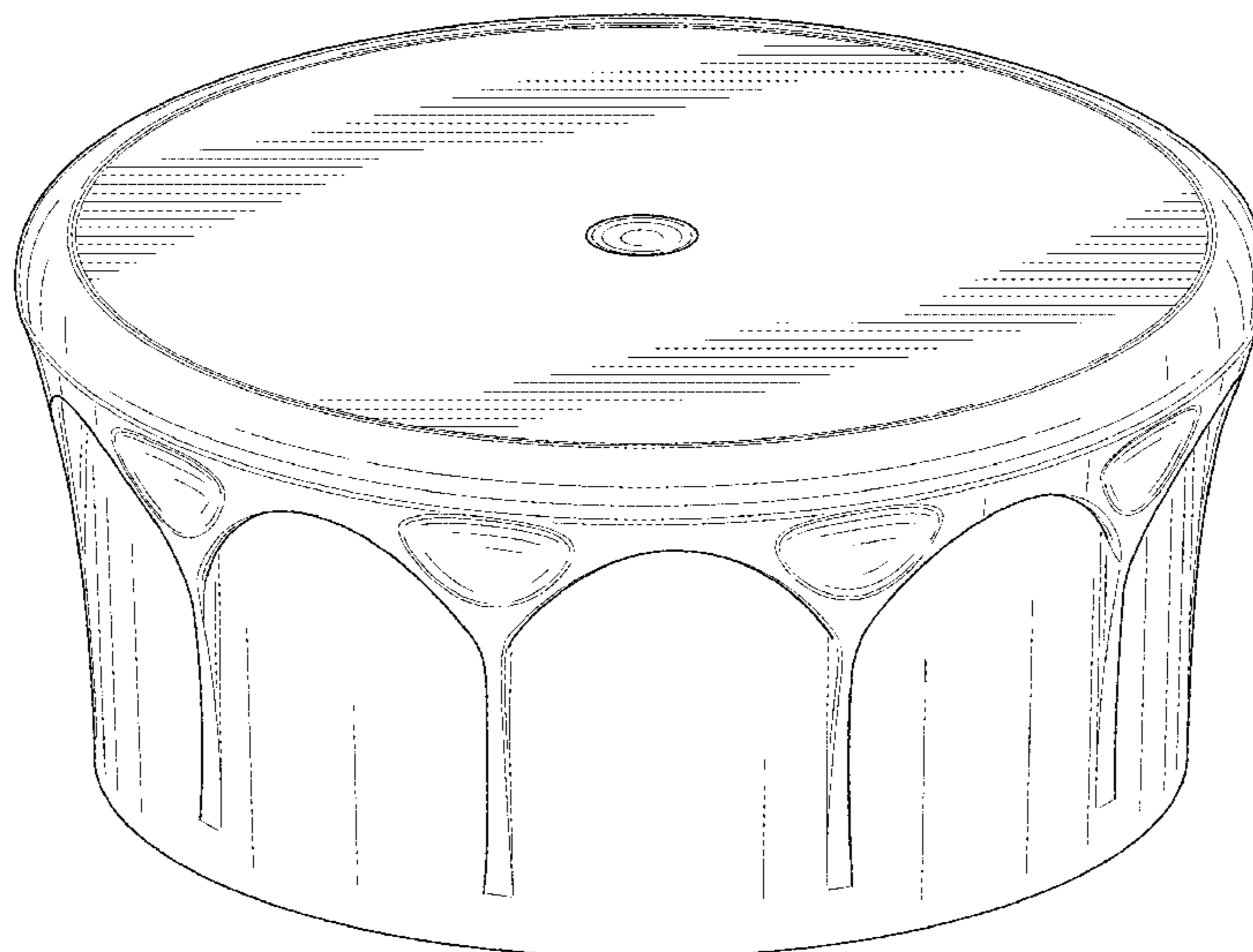
(57) **CLAIM**

The ornamental design for a bottle closure, as shown.

**DESCRIPTION**

FIG. 1 is an upper perspective view of a bottle closure of our new design;  
FIG. 2 is another upper perspective view of the closure of FIG. 1, rotated from the view of FIG. 1;  
FIG. 3 is a perspective view of the underside of the closure of FIG. 1;  
FIG. 4 is another perspective view of the underside of the closure of FIG. 1, rotated from the view of FIG. 3;  
FIG. 5 is a side elevation view of the closure of FIG. 1;  
FIG. 6 is an opposite side elevation view of the closure of FIG. 1;  
FIG. 7 is a top plan view of the closure of FIG. 1; and,  
FIG. 8 is a bottom plan view of the closure of FIG. 1.

**1 Claim, 8 Drawing Sheets**



(56)

**References Cited**

## U.S. PATENT DOCUMENTS

6,783,014 B2 \* 8/2004 Luker ..... B65D 41/0414  
215/303  
D500,677 S \* 1/2005 Druitt ..... D9/452  
D542,656 S \* 5/2007 Szczesniak ..... D9/452  
D577,593 S \* 9/2008 Hestehave ..... D9/452  
7,802,690 B2 \* 9/2010 Lohrman ..... B65D 41/0485  
215/252  
D631,349 S \* 1/2011 Arnell ..... D9/452  
D639,161 S \* 6/2011 Webster ..... D9/452  
D673,450 S \* 1/2013 Cronin ..... D9/452  
D679,185 S \* 4/2013 Brown ..... D9/452  
D679,186 S \* 4/2013 Brown ..... D9/452  
D708,950 S \* 7/2014 Zeid ..... D9/453  
D714,146 S \* 9/2014 King ..... D9/453  
D756,221 S \* 5/2016 Koop ..... D9/453  
D757,545 S \* 5/2016 King ..... D9/453  
2005/0006334 A1 \* 1/2005 Luker ..... B65D 41/0414  
215/334

## OTHER PUBLICATIONS

Milo's Café Style closure exemplified at <https://drinkmilos.com/products> and believed to be manufactured by Phoenix Closures, Inc., (date found Jan. 12, 2017).

Simply Beverages closure exemplified at <http://www.simplyorangejuice.com/products>, (date found Jan. 12, 2017).

Stok Coffee closure exemplified at <http://stokcoffee.com/products/#0>, (date found Jan. 12, 2017).

Tropicana closure exemplified at <http://www.tropicana.com/products>, (date found Jan. 12, 2017).

\* cited by examiner

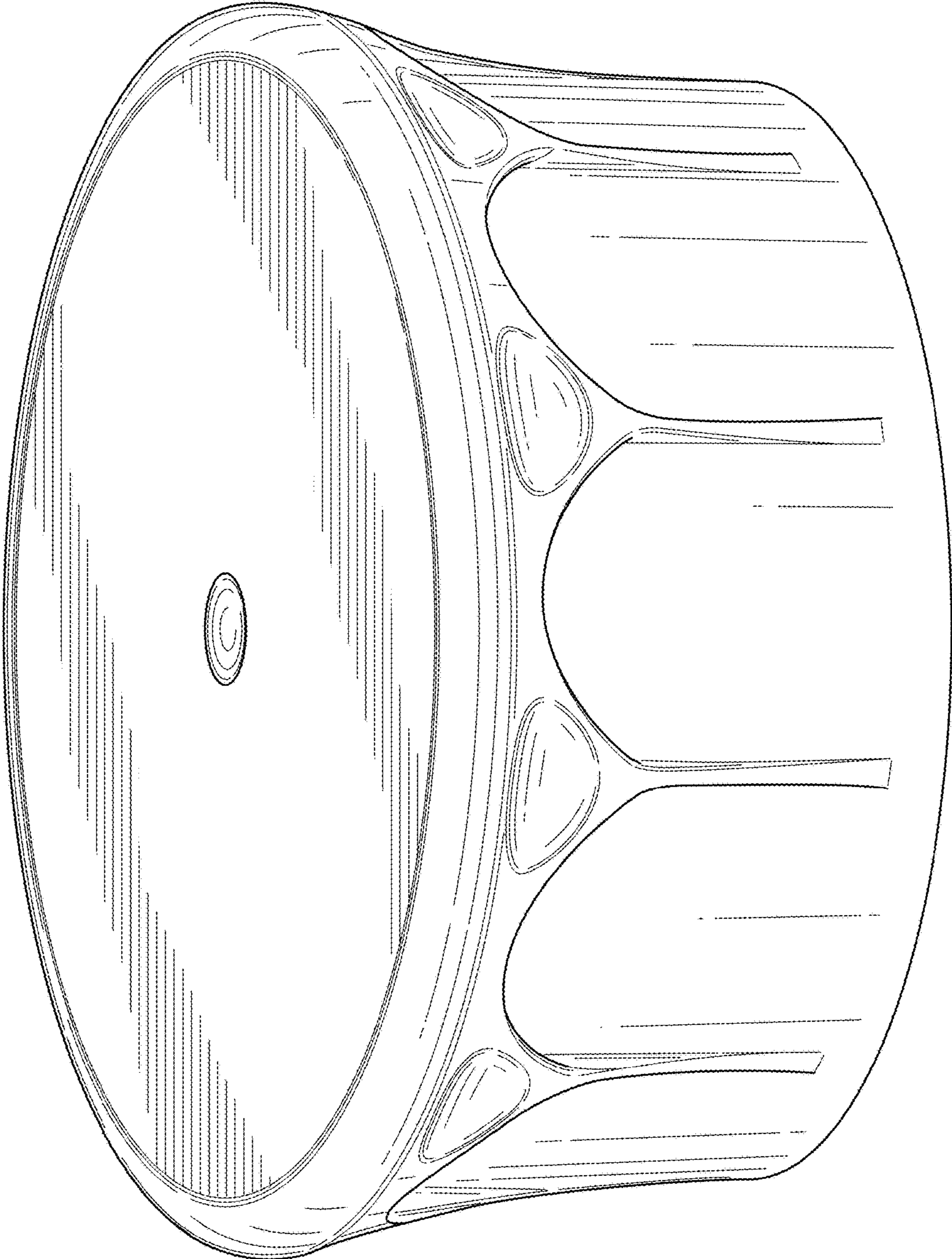


FIG. 1

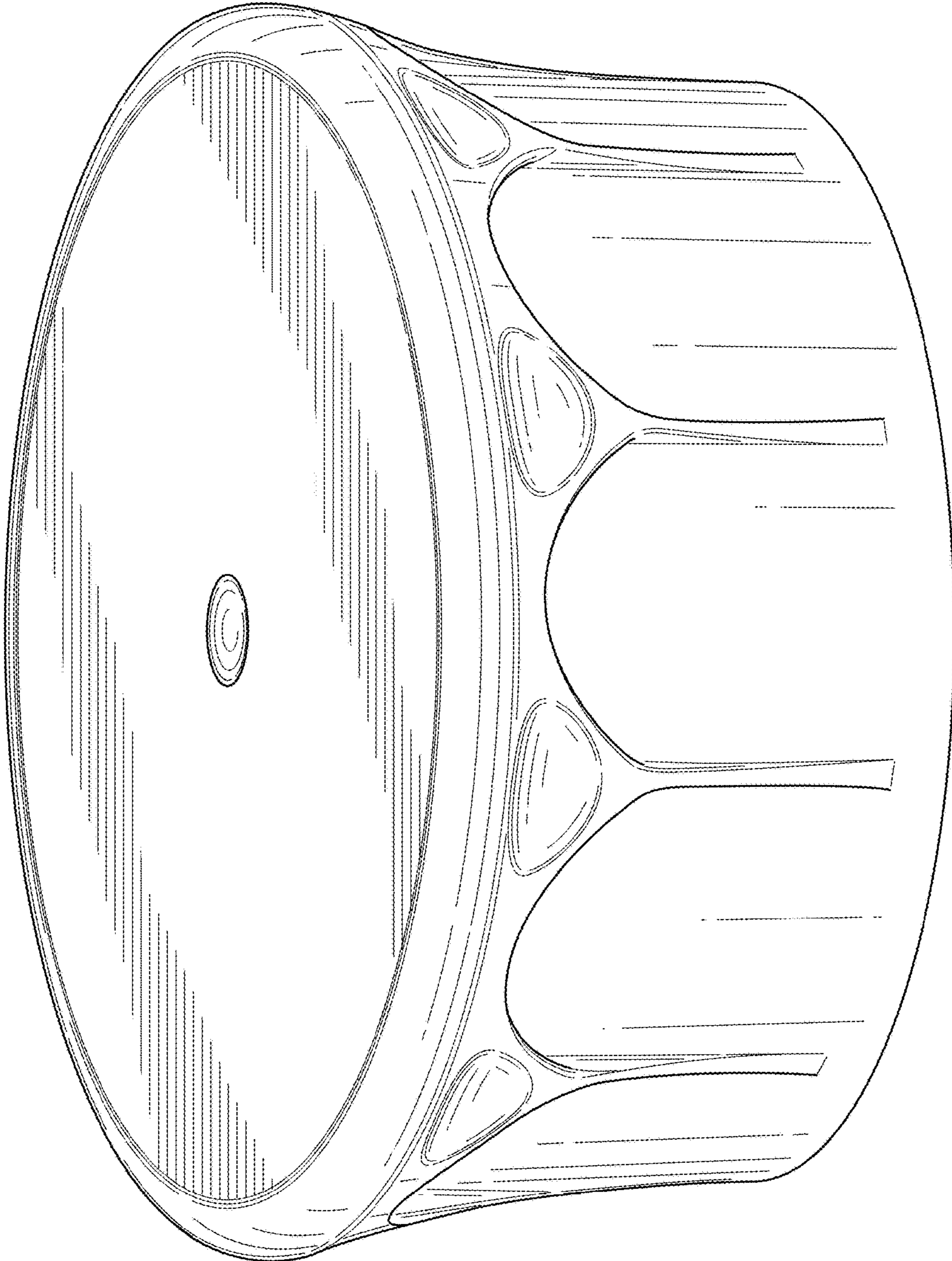


FIG. 2

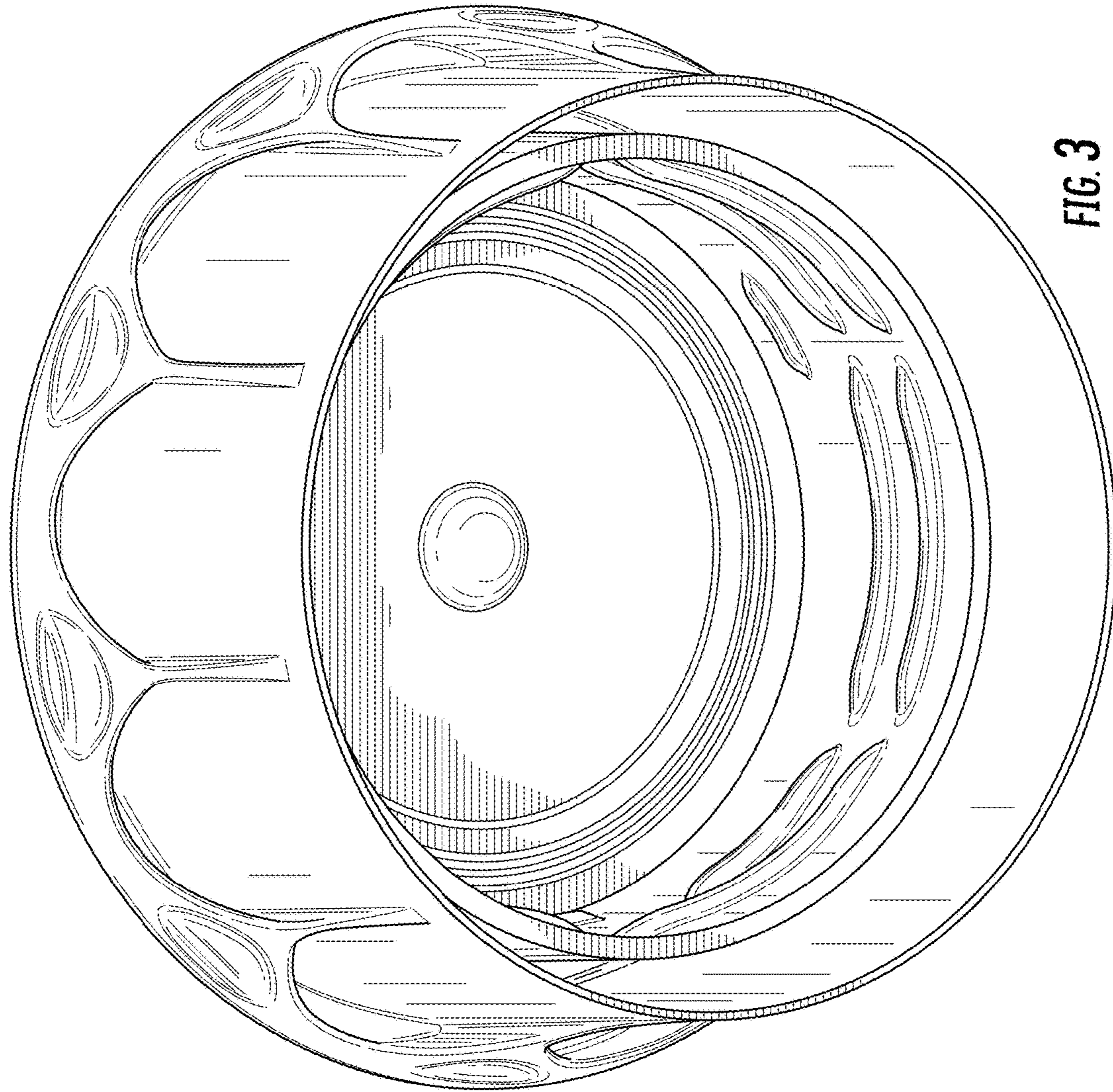


FIG. 3

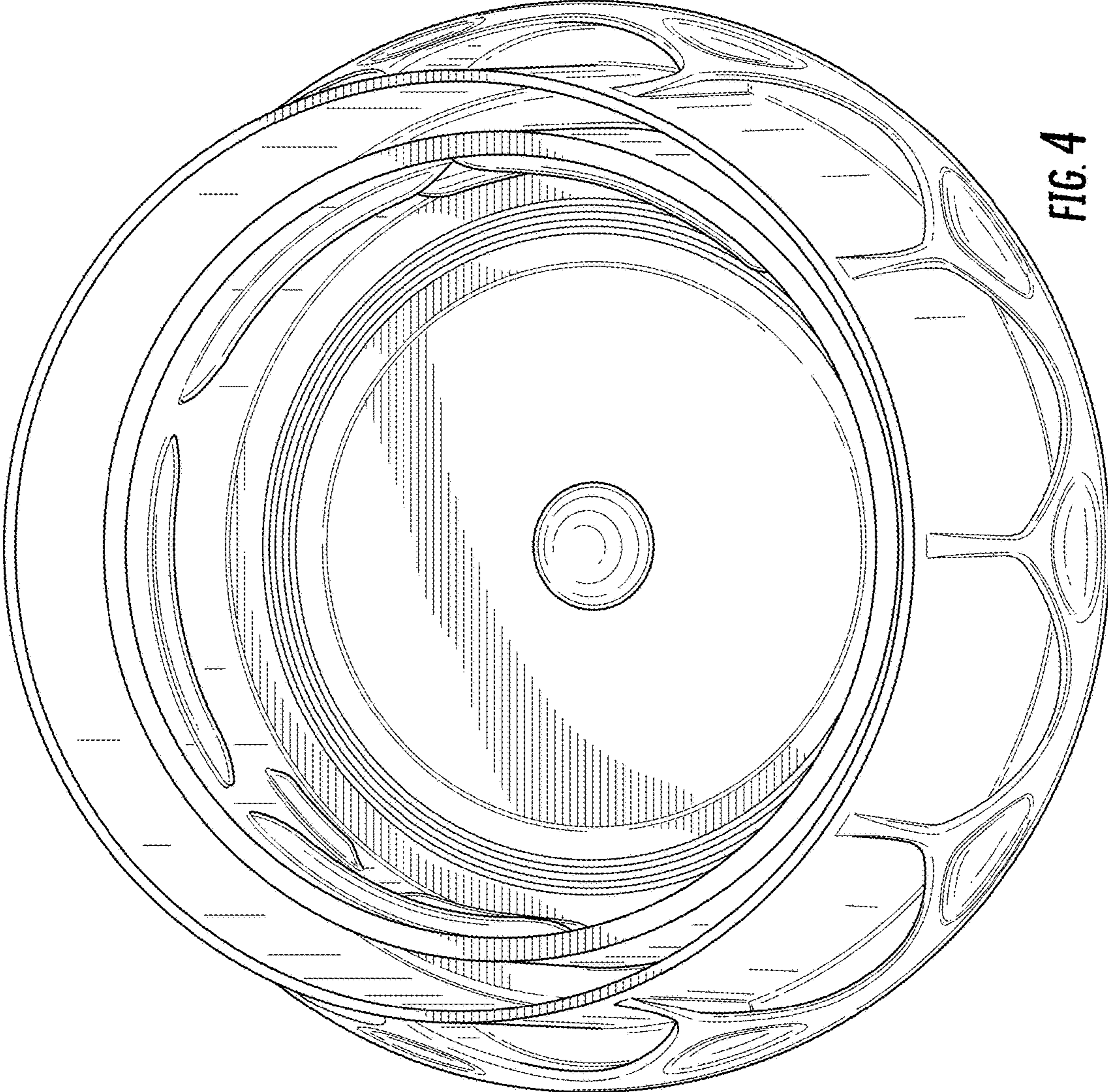


FIG. 4

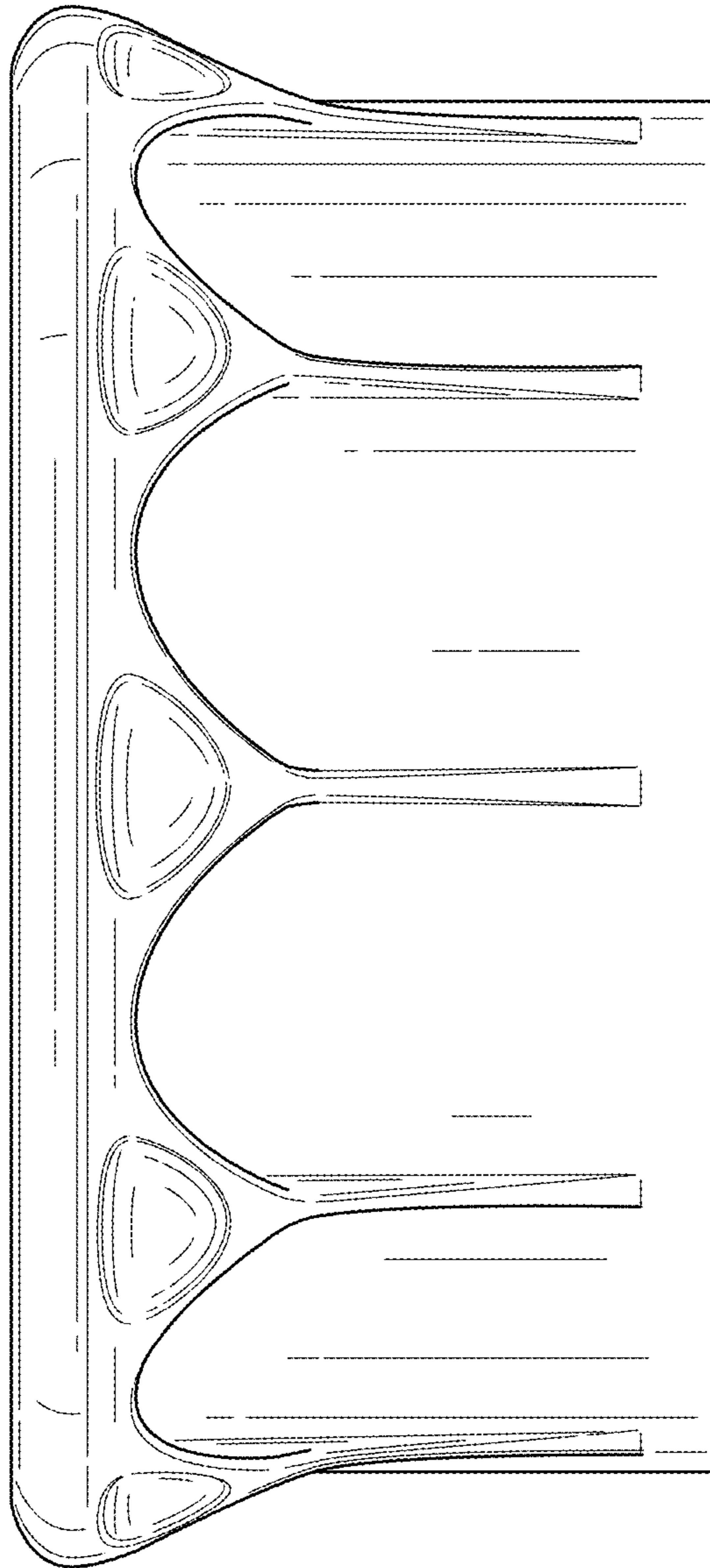


FIG. 5

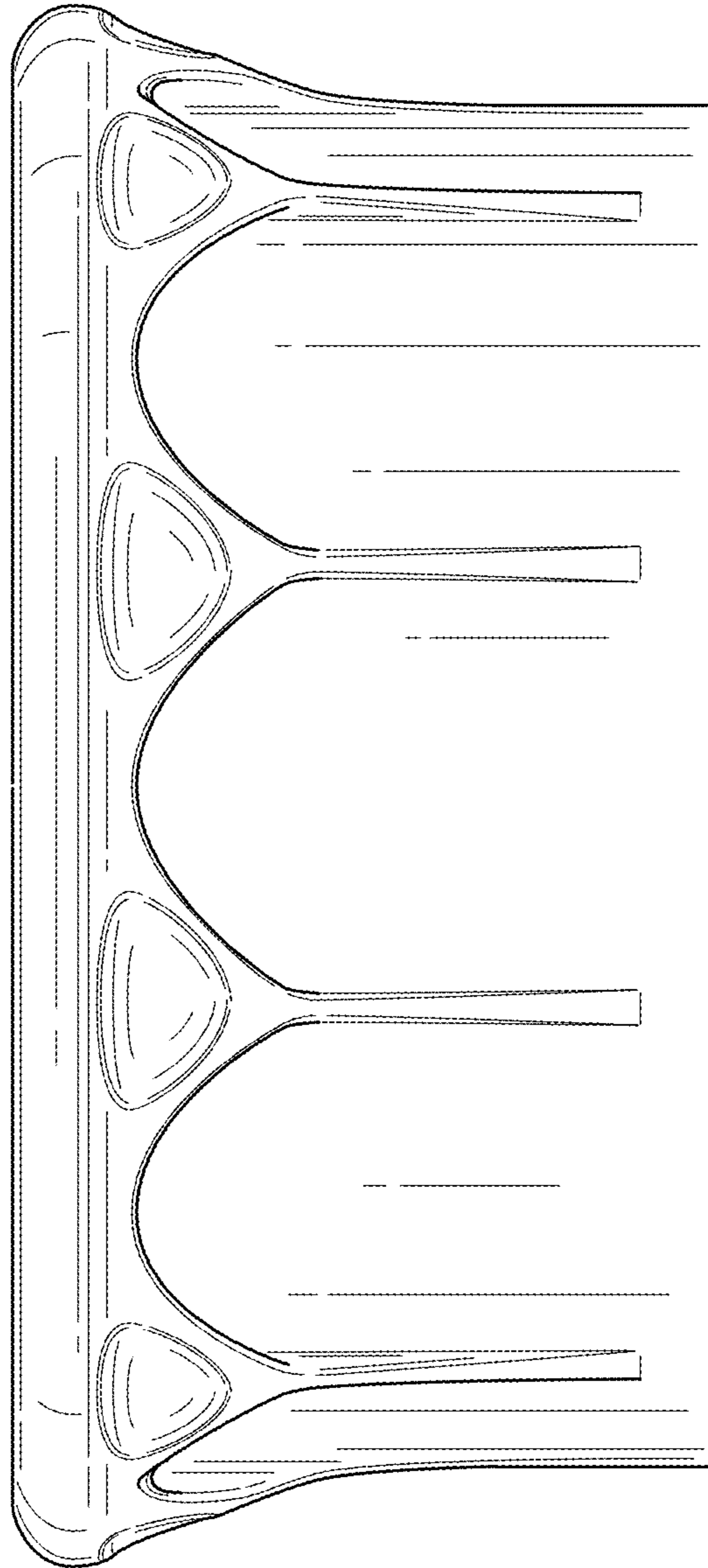


FIG. 6



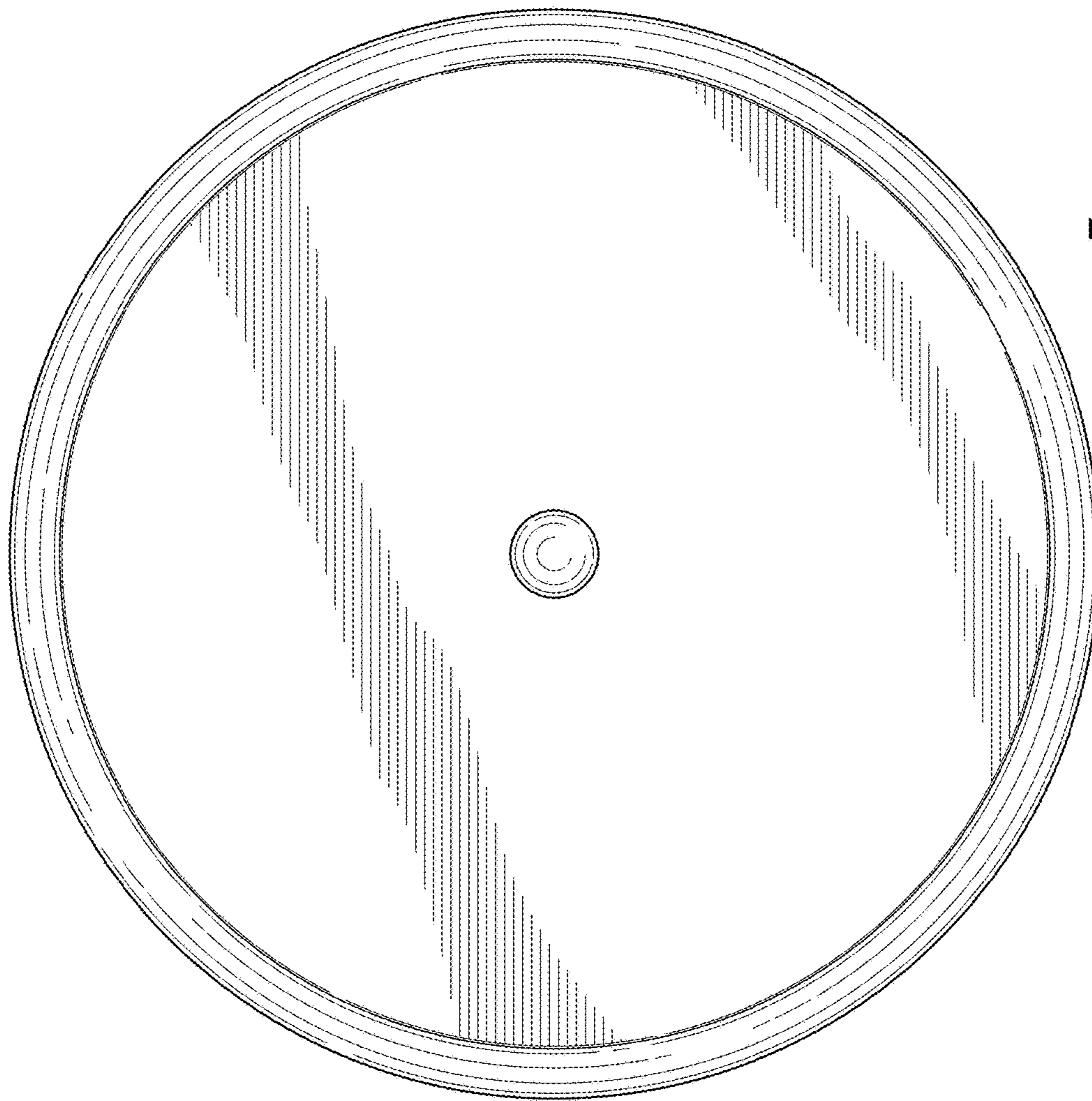


FIG. 7

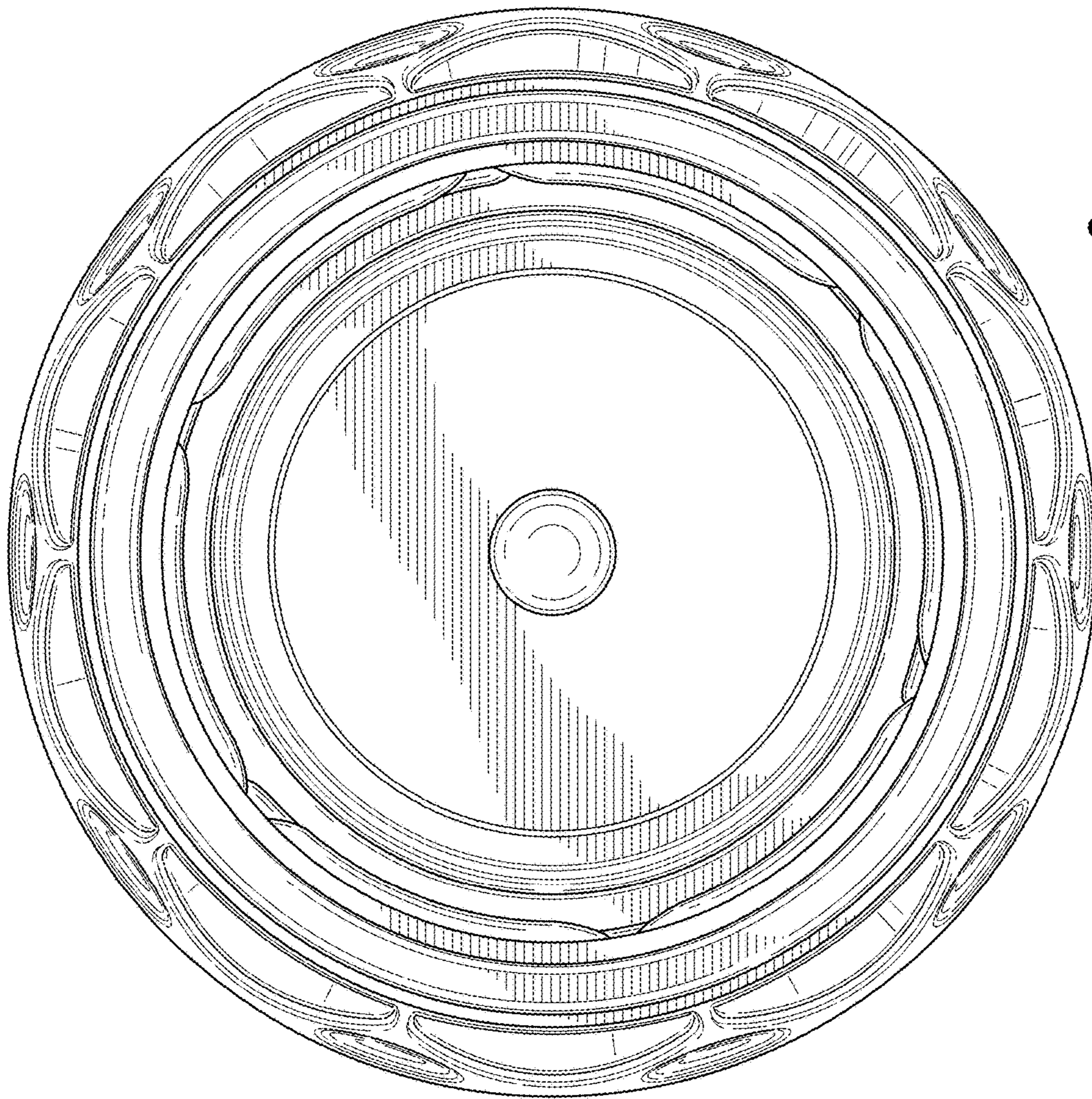


FIG. 8