



US00D813670S

(12) **United States Design Patent**
Carpenter et al.

(10) **Patent No.:** **US D813,670 S**
(45) **Date of Patent:** **** Mar. 27, 2018**

(54) **BOTTLE CAP**

(56) **References Cited**

(71) Applicant: **Bayer HealthCare LLC**, Whippany, NJ (US)

U.S. PATENT DOCUMENTS

(72) Inventors: **Michael Scott Carpenter**, Arlington, TN (US); **William A. Bachman**, Pewaukee, WI (US); **Theresa C. DeSantis**, Trumbull, CT (US); **Anna Erixon**, Lander, WY (US); **Gregg Herman**, Hoboken, NJ (US); **Mark G. Neuhalfen**, Mount Prospect, IL (US); **Sean Hang Cho**, Elgin, IL (US); **Craig A. Braun**, Elgin, IL (US); **Jeffrey Rodriguez**, Pleasant Prairie, WI (US)

D320,551 S	*	10/1991	Wilson	D9/447
D475,920 S	*	6/2003	Poon	D9/444
D478,507 S	*	8/2003	Poisson	D9/435
D509,434 S	*	9/2005	Haruta	D9/504
D524,650 S	*	7/2006	Sitomer	D9/449
D552,992 S	*	10/2007	Spencer	D9/454
D562,681 S	*	2/2008	Blasko	D9/445
D568,743 S	*	5/2008	Kunesh	D9/445
D574,235 S	*	8/2008	Sawatsky	D9/435
D611,354 S	*	3/2010	Usui	D9/444

(Continued)

Primary Examiner — Karen S Acker
Assistant Examiner — Wendy Arminio

(73) Assignee: **Bayer HealthCare LLC**, Whippany, NJ (US)

(74) *Attorney, Agent, or Firm* — Lowenstein Sandler LLP

(**) Term: **15 Years**

(57) **CLAIM**

(21) Appl. No.: **29/553,224**

The ornamental design for a bottle cap, as shown and described.

(22) Filed: **Jan. 29, 2016**

DESCRIPTION

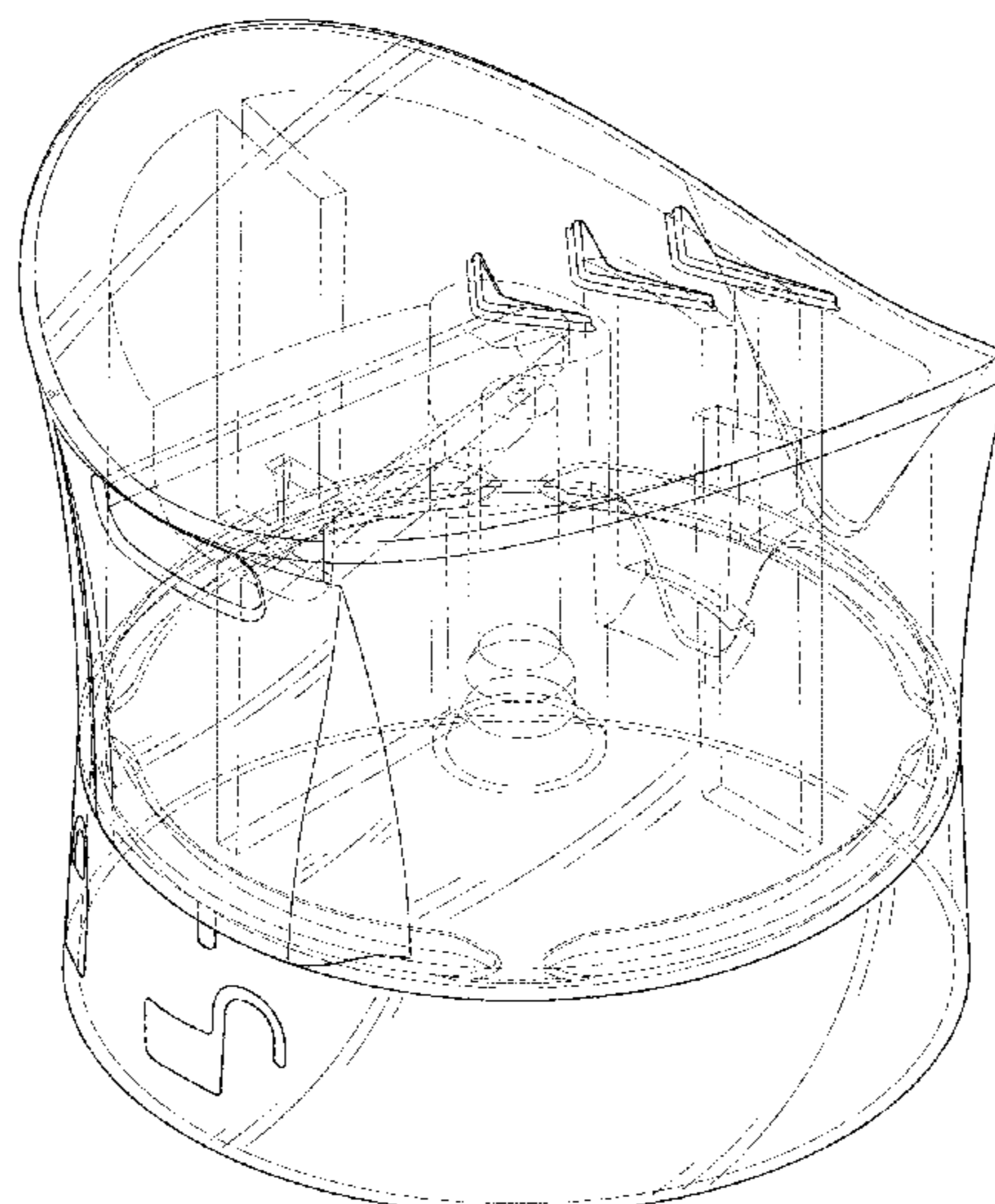
(51) **LOC (11) Cl.** **09-07**

(52) **U.S. Cl.**
USPC **D9/448**

(58) **Field of Classification Search**
USPC D9/414, 415, 420, 426, 428, 429, 434, D9/435, 443–450, 452–457, 499, 682, D9/685, 686, 451; D7/387, 392, 392.1, D7/393, 395, 396.2, 396.3, 396.4, 401.1, D7/507, 509–511, 538, 900; D3/202, D3/203.2, 318; D28/91.1
CPC .. A61J 1/00; A61J 1/1412; B65D 1/00; B65D 1/02; B65D 1/10; B65D 1/46; B65D 2585/56; B65D 41/00; B65D 41/38; B65D 41/56; B65D 41/62; B65D 47/00; B65D 47/06; B65D 47/08; B65D 2543/00046; B65D 2543/00092; B65D 2543/00296; B65D 5/46; B65D 2251/00
See application file for complete search history.

FIG. 1 is a perspective view of a bottle cap showing our new design;
FIG. 2 is a front elevation view thereof;
FIG. 3 is a rear elevation view thereof;
FIG. 4 is a left side elevation view thereof;
FIG. 5 is a right side elevation view thereof;
FIG. 6 is a top plan view thereof;
FIG. 7 is a bottom plan view thereof;
FIG. 8 is another perspective view of the bottle cap of FIG. 1 showing the band at the base rotated to the locked position; and,
FIG. 9 is a perspective view of the bottle cap of FIG. 1 shown in a position of use attached to a bottle drawn in broken lines.
The broken lines depict environmental structure that forms no part of the claimed design.

1 Claim, 9 Drawing Sheets



(56)

References Cited

U.S. PATENT DOCUMENTS

D612,728	S *	3/2010	Borstel	D9/449
D617,193	S *	6/2010	Casey	D9/453
D663,199	S *	7/2012	Althaus	D9/445
D665,669	S *	8/2012	Folli	D9/448
D679,997	S *	4/2013	Kersten	D9/443
D716,142	S *	10/2014	Luijendijk	D9/447
D716,661	S *	11/2014	Dubitsky	D9/435
D730,184	S *	5/2015	Matsushita	D9/435
D746,147	S *	12/2015	Watabe	D9/445
D750,492	S *	3/2016	Campbell	D9/448
D754,540	S *	4/2016	Wang	D9/434
D764,291	S *	8/2016	Lemke	D9/436
D775,949	S *	1/2017	Andrew	D9/445
2011/0180570	A1 *	7/2011	Campbell	B65D 83/205 222/402.11
2012/0006859	A1 *	1/2012	Wilkinson	B65D 83/205 222/402.21
2015/0090736	A1 *	4/2015	Erickson	B65D 83/205 222/153.1

* cited by examiner

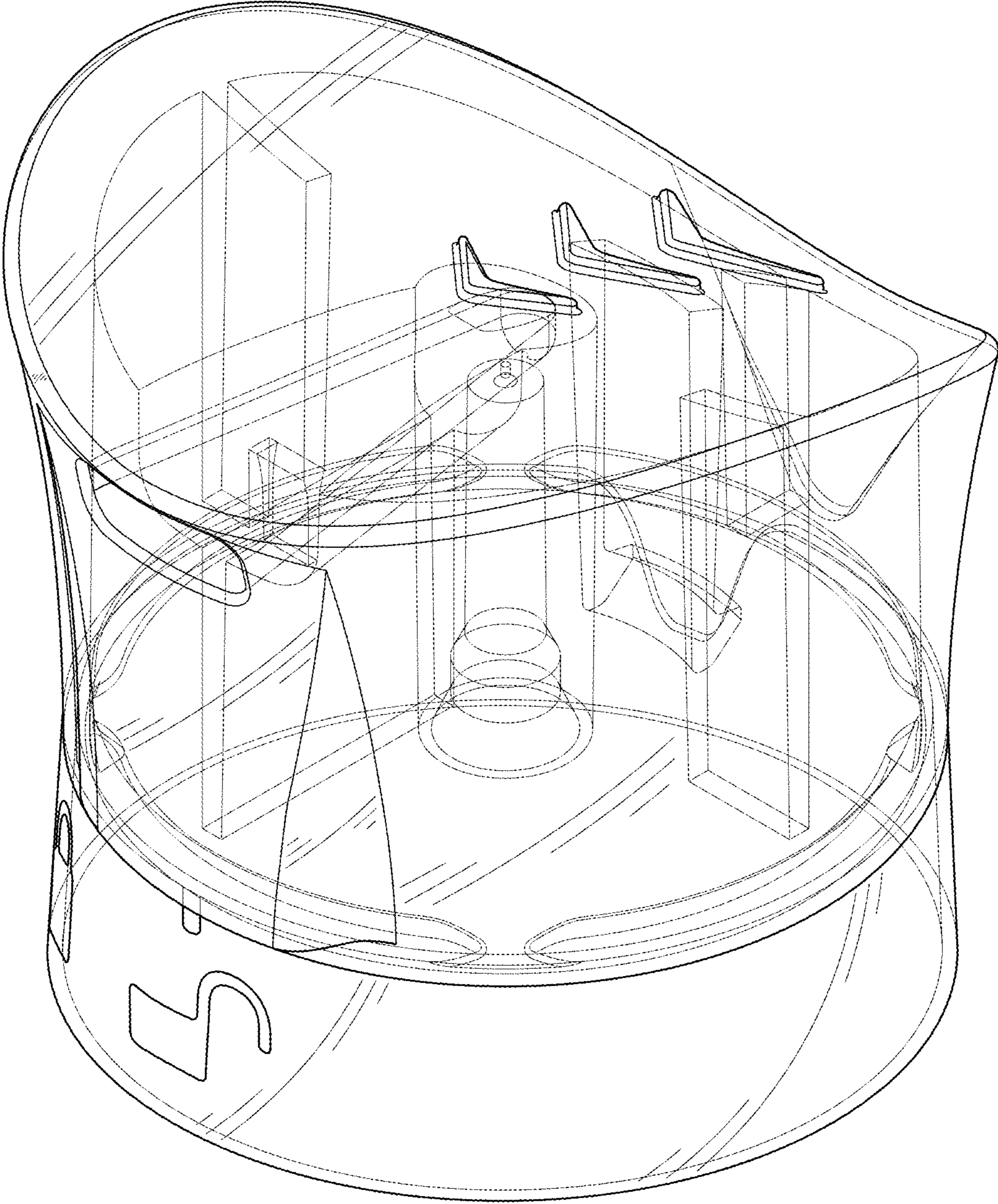


FIG. 1

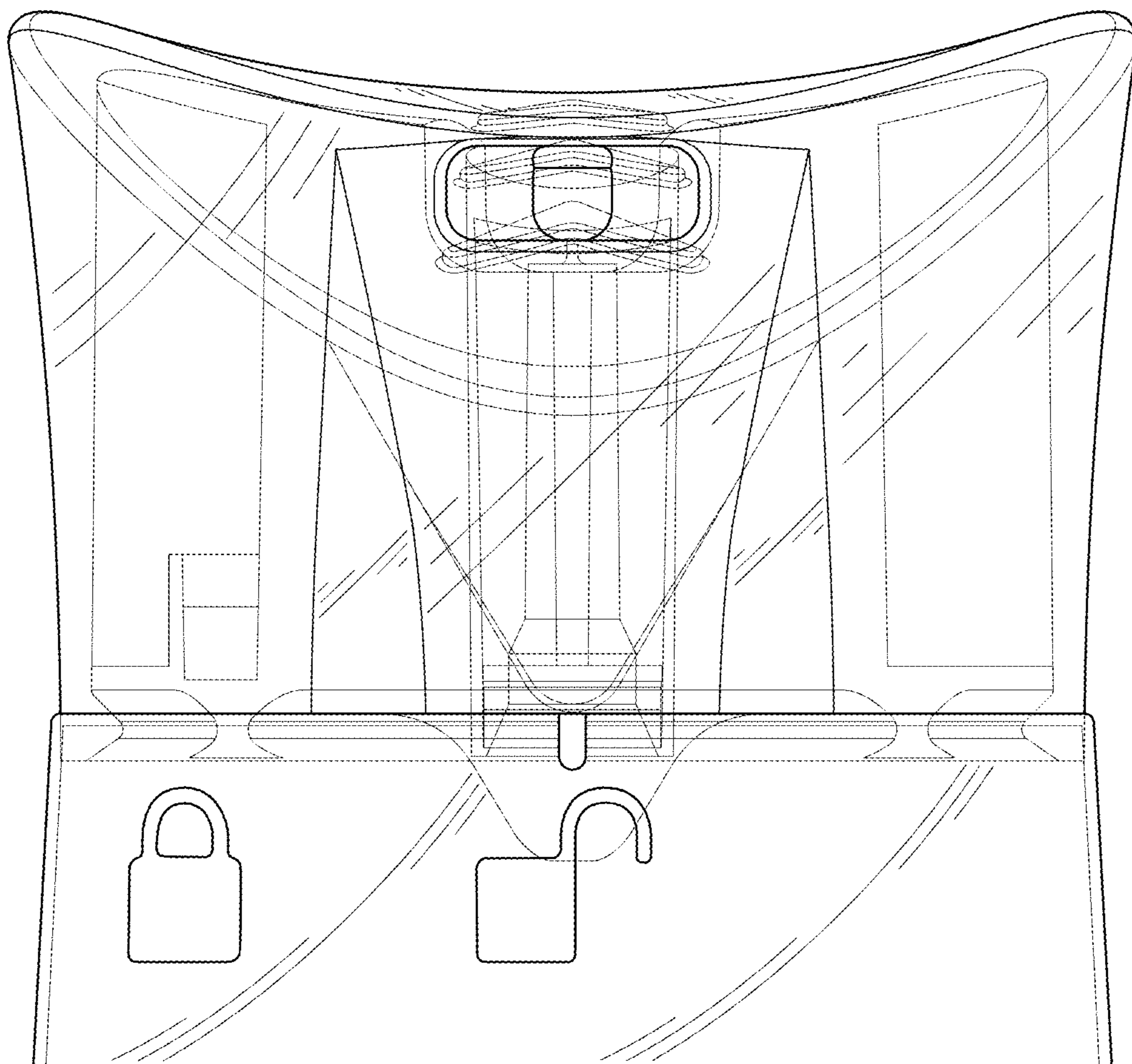


FIG. 2

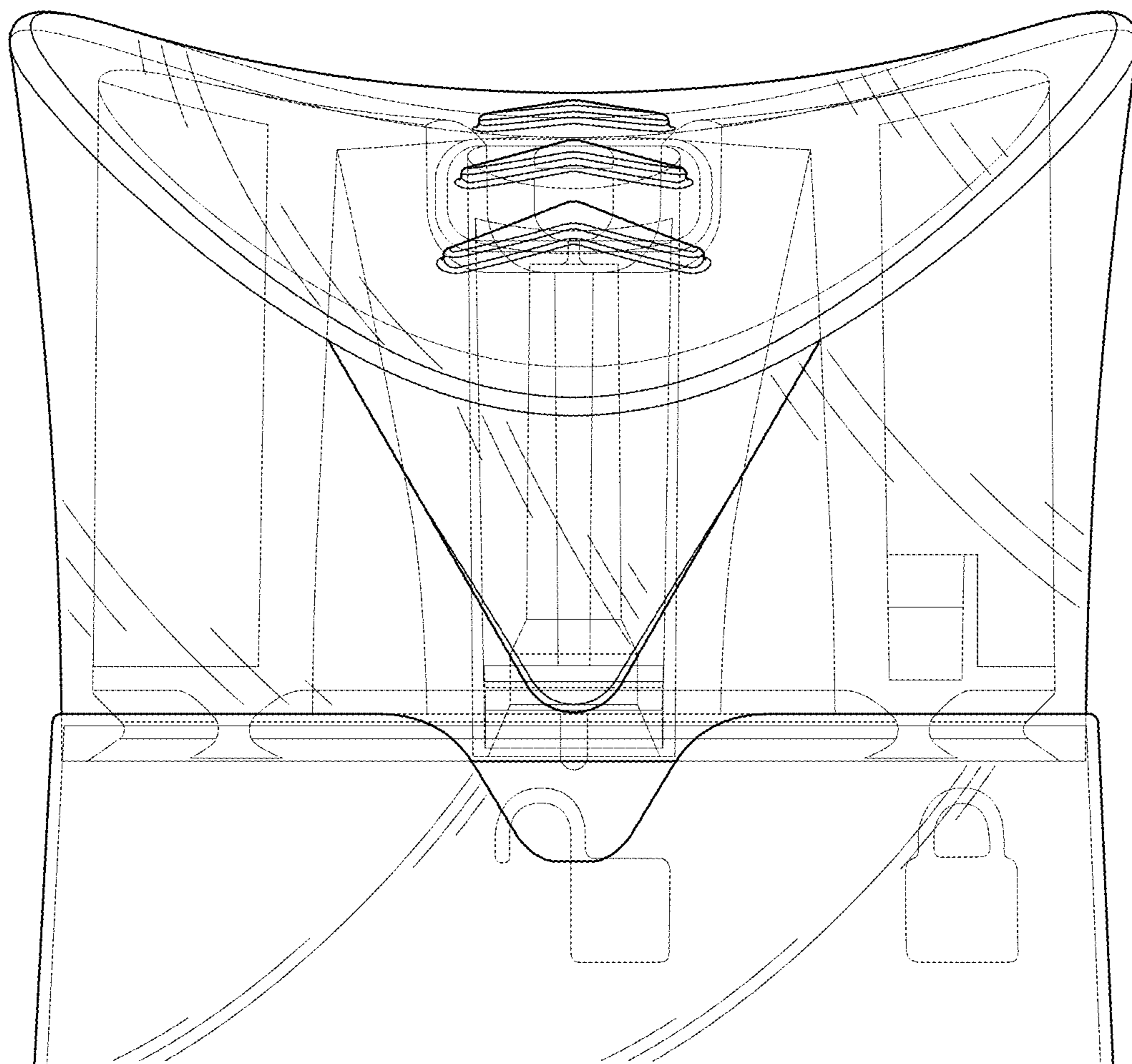


FIG. 3

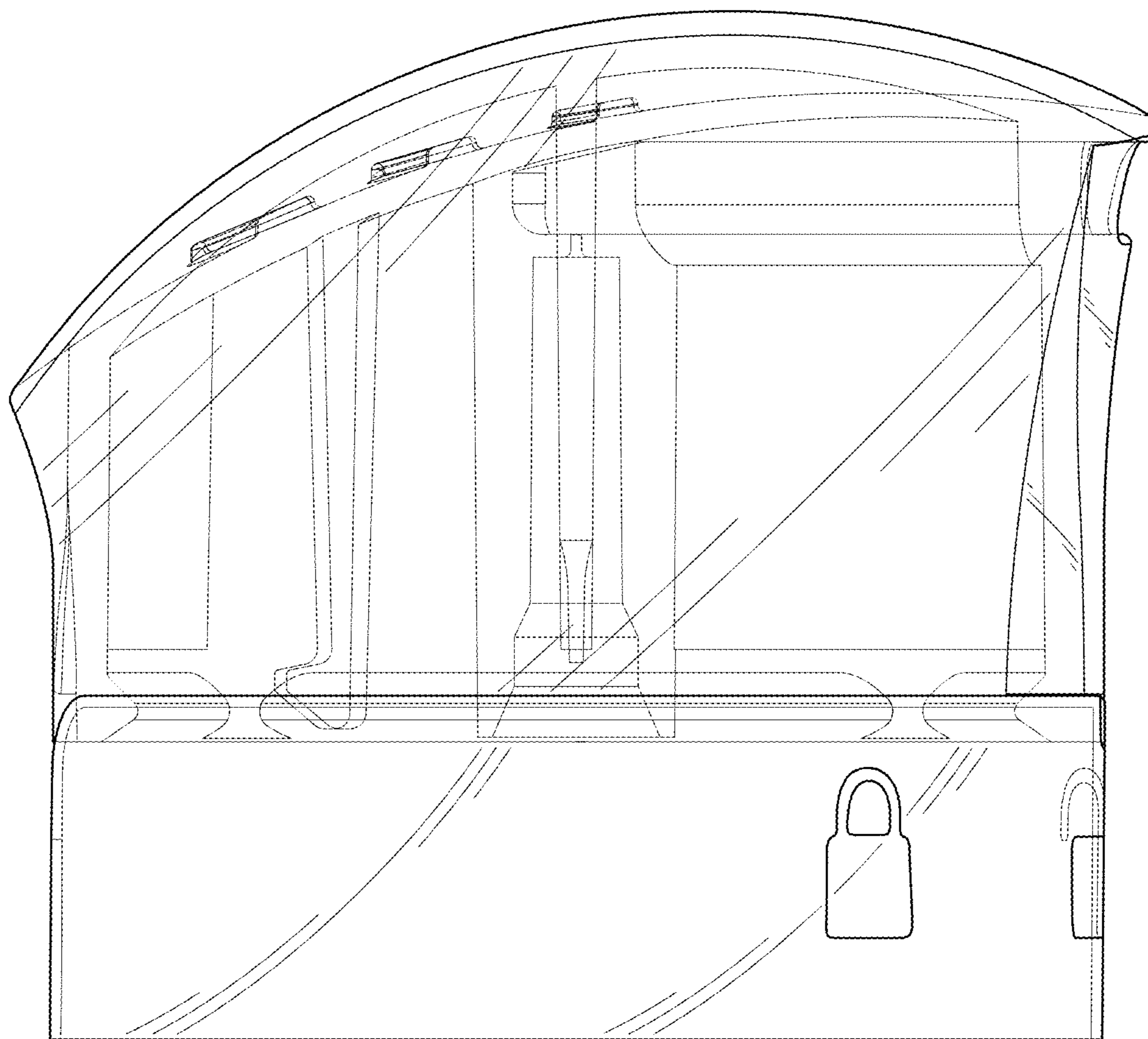


FIG. 4

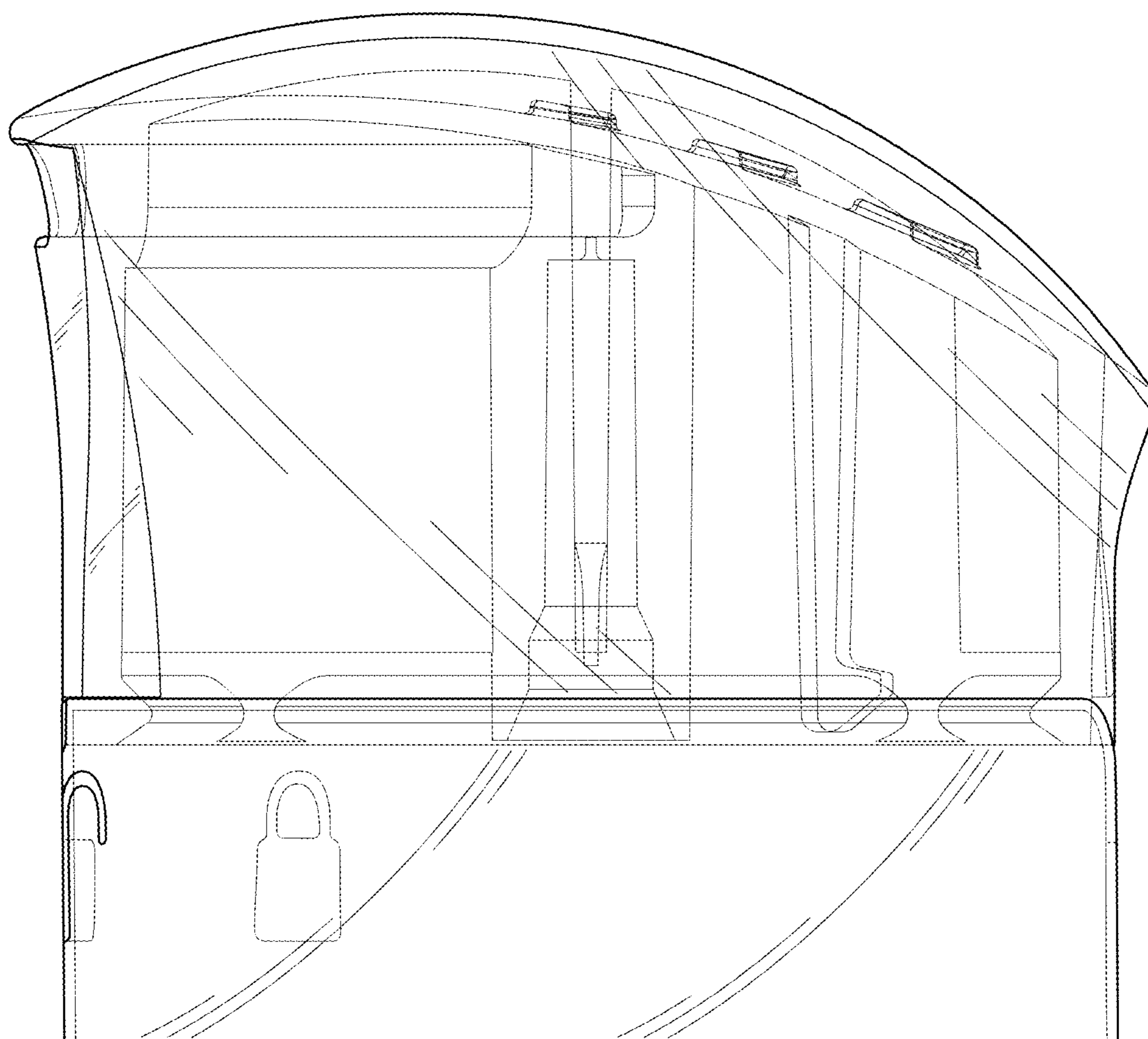


FIG. 5

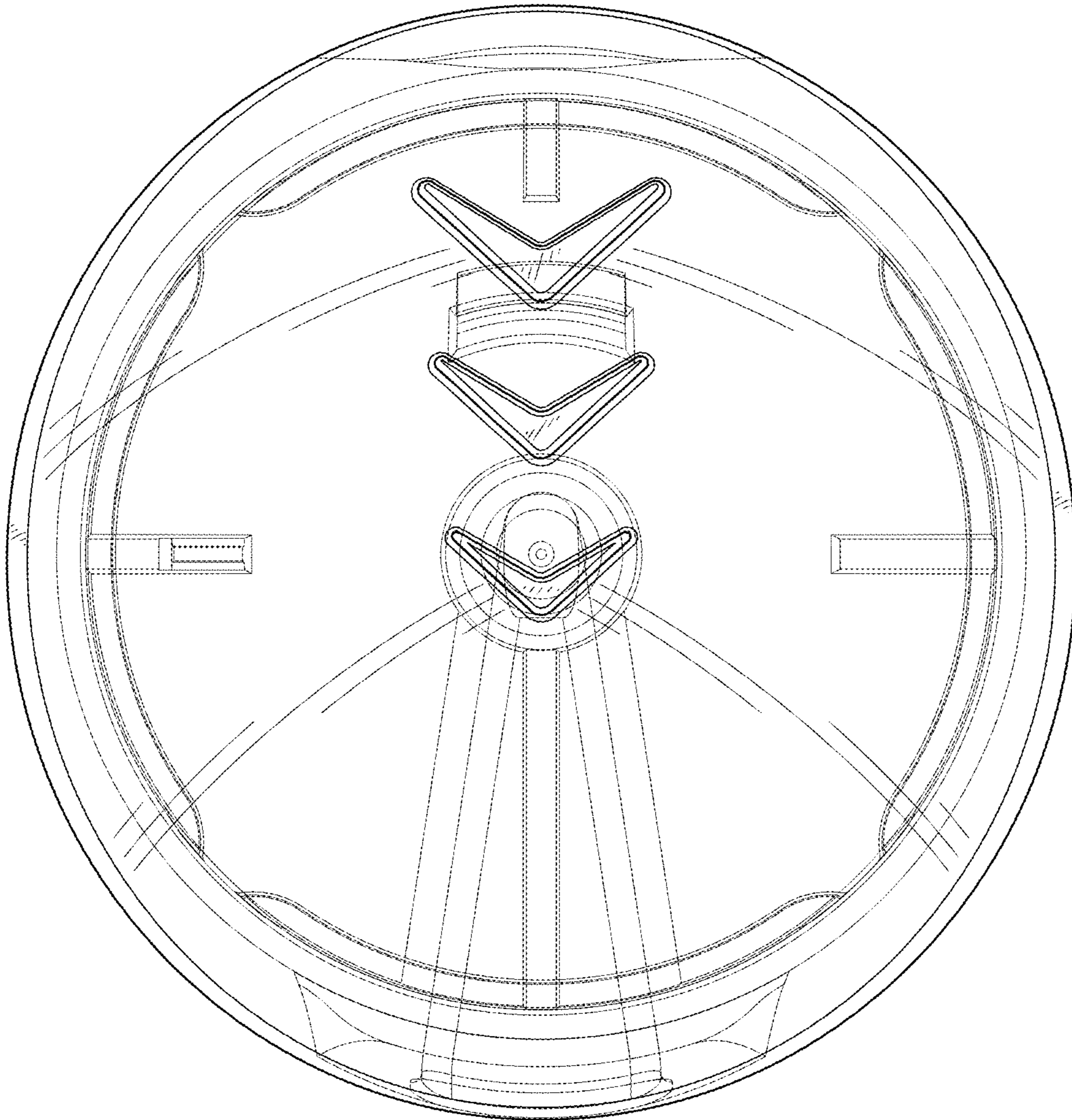


FIG. 6

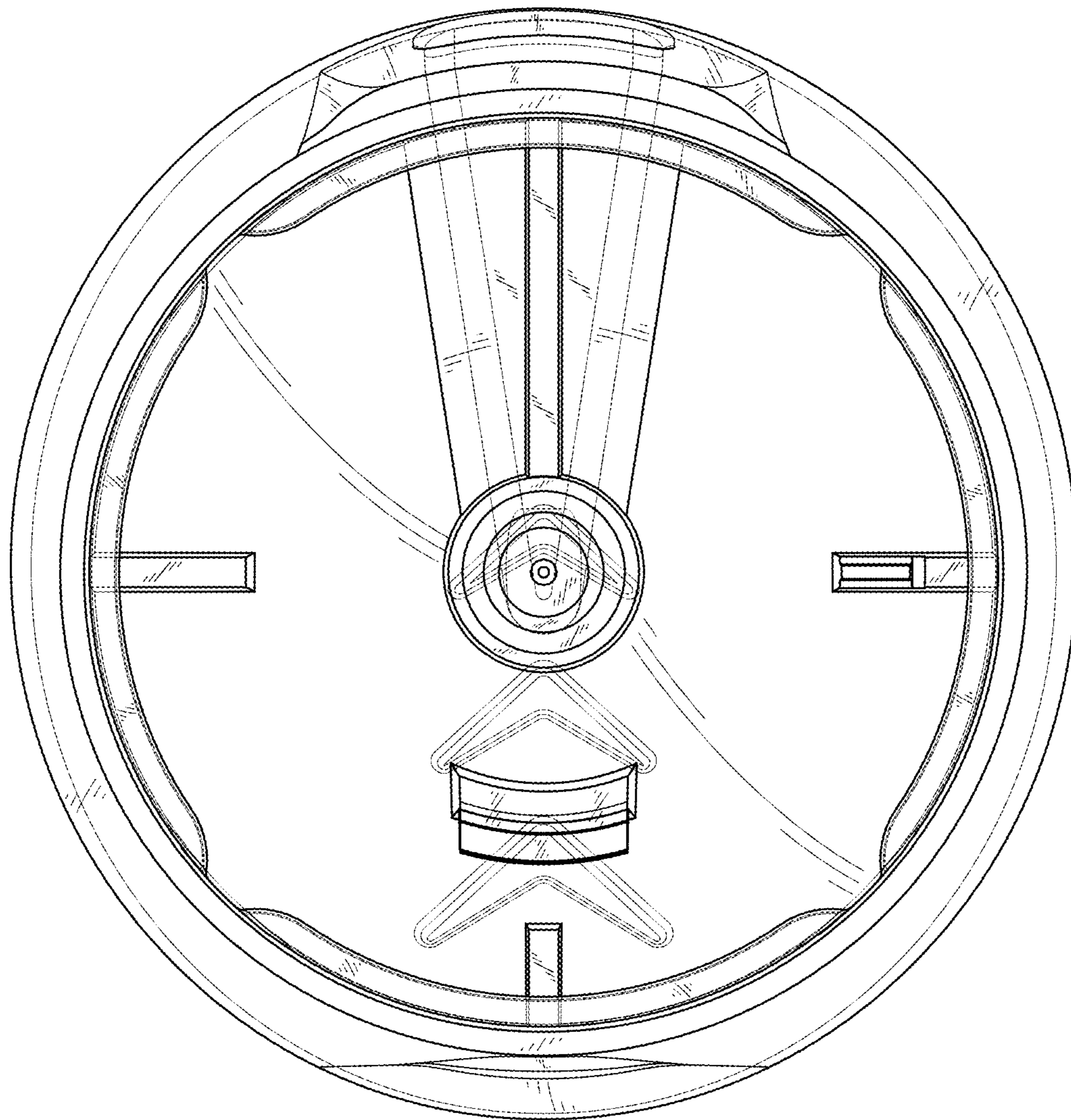


FIG. 7

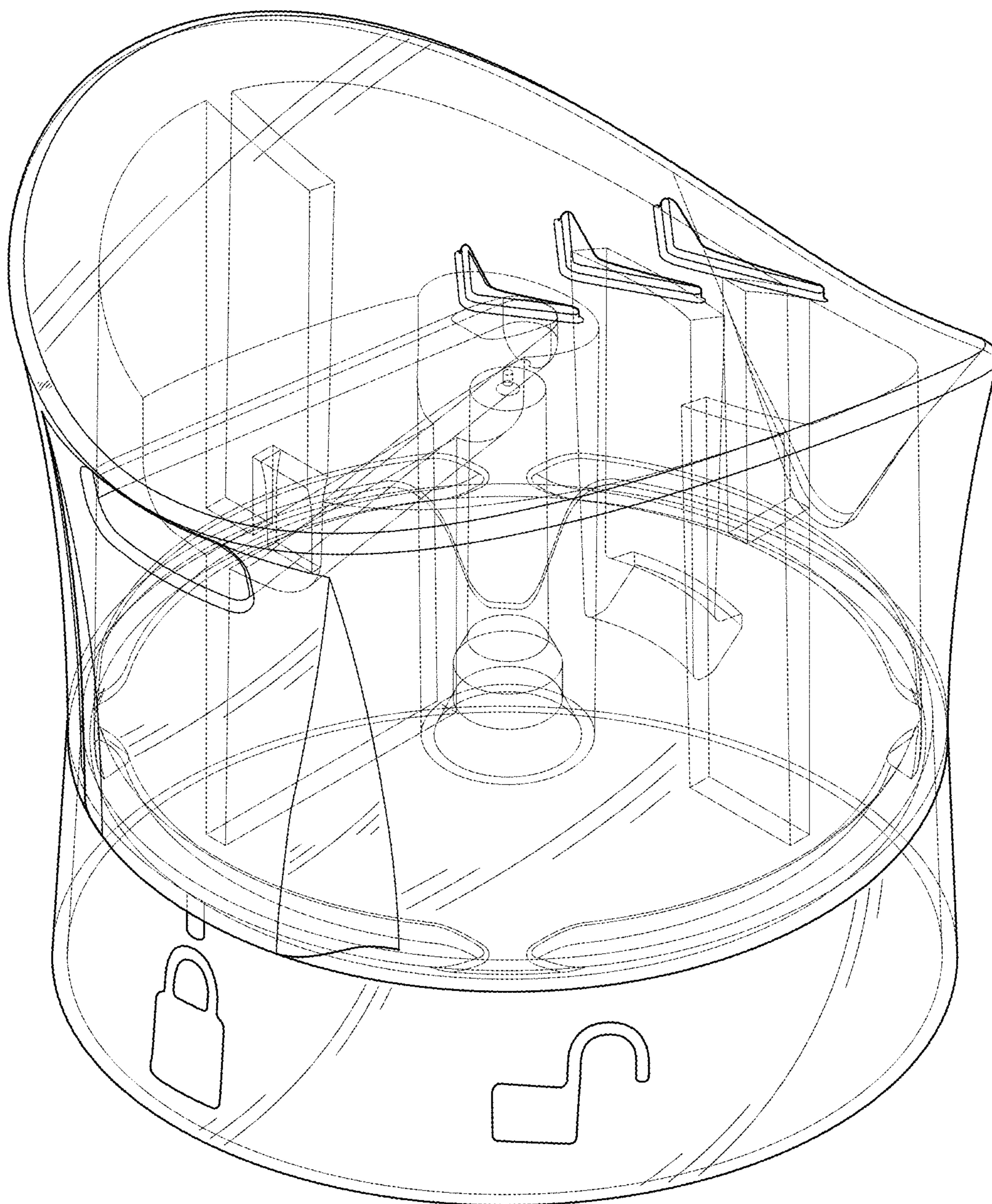


FIG. 8

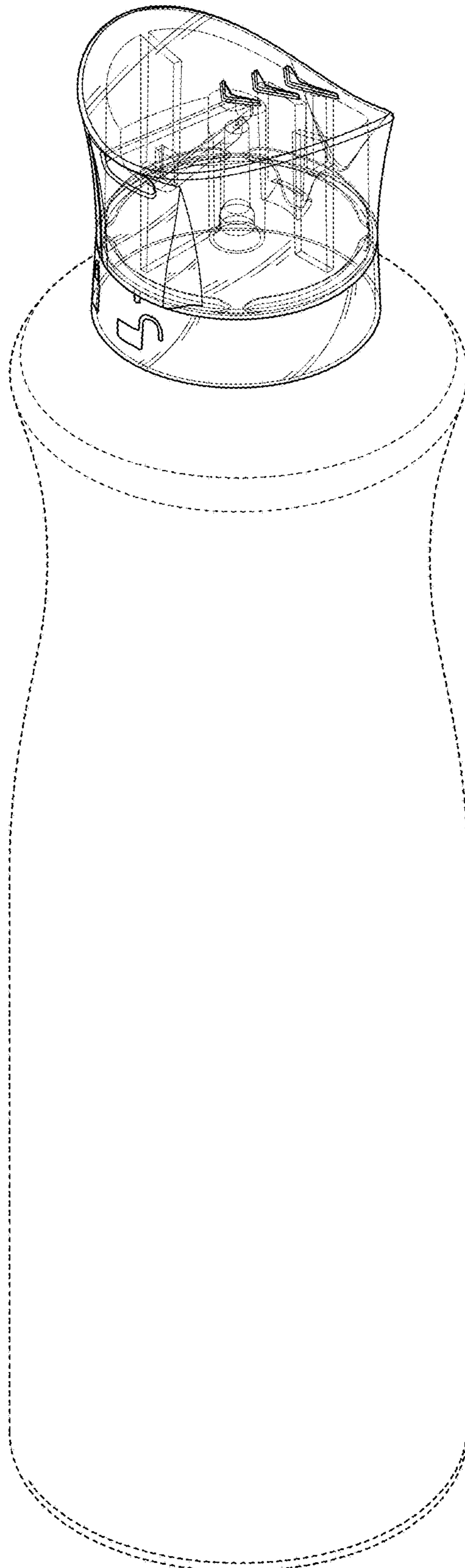


FIG. 9