



US00D813668S

(12) **United States Design Patent** (10) **Patent No.:** **US D813,668 S**
Miller (45) **Date of Patent:** **** Mar. 27, 2018**

(54) **LID**
(71) Applicant: **Anchor Hocking, LLC**, Lancaster, OH (US)
(72) Inventor: **Garet Riley Miller**, Chillicothe, OH (US)
(73) Assignee: **Anchor Hocking, LLC**, Lancaster, OH (US)

6,186,348 B1 2/2001 Rouët
D478,005 S * 8/2003 Sali D9/435
D528,910 S * 9/2006 Kingsley D7/392.1
7,152,750 B2 12/2006 Coffey
D585,558 S 1/2009 Feeley et al.
D615,816 S 5/2010 Joy et al.
D616,703 S 6/2010 Joy et al.
D618,065 S 6/2010 Joy et al.
D621,259 S 8/2010 Joy et al.

(Continued)

(**) Term: **15 Years**
(21) Appl. No.: **29/594,398**

FOREIGN PATENT DOCUMENTS

CA 2657834 A1 9/2010
CA 2697180 C 8/2014

(22) Filed: **Feb. 17, 2017**
(51) **LOC (11) Cl.** **09-06**
(52) **U.S. Cl.**
USPC **D9/446; D9/449**
(58) **Field of Classification Search**
USPC D9/414, 415, 424, 425, 434, 435, 436,
D9/443, 444-452, 454-456, 499, 529,
D9/682, 685, 686; D7/387, 391, 392,
D7/392.1, 396.1, 396.2, 396.3, 396.4,
D7/397, 398, 401.1, 507, 509-511, 538,
D7/900; D3/202, 203.2; D28/91, 91.1
CPC .. A61J 1/00; A61J 1/1412; B65D 1/00; B65D
1/02; B65D 1/10; B65D 1/46; B65D
2585/56; B65D 2585/545; B65D 41/00;
B65D 41/38; B65D 41/56; B65D 41/62;
B65D 47/00; B65D 47/06; B65D 47/08;
B65D 2543/00046; B65D 2543/00092;
B65D 2543/00296; B65D 5/46; B65D
2251/00

OTHER PUBLICATIONS

Glass Water Bottle with Active Flip Cap and Silicone Sleeve,
Lifefactory, 2017, downloaded from <https://www.lifefactory.com/collections/bottles>, 7 pgs.

(Continued)

Primary Examiner — Michael A. Pratt
Assistant Examiner — Wendy L Arminio
(74) *Attorney, Agent, or Firm* — Frost Brown Todd LLC

See application file for complete search history.

(57) **CLAIM**
The ornamental design for a lid, as shown and described.

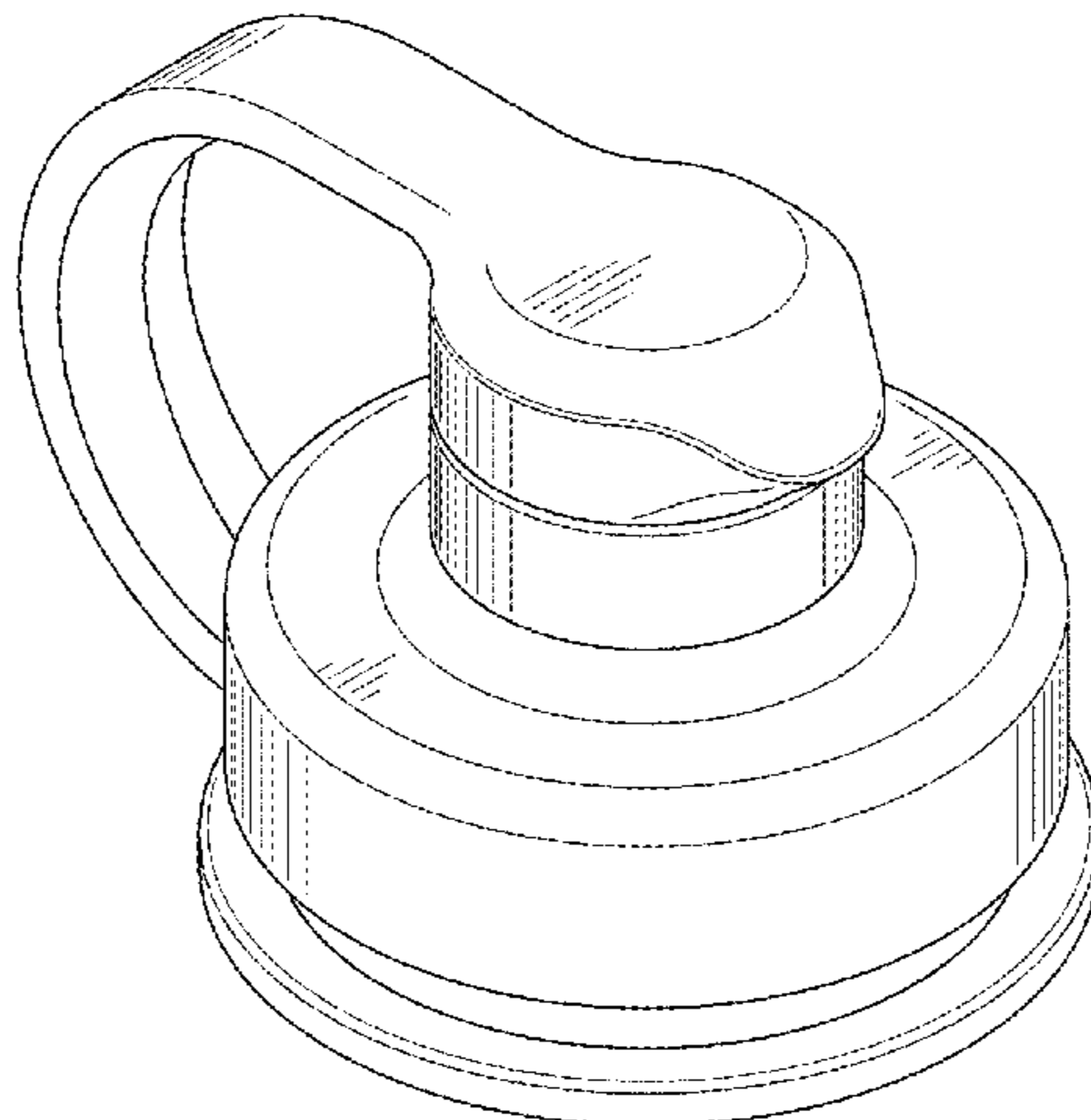
(56) **References Cited**
U.S. PATENT DOCUMENTS

DESCRIPTION

FIG. 1 is a top perspective view of a lid showing the new design.
FIG. 2 is a front view thereof.
FIG. 3 is a rear view thereof.
FIG. 4 is a side view thereof, the opposite side view being a mirror image thereof.
FIG. 5 is a top view thereof.
FIG. 6 is a bottom view thereof; and,
FIG. 7 is a top perspective view thereof, shown with a portion of the lid opened.

3,117,702 A * 1/1964 Henchert B65D 47/10
222/543
D306,265 S * 2/1990 Leebeek D9/435

1 Claim, 5 Drawing Sheets



(56)

References Cited

U.S. PATENT DOCUMENTS

D621,260 S * 8/2010 Brannon D9/446
 D643,722 S * 8/2011 Gorskey D9/439
 8,365,947 B2 2/2013 Solomon
 D681,458 S * 5/2013 Santarelli D9/443
 8,579,133 B2 11/2013 Marcus et al.
 D700,806 S 3/2014 Joy
 D707,087 S 6/2014 Joy
 D714,142 S * 9/2014 Hojo D9/436
 D719,788 S 12/2014 Soltz et al.
 8,978,906 B2 3/2015 Feeley et al.
 D741,176 S * 10/2015 Bell D9/446
 9,227,761 B2 1/2016 Knaack
 9,266,643 B2 2/2016 Marcus et al.
 D750,490 S * 3/2016 Moore D9/446
 D753,998 S * 4/2016 Murphey D9/446
 D761,623 S 7/2016 Leimone
 D763,076 S * 8/2016 Lane D9/446
 D767,390 S * 9/2016 Miksovsky D7/392.1
 D769,671 S * 10/2016 Bielawski D7/392.1
 D769,713 S * 10/2016 Moore D9/446
 9,468,323 B2 10/2016 Gardner
 D772,021 S 11/2016 Joy
 D772,656 S 11/2016 Joy
 D776,533 S * 1/2017 Kikel D9/446
 D778,666 S * 2/2017 De Leo D7/392
 D781,113 S 3/2017 Kocsis
 D789,201 S * 6/2017 Yu D9/453
 D796,961 S * 9/2017 Klein D9/522
 D797,555 S * 9/2017 Carlson D9/436
 D802,743 S * 11/2017 Davis D24/108
 2005/0184026 A1 * 8/2005 Haley B65D 47/06
 215/306

2008/0078824 A1 4/2008 Spriegel et al.
 2009/0028999 A1 * 1/2009 Melisch C12C 11/003
 426/8
 2010/0044334 A1 2/2010 Barlow
 2010/0224585 A1 9/2010 Feeley et al.
 2011/0006028 A1 1/2011 Caldwell
 2011/0127280 A1 6/2011 Lown
 2011/0198310 A1 8/2011 Deitelbaum et al.
 2012/0061342 A1 3/2012 Perrot
 2012/0074091 A1 3/2012 Himmelstein
 2014/0069888 A1 3/2014 Warden et al.
 2014/0332440 A1 11/2014 Marcus et al.
 2014/0339244 A1 11/2014 Arnold
 2015/0096956 A1 4/2015 Lin et al.
 2015/0250683 A1 9/2015 Cross
 2015/0250684 A1 9/2015 Cross
 2015/0359366 A1 12/2015 Yan et al.
 2016/0023812 A1 * 1/2016 Kikel B65D 41/02
 235/492
 2016/0167845 A1 6/2016 Harvey
 2016/0213181 A1 7/2016 Gonzalez, II
 2016/0244206 A1 8/2016 Coplin
 2016/0270575 A1 9/2016 Panone
 2016/0362226 A1 12/2016 Marcus et al.
 2017/0057691 A1 3/2017 Clark
 2017/0101244 A1 4/2017 Tavares
 2017/0181558 A1 6/2017 Shieh

OTHER PUBLICATIONS

Water Bottles and Replacement Parts, Zulu Athletic by Leapfrog Brands, 2017, downloaded from <http://zuluathletic.com/all-products/>, 2 pgs.

* cited by examiner

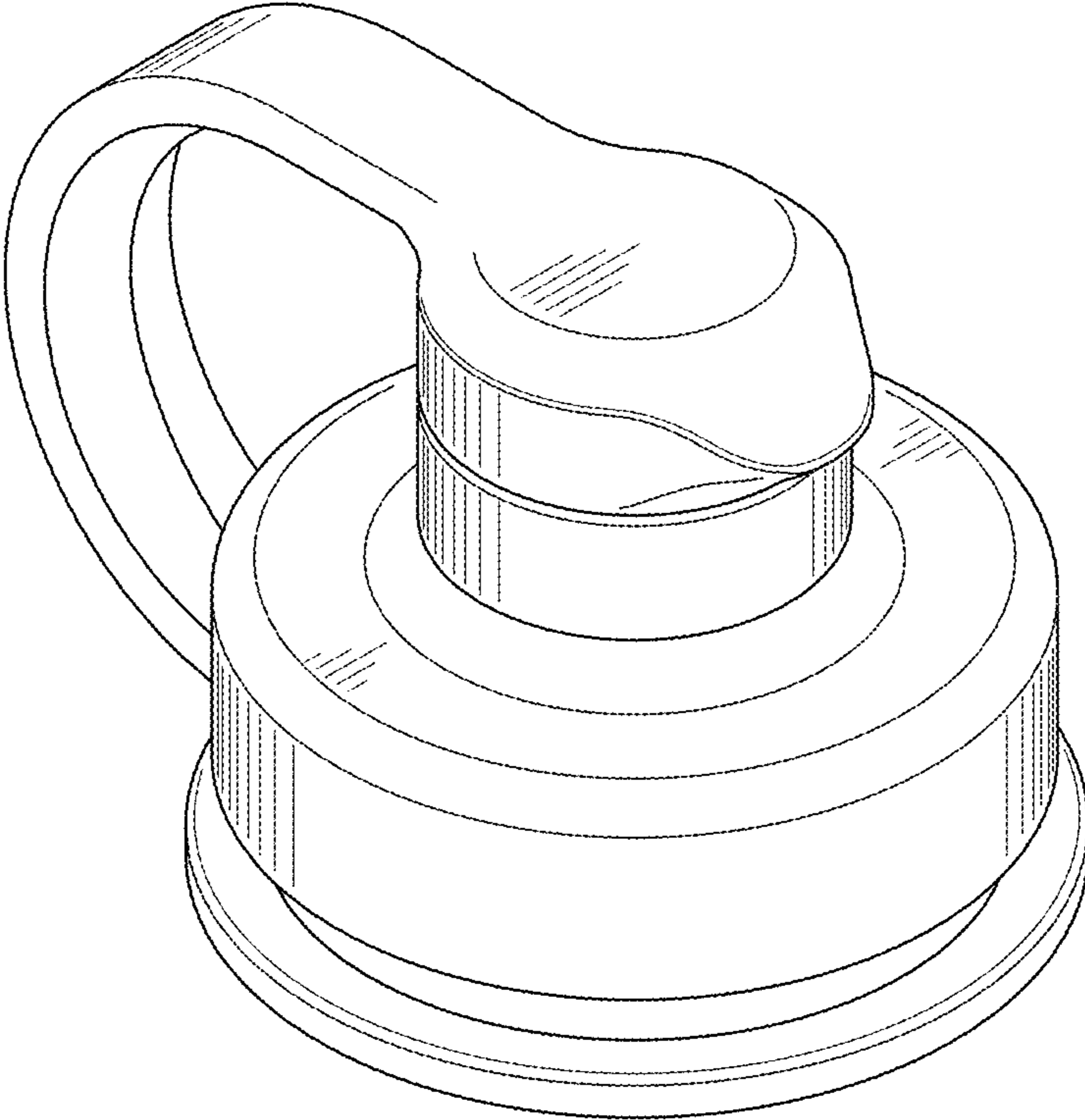


FIG.1

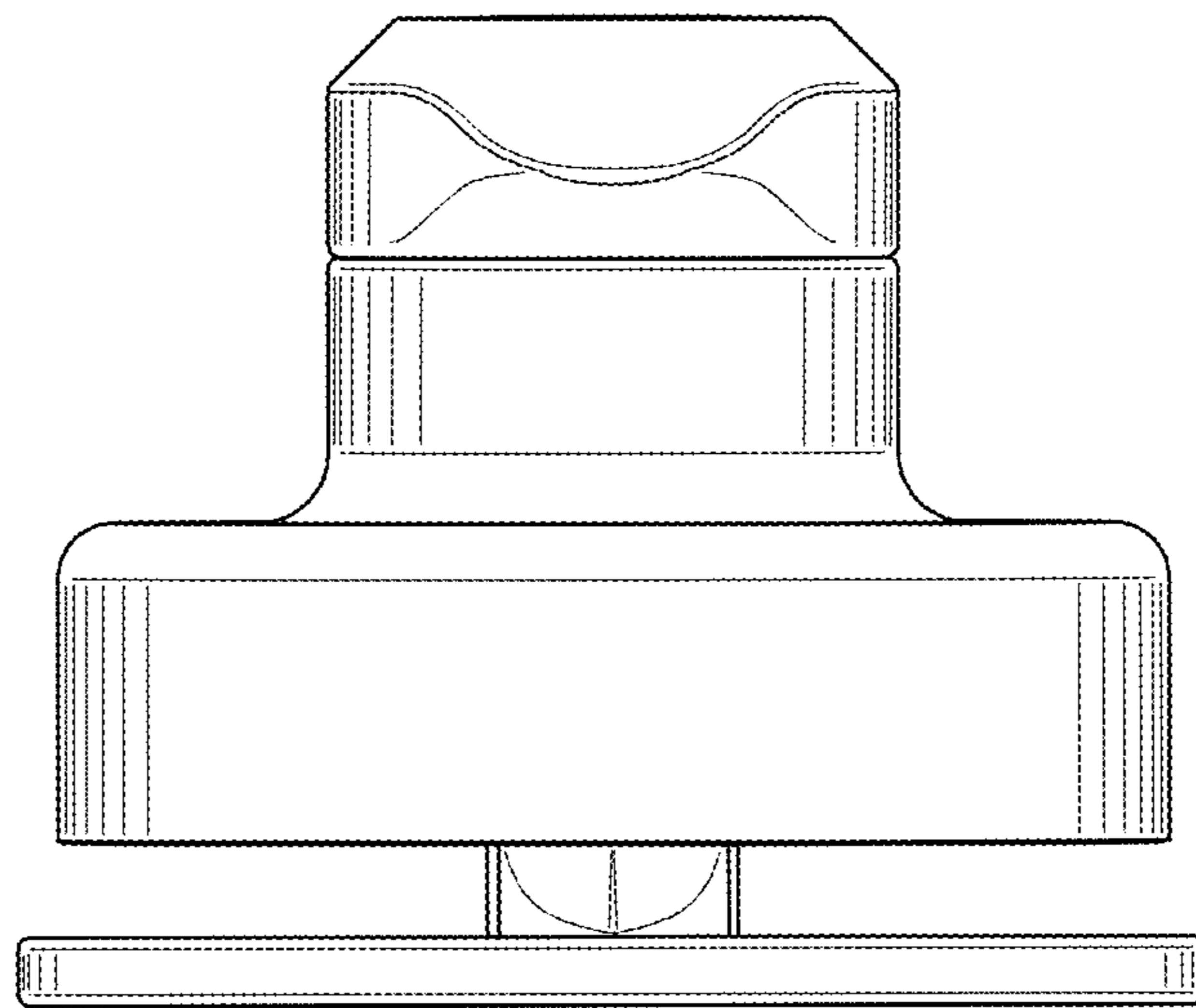


FIG. 2

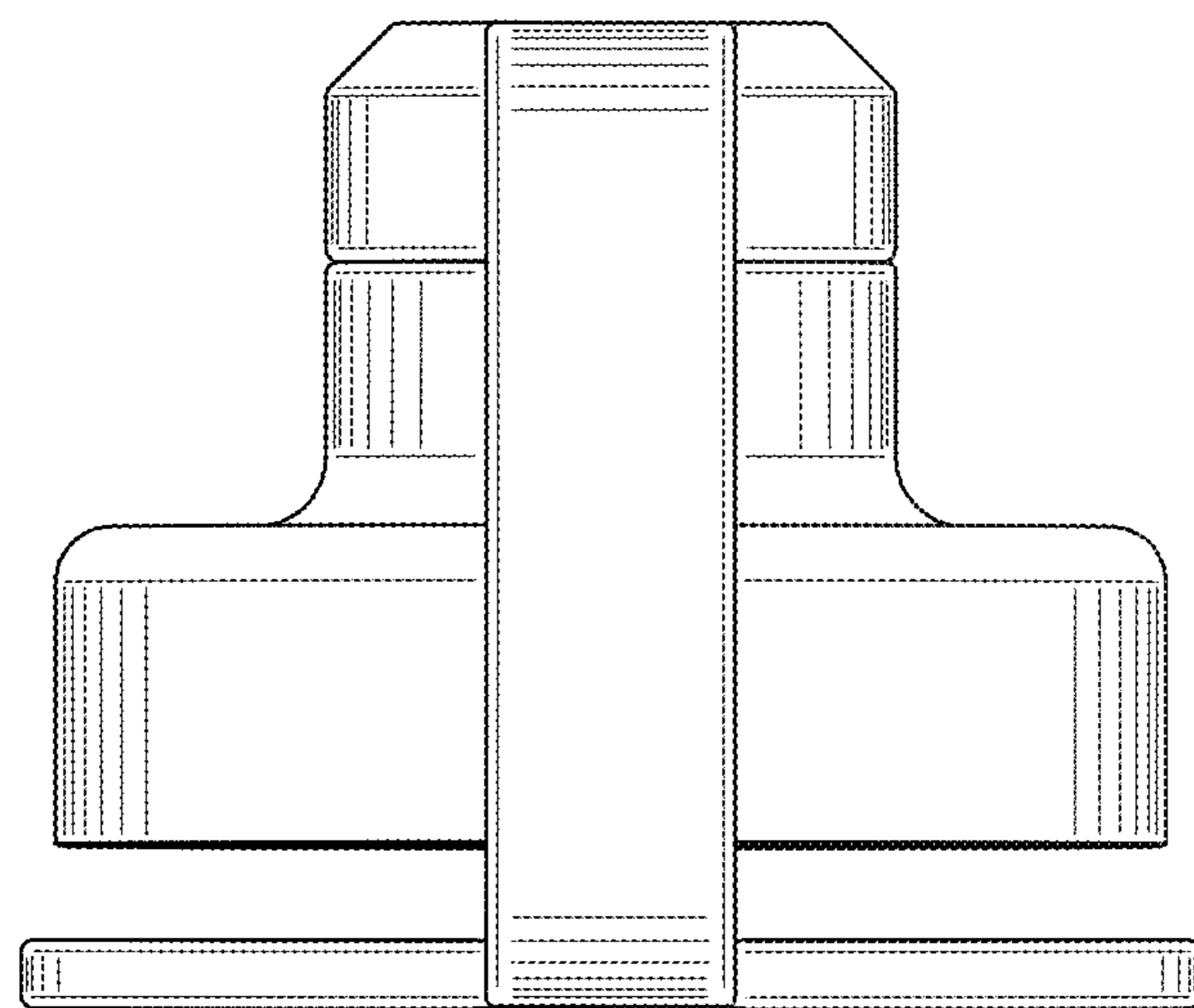


FIG. 3

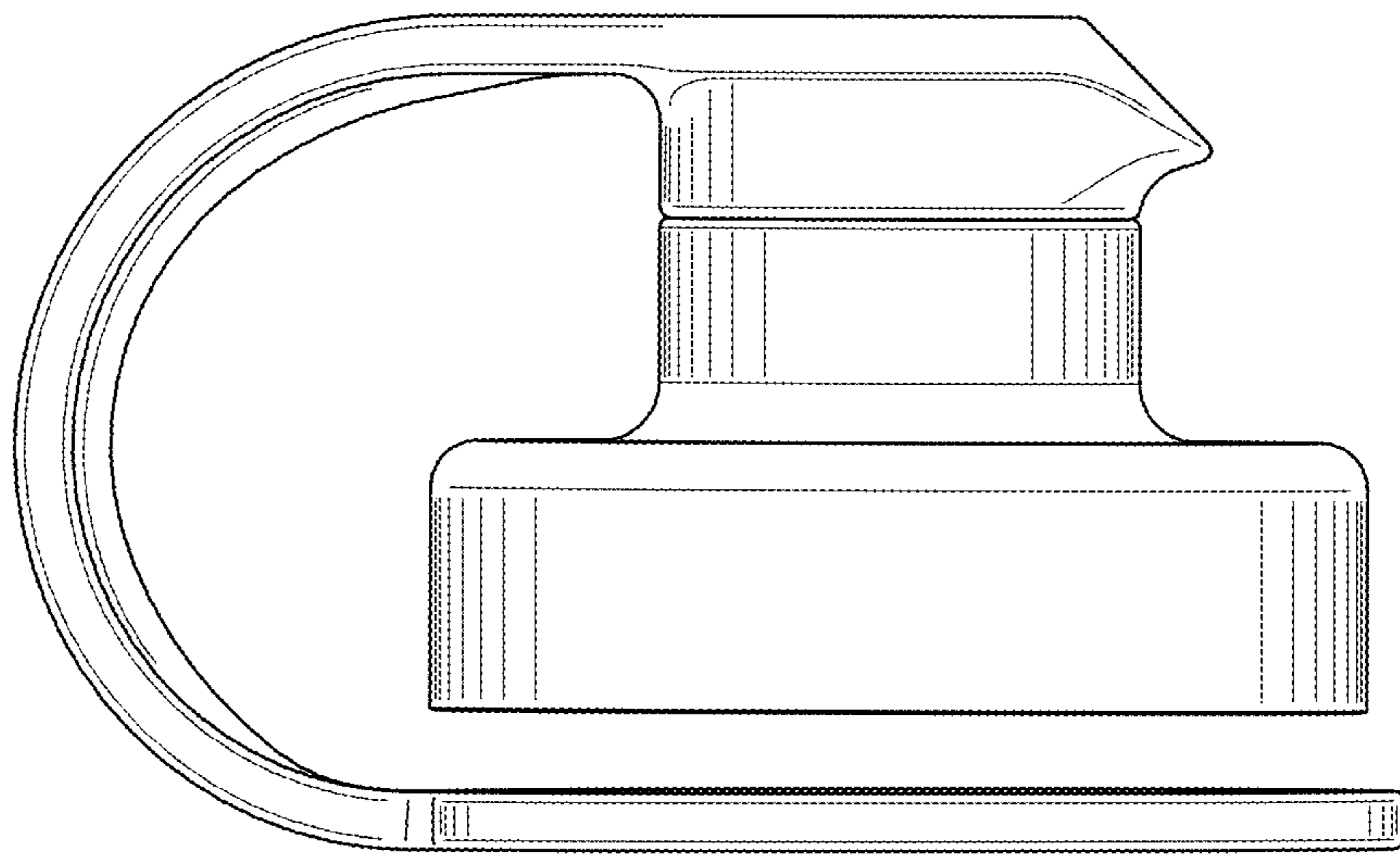


FIG. 4

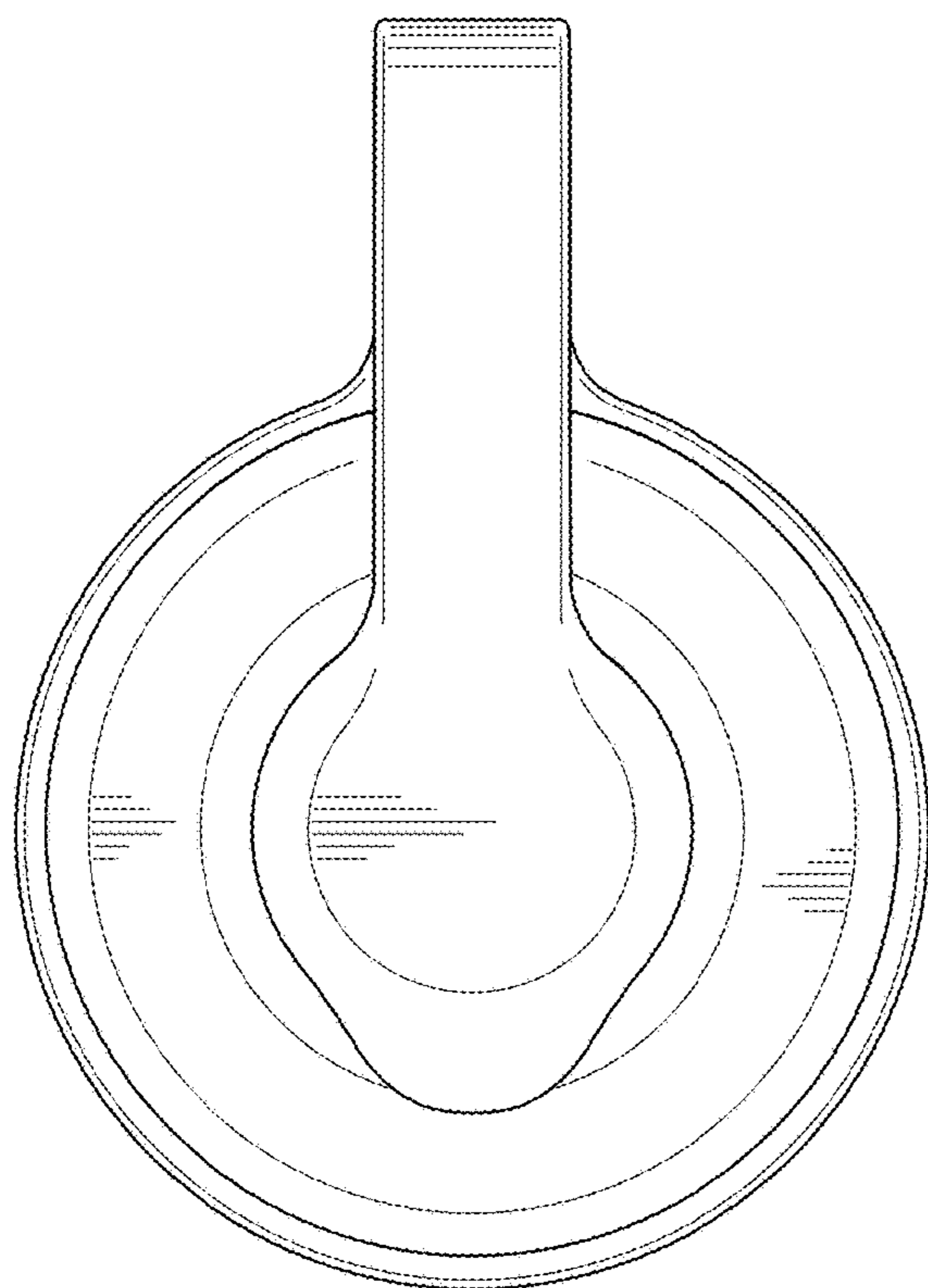


FIG. 5

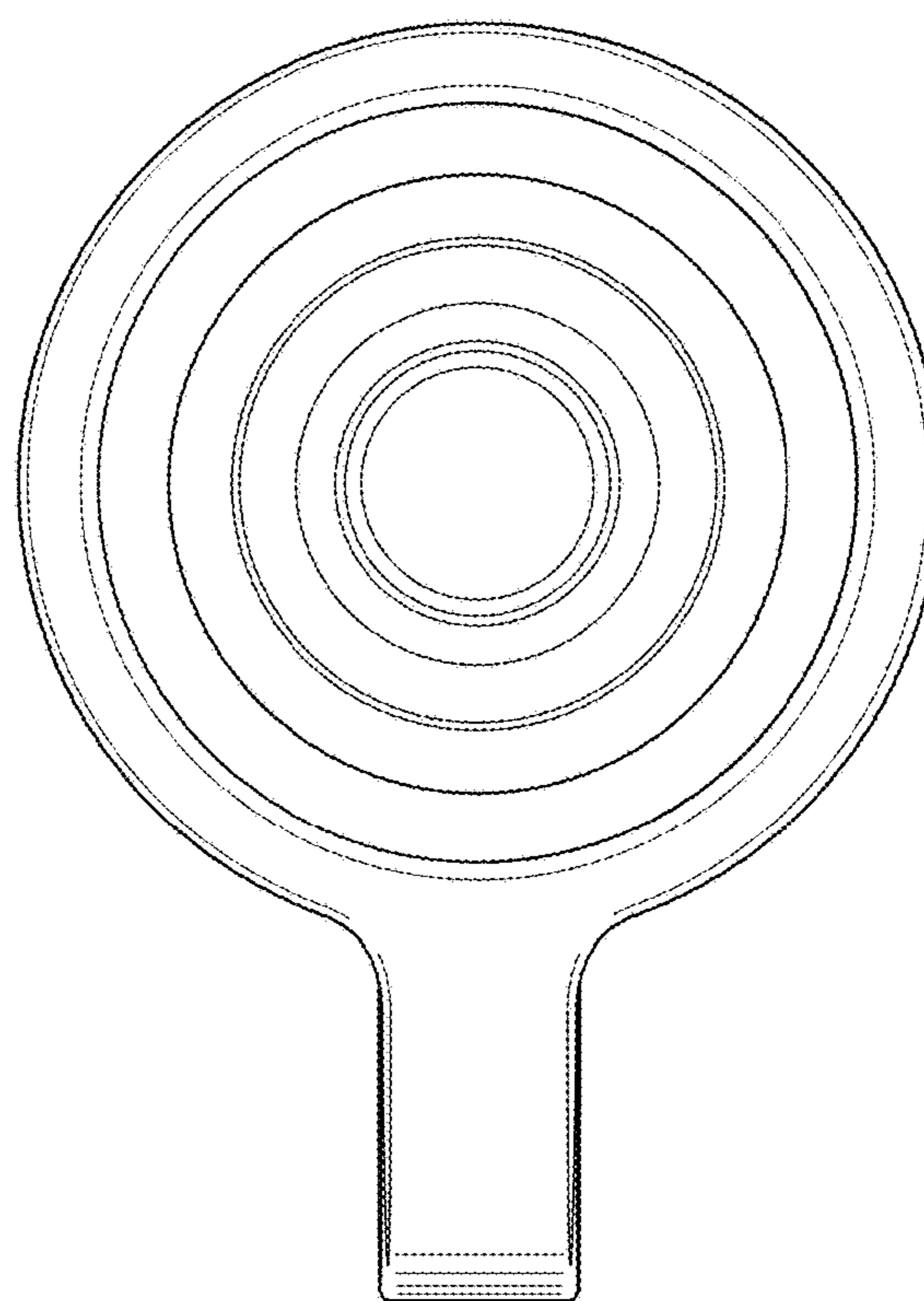


FIG. 6

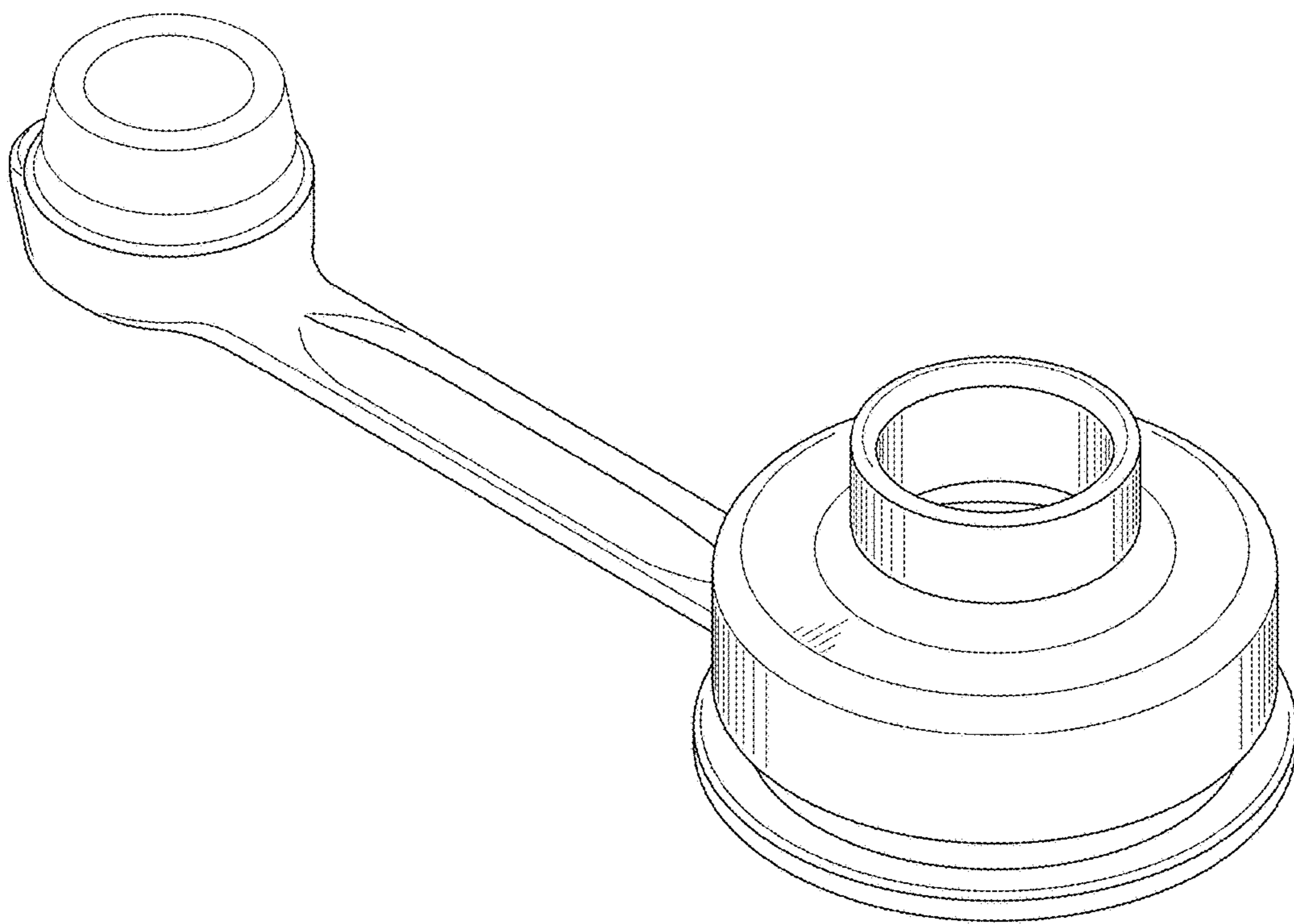


FIG. 7