



US00D813667S

(12) **United States Design Patent**  
**Shimizu**

(10) **Patent No.:** **US D813,667 S**  
(45) **Date of Patent:** **\*\* Mar. 27, 2018**

- (54) **PACKAGING BOX**
- (71) Applicant: **RIKEN TECHNOS CORPORATION**,  
Tokyo (JP)
- (72) Inventor: **Motohiro Shimizu**, Tokyo (JP)
- (73) Assignee: **Riken Technos Corporation**, Tokyo  
(JP)
- (\*\*) Term: **15 Years**
- (21) Appl. No.: **29/560,534**
- (22) Filed: **Apr. 7, 2016**

- D542,131 S 5/2007 Egawa
  - D596,057 S \* 7/2009 Byrum ..... D10/71
  - D612,273 S \* 3/2010 Eras ..... G01B 3/004  
D10/71
  - D632,986 S \* 2/2011 Forhan ..... D10/71
- (Continued)

**Related U.S. Application Data**

- (62) Division of application No. 29/492,623, filed on Jun. 2, 2014, now Pat. No. Des. 769,115.
- (51) **LOC (11) Cl.** ..... **09-03**
- (52) **U.S. Cl.**  
USPC ..... **D9/434**
- (58) **Field of Classification Search**  
USPC ..... D9/414-419, 430-434, 614, 621-624,  
D9/721-722; D3/272-274, 290, 304,  
D3/305, 315; D20/10, 22, 27, 40, 42  
CPC ..... B65D 5/00; B65D 5/0015; B65D 5/061;  
B65D 5/18; B65D 5/20; B65D 5/32;  
B65D 5/321; B65D 5/322  
See application file for complete search history.

(56) **References Cited**

**U.S. PATENT DOCUMENTS**

- D195,430 S 6/1963 Mapes
- D305,841 S \* 2/1990 MacQueen ..... D3/304
- D351,555 S 10/1994 Blott
- 5,476,218 A \* 12/1995 Reisman ..... B65D 5/18  
206/425
- D447,685 S 9/2001 Chagnon
- D469,974 S \* 2/2003 Scribner ..... D6/407
- 7,007,426 B1 \* 3/2006 Ohlman, III ..... B65D 85/52  
47/84

**OTHER PUBLICATIONS**

Notice of Allowance, dated Aug. 12, 2016, Co-pending Parent U.S. Appl. No. 29/492,623.

*Primary Examiner* — Vy N Koenig

(74) *Attorney, Agent, or Firm* — Adam K. Sacharoff;  
Much Shelist, P.C.

(57) **CLAIM**

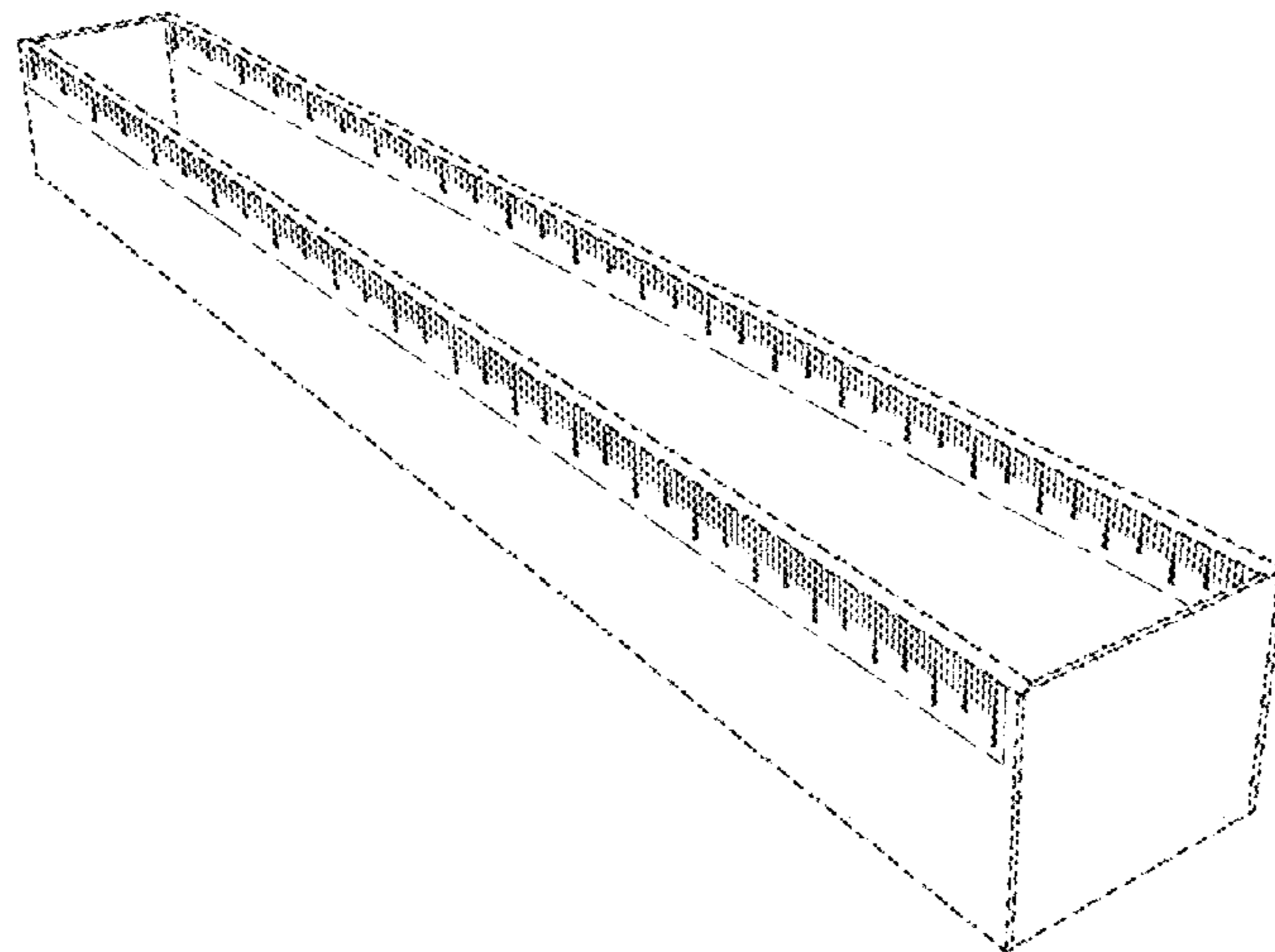
The ornamental design for a packaging box, as shown and described.

**DESCRIPTION**

FIG. 1 is a perspective view of a packaging box;  
 FIG. 2 is a front perspective view of the lower box component of the packaging box from FIG. 1, shown separately for ease of illustration;  
 FIG. 3 is a rear perspective view of FIG. 2;  
 FIG. 4 is a front view of FIG. 2;  
 FIG. 5 is a rear view of FIG. 2;  
 FIG. 6 is a top plan view of FIG. 2;  
 FIG. 7 is a bottom plan view of FIG. 2;  
 FIG. 8 is a right side view of FIGS. 2; and,  
 FIG. 9 is a left side view of FIG. 2.

The dash-dot lines represent unclaimed boundaries of the design. These boundaries may not exist in reality in the article embodying the design. It is understood that the claims design and the ruler marks surface ornamentation extends to these boundaries but does not include the boundaries. Other lines depicted as dash lines represent environmental structure forming no part of the claimed designs.

**1 Claim, 3 Drawing Sheets**



(56)

**References Cited**

U.S. PATENT DOCUMENTS

D657,239 S	4/2012	Gavrilenkov	
D708,514 S	7/2014	Kiamilev	
D769,115 S *	10/2016	Shimizu .....	D9/432
D787,324 S *	5/2017	Sotka .....	D9/433
2017/0050759 A1 *	2/2017	Shimizu .....	B65D 85/672

\* cited by examiner

FIG. 1

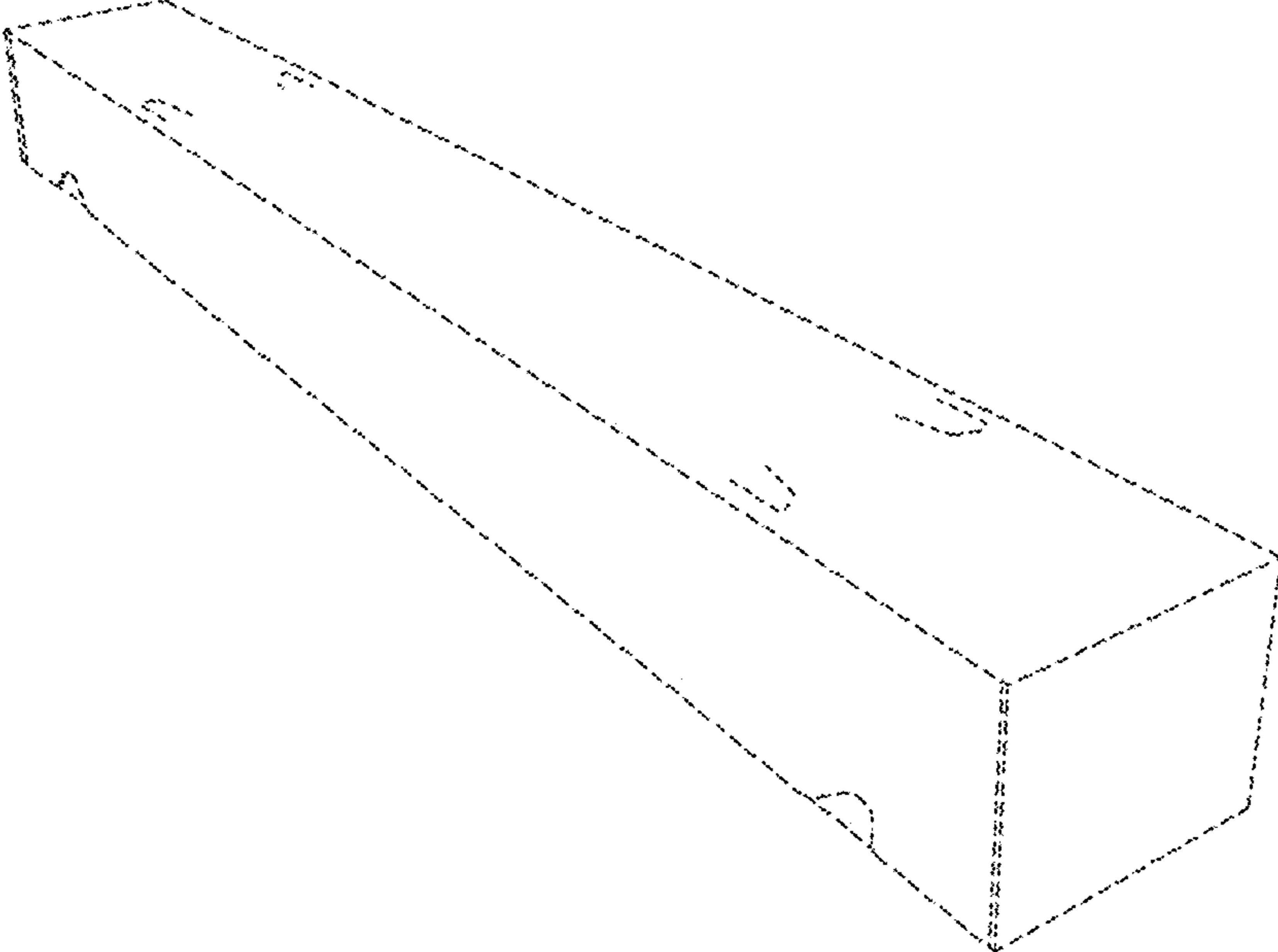


FIG. 2

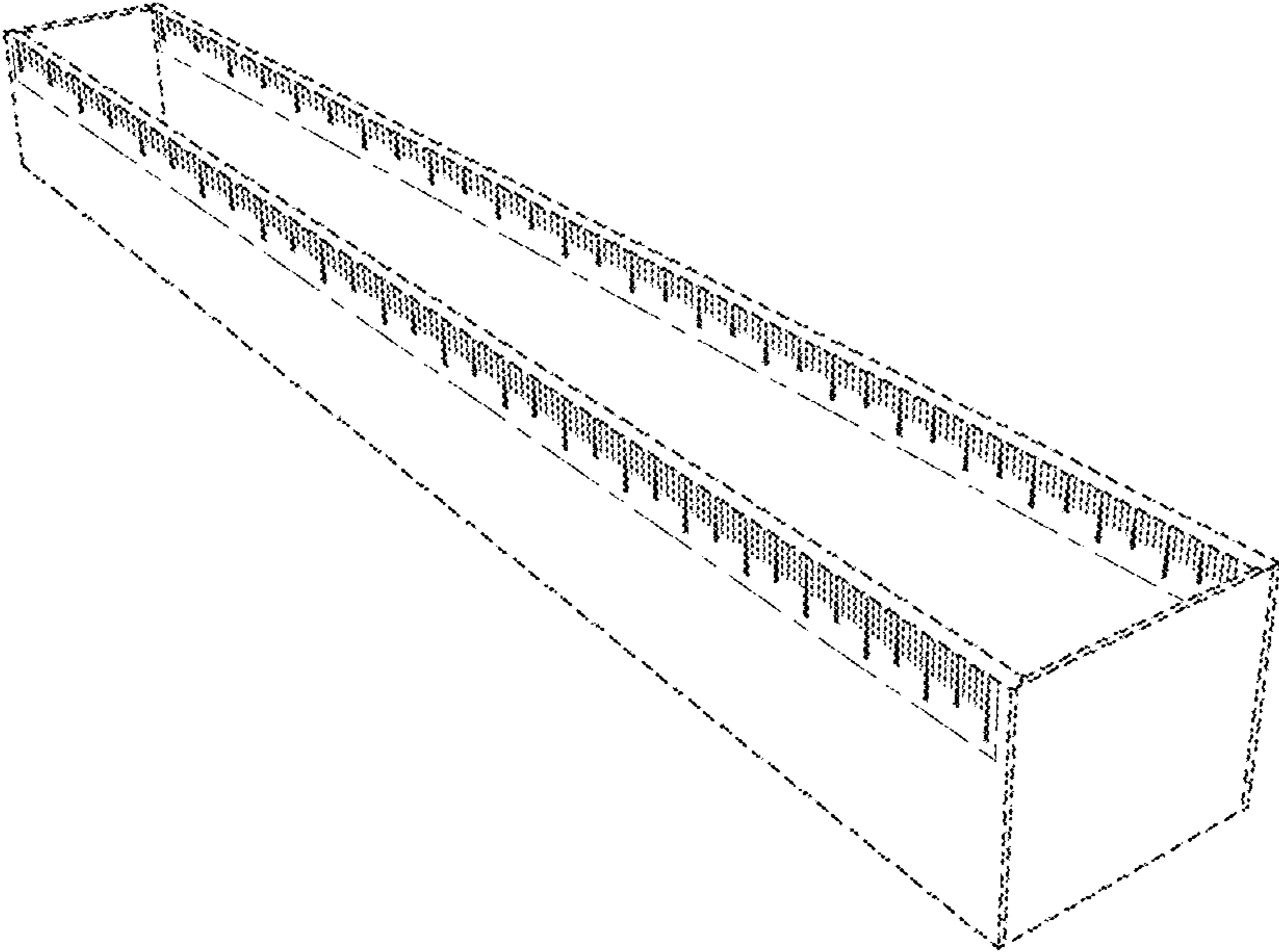


FIG. 3

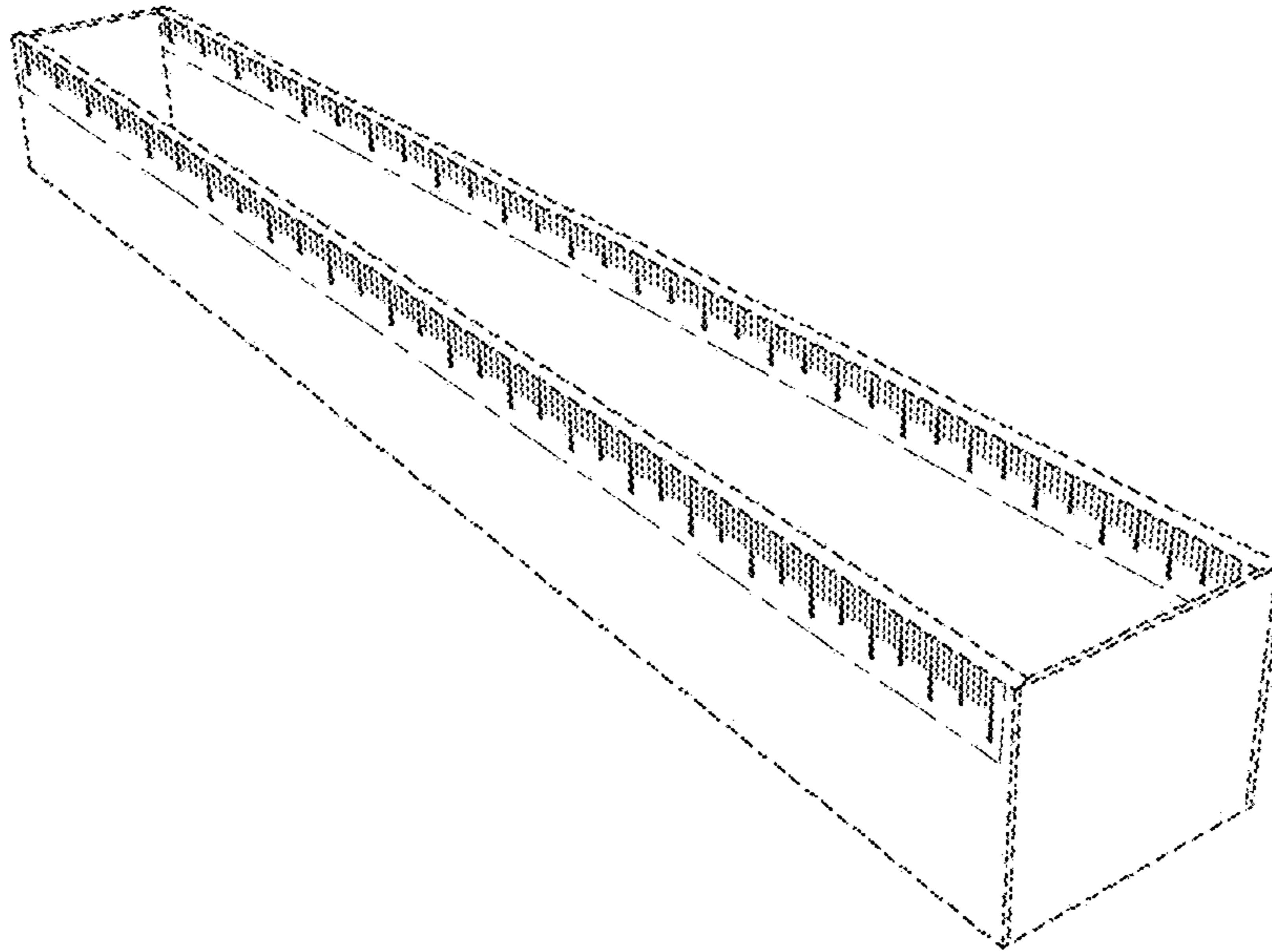


FIG. 4

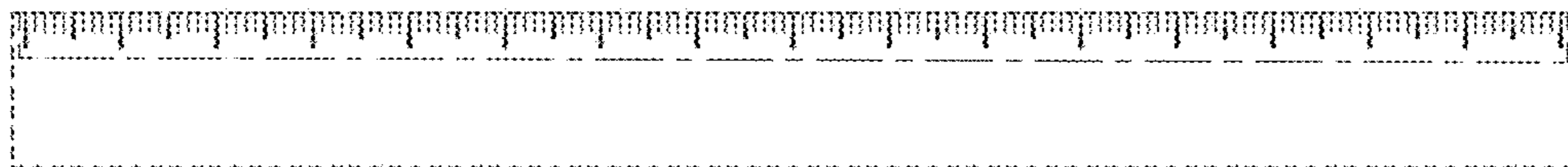


FIG. 5

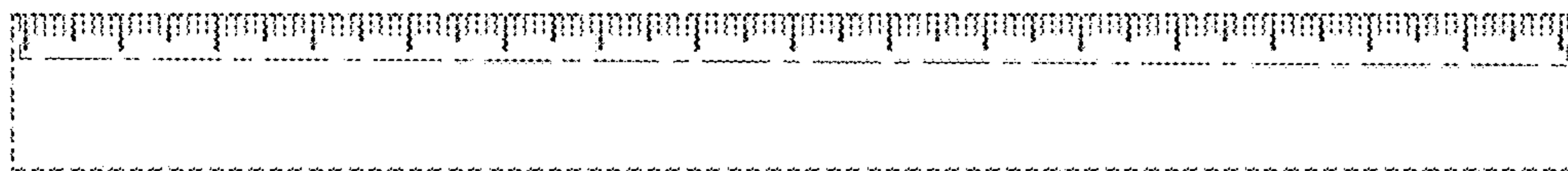


FIG. 6



FIG. 7



FIG. 8



FIG. 9

