



US00D813665S

(12) **United States Design Patent**
White

(10) **Patent No.:** **US D813,665 S**

(45) **Date of Patent:** **** Mar. 27, 2018**

(54) **CUP**

(71) Applicant: **Tnuva Food Industries-Agricultural Cooperative in Israel Ltd.**, Ramat HaSharon (IL)

(72) Inventor: **Joshua White**, Passaic, NJ (US)

(73) Assignee: **Tnuva Food Industries-Agricultural Cooperative In Israel Ltd.**, Ramat Hasharon (IL)

(**) Term: **15 Years**

(21) Appl. No.: **29/571,205**

(22) Filed: **Jul. 15, 2016**

(51) **LOC (11) Cl.** **09-03**

(52) **U.S. Cl.**
USPC **D9/428**

(58) **Field of Classification Search**
USPC D7/538-545, 602, 608, 629, 641;
D9/396.1, 414, 420, 424-426, 429, 432,
D9/761; 206/501-509; 220/781, 791,
220/793, 811-813, 835, 839
CPC B65D 1/24; B65D 25/04; B65D 43/03;
B65D 43/16; B65D 43/0212
See application file for complete search history.

(56) **References Cited**

U.S. PATENT DOCUMENTS

D213,491 S * 3/1969 Beeman 220/DIG. 13
D213,492 S * 3/1969 Beeman 220/DIG. 13

D243,030 S * 1/1977 Gross D11/152
D243,357 S * 2/1977 Gross D11/152
D256,669 S * 9/1980 Mitchell D9/428
D275,179 S * 8/1984 Spencer D9/428
D280,075 S * 8/1985 Haag, Sr. D9/428
D474,110 S * 5/2003 Sweeney D9/425
D698,649 S * 2/2014 Quint D7/400
D730,174 S * 5/2015 O'Brien D9/429

* cited by examiner

Primary Examiner — Derrick E Holland

Assistant Examiner — Janice Julia Patyk

(74) *Attorney, Agent, or Firm* — Goodwin Procter LLP

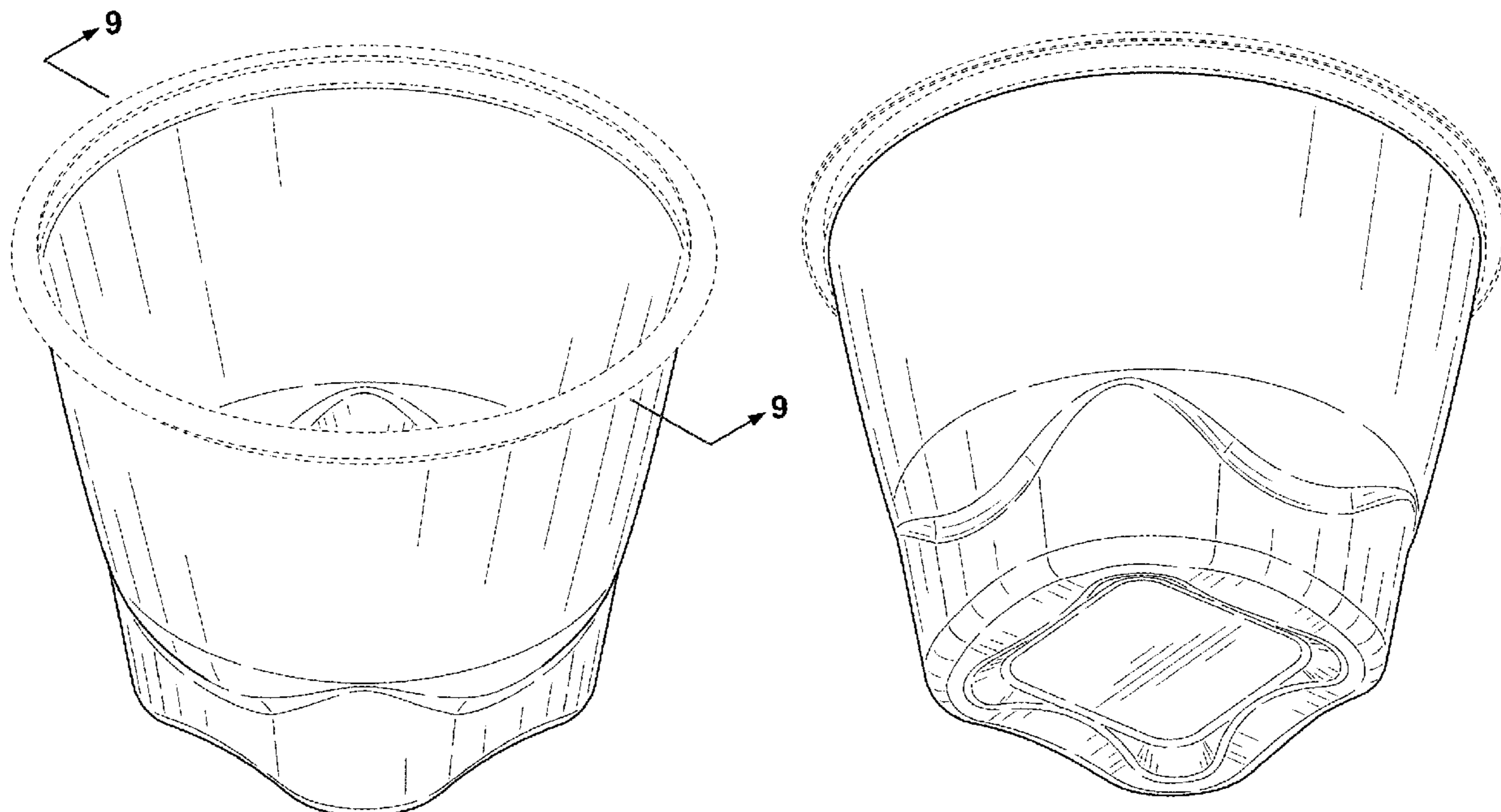
(57) **CLAIM**

The ornamental design for a cup, as shown and described.

DESCRIPTION

FIG. 1 is a front, side, and top perspective view of a cup showing my new design;
FIG. 2 is a front view of the cup of FIG. 1;
FIG. 3 is a rear view of the cup of FIG. 1;
FIG. 4 is a right side view of the cup of FIG. 1;
FIG. 5 is a left side view of the cup of FIG. 1;
FIG. 6 is a top view of the cup of FIG. 1;
FIG. 7 is a bottom view of the cup of FIG. 1;
FIG. 8 is a rear, side, and bottom perspective view of the cup of FIG. 1; and,
FIG. 9 is a cross-sectional view of the cup of FIG. 1, taken along the line 9-9 of FIG. 1.
The broken lines shown throughout the views represent the portions of the cup which form no part of the claimed design.

1 Claim, 6 Drawing Sheets



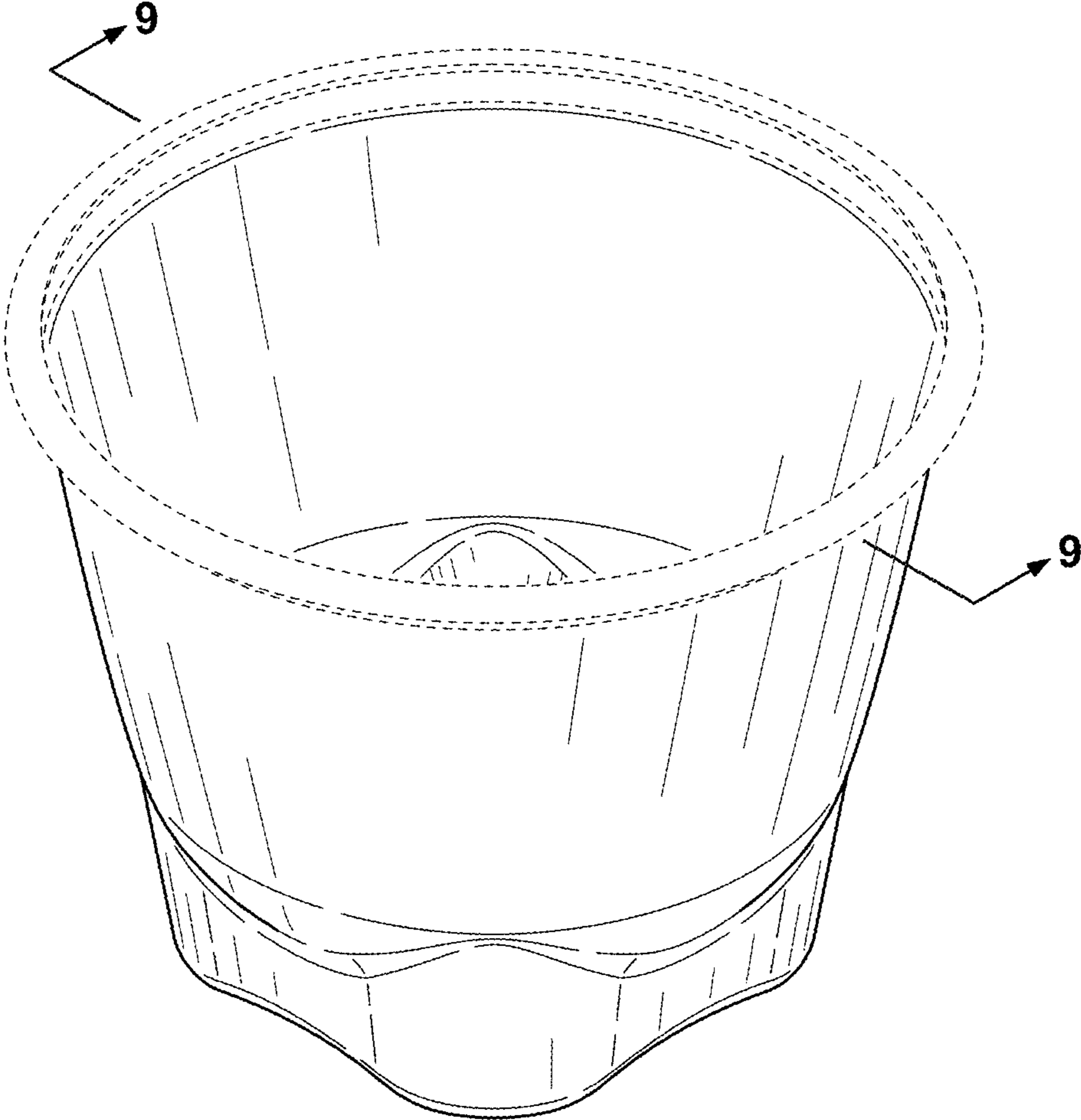


FIG. 1

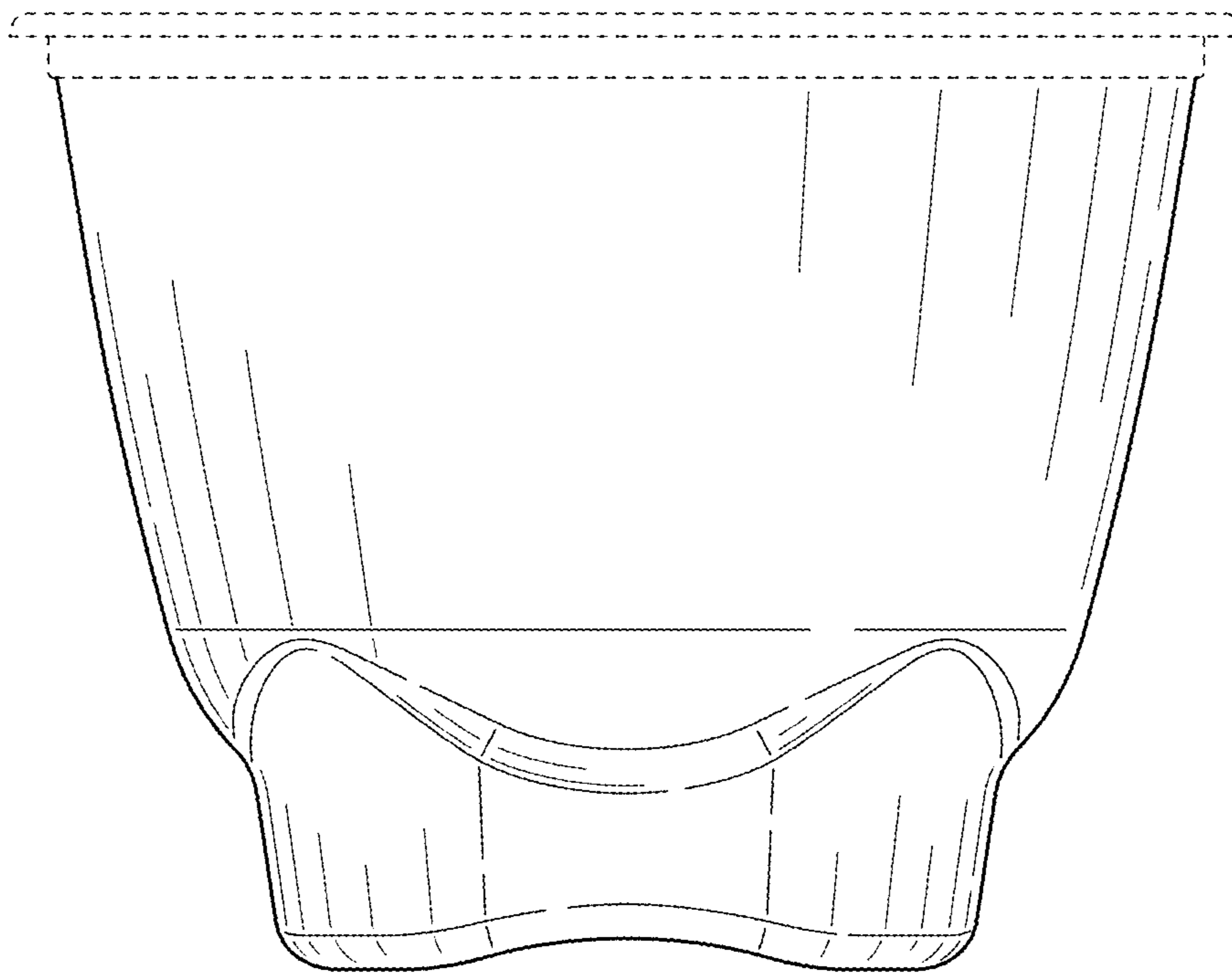


FIG. 2

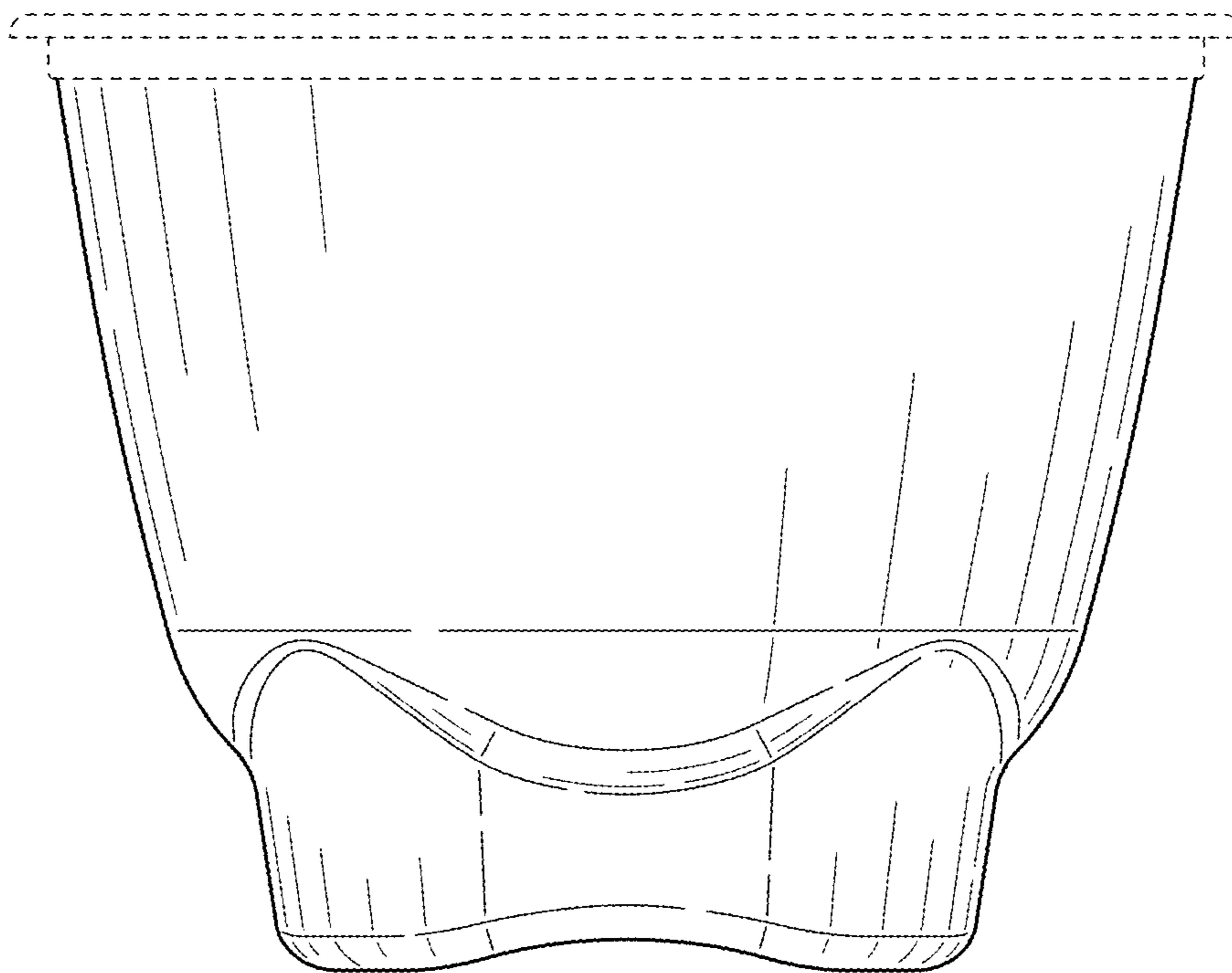


FIG. 3

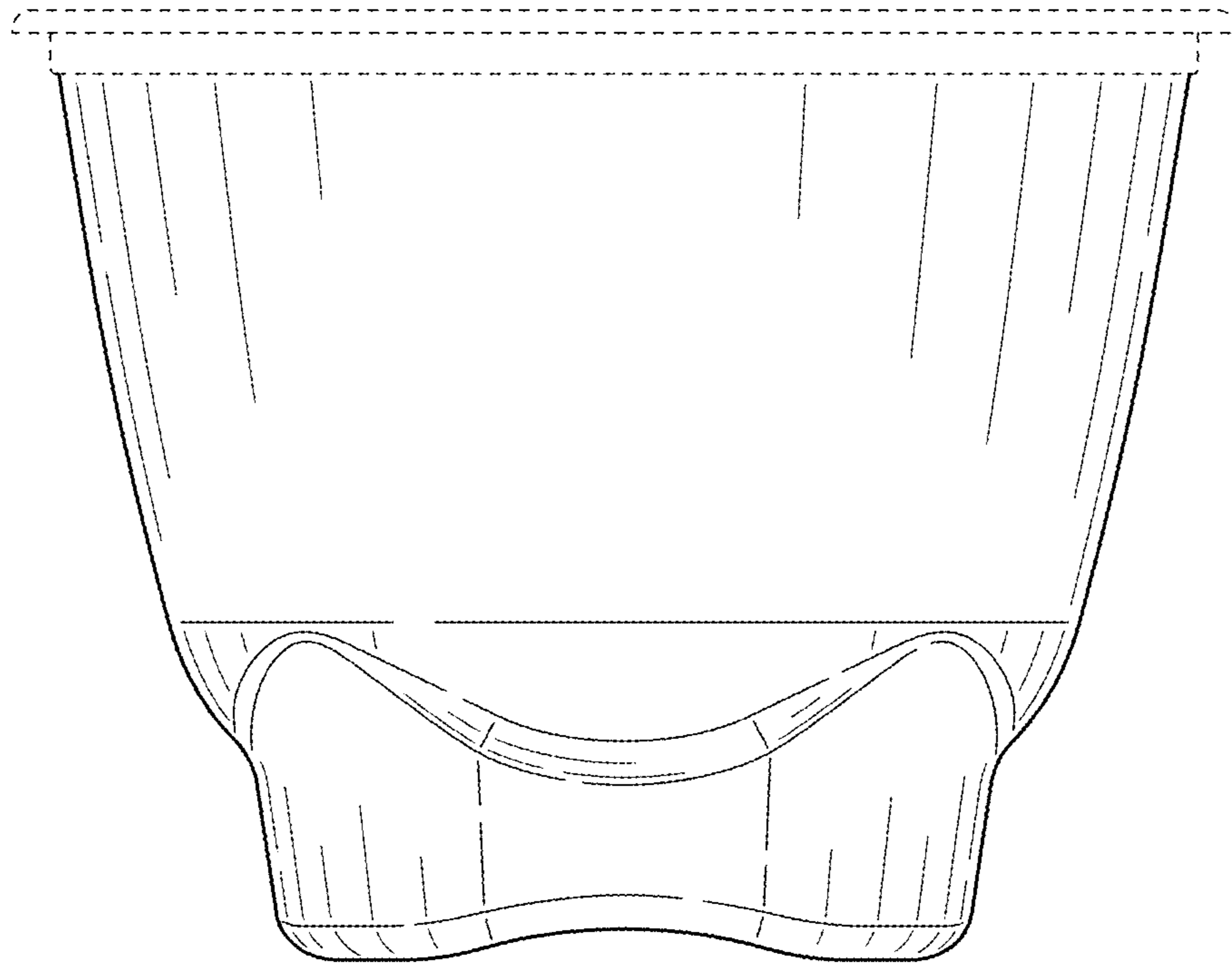


FIG. 4

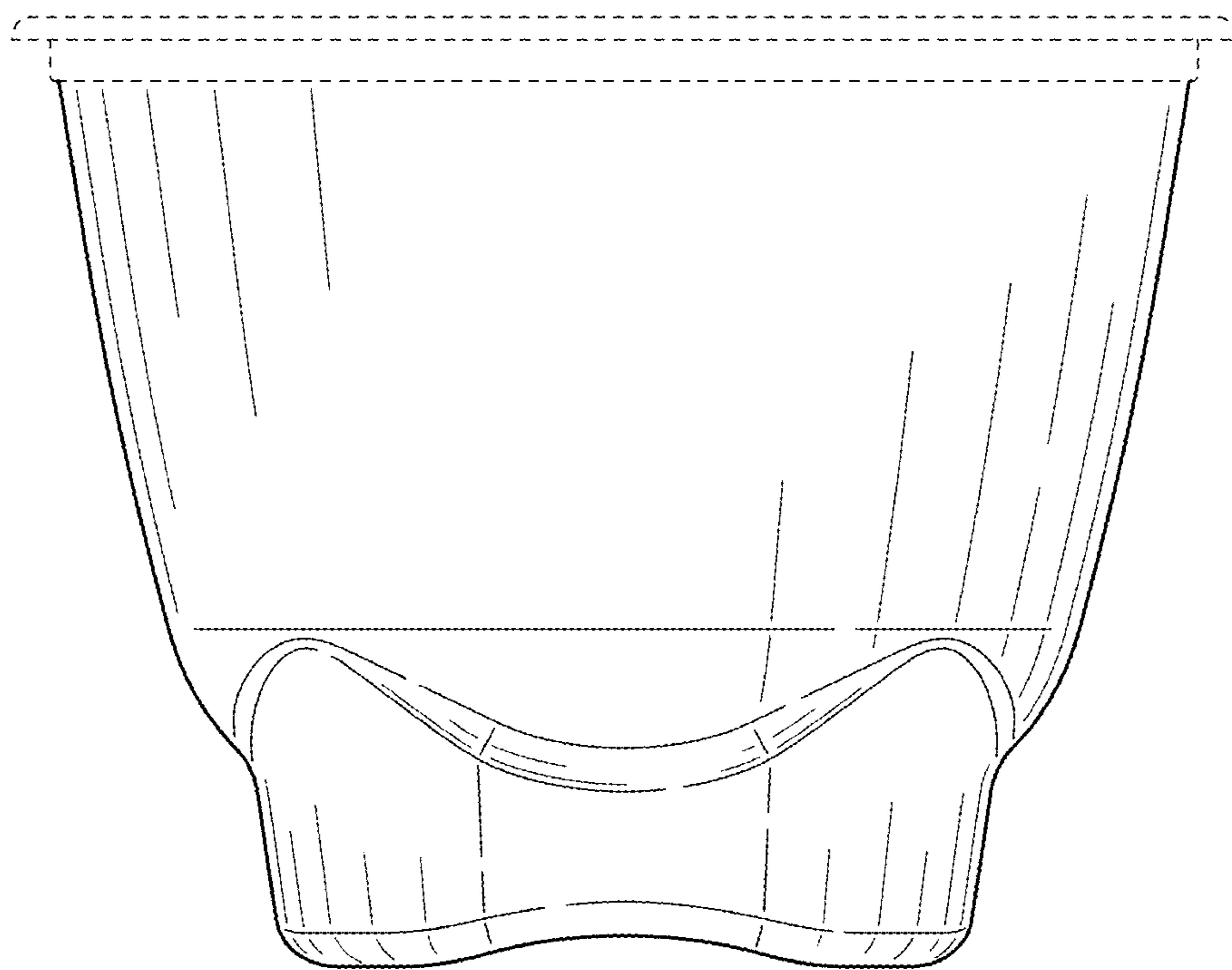


FIG. 5

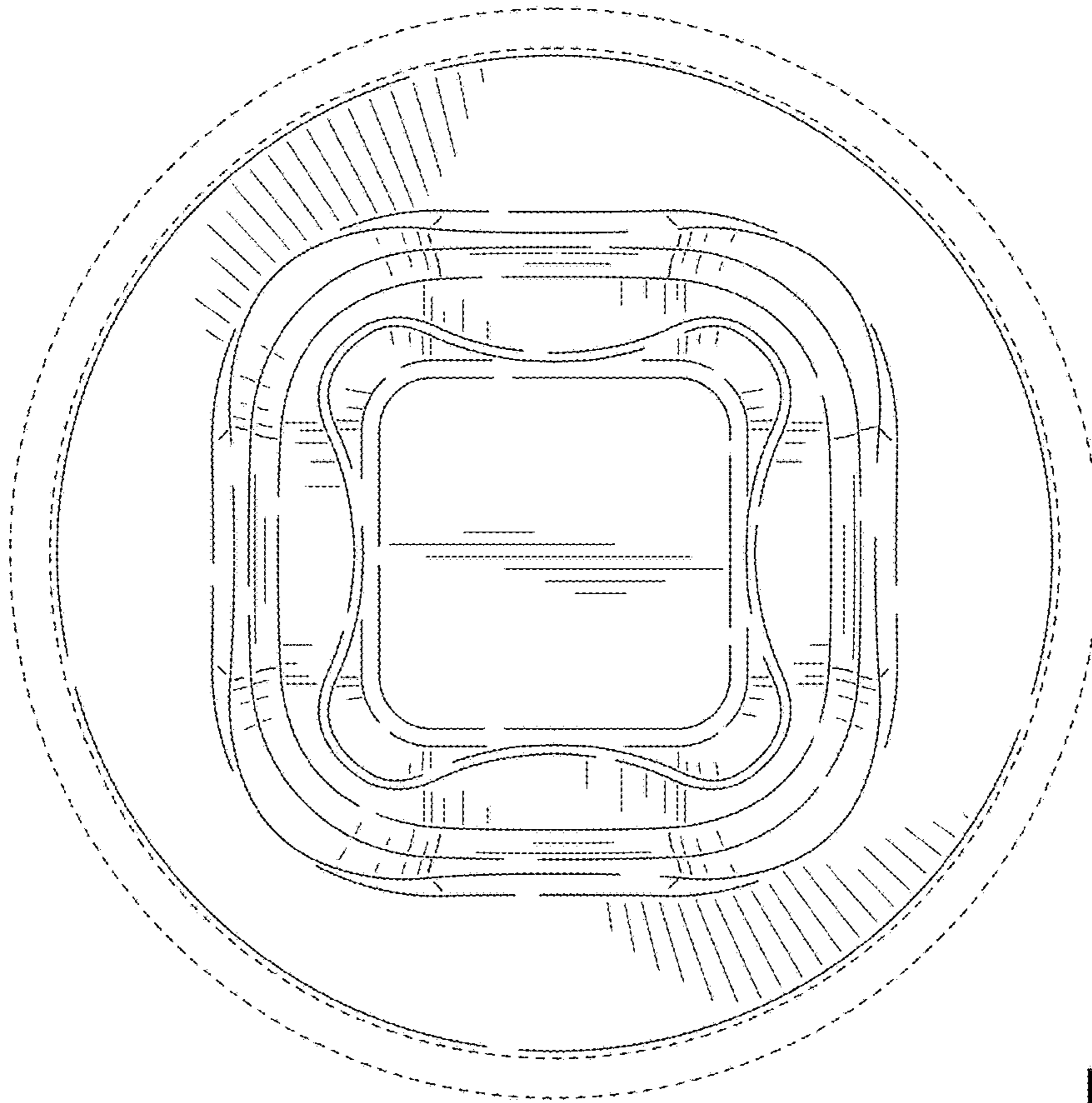


FIG. 6

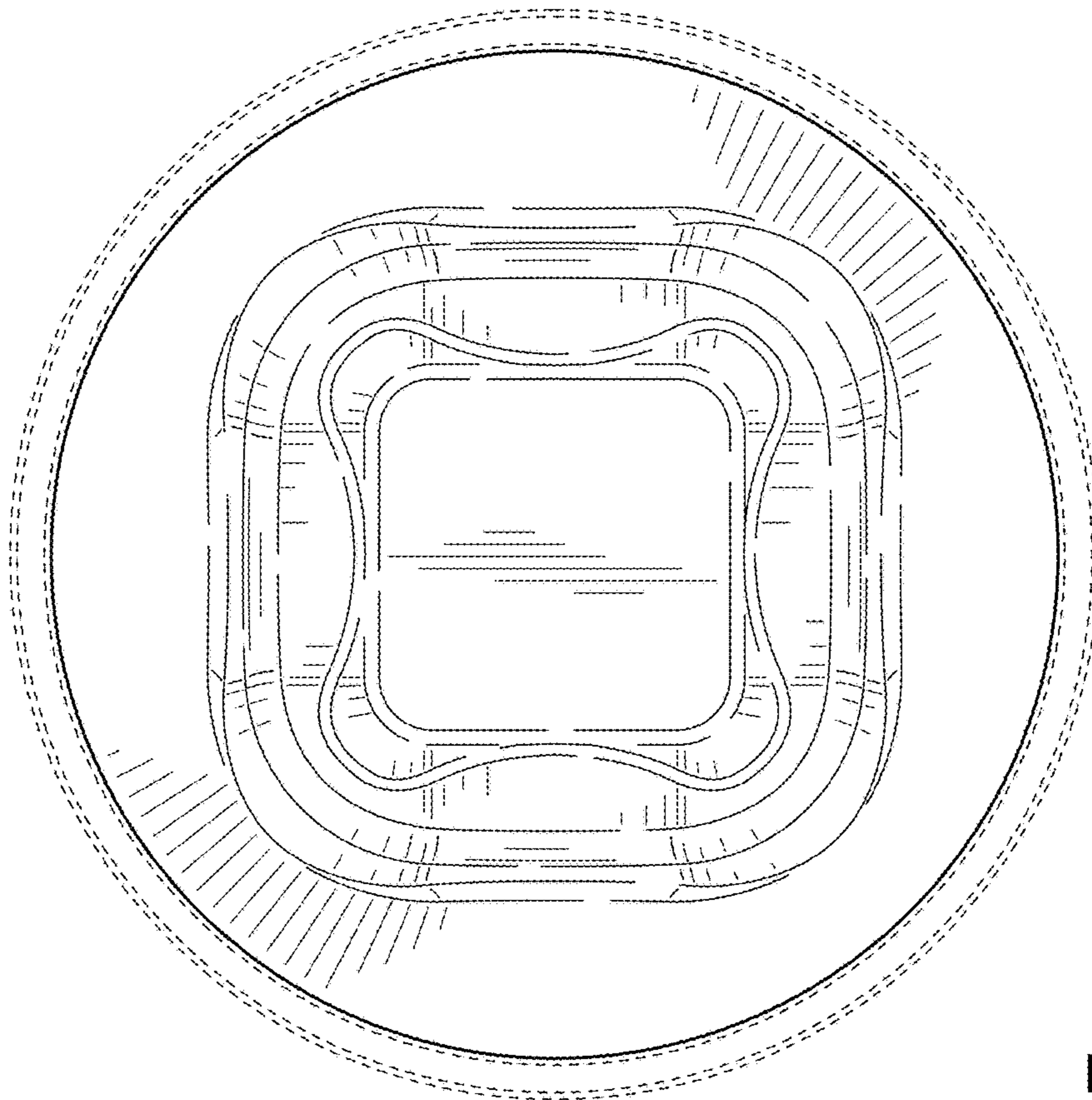


FIG. 7

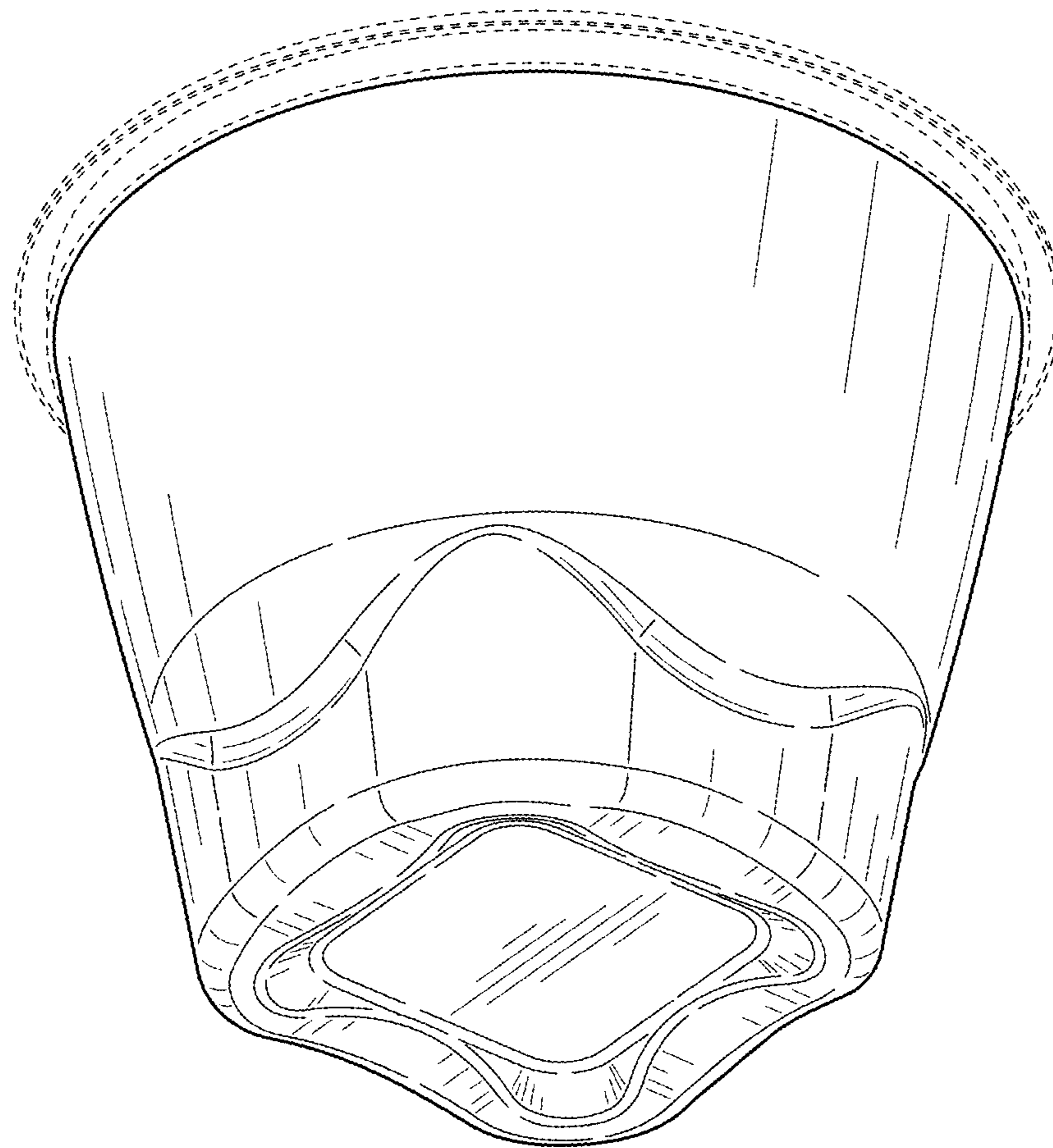


FIG. 8

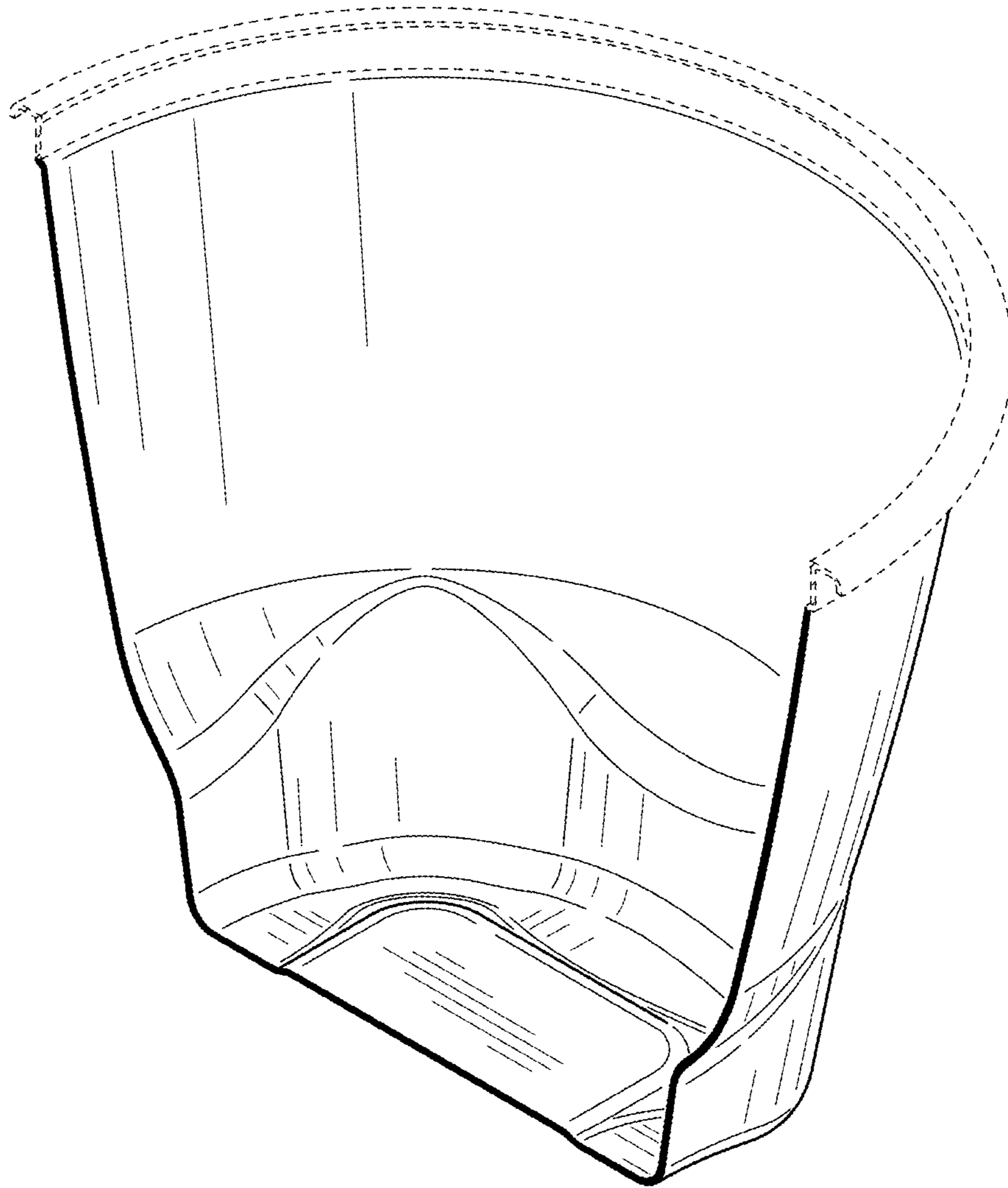


FIG. 9