



US00D813663S

(12) **United States Design Patent**
Sanfilippo et al.

(10) **Patent No.:** **US D813,663 S**
(45) **Date of Patent:** **** Mar. 27, 2018**

- (54) **PACKAGE**
- (71) Applicant: **PRIMAPAK, LLC**, Elgin, IL (US)
- (72) Inventors: **James J. Sanfilippo**, Barrington Hills, IL (US); **Milorad Radenovic**, Chicago, IL (US); **John E. Sanfilippo**, Barrington Hills, IL (US); **Francisco Javier Soria**, West Chicago, IL (US)
- (73) Assignee: **PRIMAPAK, LLC**, Elgin, IL (US)
- (**) Term: **14 Years**
- (21) Appl. No.: **29/484,846**
- (22) Filed: **Mar. 13, 2014**
- (51) **LOC (11) Cl.** **09-03**
- (52) **U.S. Cl.**
USPC **D9/423**; D9/432
- (58) **Field of Classification Search**
USPC D9/414, 416, 417, 418, 423, 430-434,
D9/734, 739, 721; 229/123.3, 106, 108;
D3/203.2
CPC B65D 75/008; B65D 2543/00194; B65D
65/10
See application file for complete search history.

2,524,766 A 10/1950 Carroll
2,619,226 A 11/1952 Adams
2,750,093 A 6/1956 Moore
(Continued)

FOREIGN PATENT DOCUMENTS

EP 1106508 A1 6/2001
EP 1508531 A1 2/2005
(Continued)

OTHER PUBLICATIONS

Reynolds, "Doritos Gamer Packs function on multiple levels",
Packaging World (Nov. 14, 2013).
(Continued)

Primary Examiner — Ian Simmons
Assistant Examiner — Keith Frank
(74) *Attorney, Agent, or Firm* — Marshall, Gerstein &
Borun LLP

(57) **CLAIM**
The ornamental design for a package, as shown and
described.

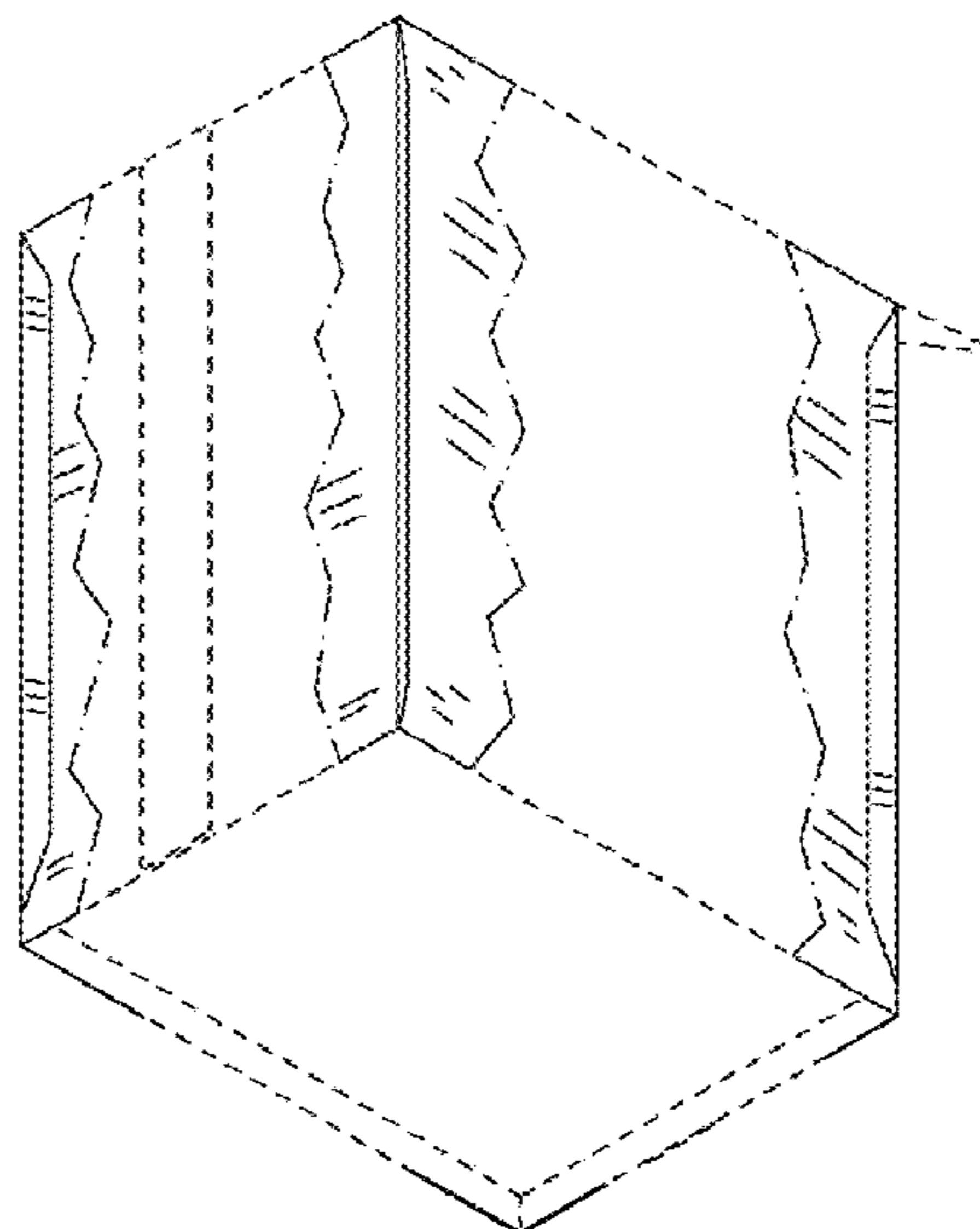
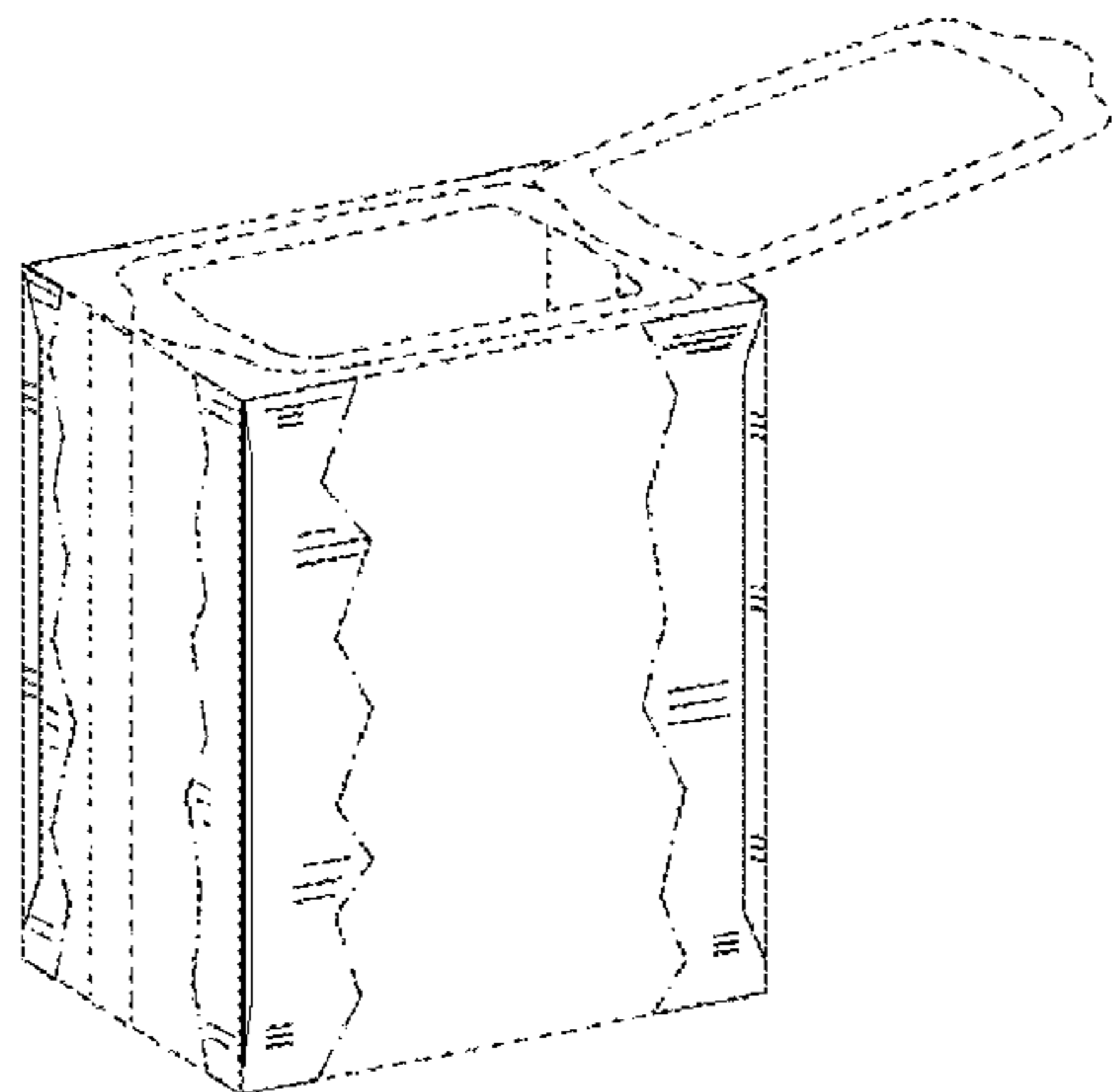
DESCRIPTION

FIG. 1 is a front, left-side, and top isometric view of a
package showing the new design.
FIG. 2 is a front, right-side, and top isometric view of the
package.
FIG. 3 is a front, left-side, and bottom isometric view.
FIG. 4 is a top plan view of the package.
FIG. 5 is a front elevational view of the package. The back
view is a mirror image of this view; and,
FIG. 6 is a side elevational view of the package.
The evenly dashed broken lines in the drawings that show
the package illustrate the portions of the package that form
no part of the claimed design. The dash-dot-dash broken
lines define the bounds of the claim, and also form no part
of the claimed design.

(56) **References Cited**
U.S. PATENT DOCUMENTS

2,017,176 A	10/1935	Andrews
2,041,227 A	5/1936	Chalmers
2,048,122 A	7/1936	Howard
2,092,858 A	9/1937	Richard
2,180,841 A	11/1939	Vogt
2,328,579 A	9/1943	Pelosi
2,339,156 A	1/1944	Duane
2,352,766 A	7/1944	Bogue
2,385,898 A	10/1945	Waters
2,416,332 A	2/1947	Lehman
2,508,962 A	5/1950	Moore

1 Claim, 5 Drawing Sheets



(56)

References Cited

U.S. PATENT DOCUMENTS

2,758,775	A	8/1956	Moore	
2,819,831	A	1/1958	Polarek et al.	
D183,717	S	* 10/1958	Casler	D9/432
2,936,940	A	5/1960	Berghgracht	
2,970,735	A	2/1961	Jacke	
3,006,257	A	10/1961	Orsini	
D194,246	S	* 12/1962	Engelmann	D9/420
3,127,082	A	3/1964	Meyer-Jagenberg	
3,228,584	A	1/1966	Ashton	
3,259,303	A	7/1966	Repko	
3,314,591	A	4/1967	Cheeley	
3,349,959	A	10/1967	Watkins	
3,373,917	A	3/1968	Cox	
3,380,646	A	4/1968	Doyen et al.	
3,426,499	A	2/1969	Paige	
3,434,652	A	3/1969	Shore	
3,437,258	A	4/1969	Kugler	
3,462,067	A	8/1969	Shore	
3,505,779	A	4/1970	Kopp	
3,562,392	A	2/1971	Mylus	
3,604,491	A	9/1971	Spiess	
3,738,567	A	6/1973	Ruda	
3,739,977	A	6/1973	Shapiro et al.	
3,785,112	A	1/1974	Leasure et al.	
3,917,158	A	11/1975	Dorofachuk et al.	
3,935,993	A	2/1976	Doyen et al.	
3,940,054	A	2/1976	Goebel et al.	
3,968,921	A	7/1976	Jewell	
3,980,225	A	9/1976	Kan	
4,041,851	A	8/1977	Jentsch	
4,101,051	A	7/1978	Reil	
4,129,976	A	12/1978	Grundler et al.	
4,197,949	A	4/1980	Carlsson	
4,308,679	A	1/1982	Ray, III et al.	
D265,777	S	8/1982	Elzea et al.	
4,345,393	A	8/1982	Price et al.	
D266,049	S	9/1982	Conti	
4,353,497	A	10/1982	Bustin	
4,512,476	A	4/1985	Herrington, Jr.	
4,531,668	A	7/1985	Forbes, Jr.	
4,576,309	A	3/1986	Tzifkansky et al.	
D285,777	S	9/1986	Forbes, Jr.	
D286,745	S	11/1986	Forbes, Jr.	
4,687,104	A	8/1987	Ielmini	
4,738,365	A	4/1988	Prater	
4,746,019	A	5/1988	Prater	
D297,214	S	8/1988	Forbes, Jr.	
4,790,436	A	12/1988	Nakamura	
4,798,295	A	1/1989	Rausing	
4,837,849	A	6/1989	Erickson et al.	
4,848,575	A	7/1989	Nakamura et al.	
4,851,246	A	7/1989	Maxwell et al.	
D304,016	S	10/1989	Forbes, Jr.	
D311,686	S	* 10/1990	Tozawa	D9/423
D315,099	S	3/1991	Alizard	
5,036,997	A	8/1991	May et al.	
5,044,777	A	9/1991	Watkins et al.	
5,059,036	A	10/1991	Richison et al.	
5,065,887	A	11/1991	Schuh et al.	
5,158,371	A	10/1992	Moravek	
D332,399	S	1/1993	Neff	
5,195,829	A	3/1993	Watkins et al.	
5,205,651	A	4/1993	Decottignies et al.	
5,254,073	A	10/1993	Richison et al.	
D351,090	S	10/1994	Narsutis	
5,353,946	A	10/1994	Behrend	
5,356,069	A	10/1994	Bochet et al.	
5,366,104	A	11/1994	Armstrong	
D354,435	S	* 1/1995	Krupa	D9/423
D354,436	S	1/1995	Krupa	
D364,563	S	11/1995	Miller et al.	
5,498,080	A	3/1996	Dalea et al.	
5,505,305	A	4/1996	Scholz et al.	
5,542,902	A	8/1996	Richison et al.	
5,556,026	A	9/1996	Blankitny	
D374,774	S	10/1996	Cassel	
5,577,612	A	11/1996	Chesson et al.	
5,611,452	A	3/1997	Bonora et al.	
5,613,608	A	3/1997	Tronchetti et al.	
5,655,706	A	8/1997	Vandiver	
D386,001	S	11/1997	Saffran	
5,704,480	A	1/1998	Scholz et al.	
D394,606	S	5/1998	Zorn et al.	
5,770,839	A	6/1998	Ruebush et al.	
5,772,332	A	6/1998	Geller	
D395,952	S	7/1998	Buczynski et al.	
5,785,179	A	7/1998	Buczynski et al.	
5,788,121	A	8/1998	Sasaki et al.	
5,788,378	A	8/1998	Thomas	
5,791,465	A	8/1998	Niki et al.	
D398,526	S	9/1998	Schwarz et al.	
D398,844	S	9/1998	Oberloier	
5,799,863	A	9/1998	Capy et al.	
5,826,401	A	10/1998	Bois	
D402,461	S	* 12/1998	Au	D3/273
5,842,790	A	12/1998	Imer	
5,862,652	A	1/1999	Schoeler	
D407,973	S	* 4/1999	Miller et al.	D9/423
D409,484	S	5/1999	Tasker	
D412,439	S	8/1999	Cormack	
6,005,234	A	12/1999	Moseley et al.	
6,021,624	A	2/2000	Richison et al.	
6,026,953	A	2/2000	Nakamura et al.	
D421,901	S	3/2000	Hill	
D421,902	S	3/2000	Hill	
6,036,365	A	3/2000	Imer	
D424,429	S	* 5/2000	Anchor	D9/417
D427,056	S	6/2000	Irace et al.	
D430,022	S	* 8/2000	Goettner	D9/416
6,113,271	A	9/2000	Scott et al.	
6,120,183	A	9/2000	Buchanan et al.	
D431,464	S	10/2000	Collins et al.	
6,137,098	A	10/2000	Moseley et al.	
D433,942	S	* 11/2000	Persson et al.	D9/432
D434,320	S	* 11/2000	Timm	D9/423
6,149,304	A	11/2000	Hamilton et al.	
D437,686	S	2/2001	Balzar et al.	
6,182,887	B1	2/2001	Ljunstrom et al.	
6,229,061	B1	5/2001	Dragoo et al.	
6,231,237	B1	5/2001	Geller	
6,261,215	B1	7/2001	Imer	
D446,012	S	* 8/2001	Ashiwa et al.	D3/273
D446,014	S	8/2001	Adkins	
6,273,610	B1	8/2001	Koyama et al.	
6,274,181	B1	8/2001	Richison et al.	
D450,960	S	11/2001	Boyea et al.	
D452,374	S	12/2001	Kim	
6,325,239	B2	12/2001	Randall et al.	
6,423,356	B2	7/2002	Richison et al.	
D461,403	S	8/2002	Chomik et al.	
D463,276	S	9/2002	Piscopo et al.	
6,446,796	B1	9/2002	Schmidt	
D464,884	S	10/2002	Sumpmann et al.	
D464,894	S	10/2002	Mittersinker et al.	
6,481,183	B1	11/2002	Schmidt	
D466,807	S	12/2002	Buck et al.	
D468,638	S	* 1/2003	Nogami et al.	D9/430
6,510,673	B1	1/2003	Visona' et al.	
6,513,308	B1	2/2003	Meeuwesen et al.	
D471,804	S	3/2003	Staples	
D473,461	S	4/2003	Joubert	
D473,464	S	* 4/2003	Anchor	D9/432
6,615,567	B2	9/2003	Kuhn et al.	
6,659,645	B1	12/2003	Schulz	
D485,461	S	1/2004	Sams et al.	
6,679,034	B2	1/2004	Kohl et al.	
6,695,757	B2	2/2004	Edwards et al.	
D487,192	S	3/2004	Farnham et al.	
D489,530	S	5/2004	Lindsay	
6,729,112	B2	5/2004	Kuss et al.	
6,736,309	B1	5/2004	Westerman et al.	
D492,200	S	* 6/2004	Solowiejko et al.	D9/416
6,746,388	B2	6/2004	Edwards et al.	
6,761,279	B1	7/2004	Martin et al.	

(56)

References Cited

U.S. PATENT DOCUMENTS

6,783,277 B2 8/2004 Edwards et al.
D495,950 S * 9/2004 Cotert et al. D9/721
6,817,160 B2 11/2004 Schmidt
D501,134 S 1/2005 Takahashi et al.
6,845,602 B2 1/2005 Drut
D502,095 S 2/2005 Tucker et al.
D503,336 S 3/2005 Tucker et al.
D503,827 S * 4/2005 Cahill D27/189
D504,622 S 5/2005 Takahashi et al.
6,918,532 B2 7/2005 Sierra-Gomez et al.
6,953,069 B2 10/2005 Galomb
D513,870 S 1/2006 Rosine et al.
D514,437 S * 2/2006 Kim D9/416
D514,439 S 2/2006 Snedden et al.
D521,373 S * 5/2006 Stanton D9/430
D521,376 S * 5/2006 Mosto D9/430
D528,010 S 9/2006 Yashima et al.
D531,894 S 11/2006 Ramirez et al.
7,153,026 B2 12/2006 Galomb
7,156,556 B2 1/2007 Takahashi et al.
D536,608 S 2/2007 Arkins
D542,650 S * 5/2007 McDowell et al. D9/782
7,213,710 B2 5/2007 Cotert
D544,344 S * 6/2007 Liebe et al. D9/420
D544,345 S * 6/2007 Liebe et al. D9/423
D544,762 S 6/2007 Zimmerman
D545,186 S 6/2007 Liebe et al.
D548,080 S 8/2007 Brown et al.
D549,096 S * 8/2007 Ayats et al. D9/430
D551,508 S 9/2007 Friedland et al.
D552,468 S 10/2007 Seum et al.
7,299,608 B2 11/2007 Kohl et al.
D558,047 S * 12/2007 Pinkstone D9/430
D569,719 S 5/2008 Ross
D571,146 S 6/2008 Sanfilippo et al.
D571,197 S 6/2008 Sanfilippo et al.
D591,555 S 5/2009 Sanfilippo et al.
D593,369 S 6/2009 Green et al.
D598,745 S * 8/2009 Bohache D9/430
D608,193 S 1/2010 Sanfilippo et al.
7,665,629 B2 2/2010 Julius et al.
7,665,895 B2 2/2010 Takita et al.
7,780,006 B2 8/2010 Clark, Jr. et al.
D629,296 S 12/2010 De Muynck
D637,577 S 5/2011 Han et al.
7,993,256 B2 8/2011 Takita et al.
8,006,833 B2 8/2011 Clark, Jr. et al.
8,038,349 B2 10/2011 Andersson et al.
D648,302 S 11/2011 Park et al.
8,066,137 B2 11/2011 Sanfilippo et al.
8,132,395 B2 3/2012 Gehring et al.
8,231,024 B2 7/2012 Sanfilippo et al.
8,276,353 B2 10/2012 Reaves et al.
8,308,363 B2 11/2012 Vogt et al.
D676,014 S 2/2013 Chung
D680,438 S * 4/2013 Ashley D9/600
D682,244 S 5/2013 Park et al.
D686,181 S 7/2013 Jeong
D689,767 S 9/2013 Clark et al.
D691,471 S * 10/2013 Walter D9/434

D696,107 S 12/2013 Kimple et al.
8,602,242 B2 12/2013 Sanfilippo et al.
8,602,244 B2 12/2013 Sanfilippo et al.
D702,117 S * 4/2014 Dagnino D9/417
D721,576 S * 1/2015 De Pietri Tonelli et al. . D9/431
D726,535 S * 4/2015 Sanfilippo et al. D9/434
D733,549 S * 7/2015 Sanfilippo et al. D9/414
D734,144 S * 7/2015 Sanfilippo D9/416
2001/0005979 A1 7/2001 Kuss et al.
2001/0040107 A1 11/2001 Toure et al.
2002/0094922 A1 7/2002 Edwards et al.
2003/0041564 A1 3/2003 Schmidt
2003/0059130 A1 3/2003 Yoneyama et al.
2003/0100424 A1 5/2003 Barmore et al.
2003/0111523 A1 6/2003 Haugan
2003/0230504 A1 12/2003 Hamming
2004/0089578 A1 5/2004 Lin
2004/0099570 A1 5/2004 Cargile
2004/0185156 A1 9/2004 Garwood
2004/0188457 A1 9/2004 Galomb
2004/0226625 A1 11/2004 Galomb
2004/0232029 A1 11/2004 Cotert
2004/0251163 A1 12/2004 Conde et al.
2005/0011906 A1 1/2005 Buck et al.
2005/0053315 A1 3/2005 Aasen
2005/0069230 A1 3/2005 Takahashi et al.
2005/0109827 A1 5/2005 Martin
2005/0150785 A1 7/2005 Julius et al.
2005/0189367 A1 9/2005 Chasid et al.
2005/0208188 A1 9/2005 Garwood
2005/0276525 A1 12/2005 Hebert et al.
2006/0076352 A1 4/2006 Peterson et al.
2006/0283750 A1 12/2006 Villars et al.
2007/0151887 A1 7/2007 Clark et al.
2008/0135607 A1 * 6/2008 Barthel B65D 5/029
229/185.1
2009/0039078 A1 2/2009 Sanfilippo et al.
2009/0120828 A1 5/2009 Sanfilippo et al.
2009/0152290 A1 6/2009 Wang et al.
2010/0113240 A1 5/2010 Takita et al.
2010/0140129 A1 6/2010 Sanfilippo et al.
2011/0297690 A1 12/2011 Teys et al.
2012/0125937 A1 5/2012 Ahlstrom et al.
2014/0083897 A1 3/2014 Sanfilippo et al.
2014/0102936 A1 4/2014 Sanfilippo et al.
2014/0109522 A1 4/2014 Sanfilippo et al.

FOREIGN PATENT DOCUMENTS

FR 2766794 A1 2/1999
JP 10-203560 8/1998
WO WO-86/06344 A1 11/1986
WO WO-00/12407 A1 3/2000
WO WO-02/085726 A1 10/2002
WO WO-2004110885 A1 12/2004

OTHER PUBLICATIONS

Color photographs of Frito-Lay Doritos "Gamer Pack" package (circa 2013).

* cited by examiner

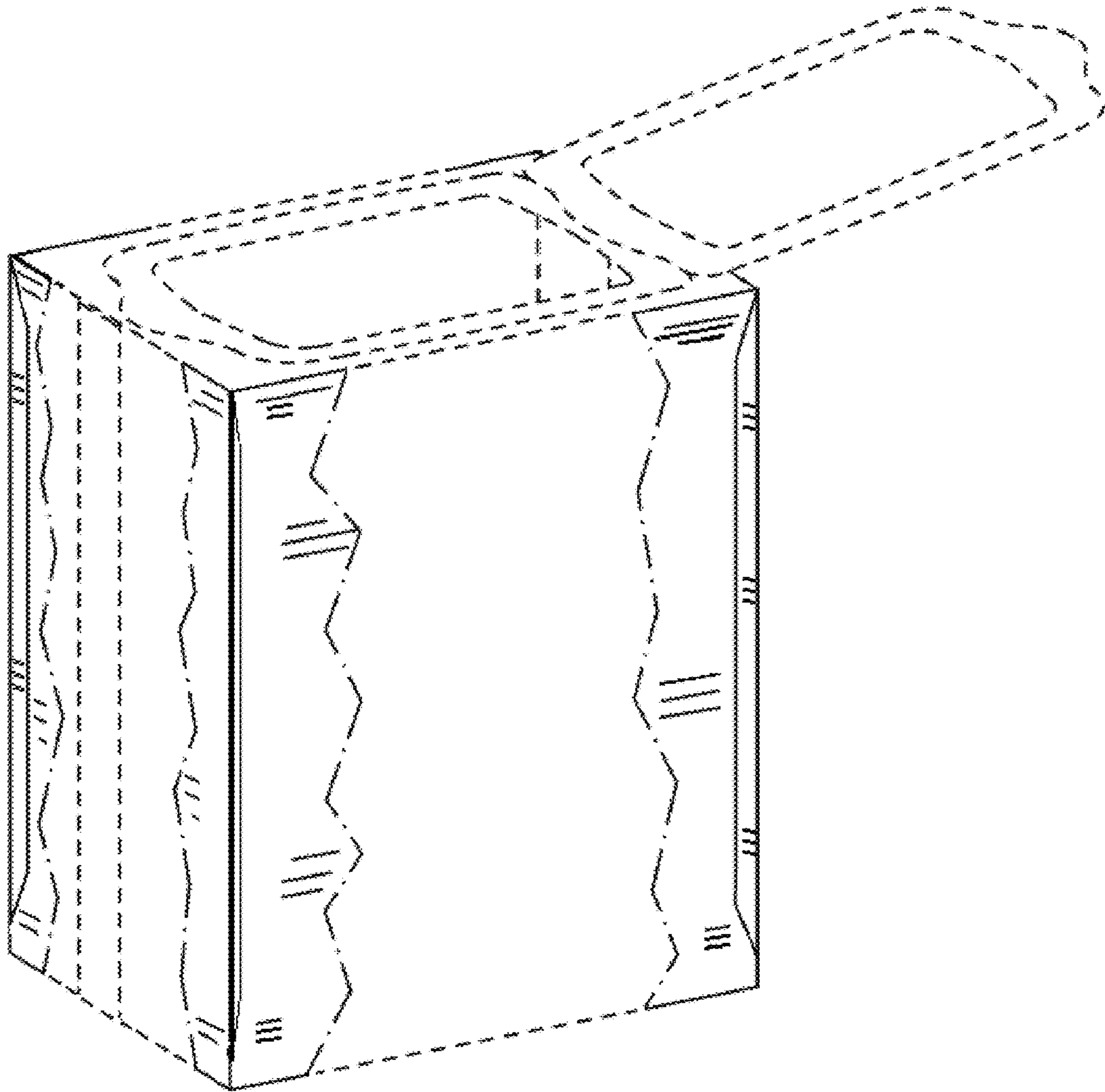


Fig. 1

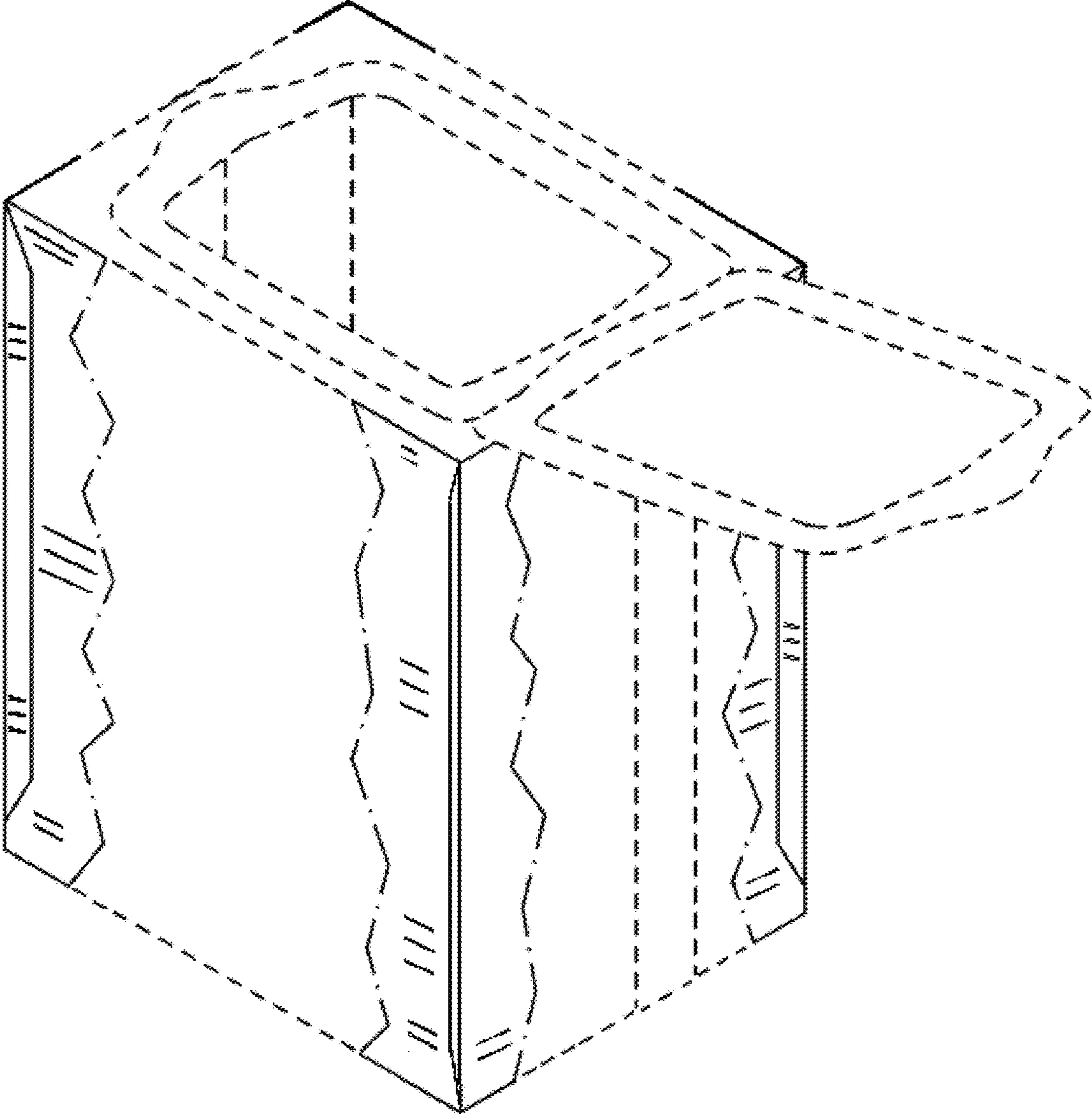


Fig. 2

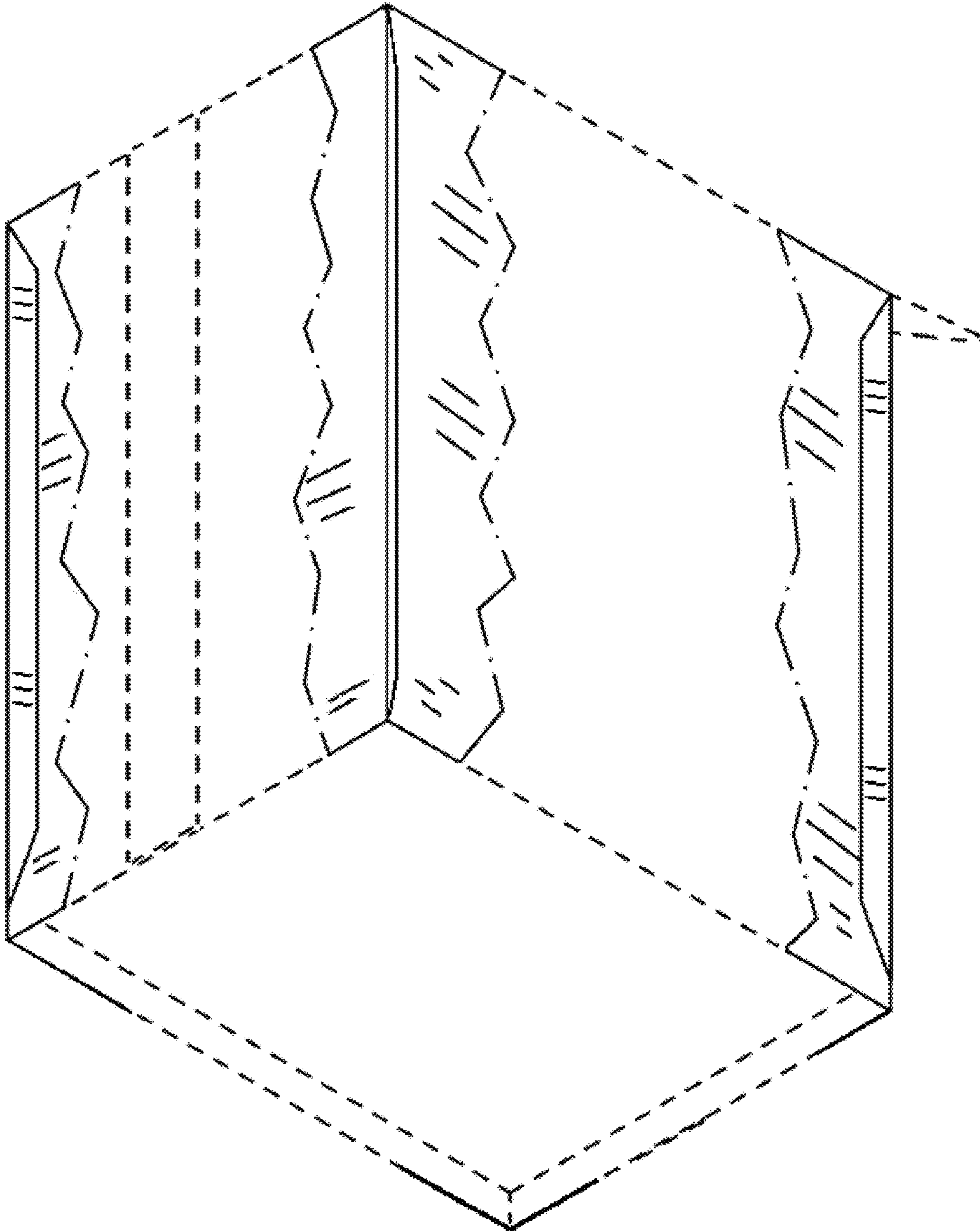


Fig. 3

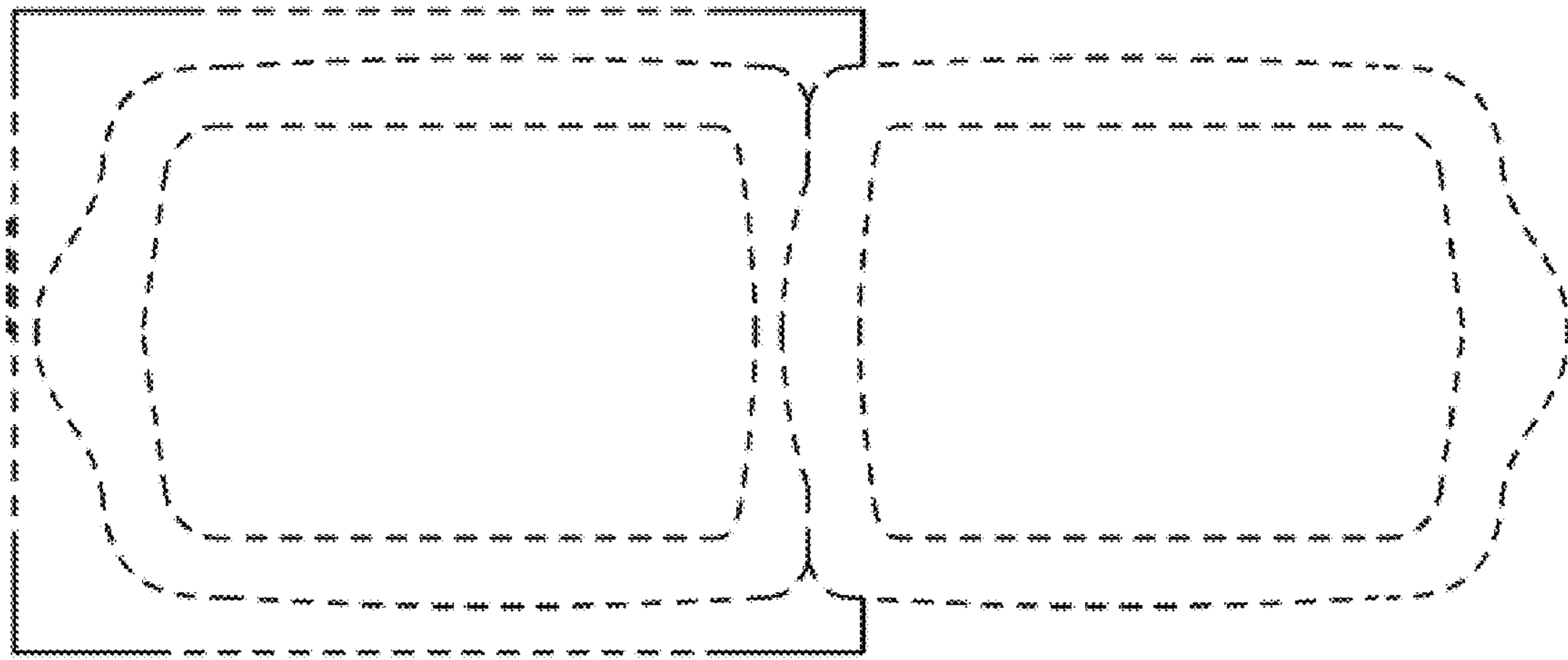


Fig. 4

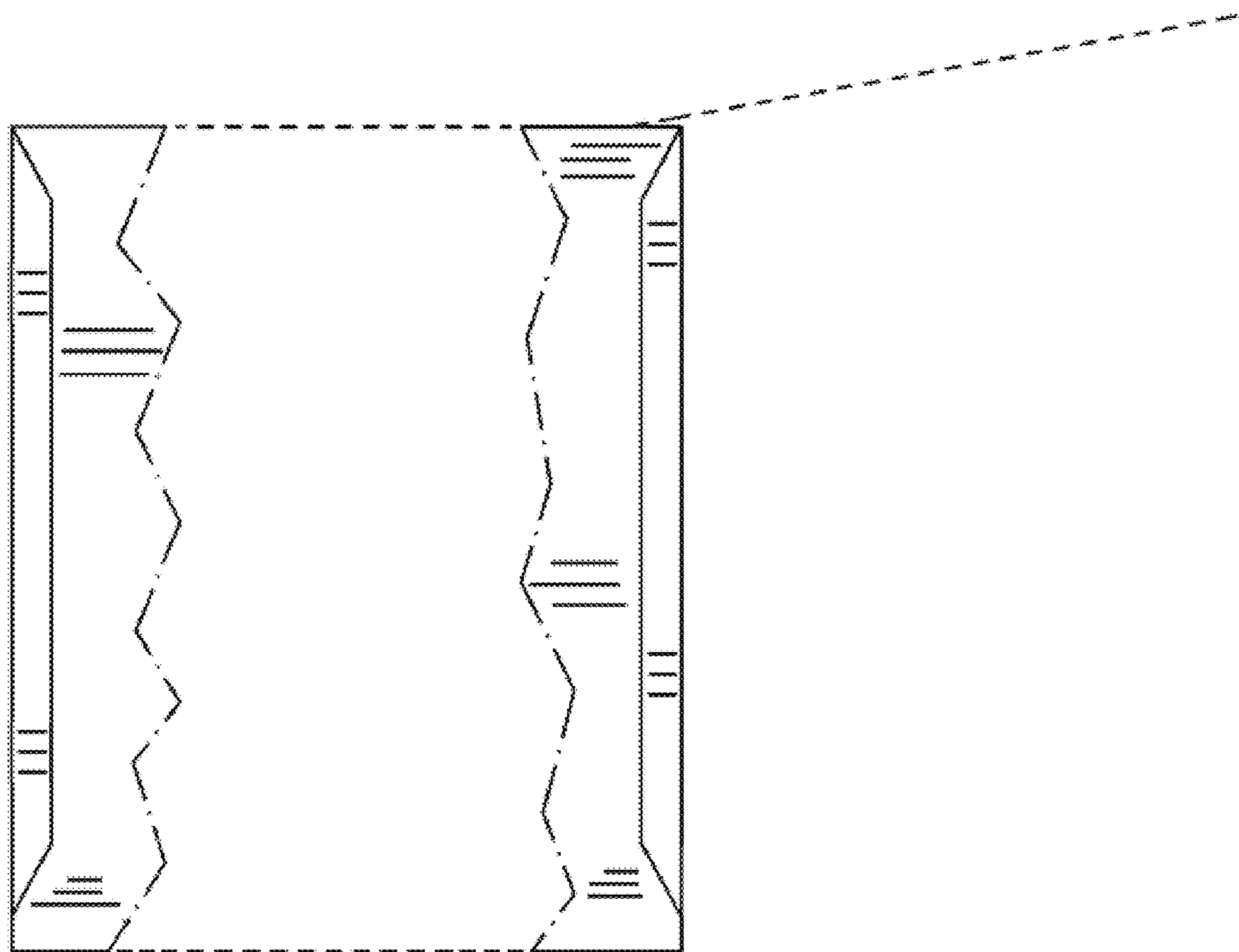


Fig. 5

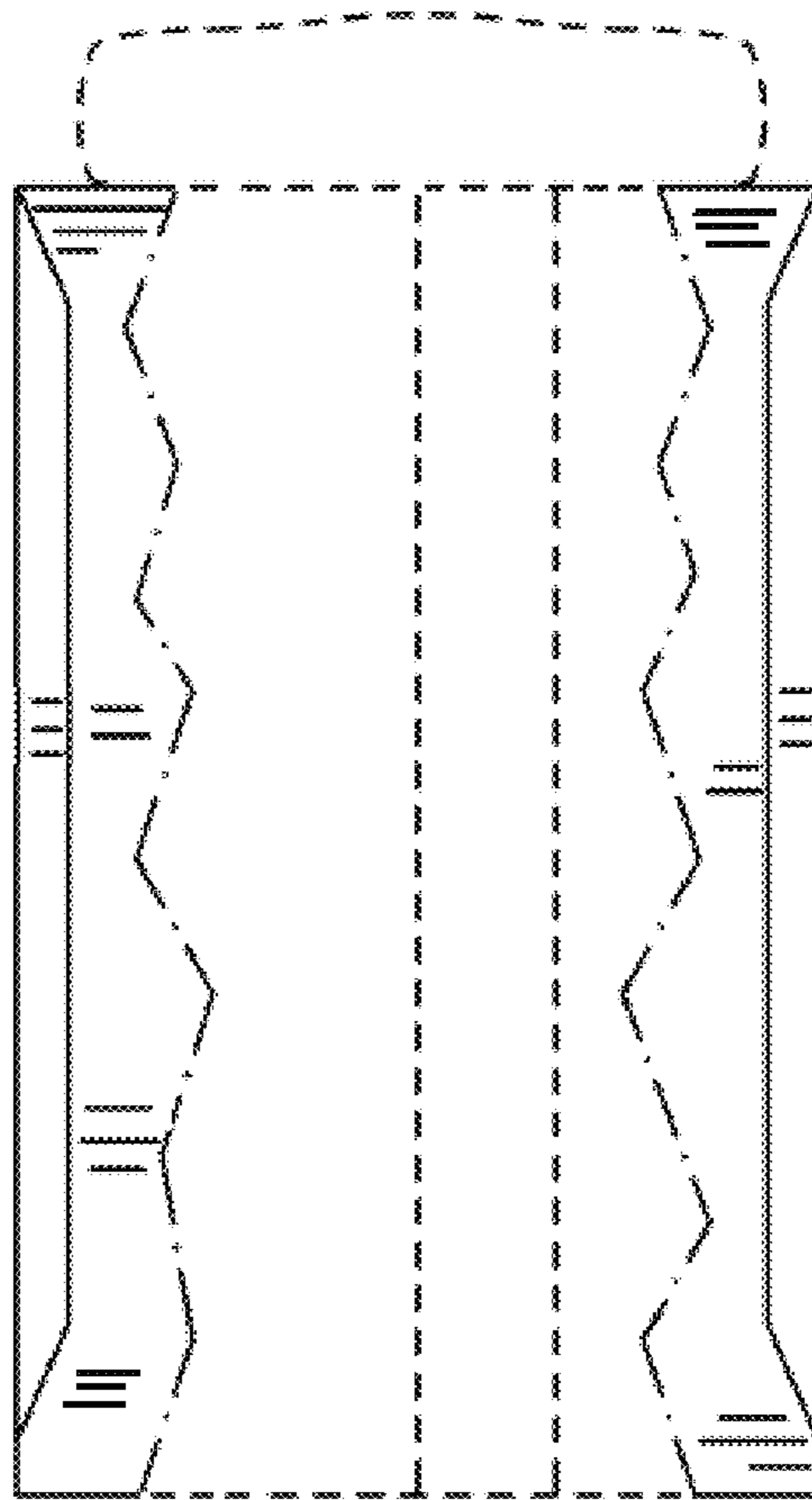


Fig. 6