



US00D813660S

(12) **United States Design Patent**
Tyner

(10) **Patent No.:** **US D813,660 S**
(45) **Date of Patent:** **** Mar. 27, 2018**

- (54) **CANISTER HOLDER**
- (71) Applicant: **CND Products LLC**, Grand Rapids, MI (US)
- (72) Inventor: **Jeffrey D. Tyner**, Grand Rapids, MI (US)
- (73) Assignee: **CND Products LLC**, Grand Rapids, MI (US)
- (**) Term: **15 Years**
- (21) Appl. No.: **29/528,577**
- (22) Filed: **May 29, 2015**

- 3,066,903 A * 12/1962 Tinnerman F16B 2/08
24/23 R
- 3,310,264 A * 3/1967 Appleton F16L 3/12
248/72
- D208,105 S * 7/1967 Haber D20/43
- 3,522,921 A * 8/1970 Lytle F16L 3/24
248/62
- 3,739,435 A * 6/1973 Baker F16B 2/185
248/74.1
- 4,022,415 A 5/1977 Roderick et al.
- 4,094,416 A 6/1978 Smith

(Continued)

Primary Examiner — John Windmuller

(74) *Attorney, Agent, or Firm* — Warner Norcross & Judd LLP

(57) **CLAIM**

The ornamental design for a canister holder, as shown and described.

DESCRIPTION

FIG. 1 is a perspective view of the canister holder embodying the new design, wherein the canister holder is in an open position;

FIG. 2 is a perspective view of the canister holder embodying the new design, wherein the canister holder is in a closed position;

FIG. 3 is a top view thereof with the canister holder in the closed position;

FIG. 4 is a top view thereof with the canister holder in the open position;

FIG. 5 is another perspective view of the canister holder in the closed position, wherein the canister holder is holding a canister;

FIG. 6 is a left side view thereof; and,

FIG. 7 is a top view thereof.

FIGS. 1-7 show portions of the canister holder in broken lines, the portions shown in broken lines form no part of the claimed design.

Related U.S. Application Data

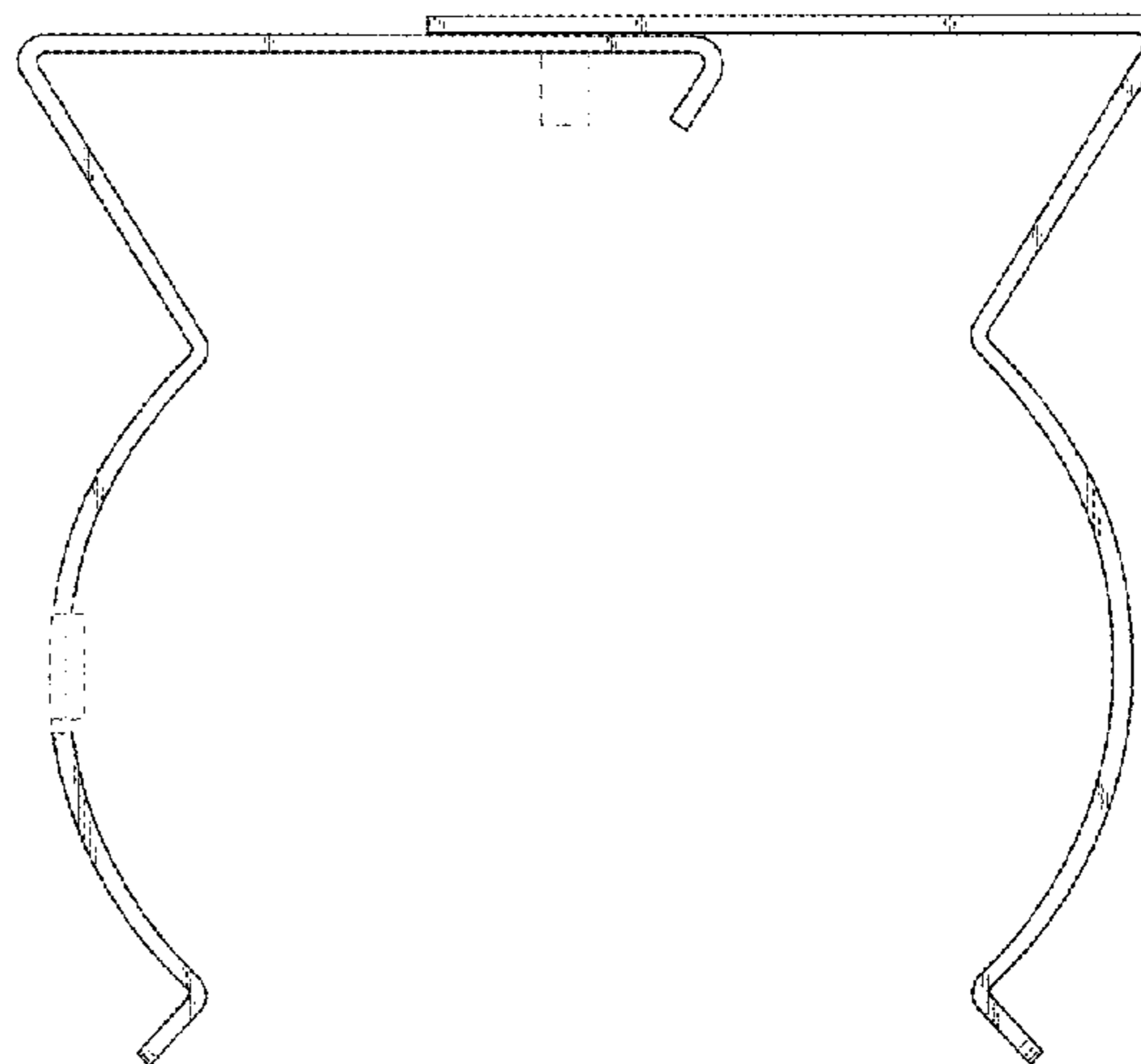
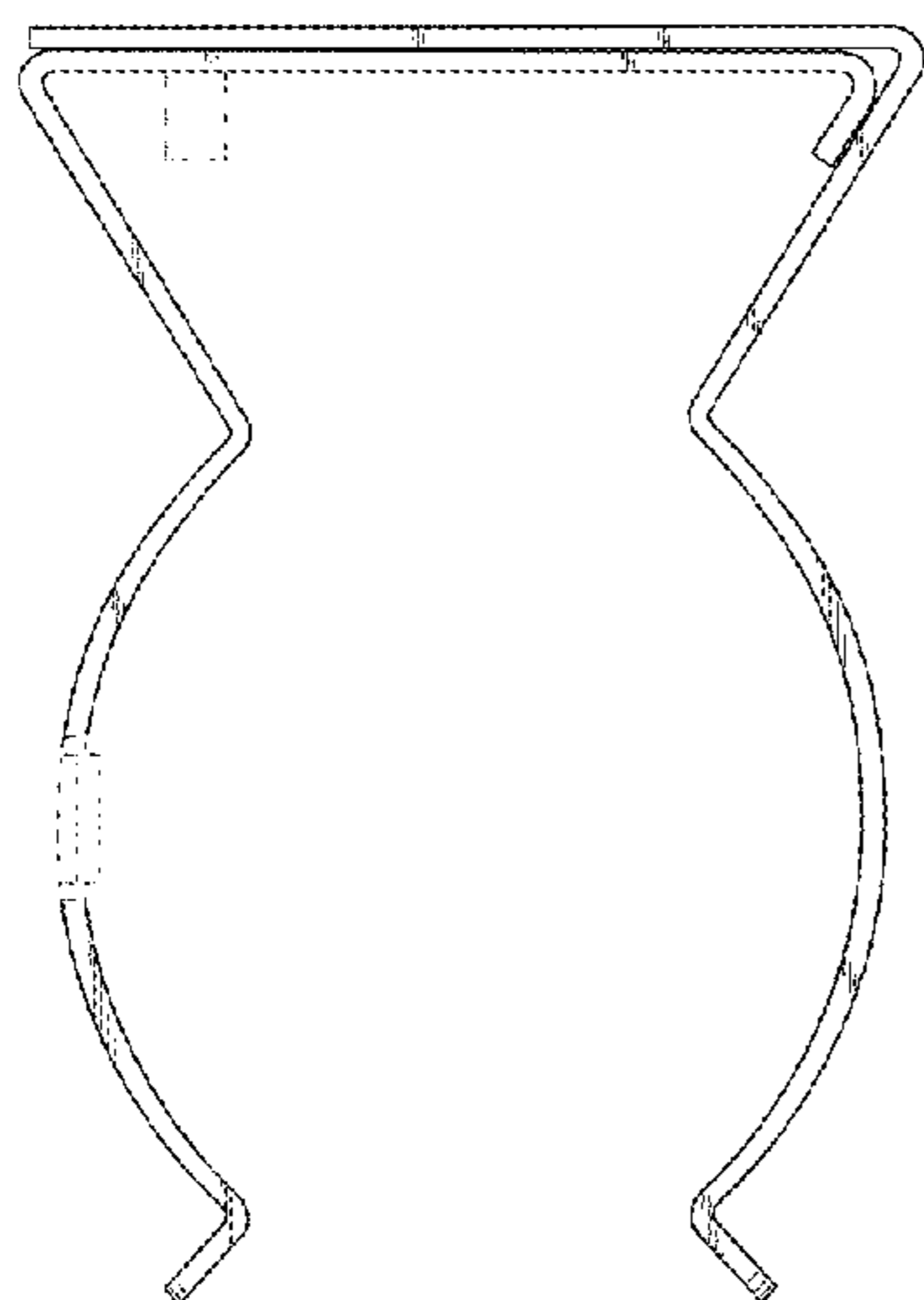
- (63) Continuation of application No. 13/305,160, filed on Nov. 28, 2011, now abandoned, which is a continuation-in-part of application No. 12/649,676, filed on Dec. 30, 2009, now Pat. No. 8,066,237.
- (51) **LOC (11) Cl.** **08-08**
- (52) **U.S. Cl.**
USPC **D8/396**
- (58) **Field of Classification Search**
USPC D8/394-396, 349-356, 373, 400, 21-26,
D8/29, 499; D24/138
See application file for complete search history.

References Cited

U.S. PATENT DOCUMENTS

- 1,329,816 A * 2/1920 Winslow F16M 1/04
248/126
- 2,144,757 A 1/1939 Gilling et al.
- 2,375,513 A * 5/1945 Bach F16L 3/221
248/59
- 3,033,412 A * 5/1962 Fox B01L 9/06
206/446

1 Claim, 6 Drawing Sheets



(56)

References Cited

U.S. PATENT DOCUMENTS

4,097,002 A 6/1978 Krueger
 4,119,285 A * 10/1978 Bisping F16L 3/13
 248/222.12
 4,306,697 A * 12/1981 Mathews F16L 3/222
 248/68.1
 4,417,711 A * 11/1983 Madej F16L 3/1041
 248/74.4
 4,479,625 A * 10/1984 Martz F16L 3/127
 248/62
 D295,724 S * 5/1988 Shioda D8/380
 D295,725 S * 5/1988 Shioda D8/380
 D306,553 S * 3/1990 Rumpel D8/395
 5,433,414 A 7/1995 Vieira
 5,533,696 A * 7/1996 Laughlin F16L 3/12
 248/74.1
 5,662,288 A 9/1997 Chiang
 5,697,591 A * 12/1997 Cooper F21V 21/08
 248/229.16
 5,855,342 A * 1/1999 Hawkins F16L 3/24
 248/55
 5,984,243 A * 11/1999 Pfaller F16L 3/1066
 248/74.1
 D426,577 S * 6/2000 Mackey D19/32
 6,109,569 A * 8/2000 Sakaida F16L 3/222
 248/316.7
 D430,699 S * 9/2000 Coleman, Jr. D26/138
 D437,167 S 2/2001 Hardaway

6,446,927 B1 9/2002 Nuss
 6,494,415 B1 * 12/2002 Roth F16L 3/24
 248/62
 D483,654 S * 12/2003 Taylor D8/356
 6,755,382 B1 6/2004 Melnick
 6,899,305 B2 * 5/2005 Korczak F16L 3/12
 248/68.1
 7,097,142 B1 * 8/2006 Schmidt F16L 3/12
 248/68.1
 D537,331 S * 2/2007 Hill D8/395
 7,278,544 B2 10/2007 Blateri
 7,456,361 B2 * 11/2008 Hill H01R 4/48
 174/84 C
 D619,452 S * 7/2010 Ollila D8/396
 D631,740 S * 2/2011 Wood D8/396
 D632,554 S * 2/2011 Grzyb D8/395
 7,992,829 B1 * 8/2011 Baker F16L 3/24
 248/62
 D647,788 S * 11/2011 Weaver D8/396
 D648,119 S * 11/2011 Jertson D3/218
 D660,690 S * 5/2012 Mixides D8/396
 D690,583 S * 10/2013 Sendra-Gonzalez .. F24J 2/5203
 D8/394
 8,662,455 B2 * 3/2014 Hernandez F16B 2/245
 248/222.12
 D747,181 S * 1/2016 Hikoyama D8/394
 D754,001 S * 4/2016 Barrier D7/622
 D760,583 S * 7/2016 Weilage D8/395
 2002/0130237 A1 * 9/2002 Kluser F16B 5/0685
 248/316.1

* cited by examiner

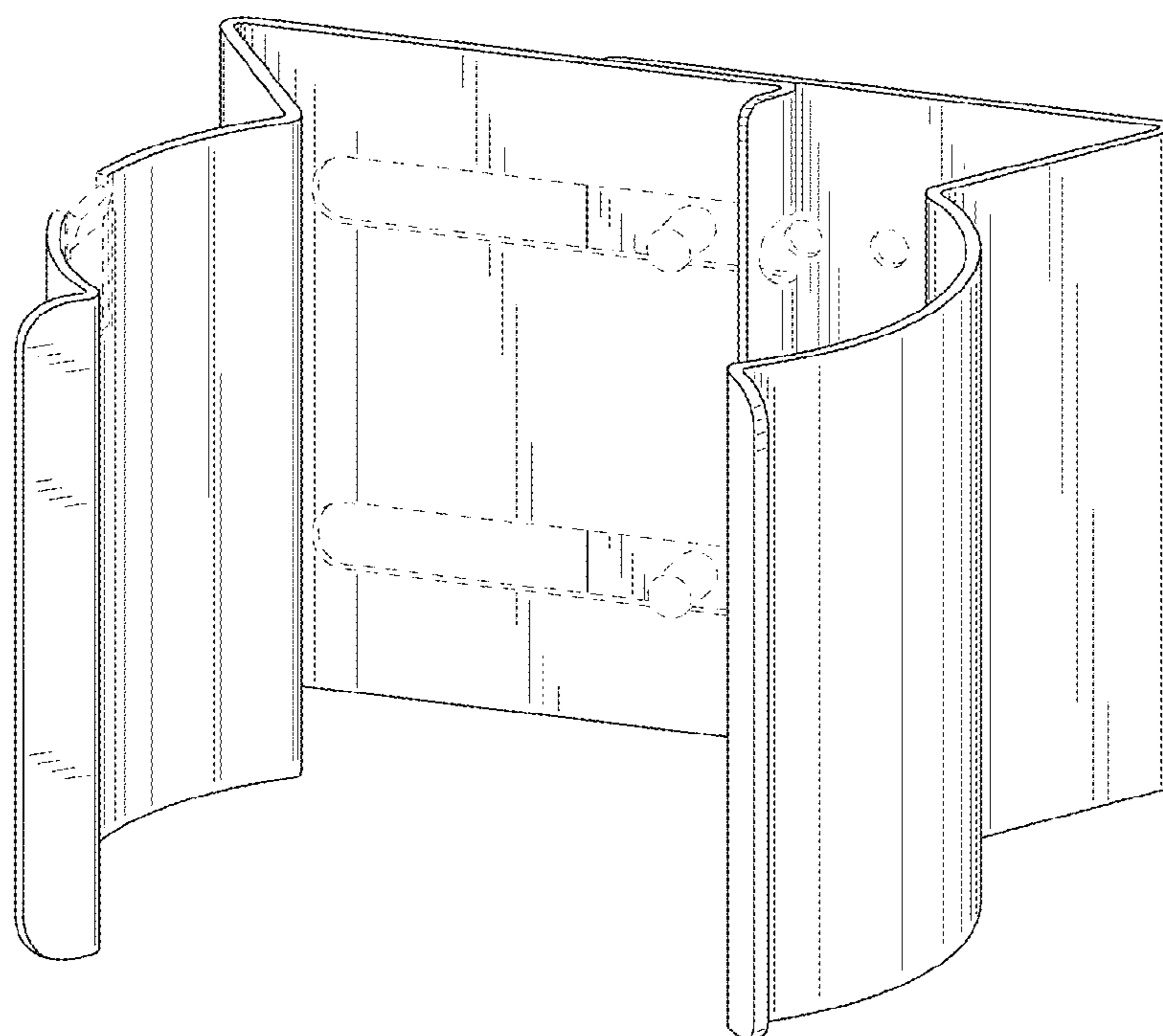


Fig. 1

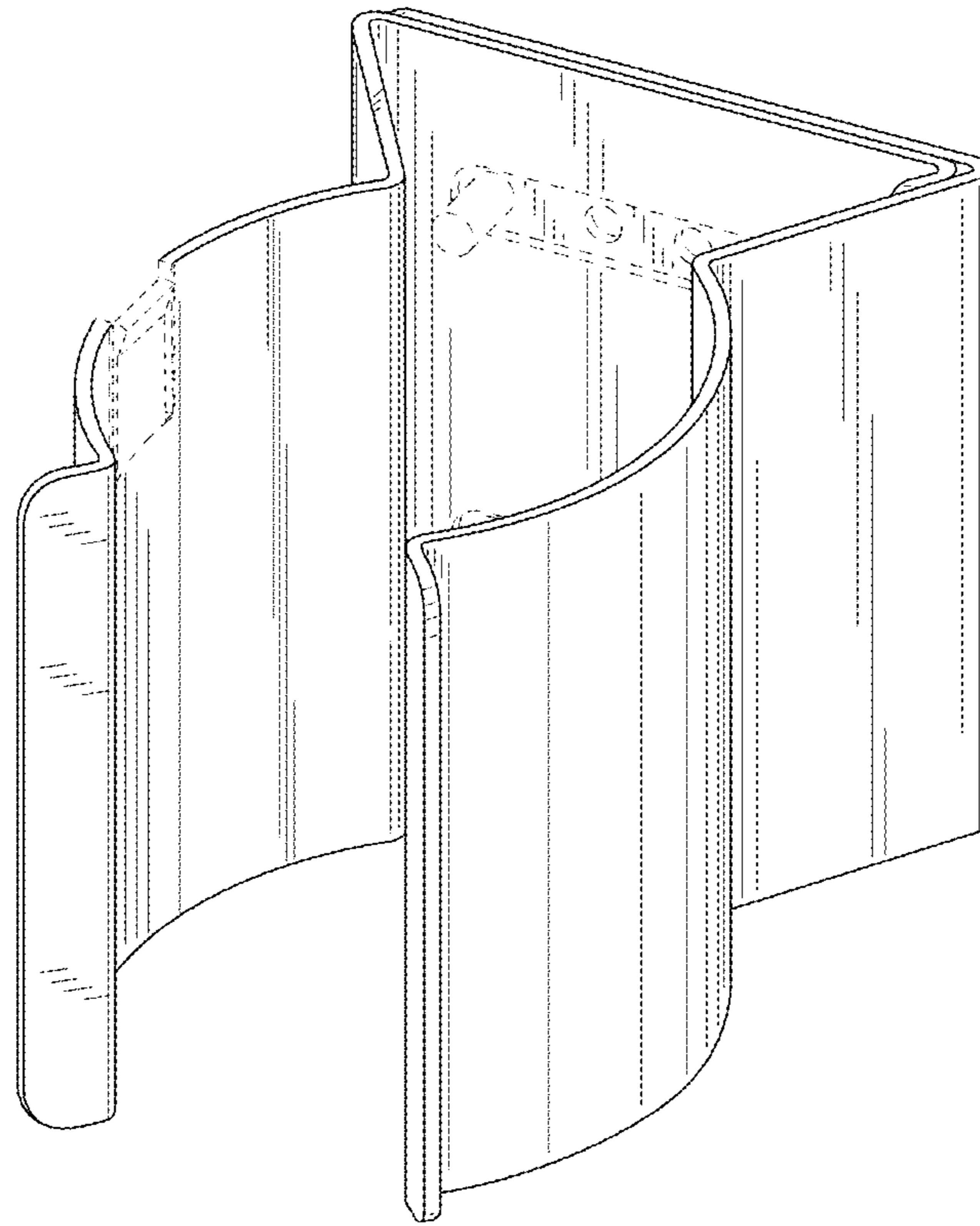


Fig. 2

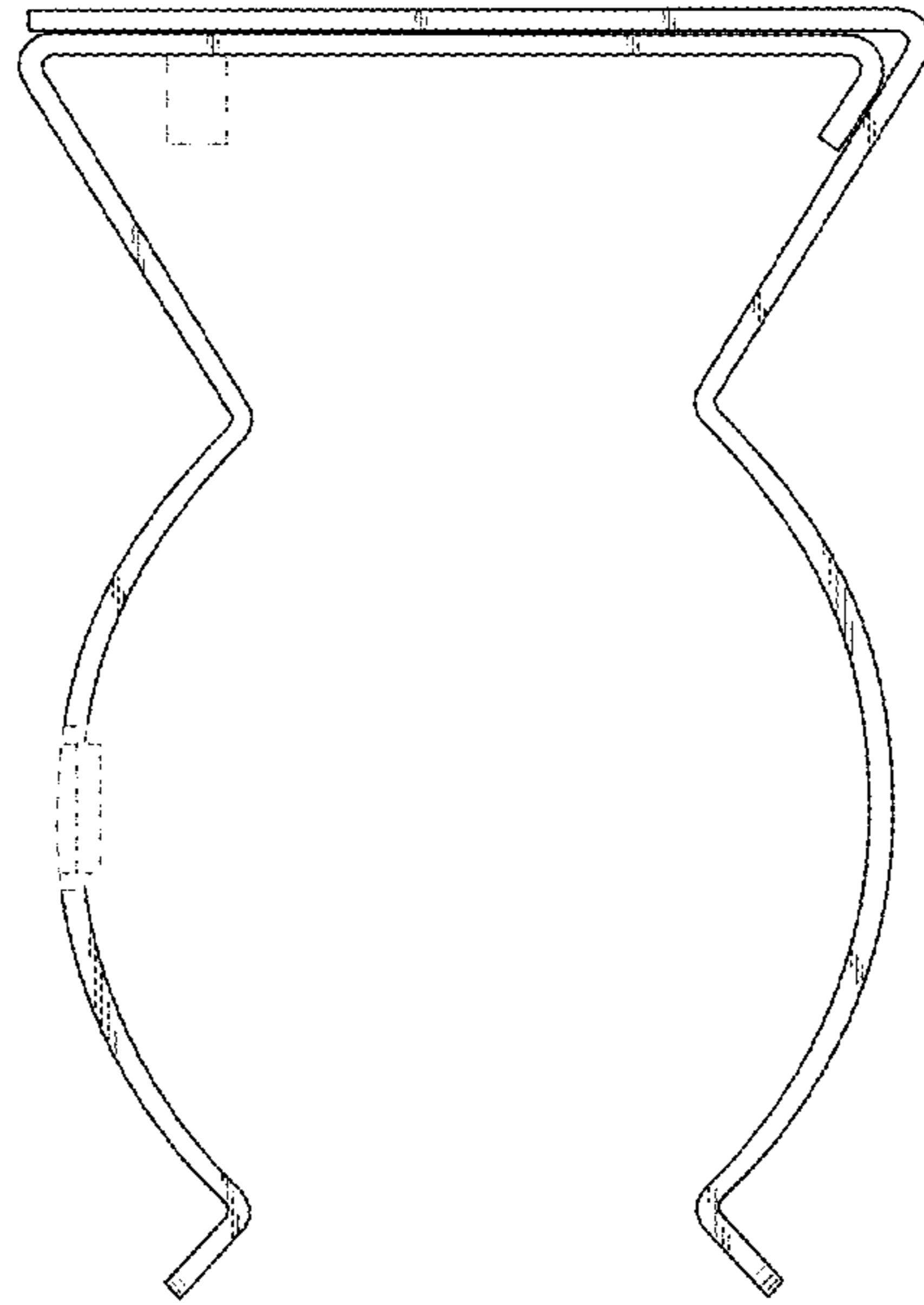


Fig. 3

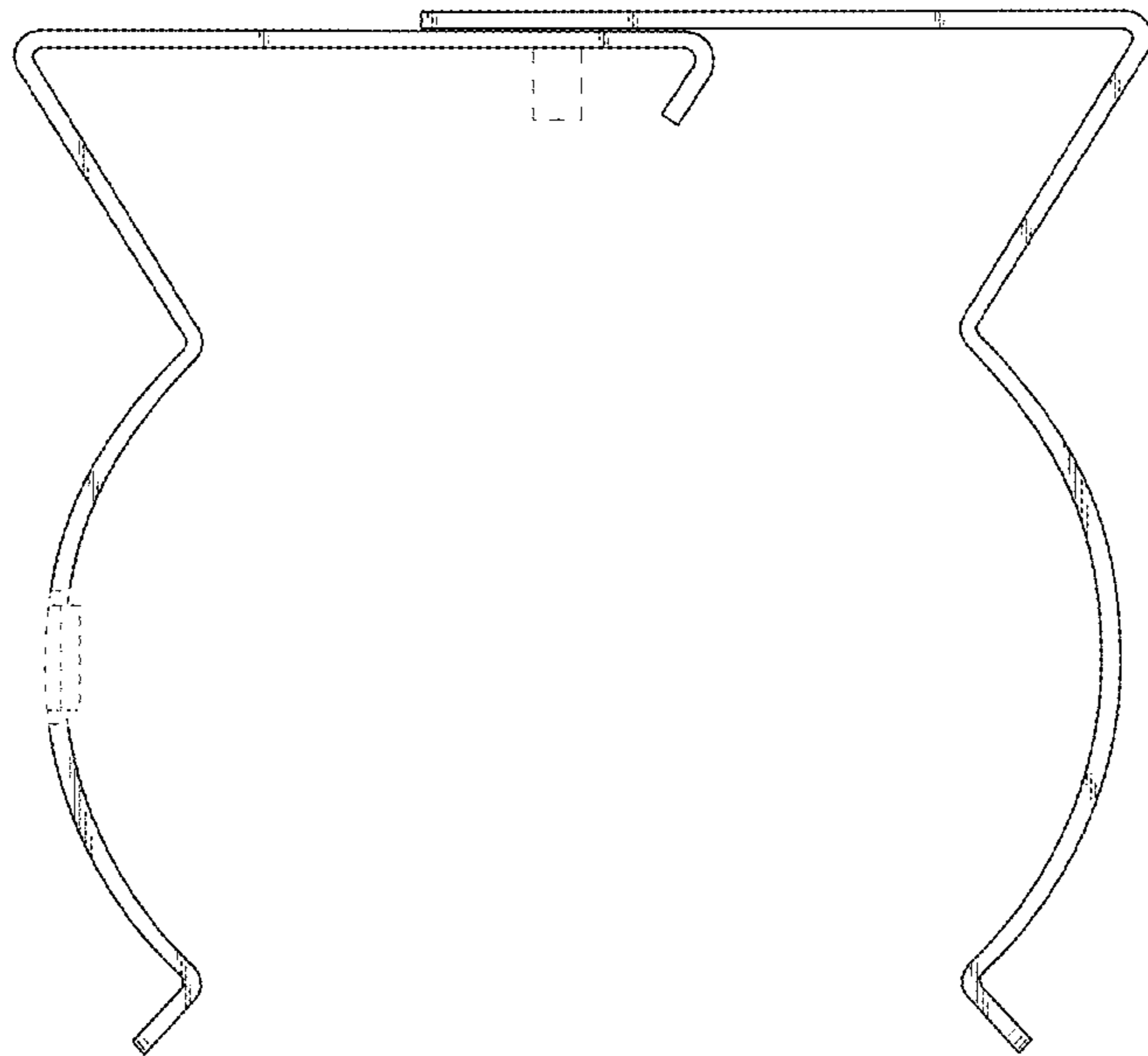


Fig. 4

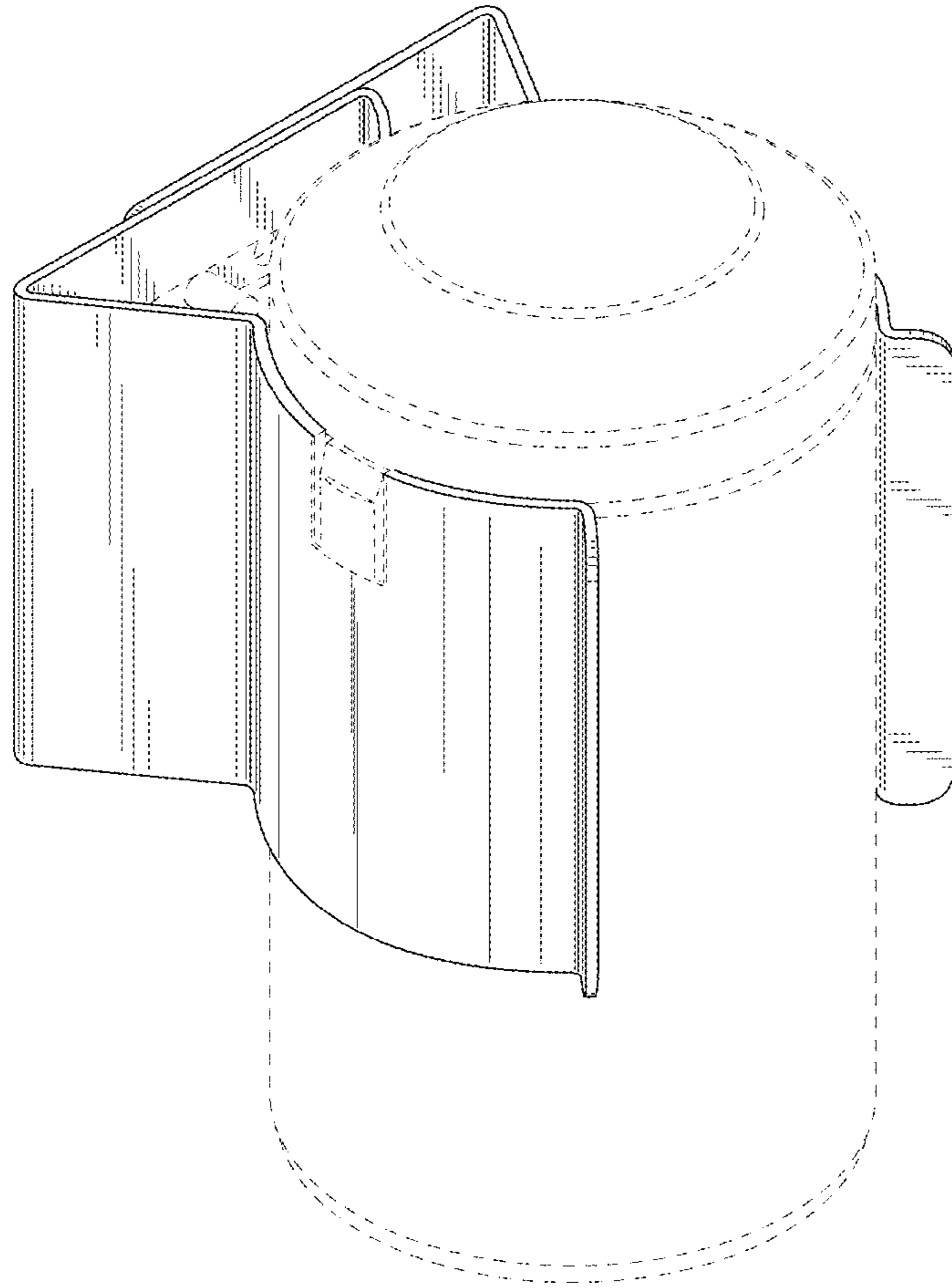


Fig. 5

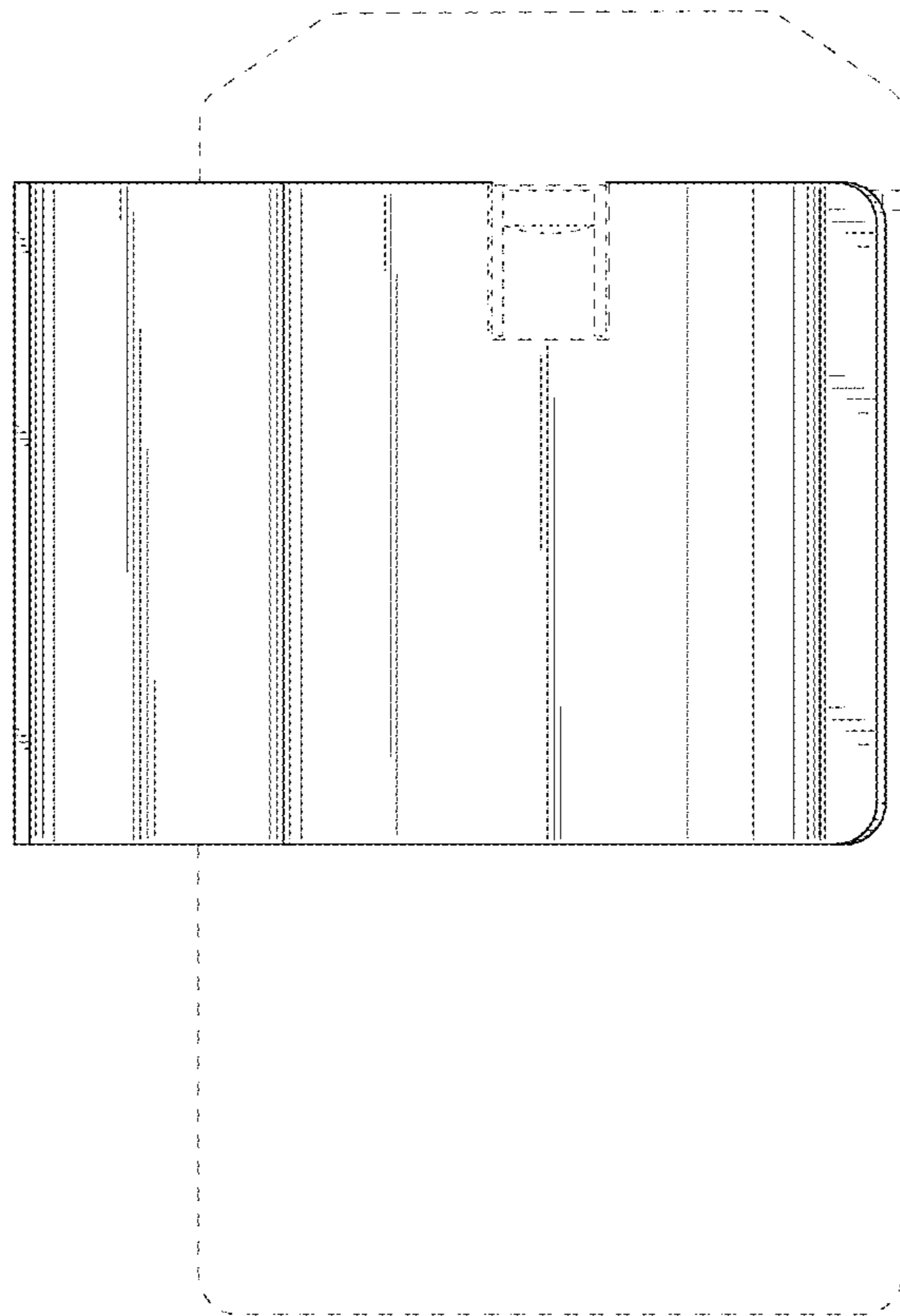


Fig. 6

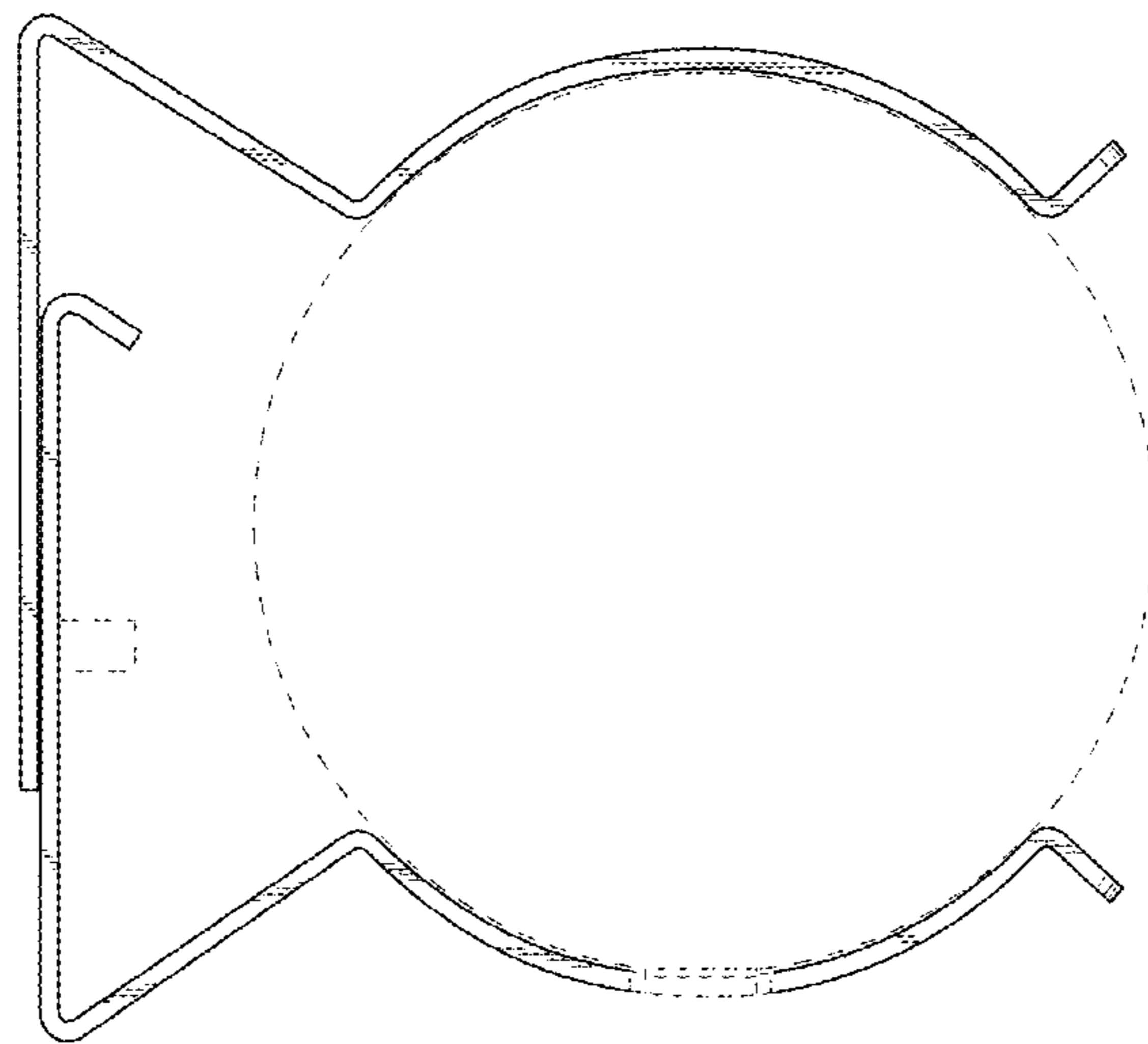


Fig. 7