



US00D813659S

(12) **United States Design Patent**
Ostoyic

(10) **Patent No.:** **US D813,659 S**

(45) **Date of Patent:** **** Mar. 27, 2018**

(54) **THEFT RESISTANT SUPPORT HAVING AN ADJUSTABLE LENGTH TREE ENCIRCLING BAND AND A CLAMPING BLOCK**

(71) Applicant: **Gary S Ostoyic**, Chagrin Falls, OH (US)

(72) Inventor: **Gary S Ostoyic**, Chagrin Falls, OH (US)

(**) Term: **15 Years**

(21) Appl. No.: **29/505,505**

(22) Filed: **Nov. 27, 2015**

(51) **LOC (11) Cl.** **08-08**

(52) **U.S. Cl.**
USPC **D8/396**

(58) **Field of Classification Search**
USPC D8/356, 383, 394-396
CPC F16L 33/02; F16L 33/025; F16L 33/035;
F16L 3/12; F16L 3/137
See application file for complete search history.

(56) **References Cited**

U.S. PATENT DOCUMENTS

289,334 A	11/1883	Brewer	
1,273,922 A	7/1918	Prattinger	
1,502,902 A	7/1924	Brown	
2,469,592 A	5/1949	Byer	
2,578,860 A	12/1951	Tetzlaff	
2,621,383 A	12/1952	Tresidder et al.	
3,388,438 A	6/1968	Tetzlaff	
D214,123 S *	5/1969	Merser	24/704.2
3,694,869 A	10/1972	Matsuura	
D230,951 S *	3/1974	Marchese	24/274 R
3,841,118 A	10/1974	Stone	
3,987,653 A	10/1976	Lyon et al.	
4,257,149 A	3/1981	Sydenal	
D262,436 S *	12/1981	Bone	D8/394
4,342,477 A	8/1982	McClure	
D266,484 S *	10/1982	Bone	D8/394

D273,841 S *	5/1984	Chace	D22/199
4,451,955 A *	6/1984	Kern	F16L 33/025 24/20 CW
D289,141 S *	4/1987	Tunno	D8/394
4,663,807 A *	5/1987	Bozzo	B65D 33/1675 24/16 PB
D314,325 S *	2/1991	Ziaylek, Jr.	D8/373
D331,189 S *	11/1992	Daigle	D8/356
D347,156 S *	5/1994	Starrett	D29/120.2
D363,212 S *	10/1995	Hill	D8/356
D370,407 S *	6/1996	Pietrowski	D8/394
5,984,380 A	11/1999	Rice	
D424,566 S *	5/2000	Baker	D14/217
D442,852 S *	5/2001	Gopalraja	D8/395
D442,853 S *	5/2001	Gopalraja	D8/395
D448,658 S *	10/2001	Farina	D8/382
6,578,913 B2	6/2003	Wilhelm	

(Continued)

Primary Examiner — Melanie H Tung

Assistant Examiner — Bao-Yen Nguyen

(74) *Attorney, Agent, or Firm* — David A. Burge

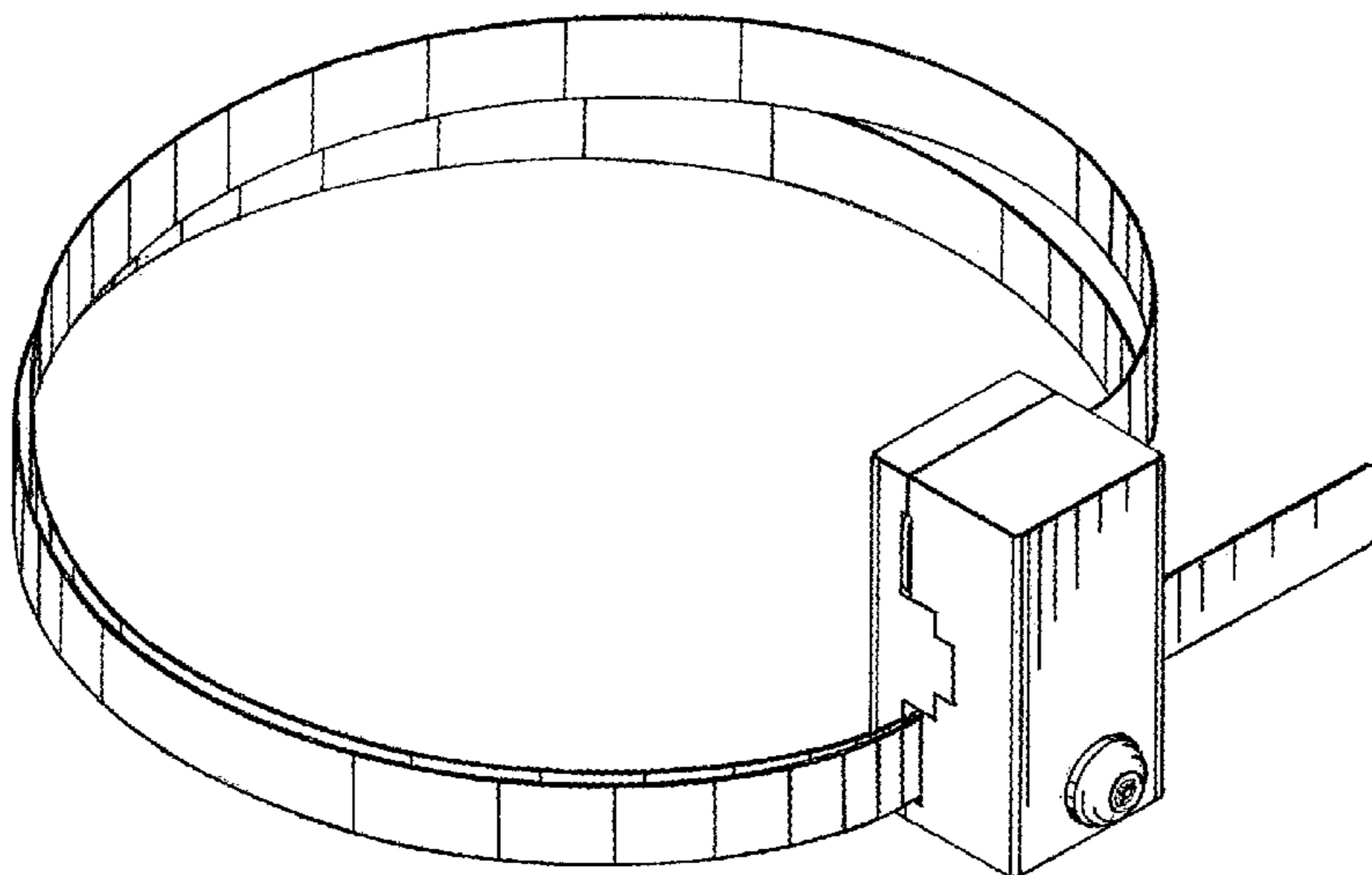
(57) **CLAIM**

I claim a theft resistant support having an adjustable length tree encircling band and a clamping block, as shown and described.

DESCRIPTION

FIG. 1 is a perspective view of a theft resistant support having an adjustable length tree encircling band and clamping block showing my new design;
FIG. 2 is a front elevational view thereof;
FIG. 3 is a right side elevational view thereof;
FIG. 4 is a left side elevational view thereof;
FIG. 5 is a rear elevational view bottom view plan thereof;
and,
FIG. 6 is a top plan view thereof, it being understood that a bottom plan view thereof is substantially identical hereto, but a mirror image reversal thereof.

1 Claim, 3 Drawing Sheets



(56)

References Cited

U.S. PATENT DOCUMENTS

6,991,204	B2	1/2006	Ay	248/308
D538,144	S *	3/2007	Verstraeten	D8/394
7,204,107	B2	4/2007	Leyden et al.		
D574,227	S *	8/2008	Andersson	D23/265
D580,748	S *	11/2008	Polak	D8/394
D608,627	S *	1/2010	Beatty	D8/394
D609,997	S *	2/2010	Andersson	D23/265
D615,857	S *	5/2010	Chandler	D23/265
D632,555	S *	2/2011	Sarkissian	D8/396
D647,394	S *	10/2011	Taylor	B65D 45/345
					D8/396
D653,529	S *	2/2012	Tomasi	D8/396
D723,361	S *	3/2015	Adams	D8/383
D736,072	S *	8/2015	Sandman	D8/394
2006/0197001	A1	9/2006	Parker et al.		
2008/0169156	A1	7/2008	Leishman et al.		

* cited by examiner

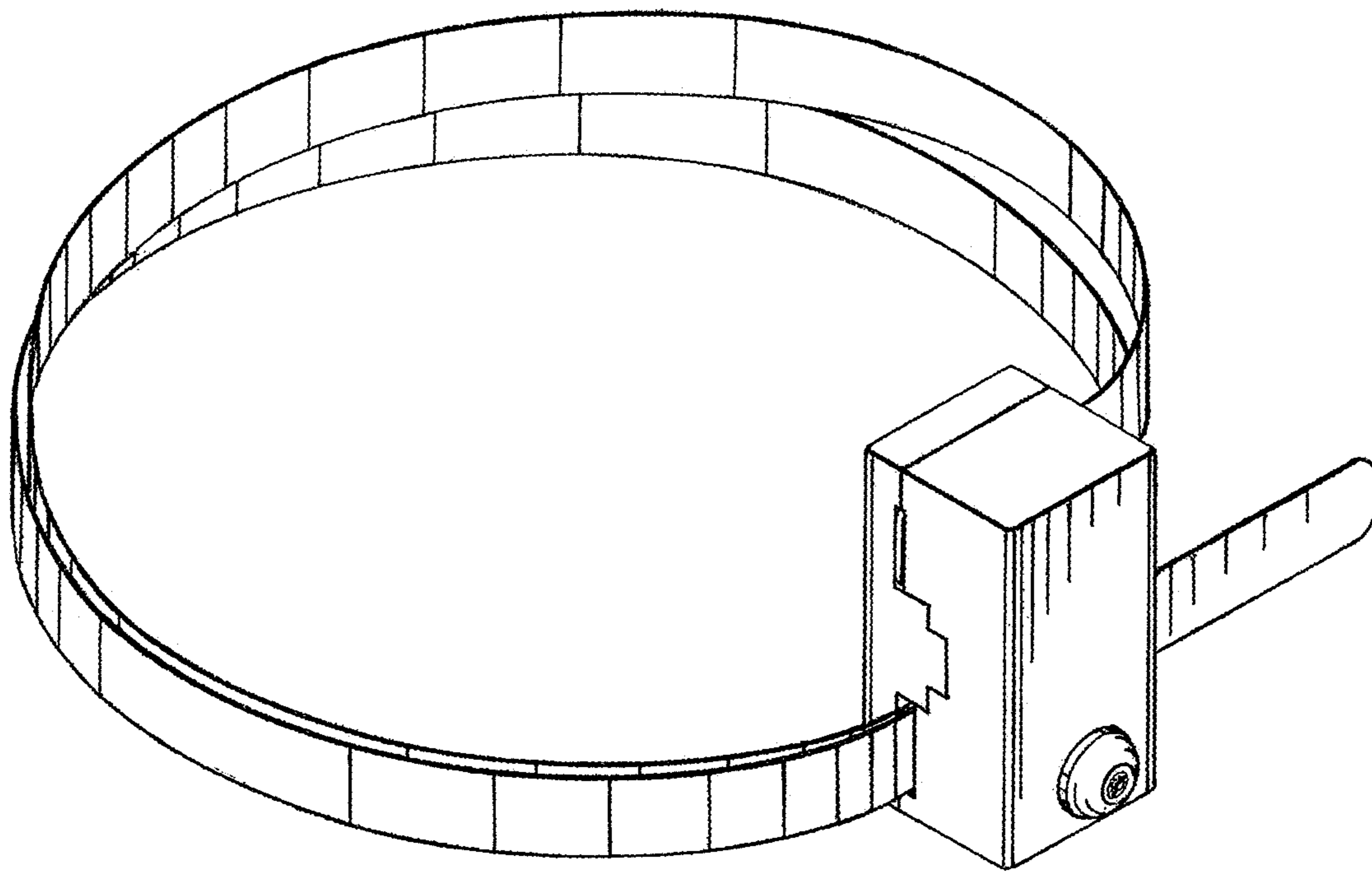


FIG. 1

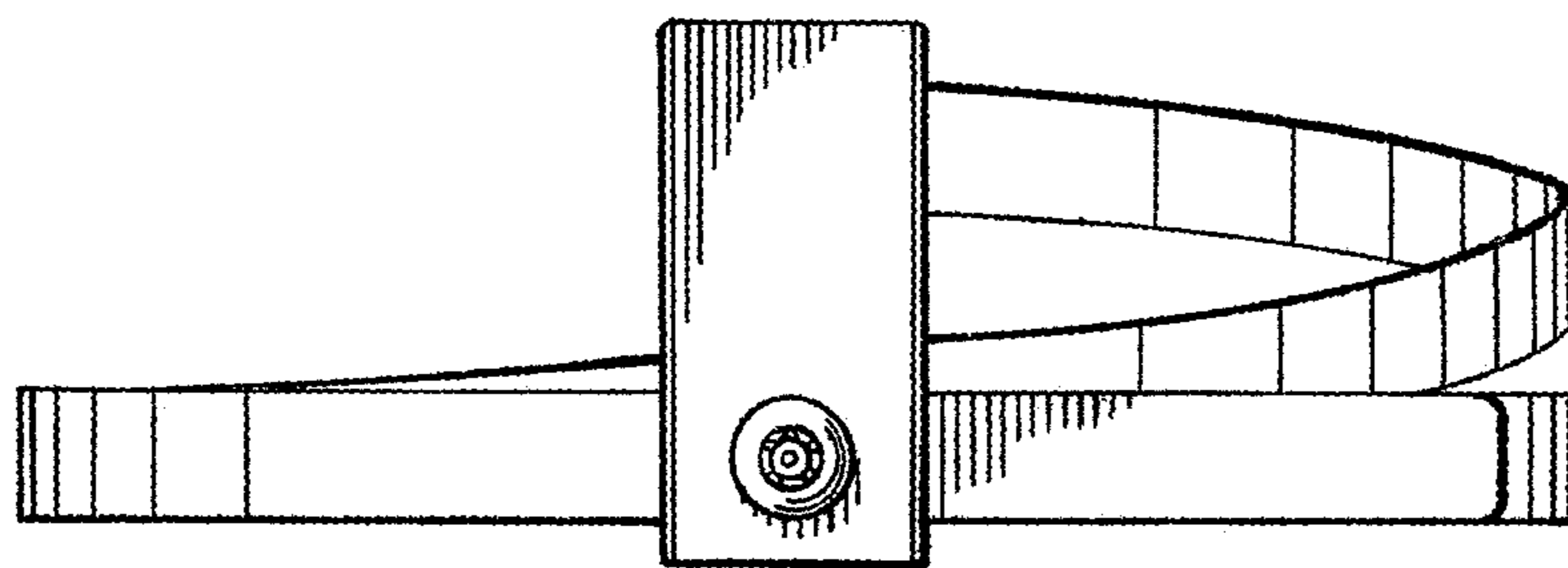


FIG. 2

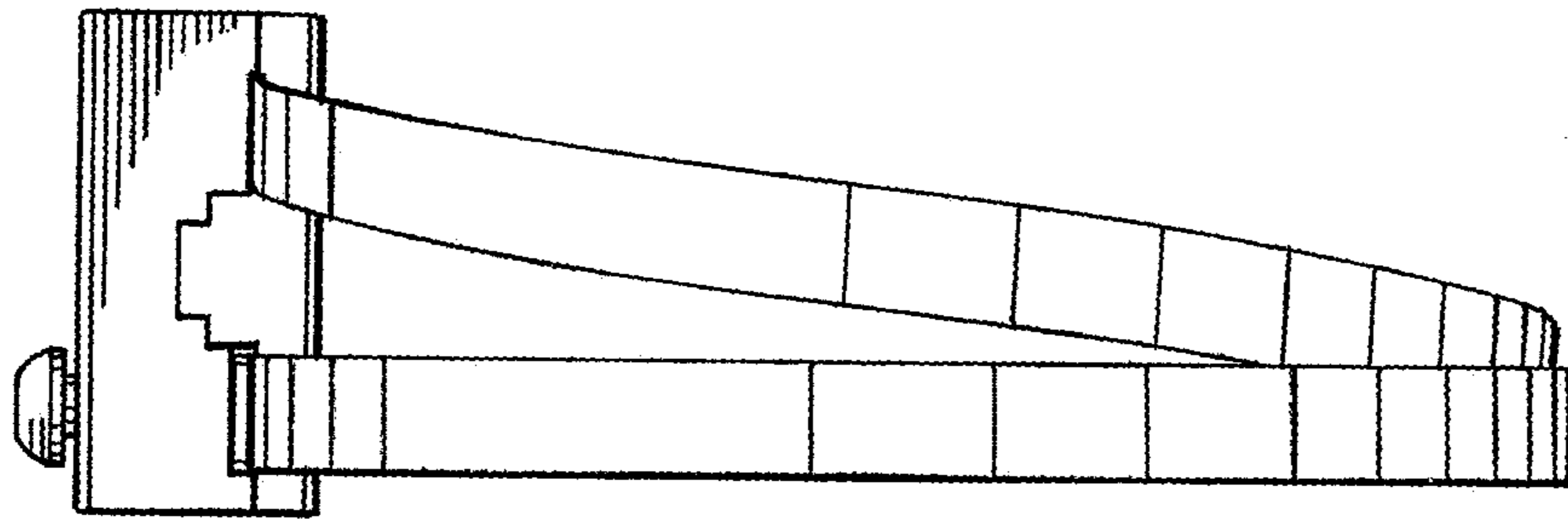


FIG. 3

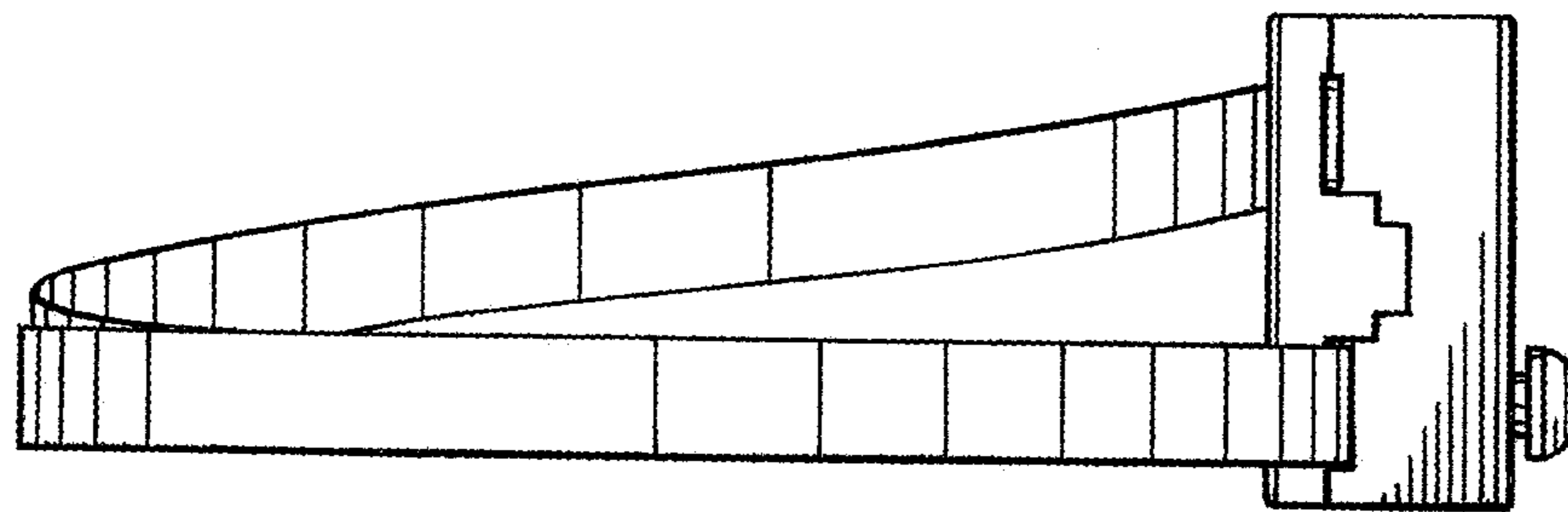


FIG. 4

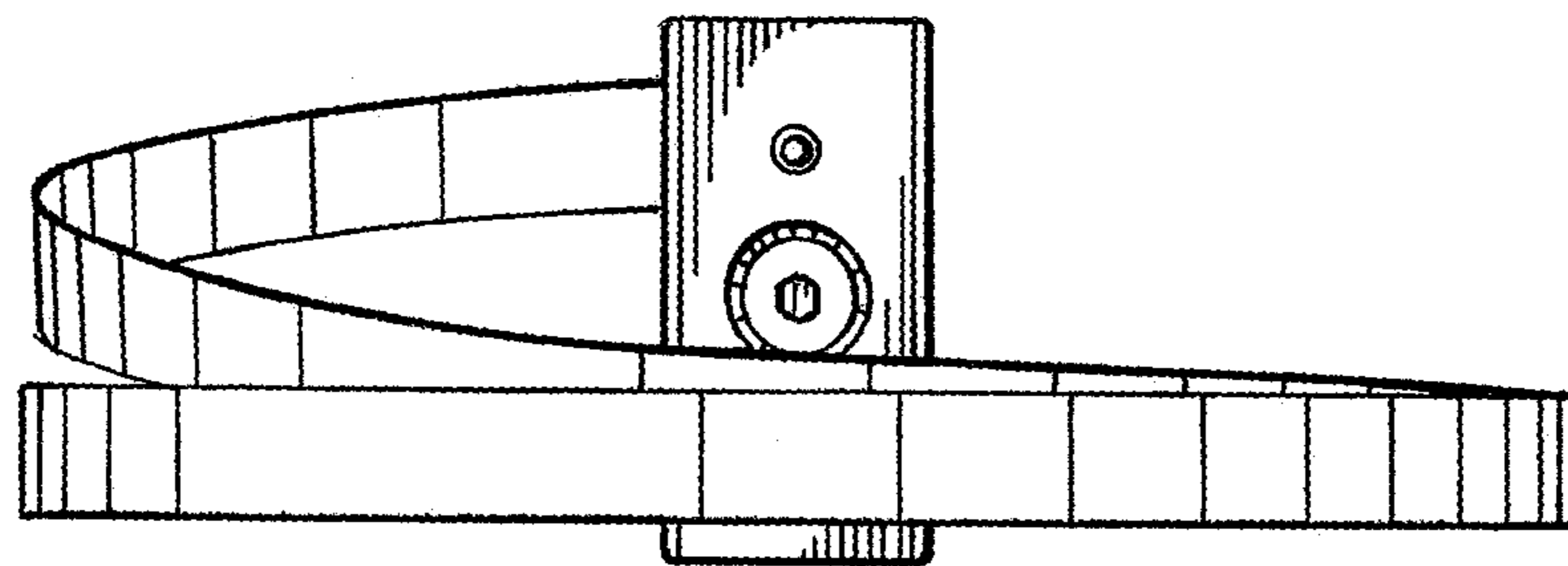


FIG. 5

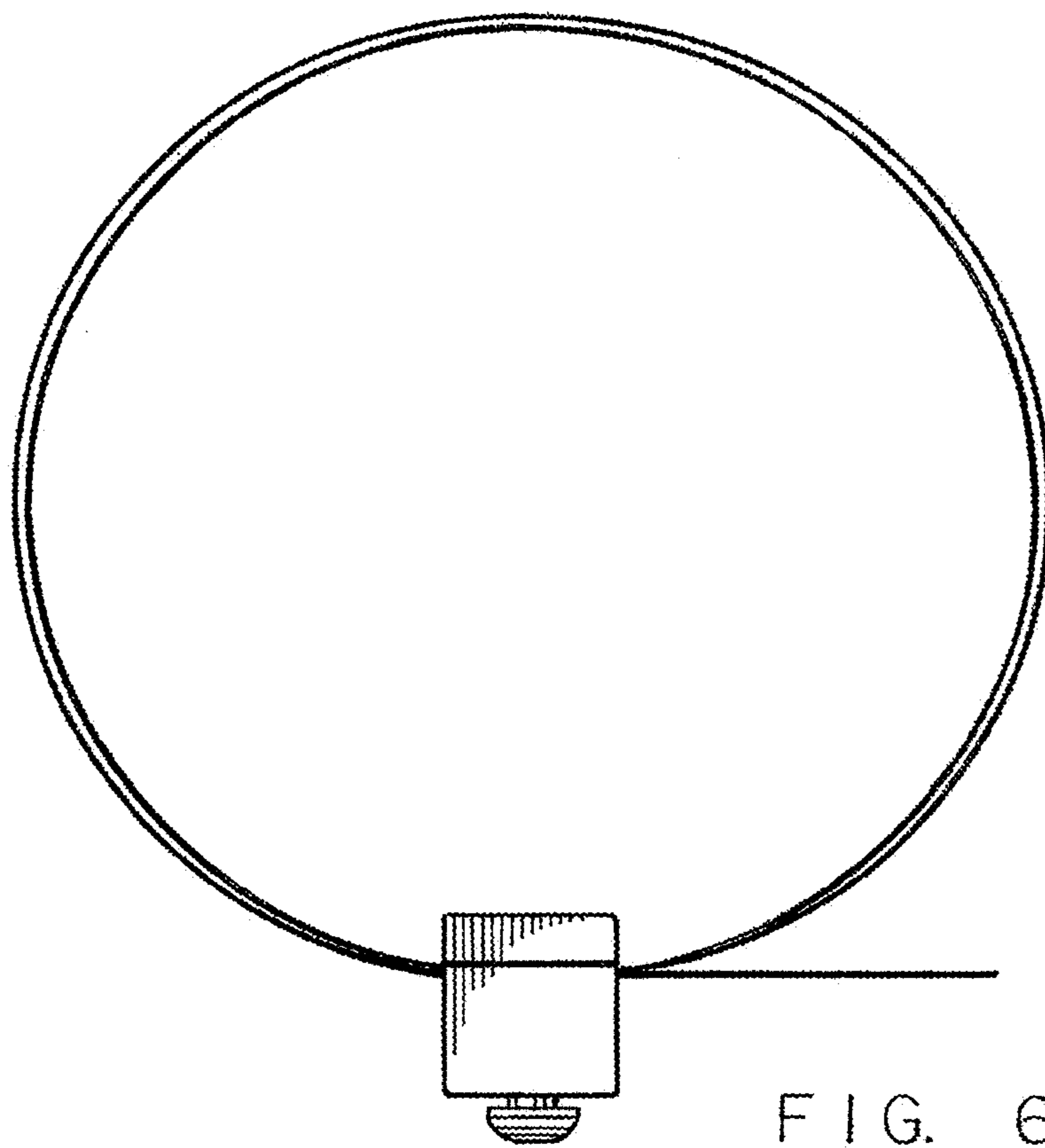


FIG. 6