



US00D813658S

(12) **United States Design Patent**
Wright

(10) **Patent No.:** **US D813,658 S**
(45) **Date of Patent:** **** Mar. 27, 2018**

(54) **HOSE GRIP**

- (71) Applicant: **Jim Wright**, Sacramento, CA (US)
- (72) Inventor: **Jim Wright**, Sacramento, CA (US)
- (73) Assignee: **J. Wright Concepts**, Sacramento, CA (US)
- (**) Term: **15 Years**
- (21) Appl. No.: **29/595,250**
- (22) Filed: **Feb. 27, 2017**

Related U.S. Application Data

- (63) Continuation of application No. 29/557,464, filed on Mar. 9, 2016, now Pat. No. Des. 786,661.
- (51) **LOC (11) Cl.** **08-08**
- (52) **U.S. Cl.**
USPC **D8/395**; D23/262
- (58) **Field of Classification Search**
USPC D8/394, 396; D23/262–266;
D24/129–130
CPC B65D 63/10; F16L 33/02
See application file for complete search history.

(56) **References Cited**

U.S. PATENT DOCUMENTS

D117,444 S *	11/1939	Busian	D23/262
D340,942 S *	11/1993	Smith	D15/29
D431,864 S *	10/2000	Jansen	D24/129
D435,652 S *	12/2000	Nazarifar	D23/262
D438,453 S *	3/2001	Nelson	D8/395
6,772,519 B2 *	8/2004	St. James	F16L 33/02
				285/241
D534,796 S *	1/2007	Falkenburg	D23/262
D537,334 S *	2/2007	Lee	D8/396
D597,183 S *	7/2009	Choi	D23/263
D601,671 S *	10/2009	Johnson	D23/262

(Continued)

FOREIGN PATENT DOCUMENTS

JP D1182436 * 8/2003

OTHER PUBLICATIONS

AmazonSmile: RoadPro RP1011G Red/Blue Gladhand Air Hose Disconnect Grip, review date May 15, 2015, site visited Jul. 20, 2017, https://smile.amazon.com/RoadPro-RP1011G-Blue-Gladhand-Disconnect/dp/B007MY9OTU/ref=sr_1_20?ie=UTF8&qid=1500593468&sr=8-20&keywords=hose+grip.*

(Continued)

Primary Examiner — John Windmuller

Assistant Examiner — John R Yeh

(74) *Attorney, Agent, or Firm* — Dunlap Bennett & Ludwig PLLC; Brendan E. Squire

(57) **CLAIM**

The ornamental design for a hose grip, as shown and described.

DESCRIPTION

FIG. 1 is a front perspective view of the hose grip showing my new design;

FIG. 2 is a front elevation view thereof, the rear elevation view being an identical image thereof;

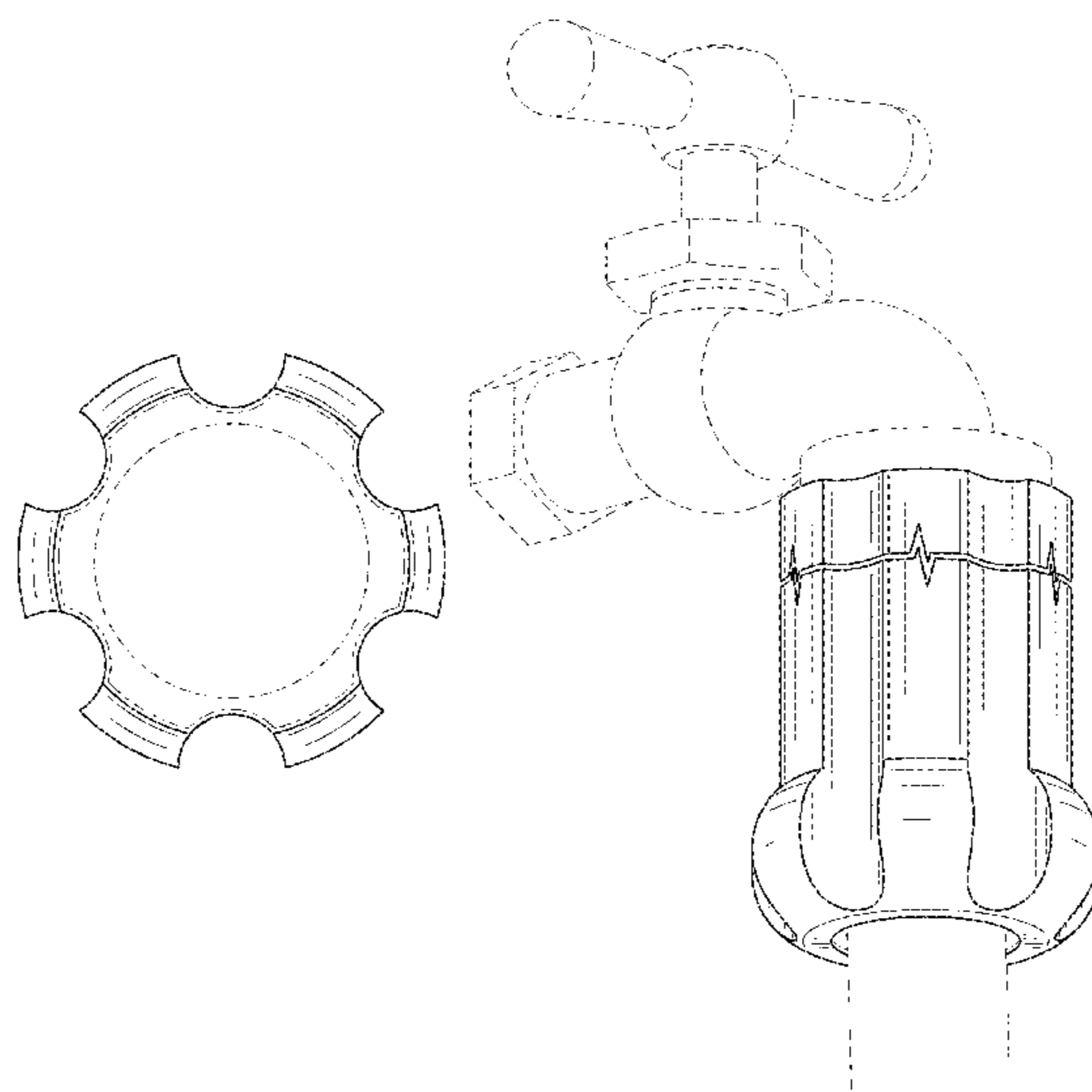
FIG. 3 is a left side elevation view thereof, the right side elevation being an identical image thereof;

FIG. 4 is a top plan view thereof;

FIG. 5 is a bottom plan view thereof; and,

FIG. 6 is a front perspective view of the hose grip in use. The dot-dash-dot lines shown in the drawings illustrate boundaries that form no part of the claimed design. The hose grip is shown with a symbolic break in its length. The appearance of any portion of the article between the break lines forms no part of the claimed design. The broken lines in the figures represent portions of the hose grip and environment that form no part of the claimed design.

1 Claim, 3 Drawing Sheets



(56)

References Cited

U.S. PATENT DOCUMENTS

D702,543 S *	4/2014	Bell	D8/397
D714,935 S *	10/2014	Nishioka	D24/130
D733,846 S *	7/2015	Guest	D23/262
D736,914 S *	8/2015	Schultz	D24/129
D741,457 S *	10/2015	Guest	D23/262
D745,116 S *	12/2015	Lehmann	D23/262
D747,471 S *	1/2016	Gulliver	D24/129
D770,615 S *	11/2016	Chauvette	D24/129
D783,392 S *	4/2017	Dew	D8/396
D786,661 S *	5/2017	Wright	D8/396
D787,054 S *	5/2017	Rini	D24/130
D787,650 S *	5/2017	Erickson	D23/262
D789,529 S *	6/2017	Davis	D24/130
D790,044 S *	6/2017	Li	D23/262
D791,939 S *	7/2017	Turturro	D24/129

OTHER PUBLICATIONS

AmazonSmile: Hose Nozzle—High Pressure Heavy-Duty Power Washer, review date Oct. 31, 2014, site visited Jul. 20, 2017, https://smile.amazon.com/Hose-Nozzle-Heavy-Duty-Gardening-Satisfaction/dp/B00LMIN8JY/ref=sr_1_299?ie=UTF8&qid=1500593900&sr=8-299&keywords=hose+grip.*

* cited by examiner

FIG. 1

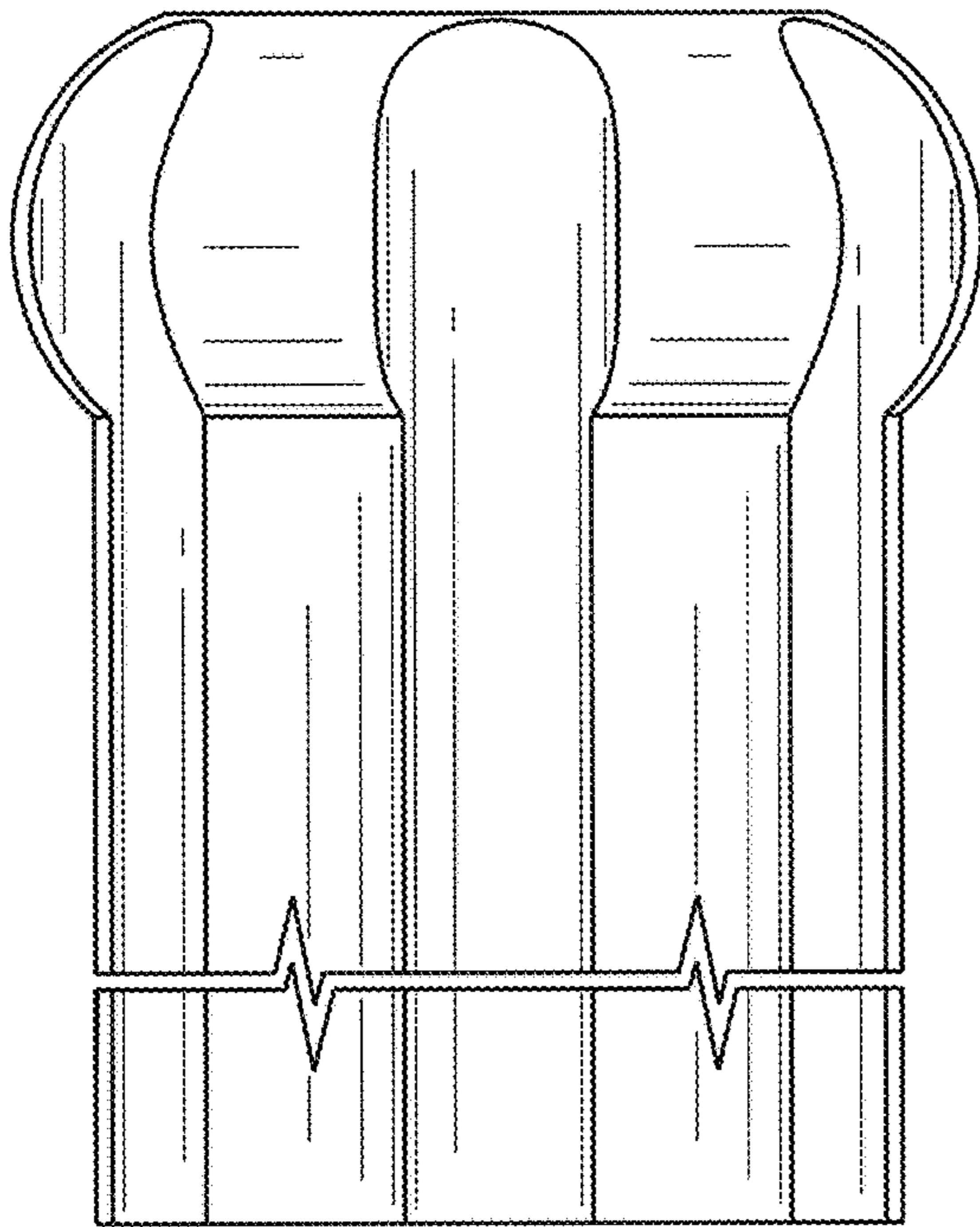
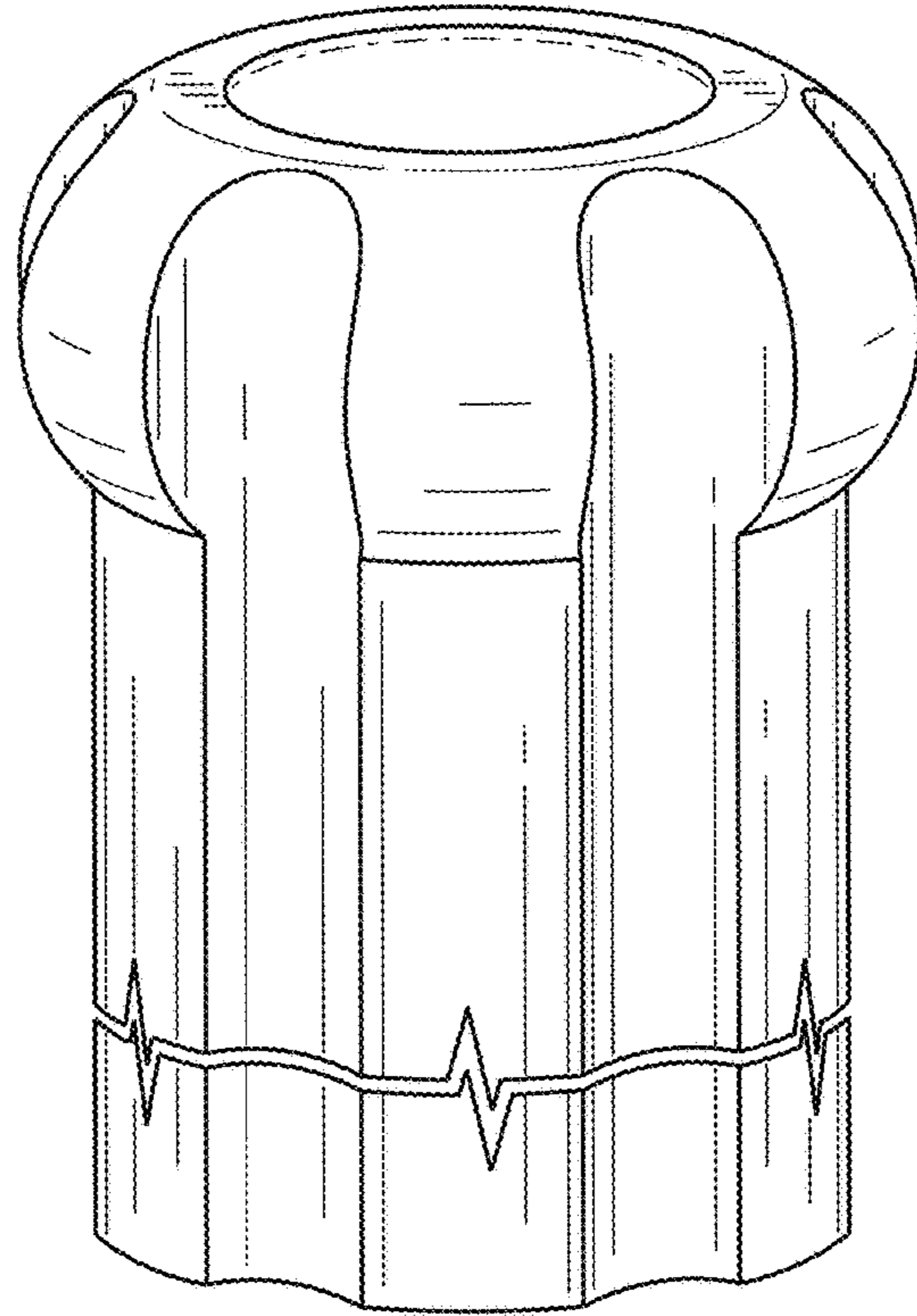


FIG. 2

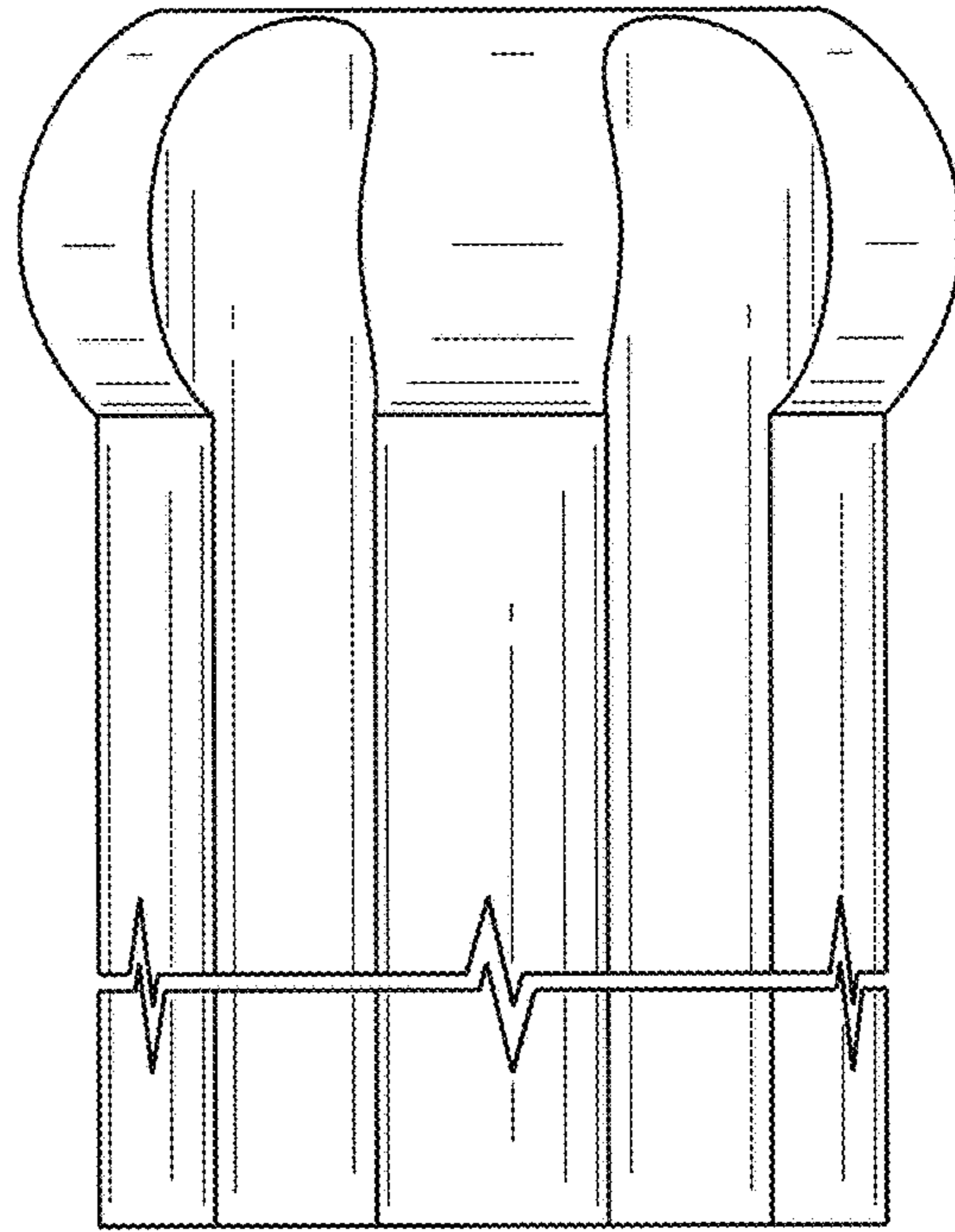


FIG. 3

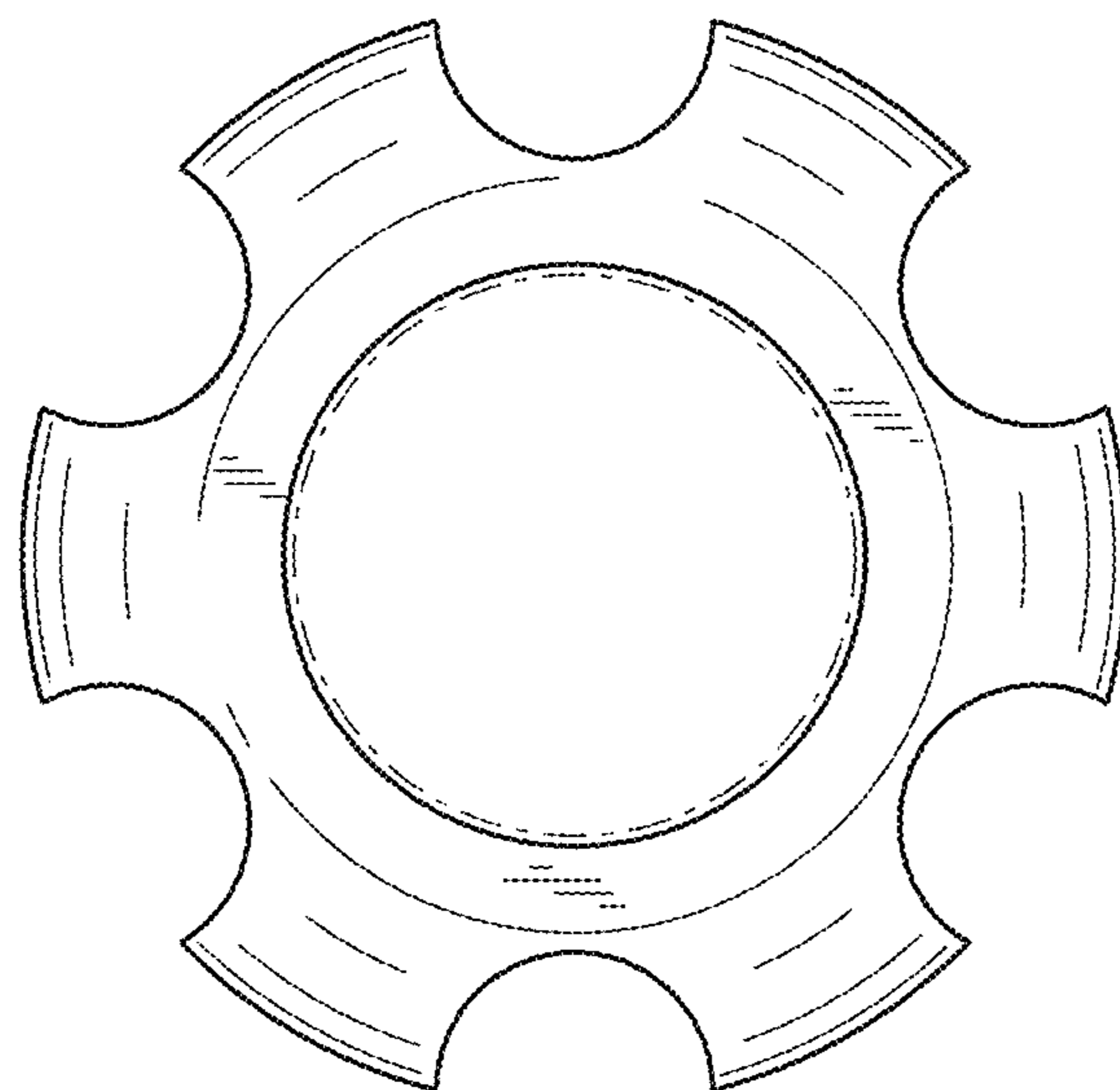


FIG. 4

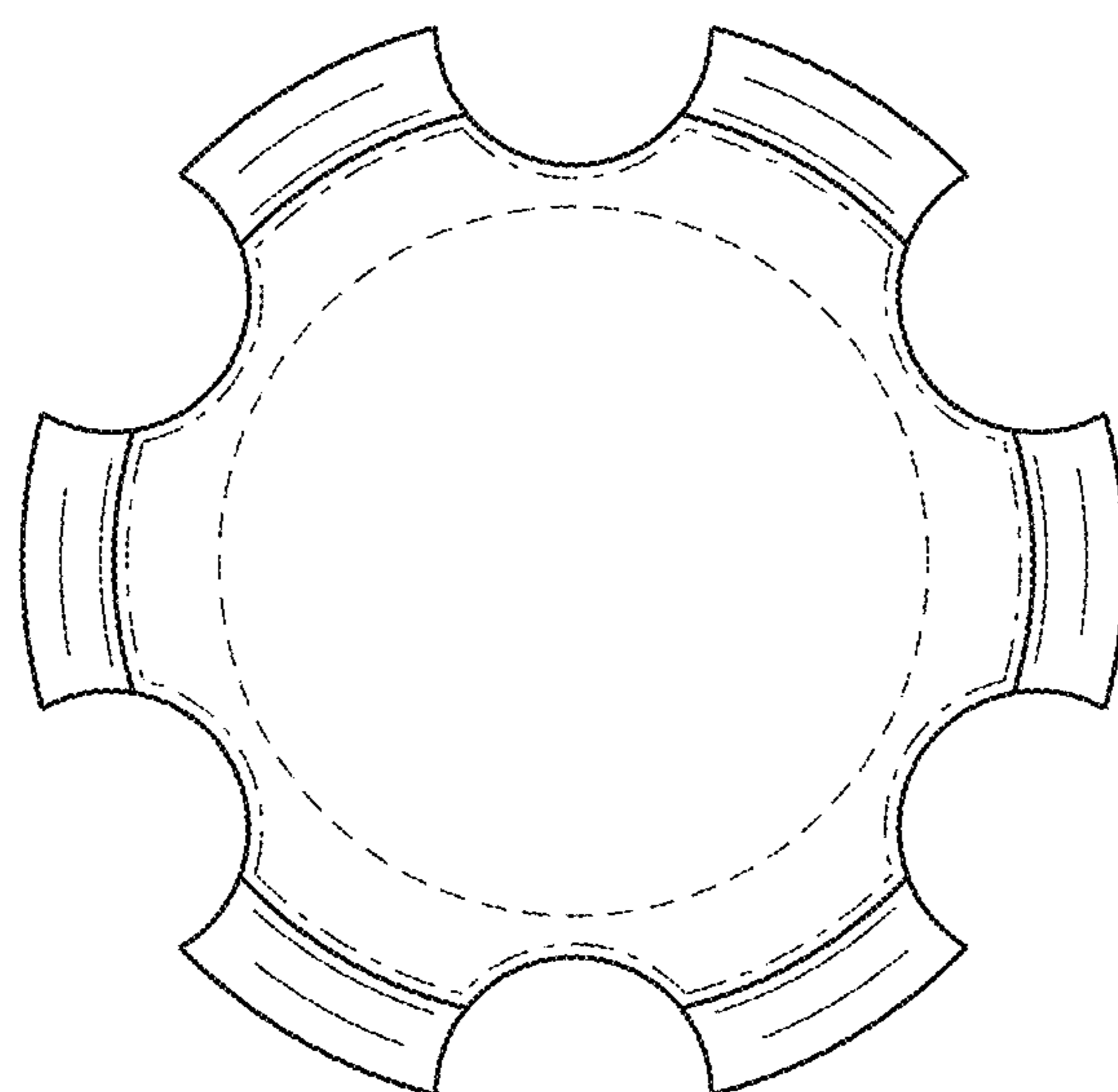


FIG. 5

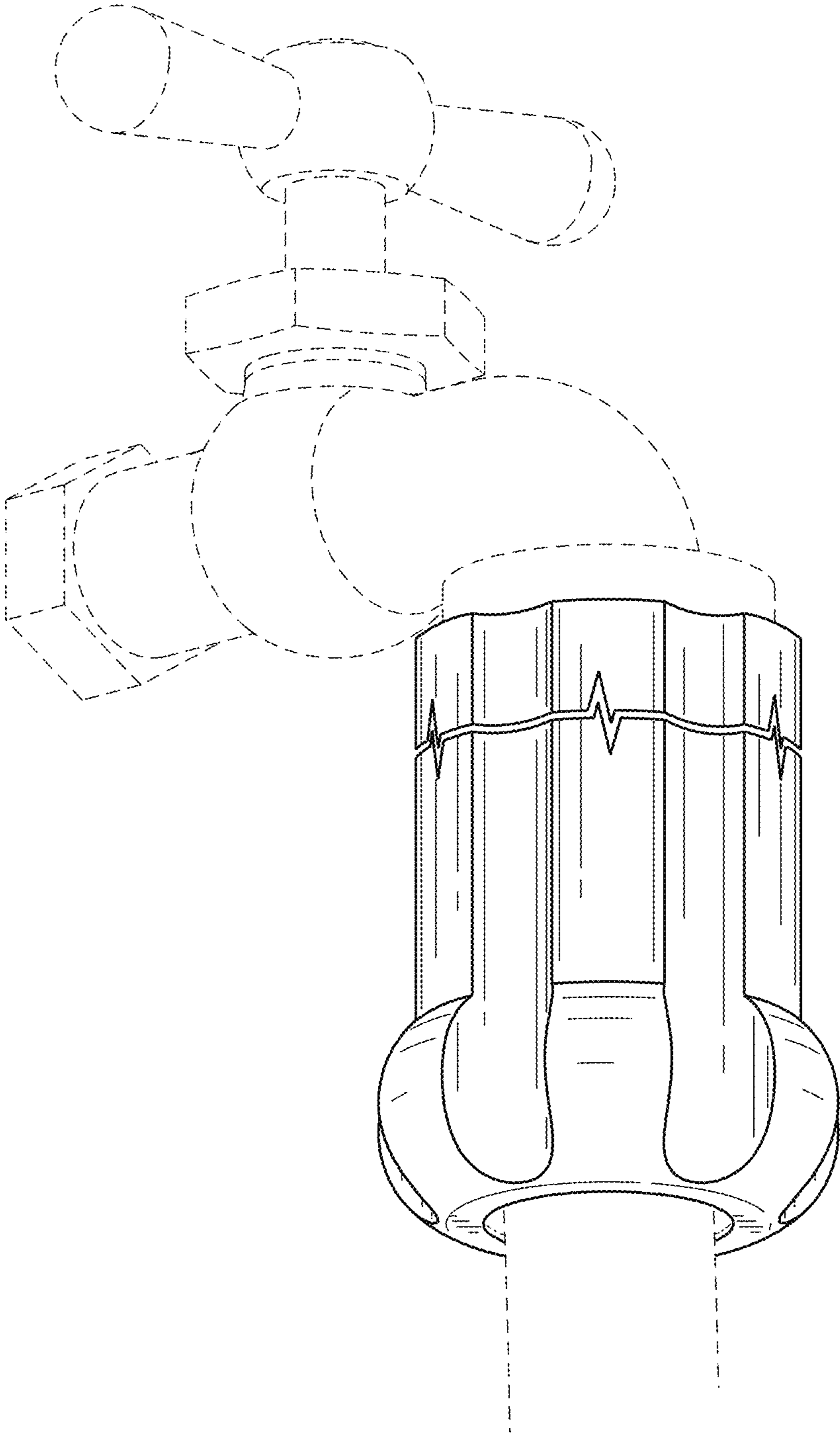


FIG. 6