



US00D813657S

(12) **United States Design Patent** (10) **Patent No.:** **US D813,657 S**
Bowman et al. (45) **Date of Patent:** **** Mar. 27, 2018**

(54) **HINGED COUPLING**
(71) Applicant: **Victaulic Company**, Easton, PA (US)
(72) Inventors: **Matthew A. Bowman**, Palmer, PA (US); **Philip Wayne Bancroft**, Belvidere, NJ (US); **Kathryn E. Yovanovich**, Nazareth, PA (US); **Alan M. Yesavage**, Lenhartsville, PA (US); **Ahmad Sith**, Bethlehem, PA (US); **Scott D. Madara**, Nazareth, PA (US)
(73) Assignee: **Victaulic Company**, Easton, PA (US)
(**) Term: **15 Years**
(21) Appl. No.: **29/581,924**
(22) Filed: **Oct. 24, 2016**
(51) **LOC (11) Cl.** **08-08**
(52) **U.S. Cl.**
USPC **D8/395**; D8/396
(58) **Field of Classification Search**
USPC D8/394-396, 71-72, 79; D23/262-265, D23/296
CPC B65D 45/34; F16L 21/02; F16L 55/18; F16L 21/06; F16L 17/00; F16L 23/00; F16J 15/22; F16J 1/005
See application file for complete search history.

D711,730 S * 8/2014 McKiernan D8/396
D721,950 S * 2/2015 Quinlan D8/396
D722,867 S * 2/2015 Papafagos D8/396
D735,025 S * 7/2015 Mathien D8/396
9,151,420 B2 * 10/2015 McKiernan F16L 23/10
D745,119 S * 12/2015 Browning D23/265
D756,212 S * 5/2016 Wilk, Jr. D23/262
D761,643 S * 7/2016 Papafagos D8/396

(Continued)

FOREIGN PATENT DOCUMENTS

CN 302782167 * 4/2014

OTHER PUBLICATIONS

Anvil Split Ring Hanger, Malleable Iron Grainger, website 2017, <https://www.grainger.com/product/ANVIL-Split-Ring-Hanger-4HYA7>, [site visited Jul. 31, 2017 8:35:41 PM].*

(Continued)

Primary Examiner — John Windmuller
Assistant Examiner — John R Yeh
(74) *Attorney, Agent, or Firm* — Ballard Spahr LLP

(57) **CLAIM**

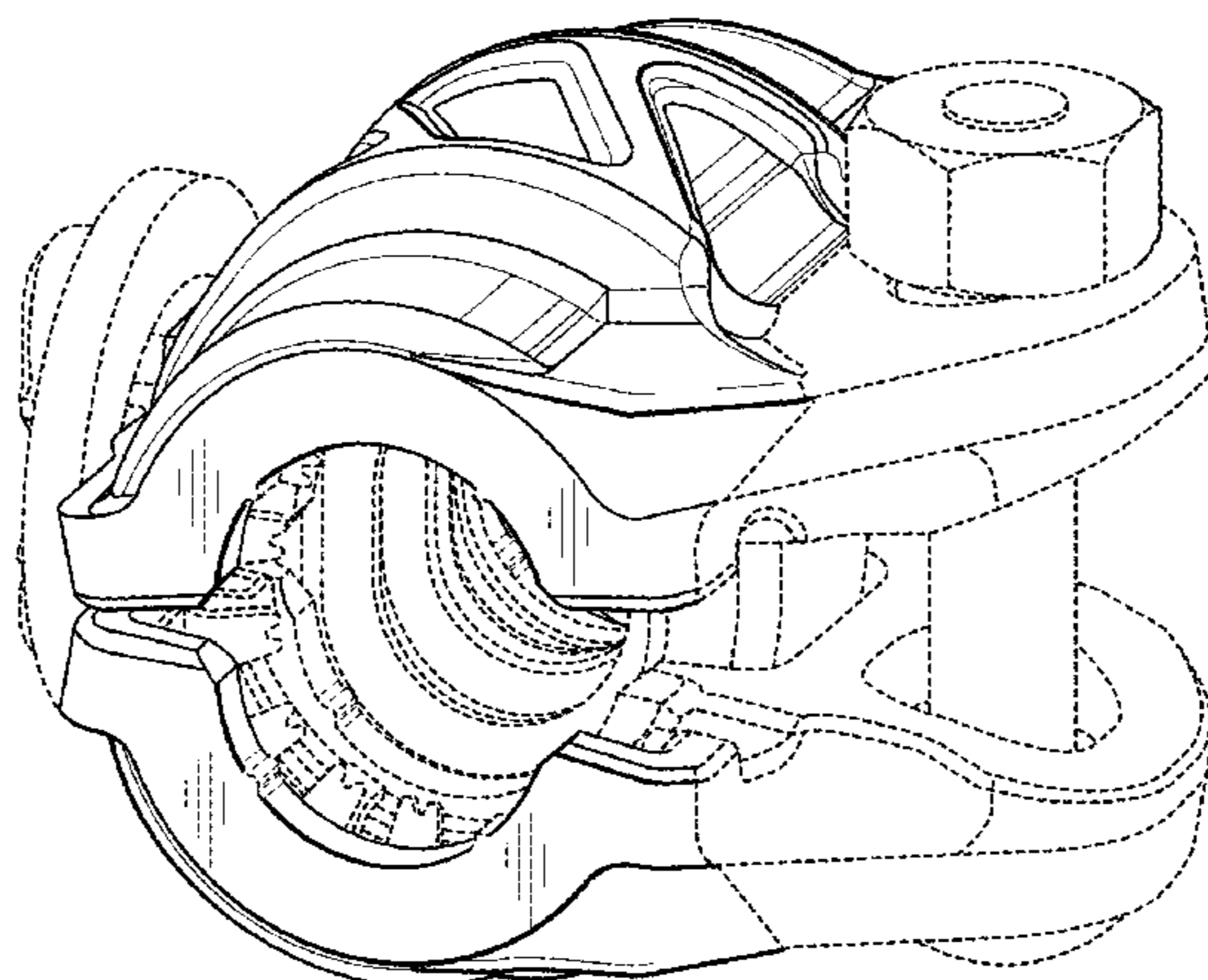
We claim the ornamental design for a hinged coupling, as shown and described.

DESCRIPTION

FIG. 1 is an isometric view of our design for a hinged coupling;
FIG. 2 is a front view thereof;
FIG. 3 is a rear view thereof;
FIG. 4 is a bottom view thereof;
FIG. 5 is a top view thereof; and,
FIG. 6 is a left side rear view thereof with the right side view being a mirror image thereof.
The broken lines depict portions of the hinged coupling that form no part of the claimed design.

1 Claim, 4 Drawing Sheets

(56) **References Cited**
U.S. PATENT DOCUMENTS
D142,057 S * 8/1945 Baxter D23/265
D376,974 S * 12/1996 Chen 24/274 WB
D536,607 S * 2/2007 Bekkevold D8/396
D577,423 S * 9/2008 Dole D23/265
D587,349 S * 2/2009 Madara D23/265
D597,635 S * 8/2009 Dole D23/262
D629,074 S * 12/2010 Shah D23/262
D629,076 S * 12/2010 Madara D23/262
D629,496 S * 12/2010 Madara D23/262
D700,835 S * 3/2014 Langlois D8/396



(56)

References Cited

U.S. PATENT DOCUMENTS

9,631,746 B2 * 4/2017 Beagen, Jr. F16L 17/025
2008/0265568 A1 * 10/2008 Bekkevold F16L 1/26
285/148.6

OTHER PUBLICATIONS

Modgal Metal Quikcoup Grooved system, website date unknown,
<http://www.modgalmetal.com/quikcoup.asp>, [site visited Aug. 1,
2017 10:30:48 PM].*

Shurjoint-Home, coupling product website, copyright 2016, [site
visited Aug. 1, 2017 9:55:09 PM], [http://www.shurjoint.com/eng/
products.aspx?cate1id=5&cate2id=10](http://www.shurjoint.com/eng/products.aspx?cate1id=5&cate2id=10).*

* cited by examiner

FIG. 1

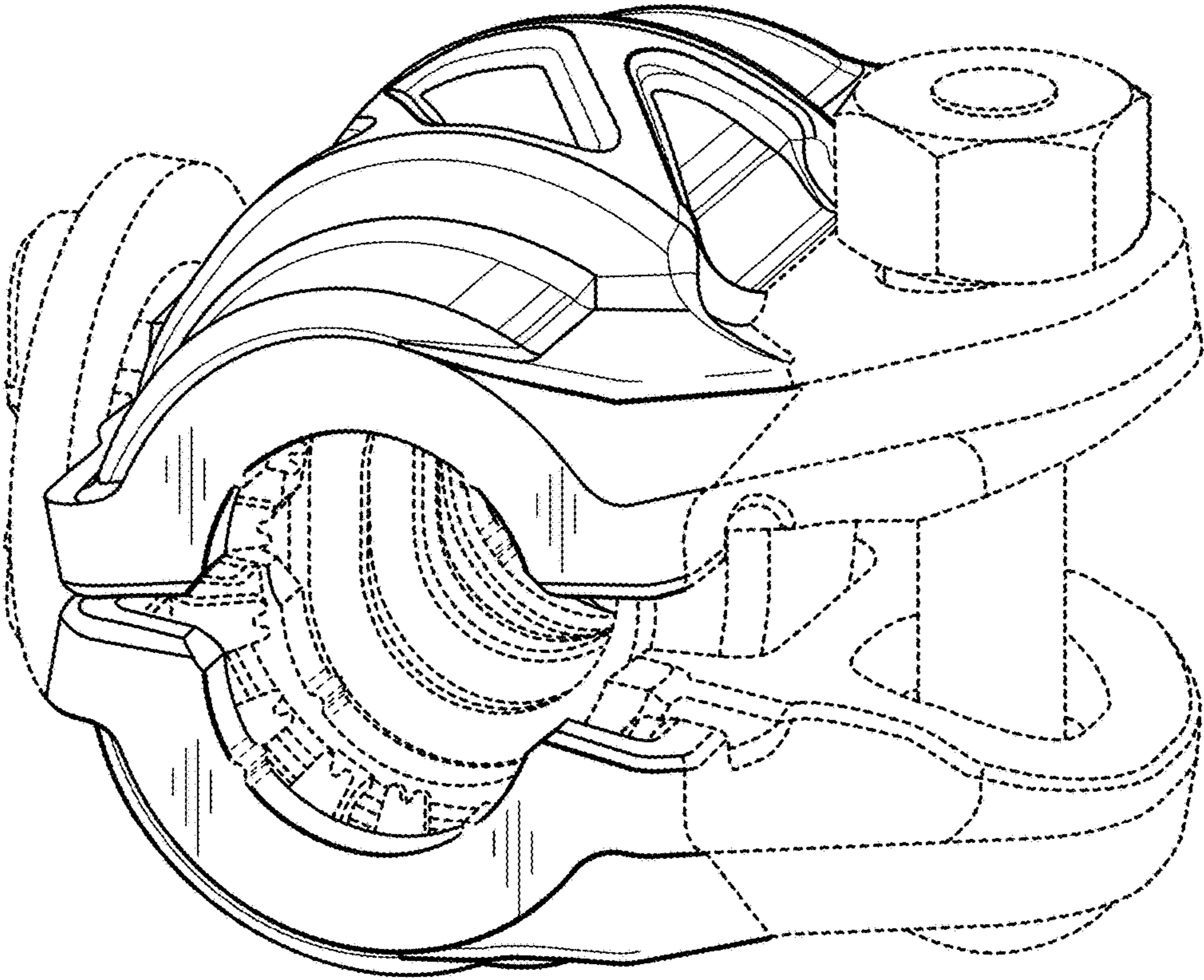


FIG. 2

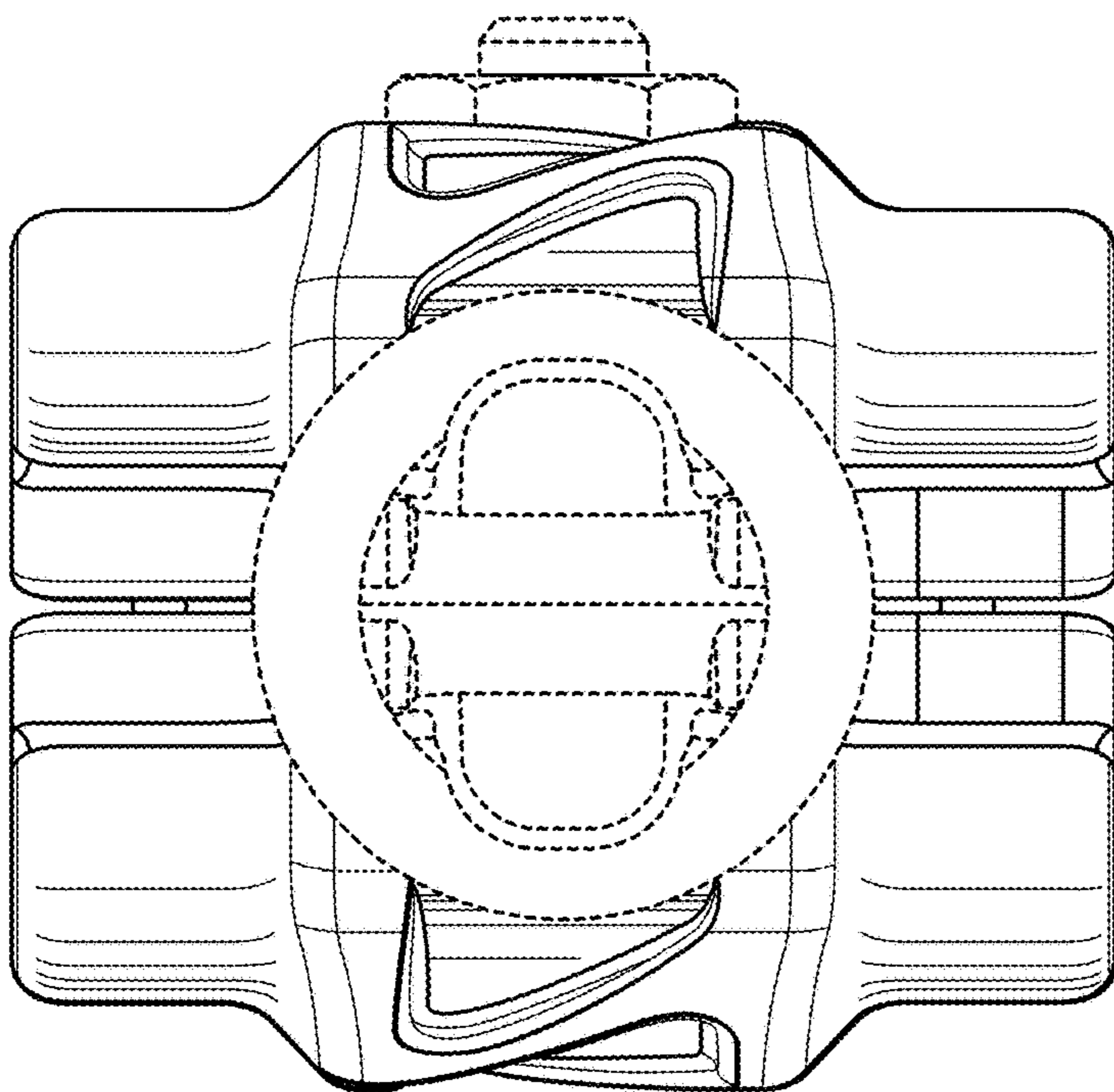
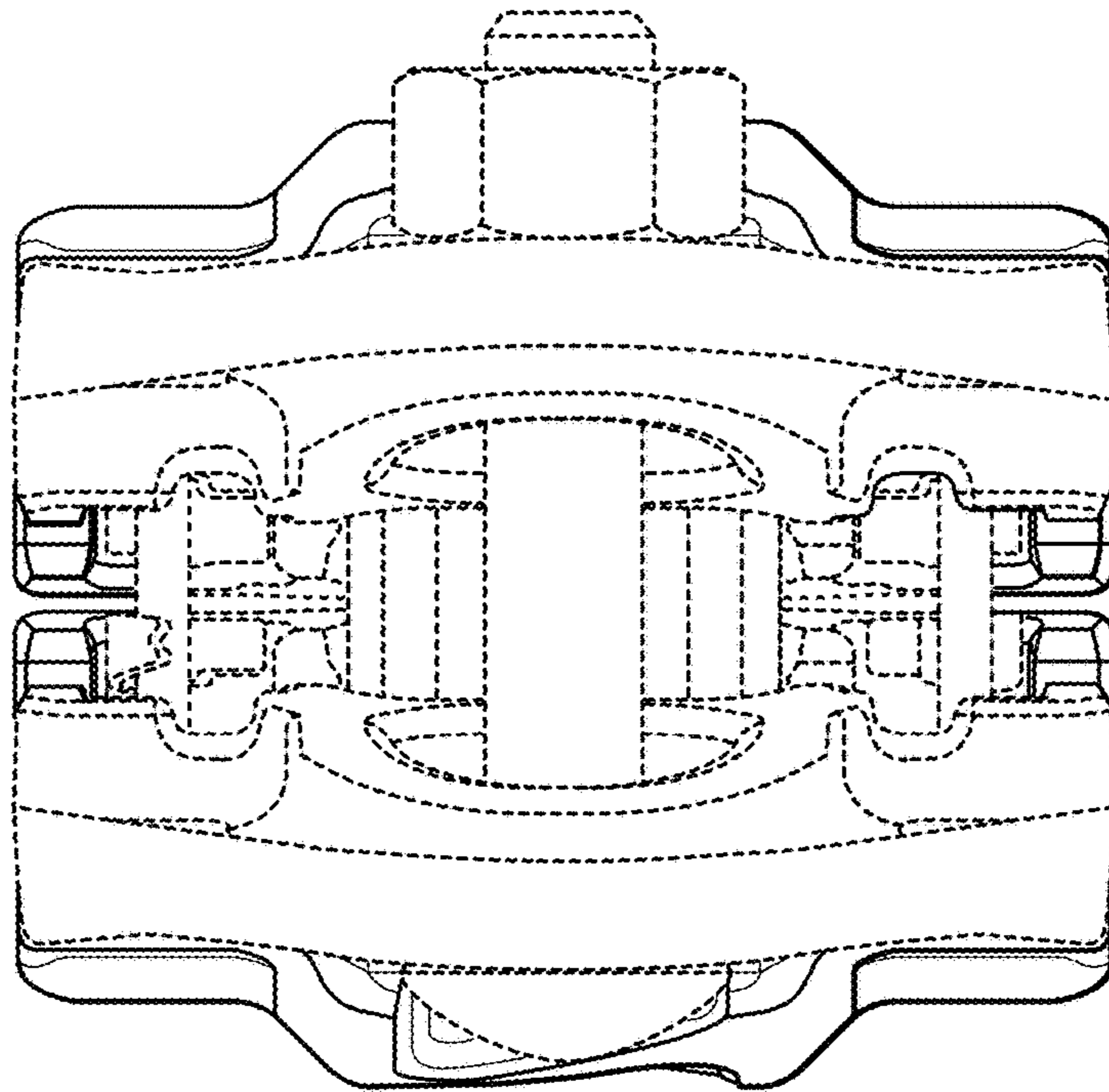


FIG. 3

FIG. 4

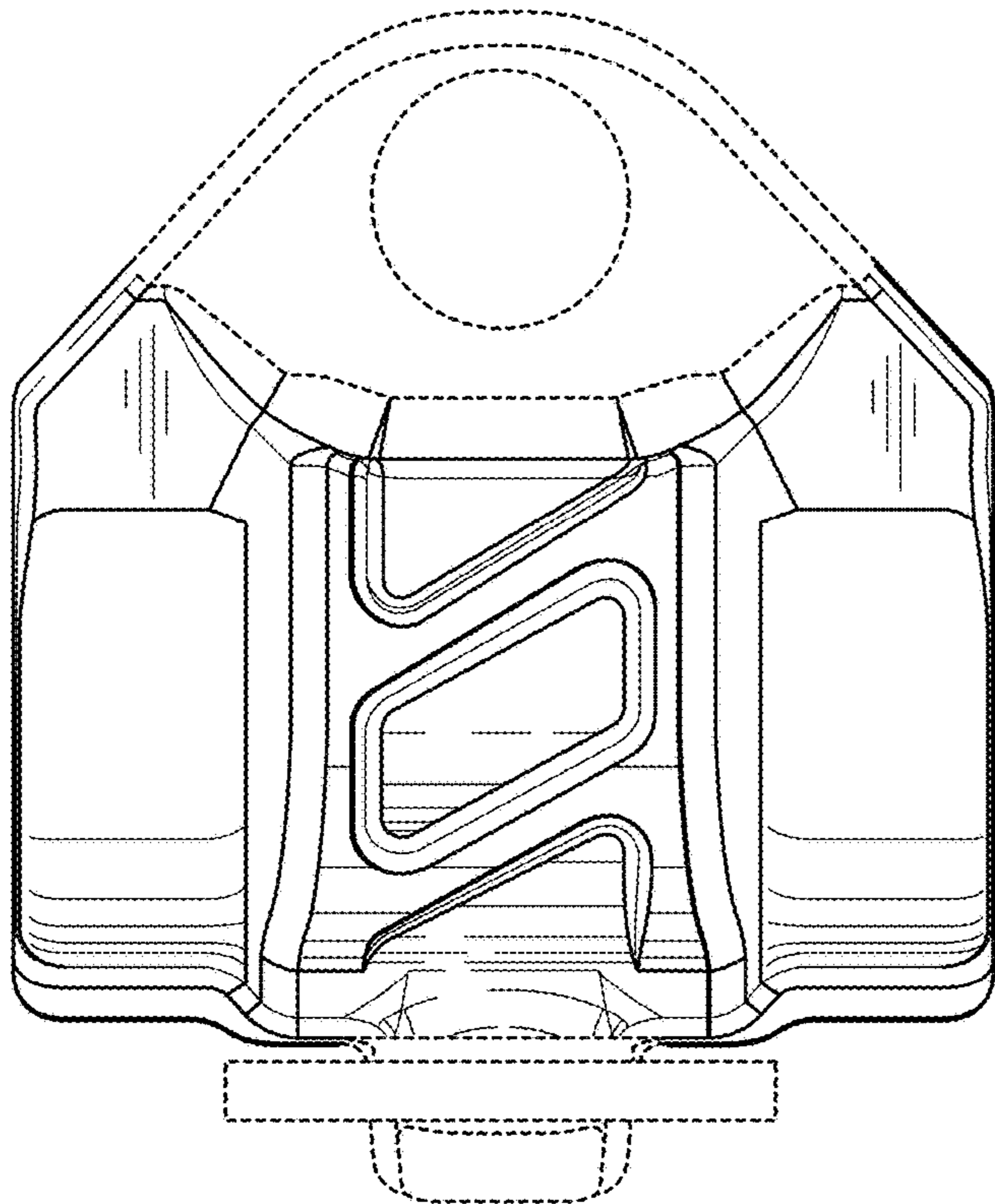
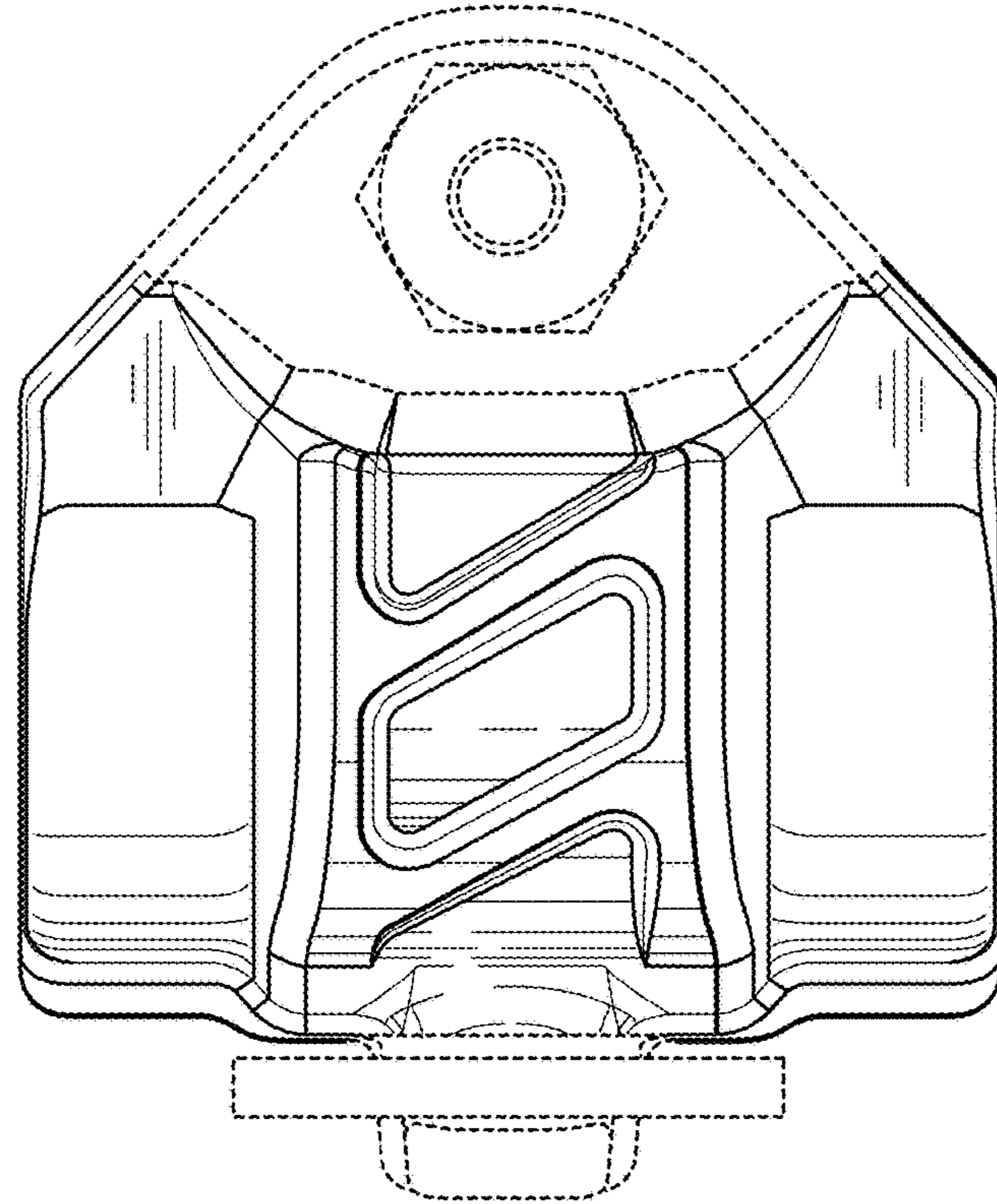


FIG. 5

FIG. 6

