



US00D813655S

(12) **United States Design Patent**
Kremer et al.

(10) **Patent No.:** **US D813,655 S**
(45) **Date of Patent:** **** Mar. 27, 2018**

(54) **MAGNETIC WALL HANGING HOOK**

(71) Applicant: **HANG EM UP INC.**, Mackay, ID (US)

(72) Inventors: **Tyrell J. Kremer**, Wilton, CA (US);
Jason C. Lindstrom, Reno, NV (US);
Richard A. Seifert, Livermore, CA (US);
Nathan R Seifert, Livermore, CA (US)

(73) Assignee: **Hang Em up Inc.**, Mackay

(**) Term: **15 Years**

(21) Appl. No.: **29/561,532**

(22) Filed: **Apr. 17, 2016**

(51) **LOC (11) Cl.** **08-05**

(52) **U.S. Cl.**
USPC **D8/373**

(58) **Field of Classification Search**
USPC D8/355, 363, 366, 367, 371, 372, 373;
D6/323, 324, 327, 328, 524, 526, 531,
D6/534, 538, 553
CPC F16B 2001/003502
See application file for complete search history.

(56) **References Cited**

U.S. PATENT DOCUMENTS

D502,865 S * 3/2005 Anderson D8/372
D516,413 S * 3/2006 Anderson D8/373
D522,843 S * 6/2006 Richter D8/363
D553,958 S * 10/2007 Brassard D8/363
D553,959 S * 10/2007 Brassard D8/363

D670,157 S * 11/2012 Mo D8/363
D671,820 S * 12/2012 Henderson D8/373
D756,753 S * 5/2016 Kawaguchi D8/367
2016/0369944 A1* 12/2016 Kremer F16M 13/022

* cited by examiner

Primary Examiner — Robert M. Spear

Assistant Examiner — Eliza Z Bennett-Hattan

(74) *Attorney, Agent, or Firm* — Geeta Kadambi; Riddhi IP LLC

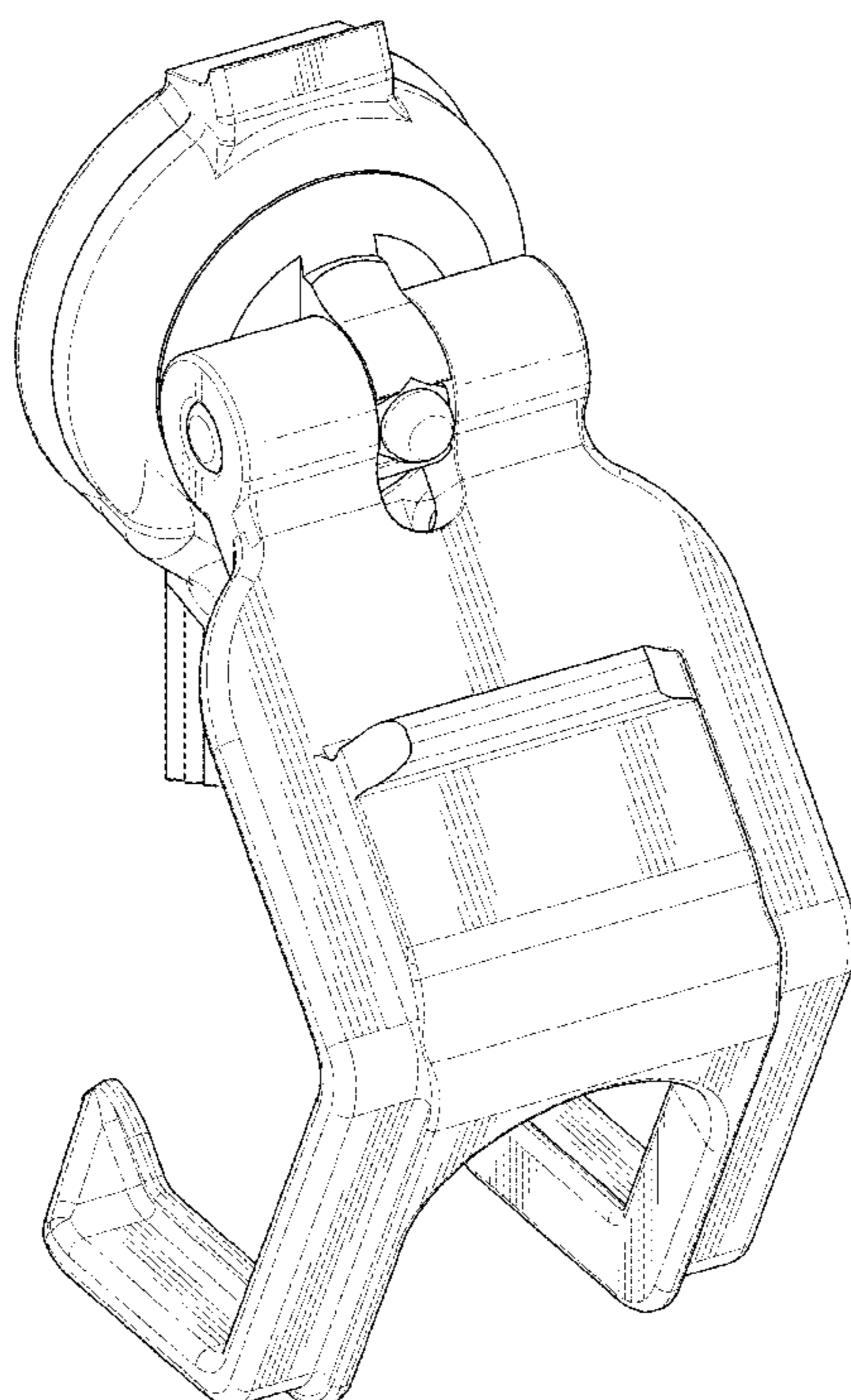
(57) **CLAIM**

The ornamental design for “magnetic wall hanging hook,” as shown and described.

DESCRIPTION

FIG. 1 is a top view of the magnetic wall hanging hook. FIG. 2 is a first perspective view of the magnetic wall hanging hook. FIG. 3 is a bottom-up view of the magnetic wall hanging hook. FIG. 4 is a top-down view of the magnetic wall hanging hook. FIG. 5 is a right side view of the magnetic wall hanging hook. FIG. 6 is a left side view of the magnetic wall hanging hook. FIG. 7 is a second perspective view of the magnetic wall hanging hook; and, FIG. 8 is a third perspective view of the magnetic wall hanging hook. The broken lines in the drawing depict environmental subject matter only and form no part of the claimed design.

1 Claim, 8 Drawing Sheets



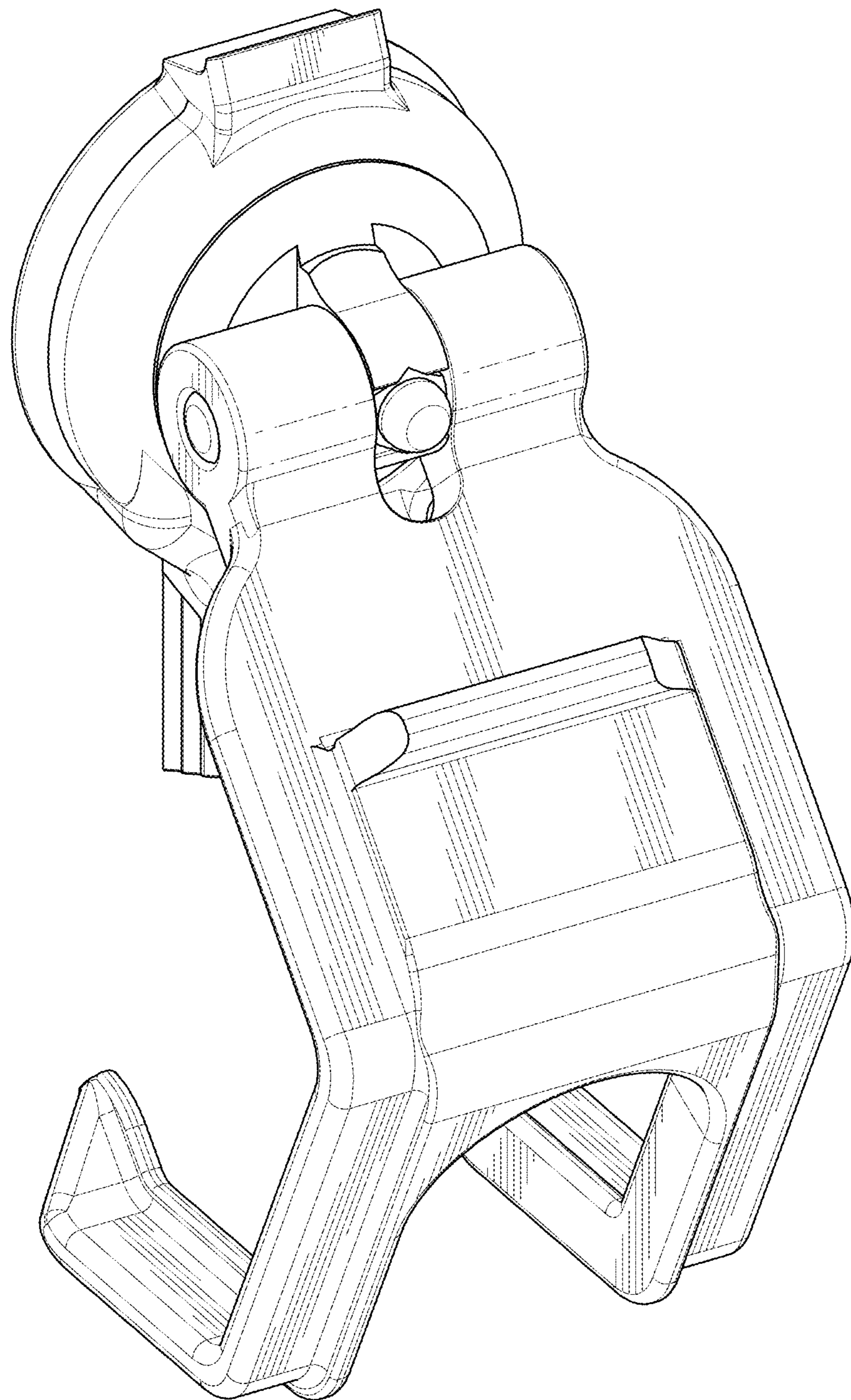


FIG. 1

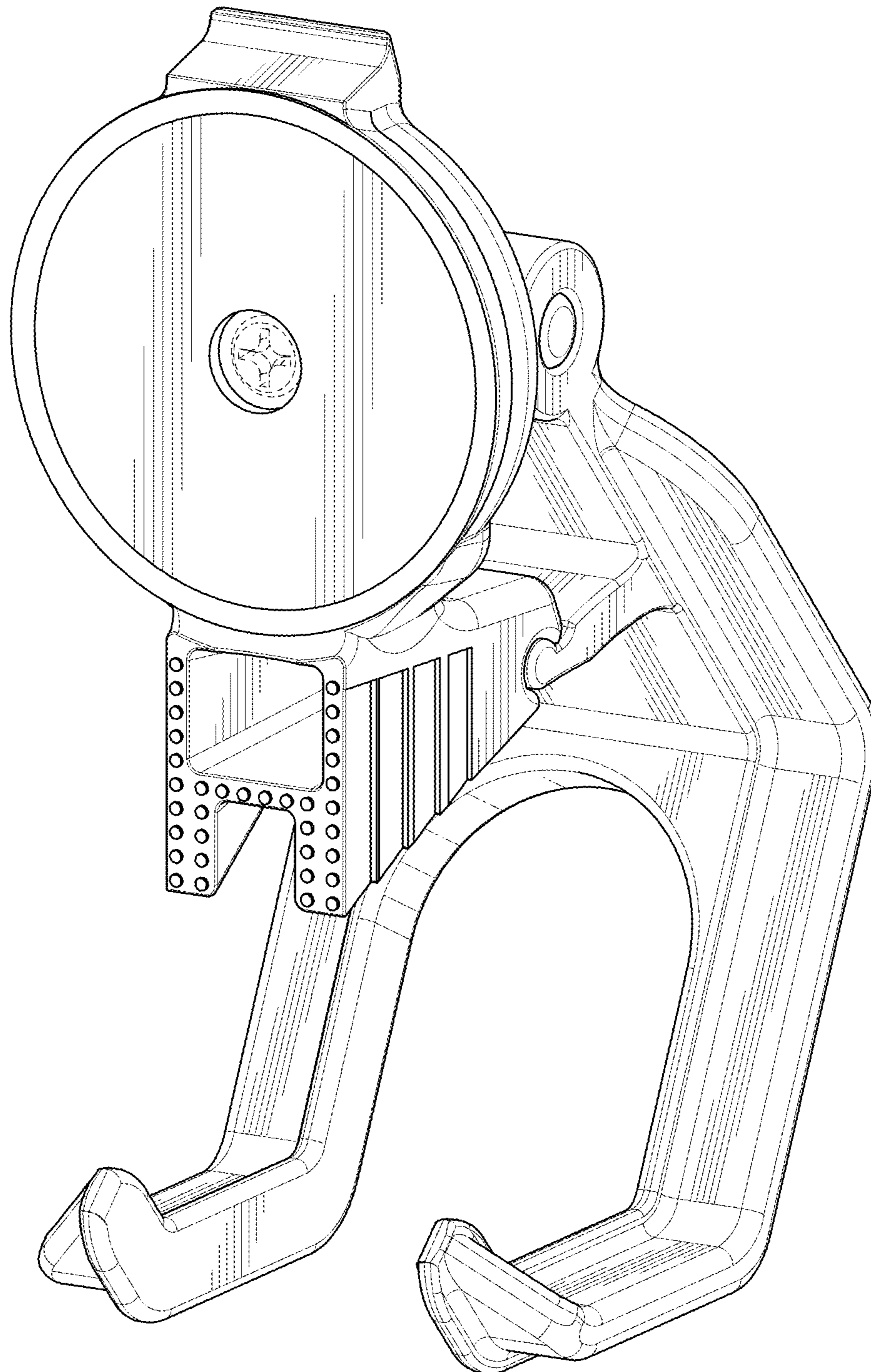


FIG. 2

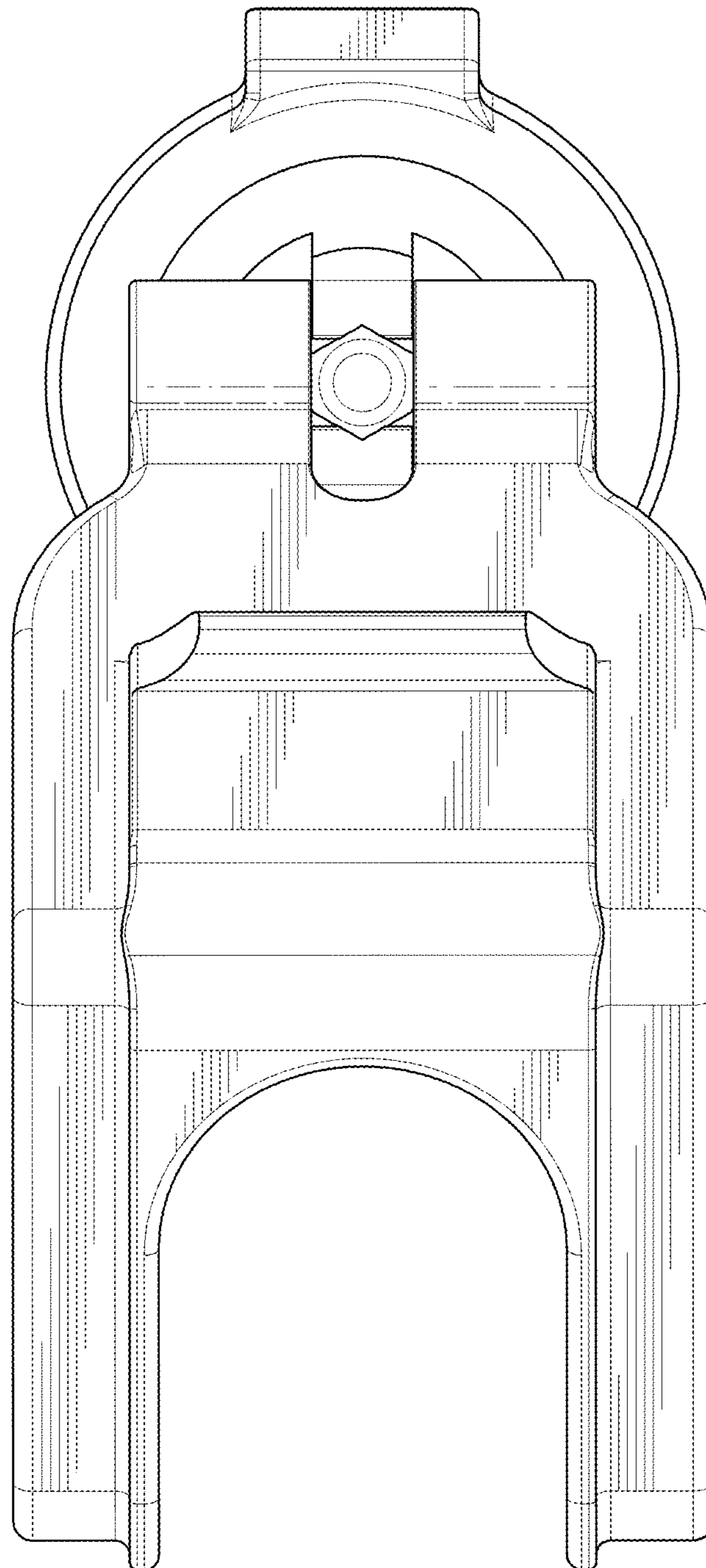


FIG. 3

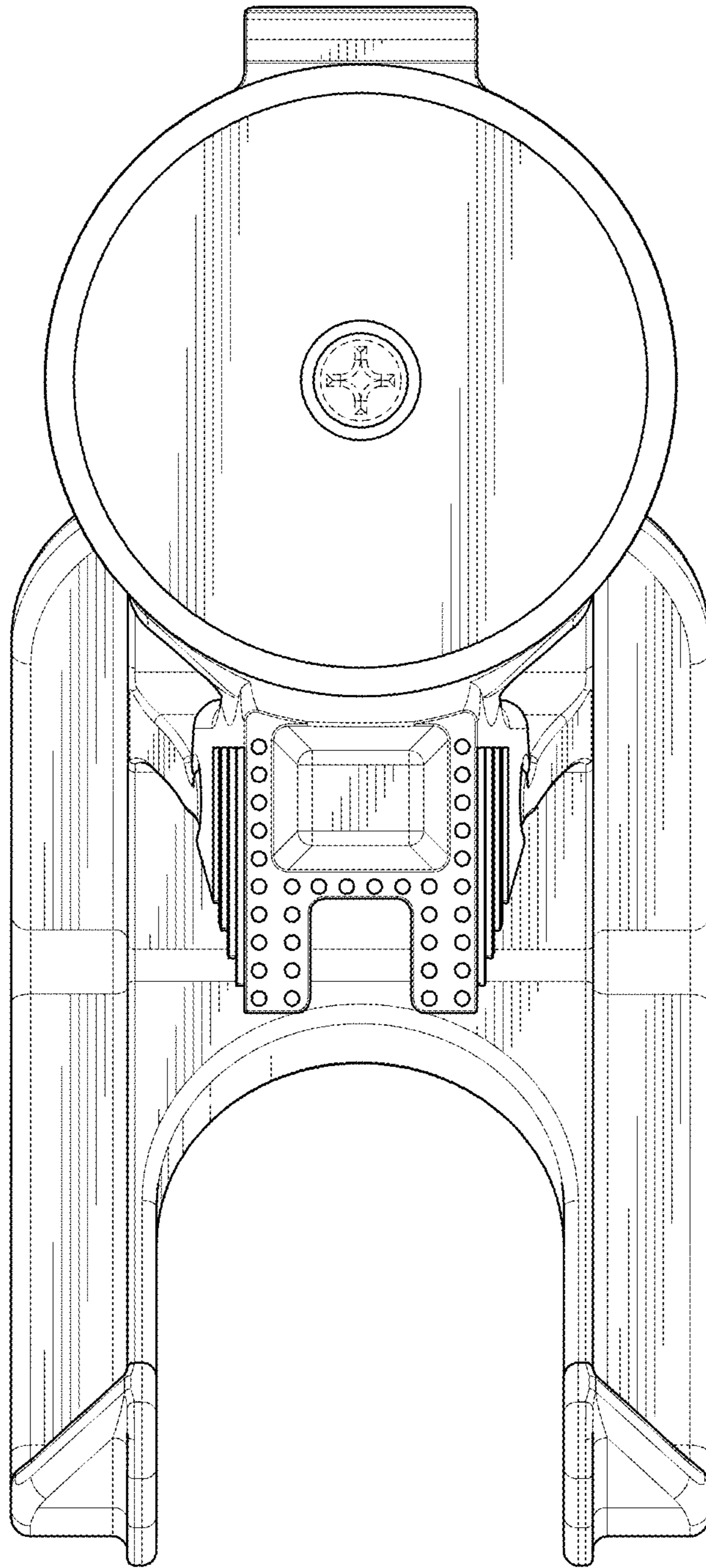


FIG. 4

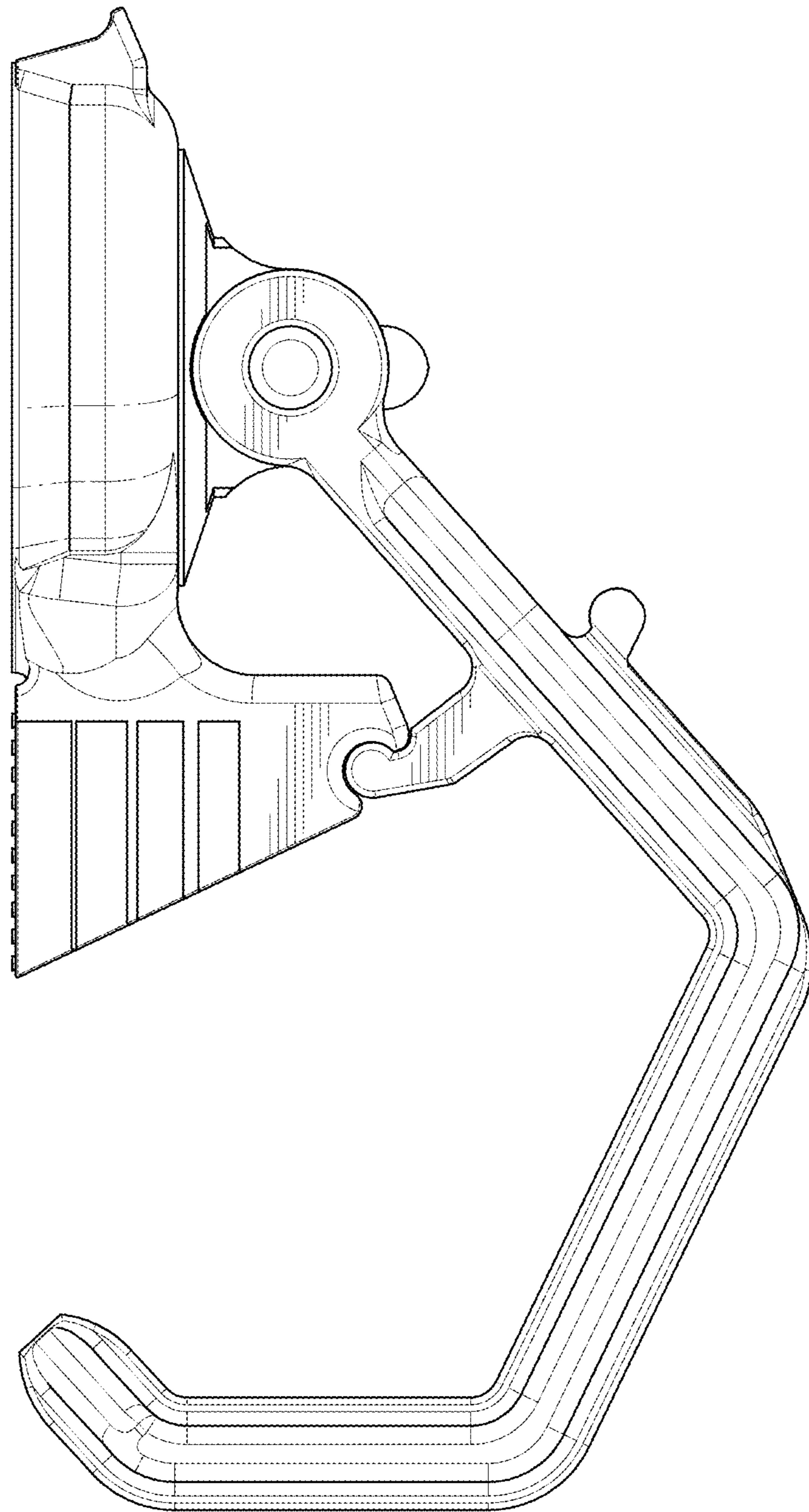


FIG. 5

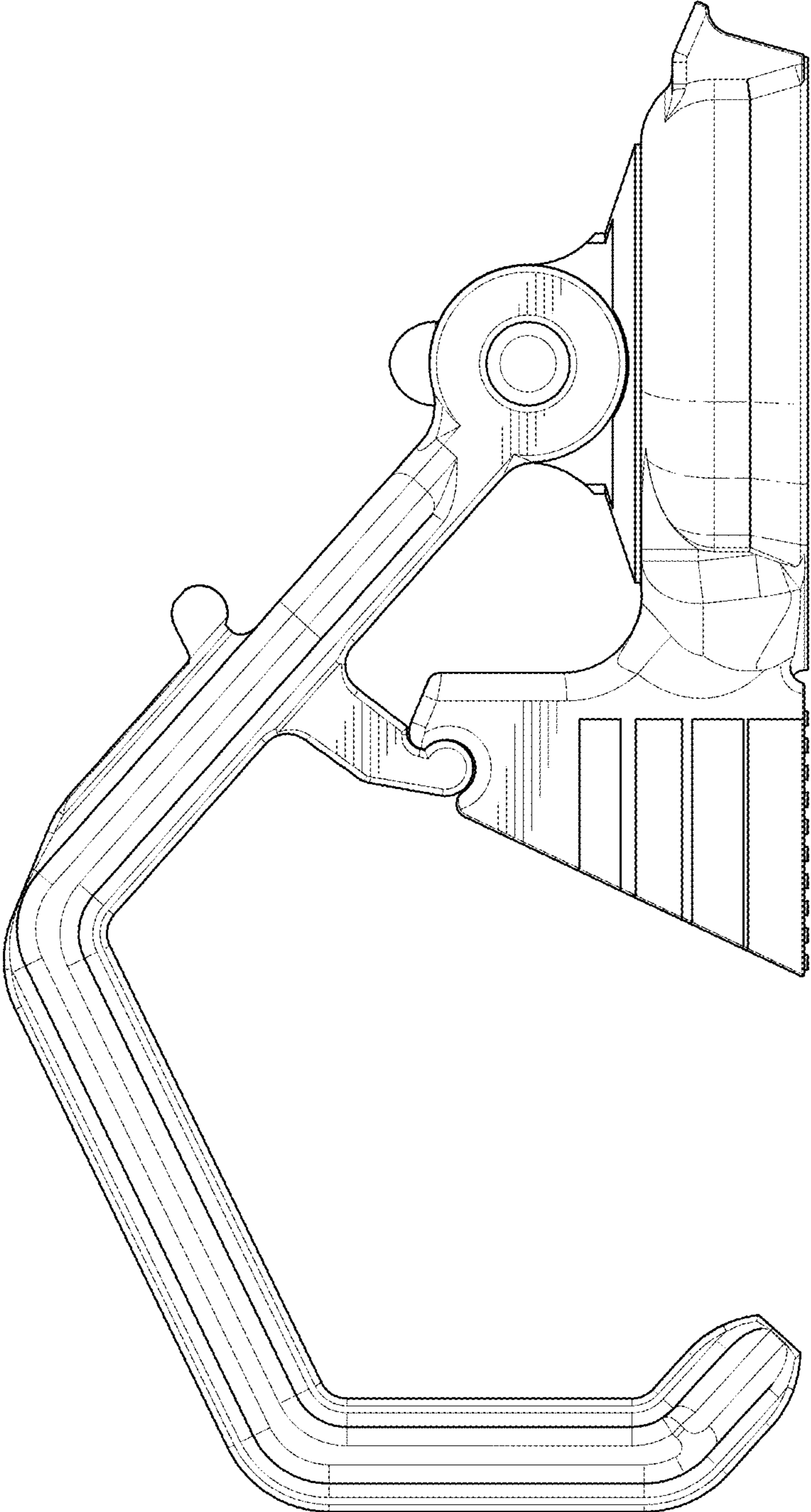


FIG. 6

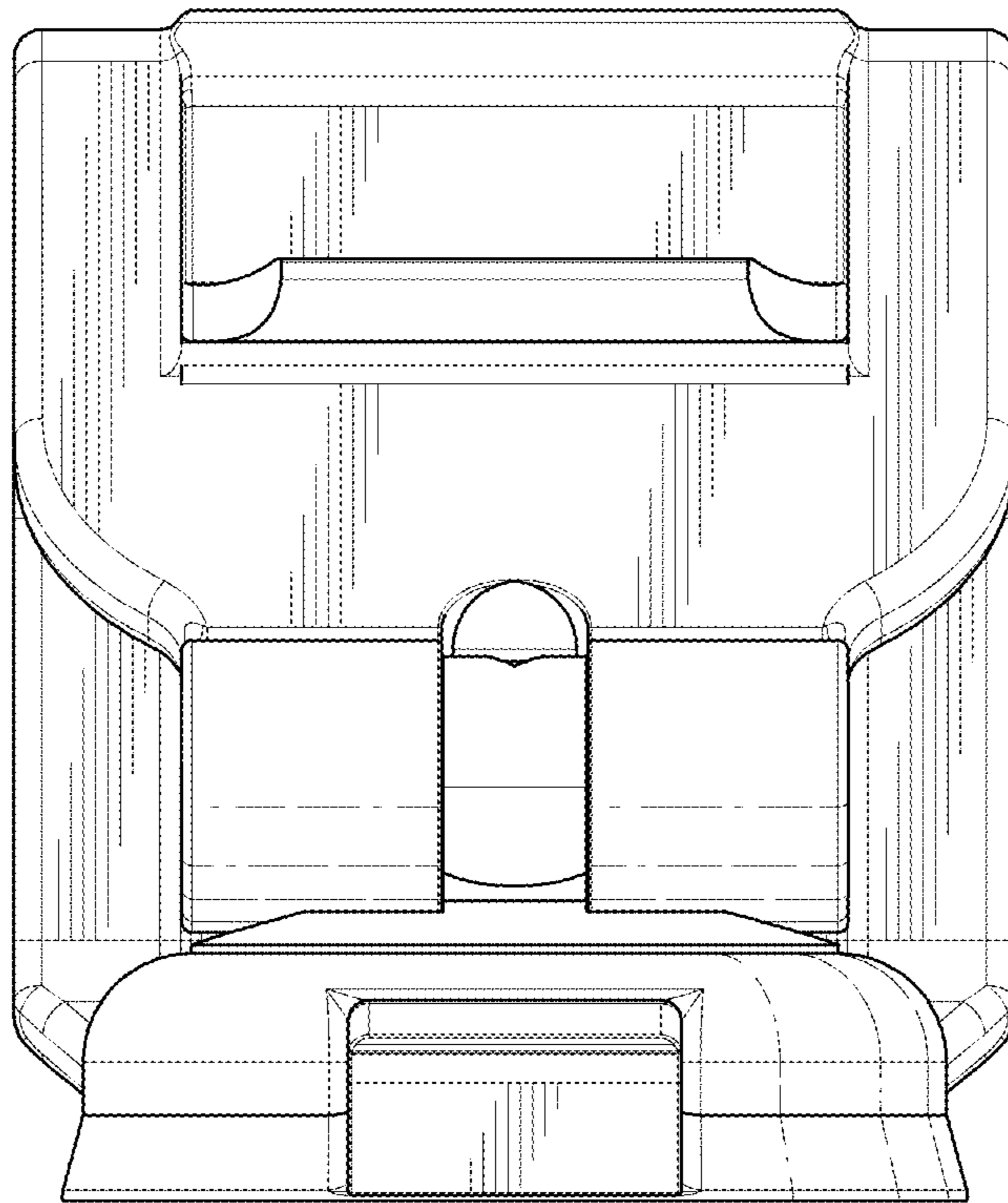


FIG. 7

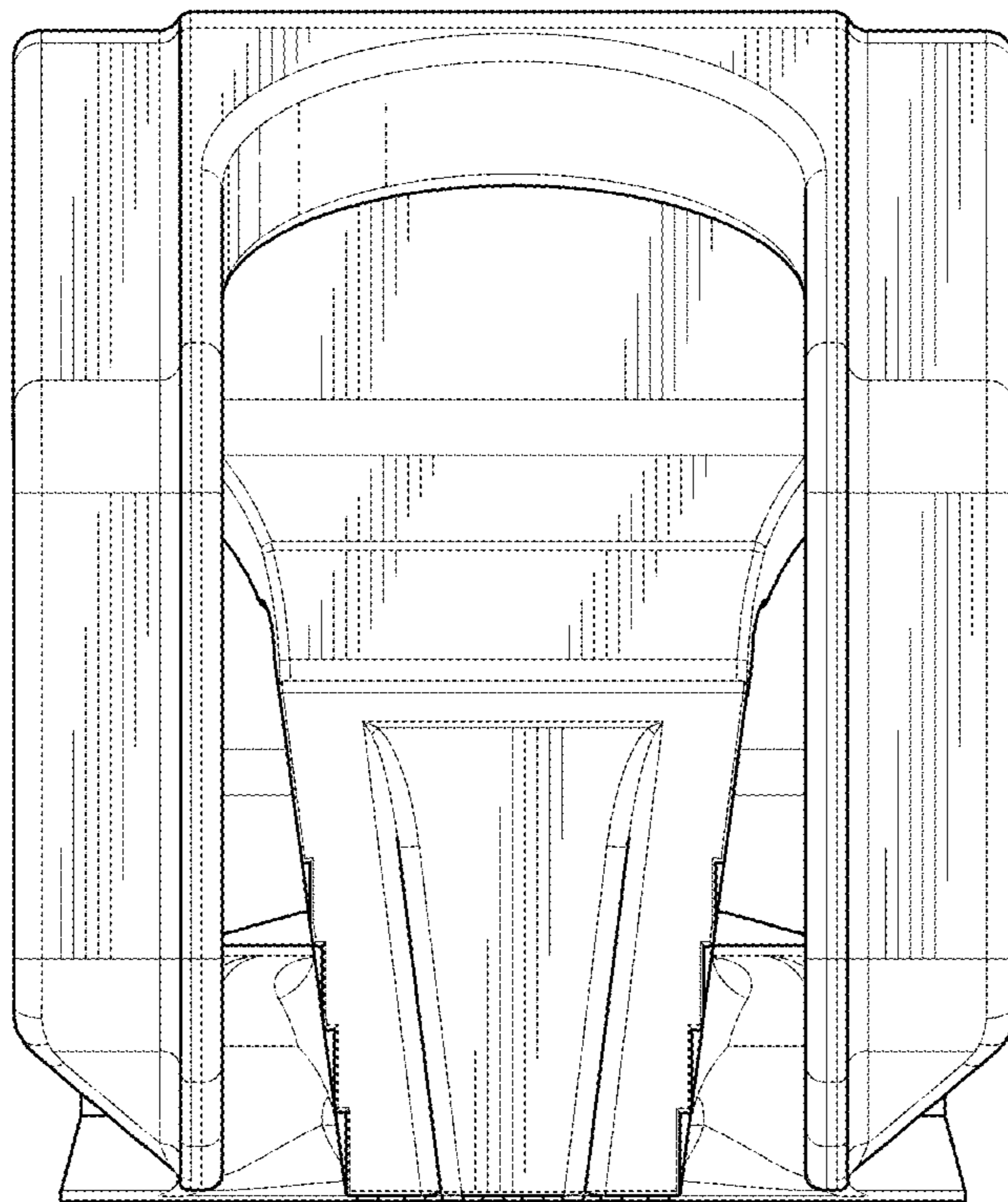


FIG. 8