



US00D813653S

(12) **United States Design Patent**
Gubbins

(10) **Patent No.:** **US D813,653 S**
(45) **Date of Patent:** **** Mar. 27, 2018**

(54) **CABLE DRUM**
(71) Applicant: **Nexus Industries Limited**, Shropshire (GB)
(72) Inventor: **Stephen Gubbins**, Shropshire (GB)
(73) Assignee: **NEXUS INDUSTRIES LIMITED**, Telford (GB)
(**) Term: **15 Years**
(21) Appl. No.: **29/567,479**
(22) Filed: **Jun. 9, 2016**

D565,936 S * 4/2008 Spadotto B65H 75/4471 D8/356
D582,759 S * 12/2008 Anderson D8/359
D666,475 S * 9/2012 Gaiti D8/358
D737,669 S * 9/2015 Anderson D8/359
2004/0046078 A1* 3/2004 Moon B65H 75/40 242/390.8

* cited by examiner

Primary Examiner — Robert M. Spear
Assistant Examiner — Eliza Bennett-Hattan
(74) *Attorney, Agent, or Firm* — Levenfeld Pearlstein, LLC

(30) **Foreign Application Priority Data**
Feb. 5, 2016 (EM) 002974691-0001
(51) **LOC (11) Cl.** **08-05**
(52) **U.S. Cl.**
USPC **D8/358**
(58) **Field of Classification Search**
USPC D8/16, 19, 66, 356, 383, 357, 358, 359, D8/349; D25/134, 43, 39, 38.1, 48.3
CPC B65H 2701/33; B65H 75/4471; B65H 75/4478; B65H 75/40; B65H 75/38; B65H 75/4402; B65H 2402/412; B65H 75/4494; B65H 54/585; B65H 75/265; Y10T 137/6954; Y10T 137/6929; Y10T 403/32975
See application file for complete search history.

(57) **CLAIM**

The ornamental design for cable drum, as shown and described.

DESCRIPTION

FIG. 1 is a front, right hand side perspective view of a cable drum embodying my new design;
FIG. 2 is a front view thereof;
FIG. 3 is a rear view thereof;
FIG. 4 is a side view thereof as seen from the right hand side of FIG. 2;
FIG. 5 is a side view thereof as seen from the left hand side of FIG. 2;
FIG. 6 is a top view thereof;
FIG. 7 is a bottom view thereof;
FIG. 8 is a rear, left hand side perspective view thereof; and,
FIG. 9 is a front, top, right hand side perspective view thereof.

The broken lines in the drawing depict environmental subject matter only and form no part of the claimed design.

(56) **References Cited**
U.S. PATENT DOCUMENTS
D277,261 S * 1/1985 King D8/358
D389,727 S * 1/1998 Austin D8/358

1 Claim, 9 Drawing Sheets

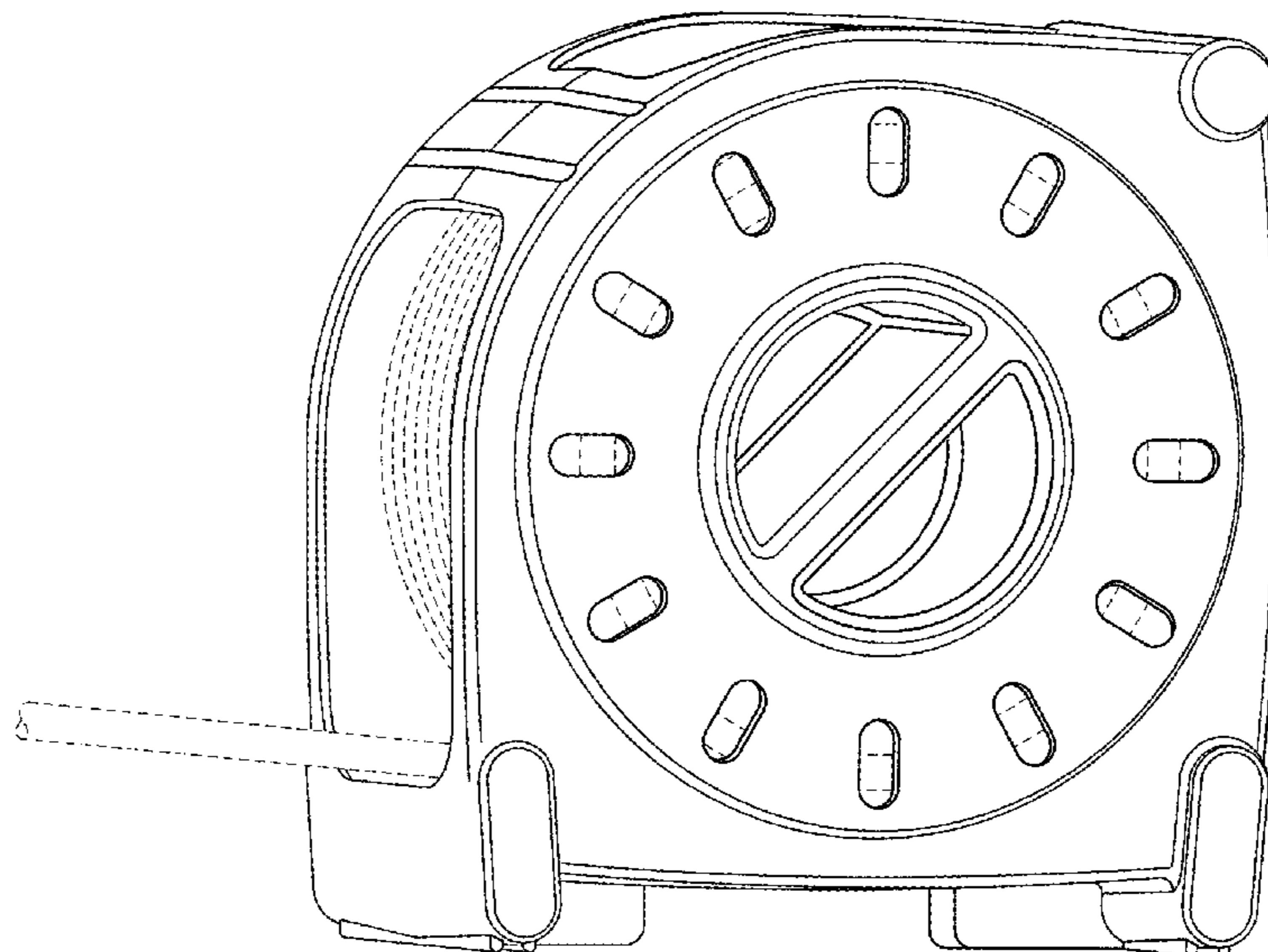


Fig. 1

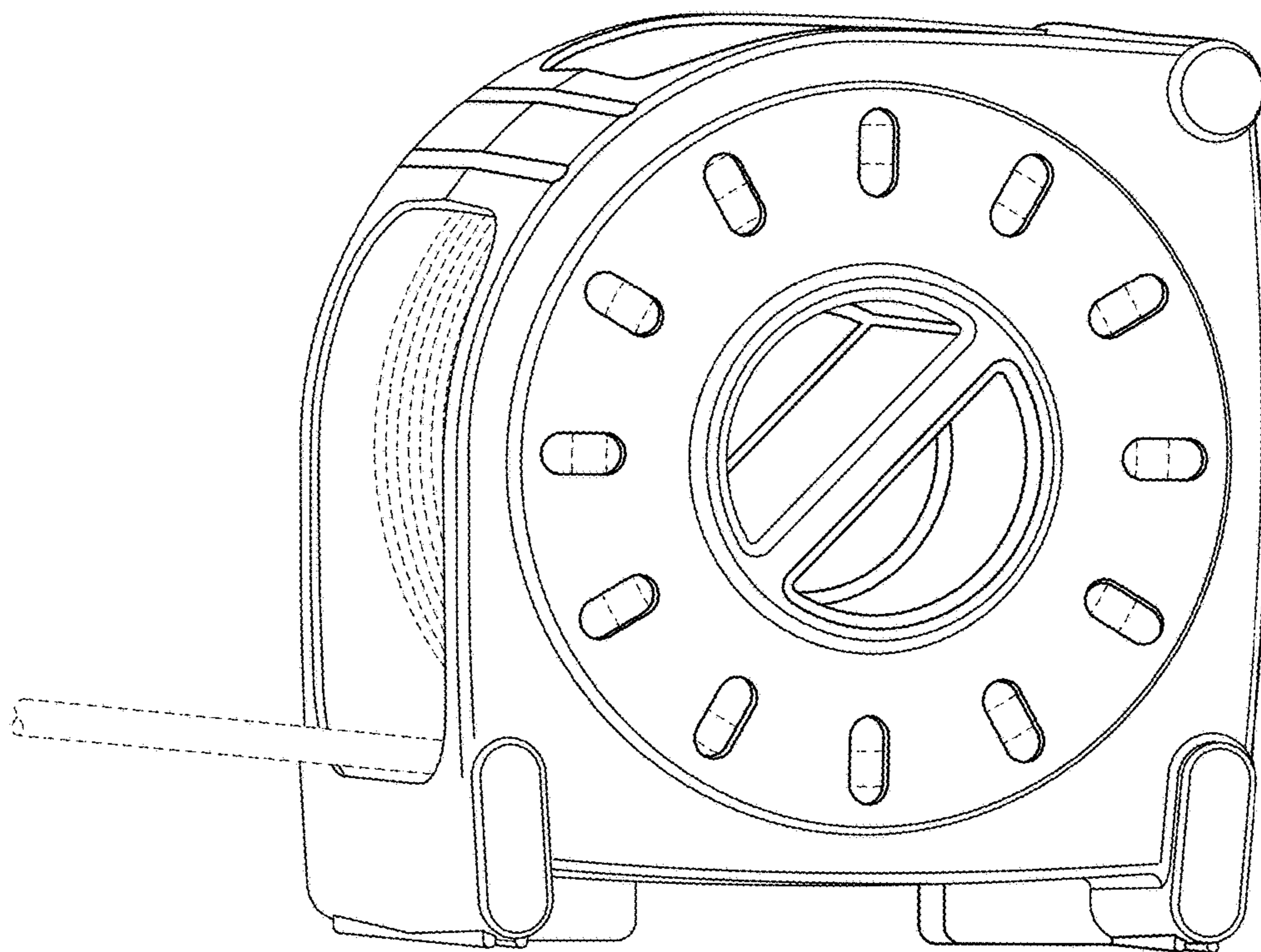


Fig. 2

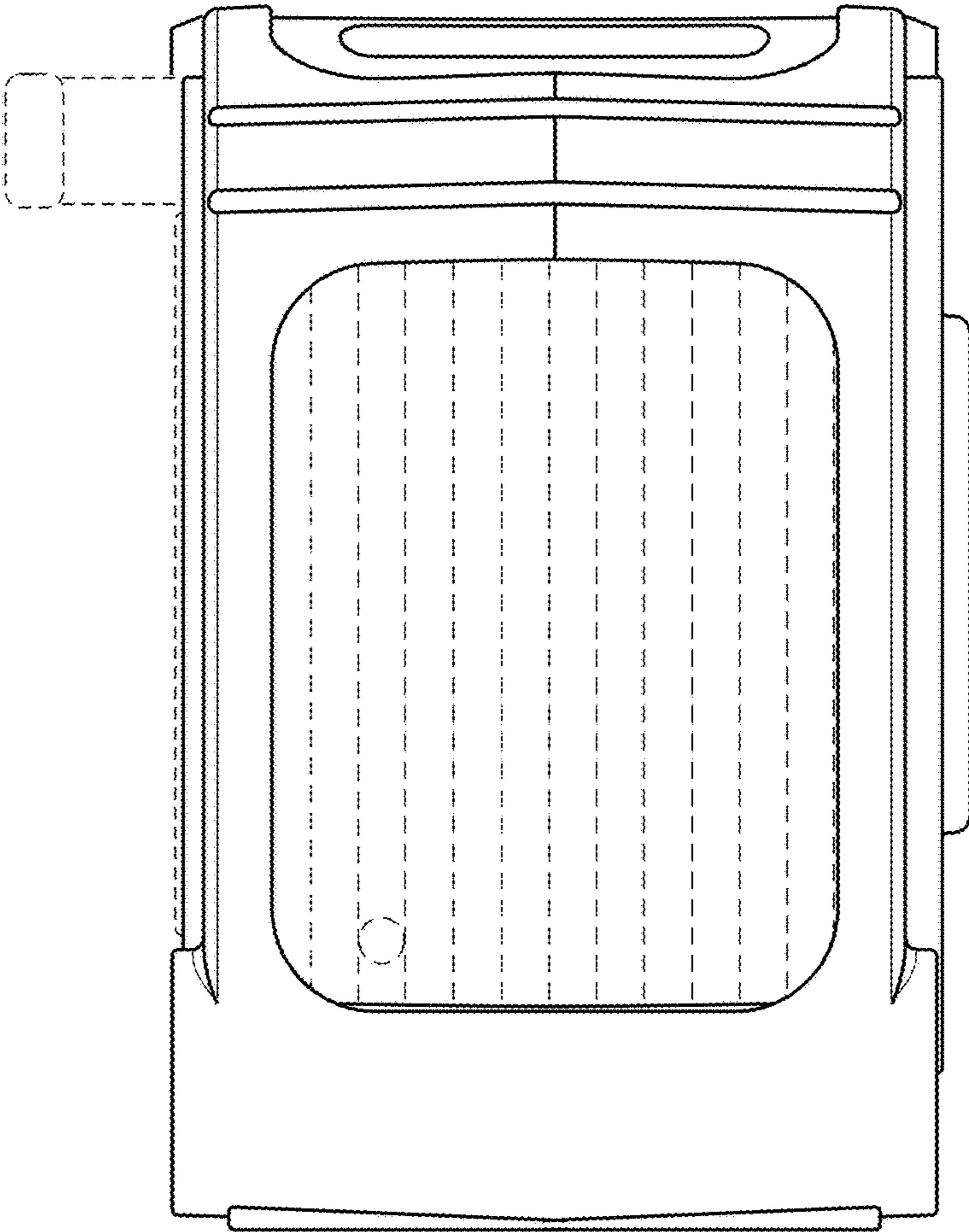


Fig. 3

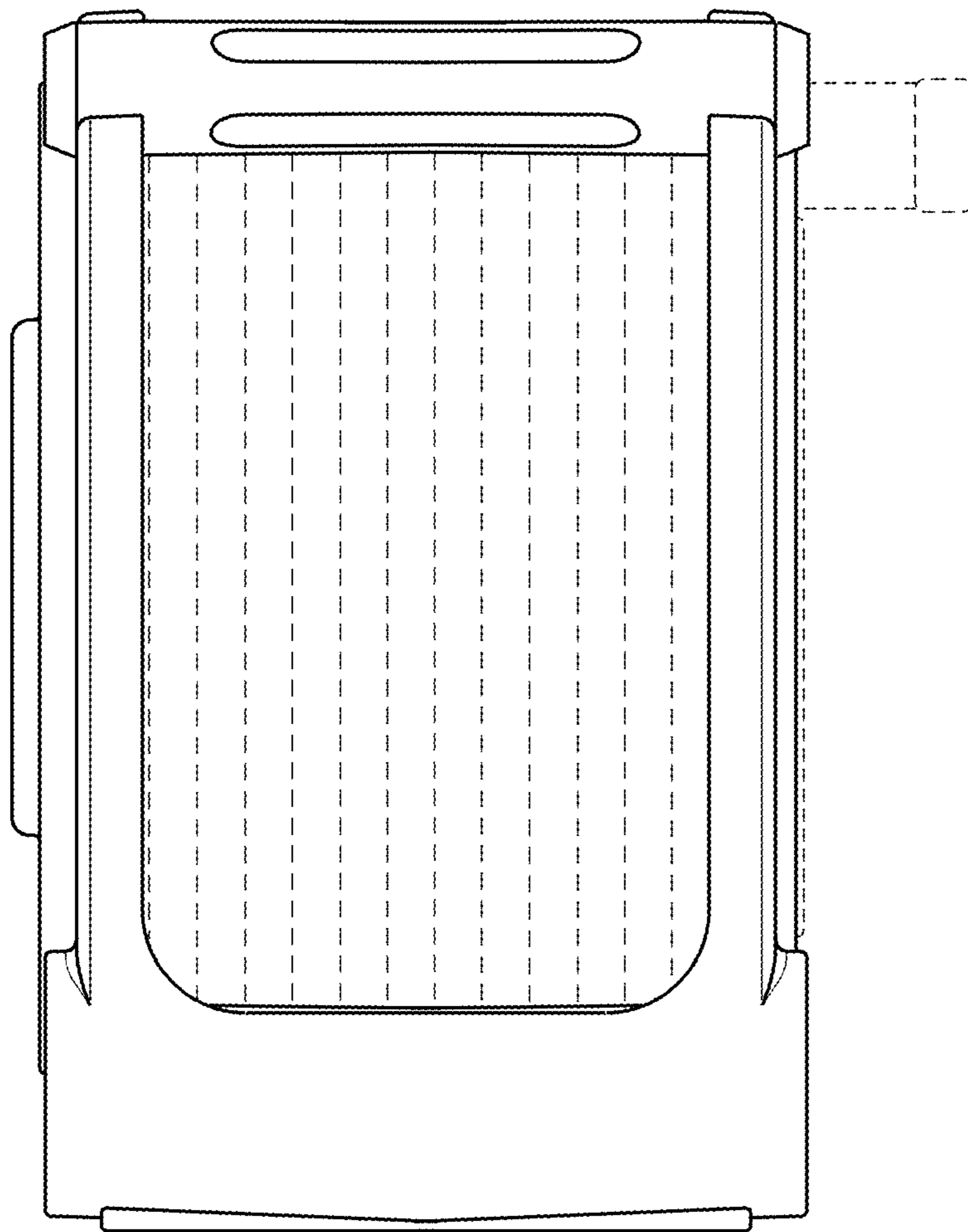


Fig. 4

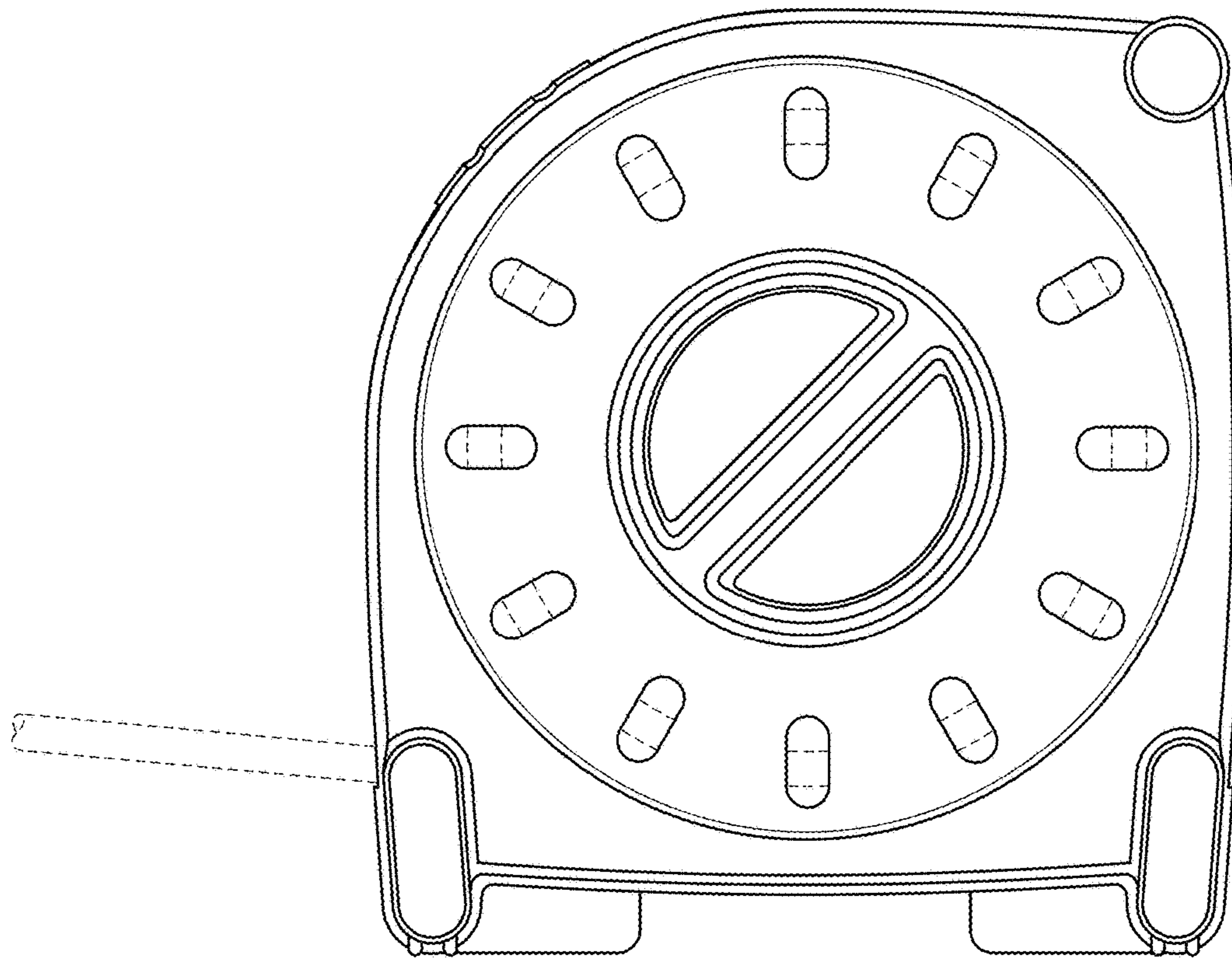


Fig. 5

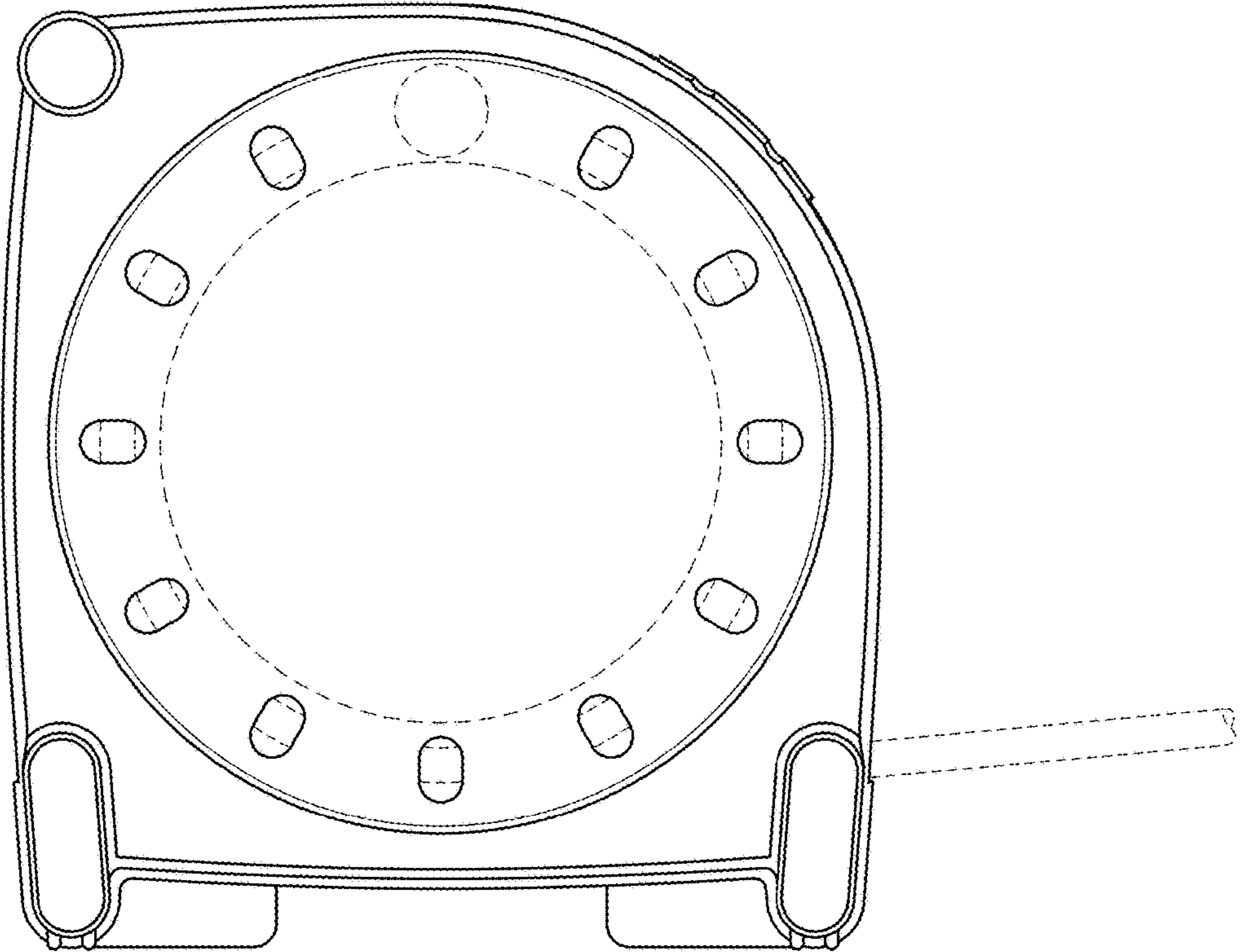


Fig. 6

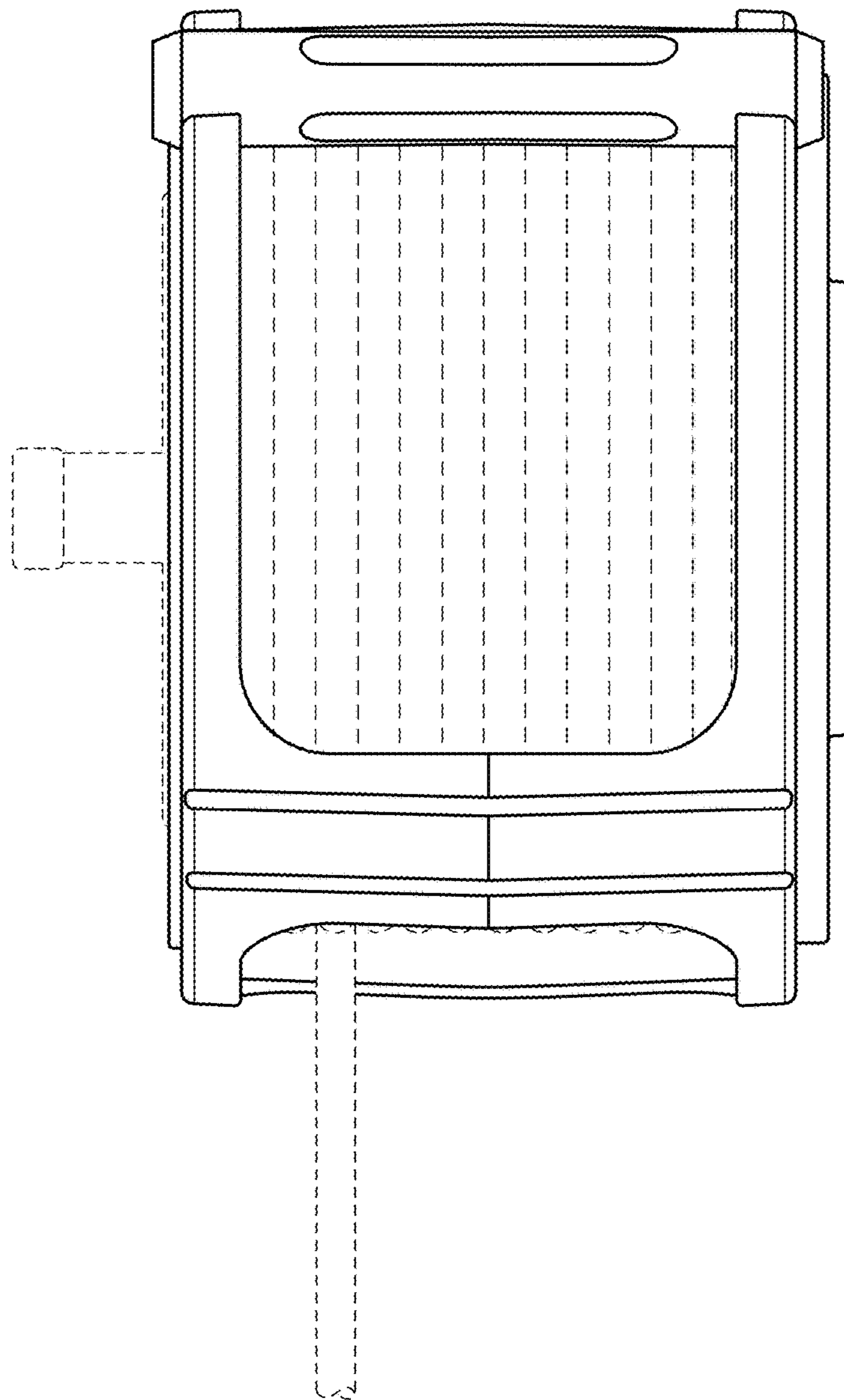


Fig. 7

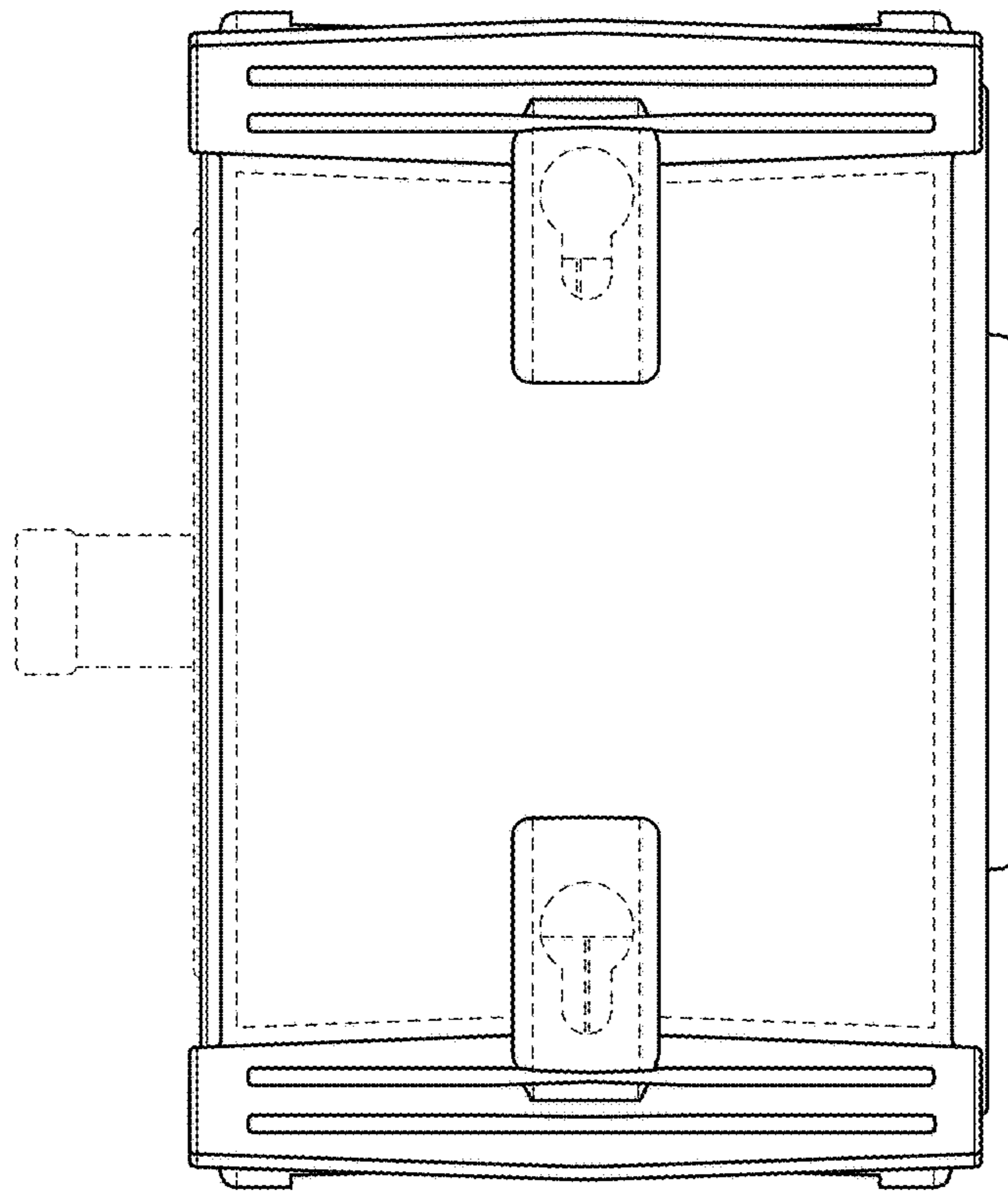


Fig. 8

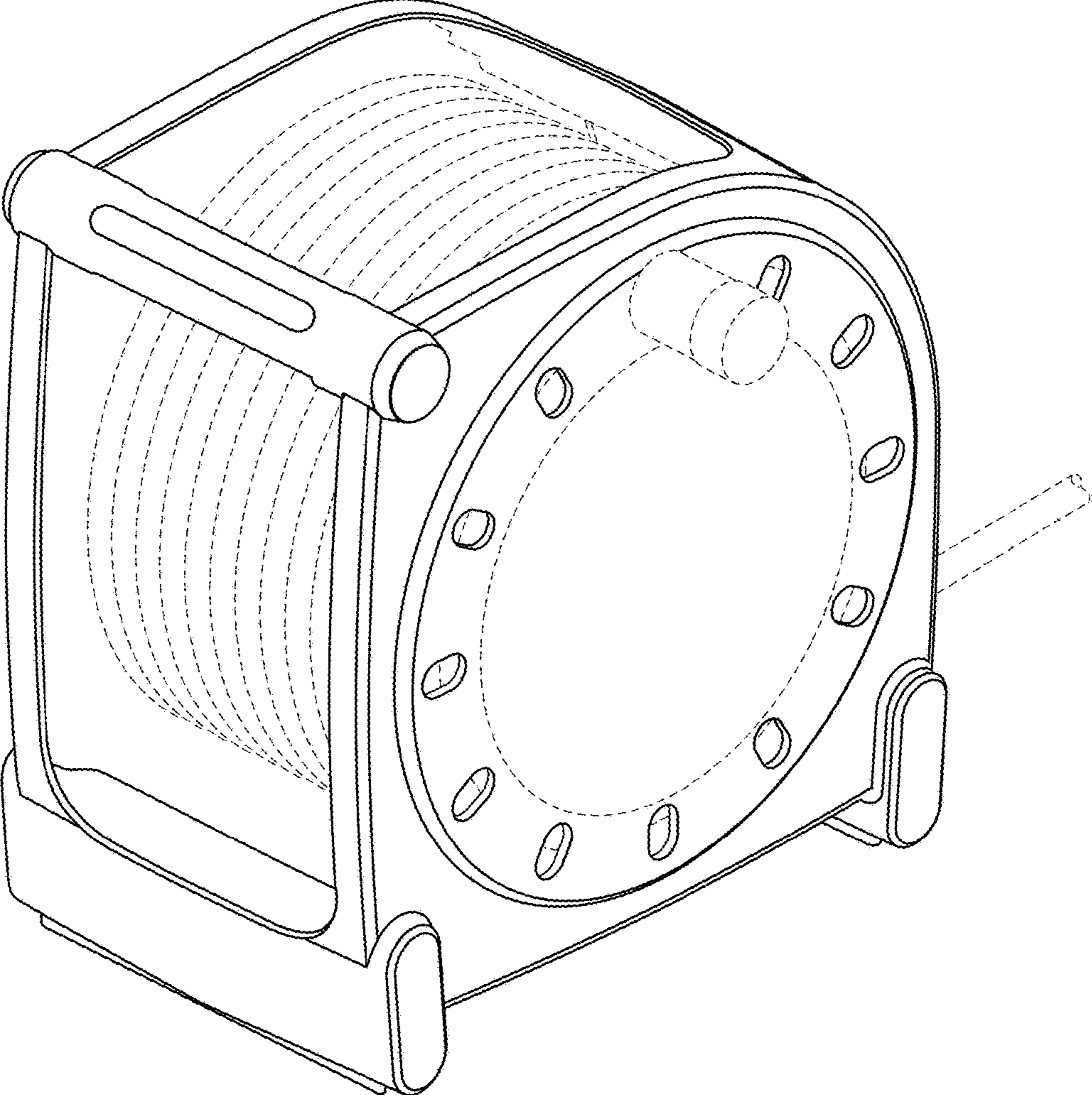


Fig. 9

