



US00D813650S

(12) **United States Design Patent**
Southard

(10) **Patent No.:** **US D813,650 S**
(45) **Date of Patent:** **** Mar. 27, 2018**

(54) **HOSE STAND WITH DECORATIVE SHELF
AND SPOUT SUPPORT**

(71) Applicant: **Liberty Garden Products, Inc.,**
Kernersville, NC (US)

(72) Inventor: **Kent Southard,** Kernersville, NC (US)

(73) Assignee: **Liberty Garden Products, Inc.,**
Kernersville, NC (US)

(**) Term: **15 Years**

(21) Appl. No.: **29/565,155**

(22) Filed: **May 18, 2016**

(51) **LOC (11) Cl.** **09-06**

(52) **U.S. Cl.**
USPC **D8/356**

(58) **Field of Classification Search**
USPC D6/323; D8/67, 330, 349, 354, 355, 356,
D8/363, 364, 367, 371, 373, 383, 397;
D15/5, 146, 147, 148; D34/32, 33, 35
CPC H01R 11/11; F16L 23/036; F16L 3/13
See application file for complete search history.

(56) **References Cited**

U.S. PATENT DOCUMENTS

4,793,376	A	12/1988	Hare	137/355.23
5,109,882	A	5/1992	Eley	137/355.21
5,179,972	A	1/1993	Eley	137/355.19
5,330,121	A	7/1994	Eley	242/401
5,462,298	A	10/1995	Bodine	280/47.34
5,996,947	A *	12/1999	Palmieri, III	B05B 15/063 248/146
6,708,934	B2	3/2004	Brueske	248/80
D552,971	S *	10/2007	Lin	D8/356
7,377,289	B1	5/2008	English et al.	137/355.2
8,353,307	B2	1/2013	Blaszczak et al.	137/355.27

D684,035	S *	6/2013	Su	D8/356
D803,032	S *	11/2017	Jammehdiabadi	D8/356
2003/0108391	A1 *	6/2003	Essay	B65H 49/305 405/154.1
2007/0018031	A1 *	1/2007	Sycko	B65H 49/305 242/597.4
2008/0066808	A1	3/2008	Stein	137/355.12
2011/0198430	A1 *	8/2011	Rothell	B65H 49/305 242/401
2016/0251196	A1 *	9/2016	Thakare	B65H 75/22 242/609

OTHER PUBLICATIONS

“Liberty Star Garden Butler”, <http://libertygardenproducts.com/products/sku/117>.

* cited by examiner

Primary Examiner — John Windmuller

Assistant Examiner — Benjamin M Weeks

(74) *Attorney, Agent, or Firm* — MacCord Mason PLLC

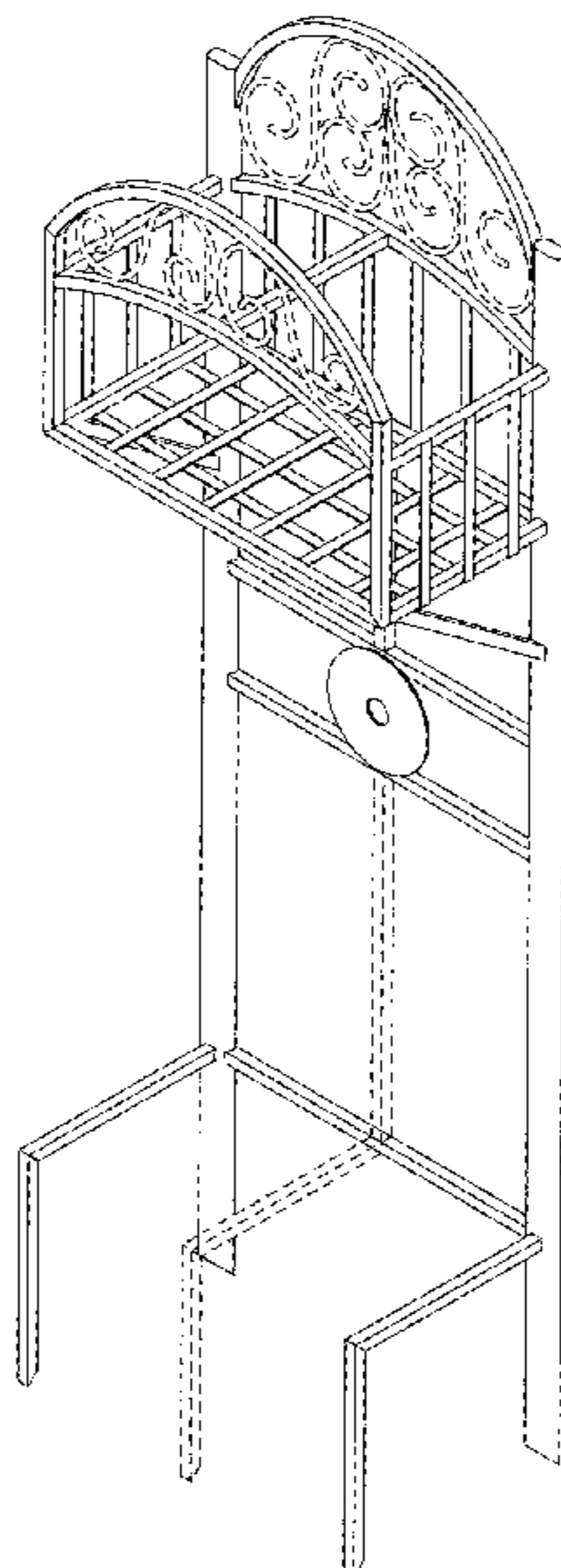
(57) **CLAIM**

The ornamental design for a hose stand with decorative shelf and spout support, as shown and described.

DESCRIPTION

FIG. 1 is a right side perspective view of one embodiment of a hose stand with decorative shelf and spout support; FIG. 2 is a front view of the embodiment in FIG. 1; FIG. 3 is a back view of the embodiment in FIG. 1; FIG. 4 is a left side view of the embodiment in FIG. 1; FIG. 5 is a right side view of the embodiment in FIG. 1; and, FIG. 6 is a top side view of the embodiment in FIG. 1. The broken lines represent portions of the hose stand with decorative shelf and spout support that form no part of the claimed design.

1 Claim, 6 Drawing Sheets



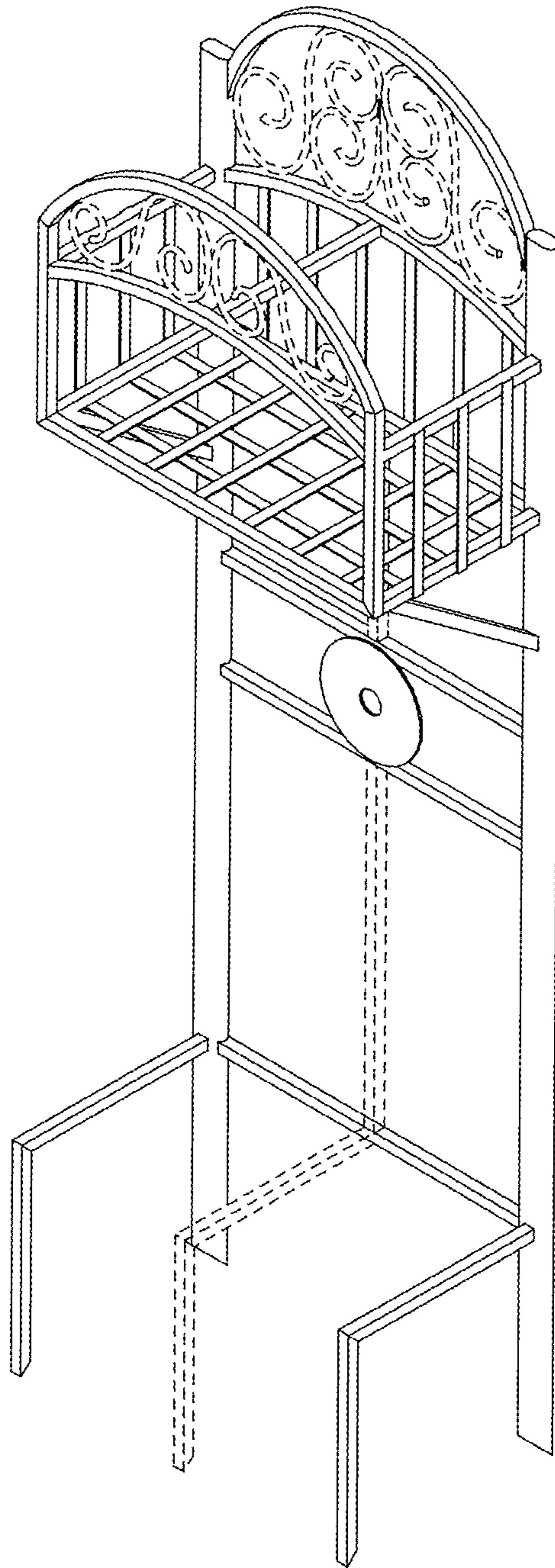


FIG. 1

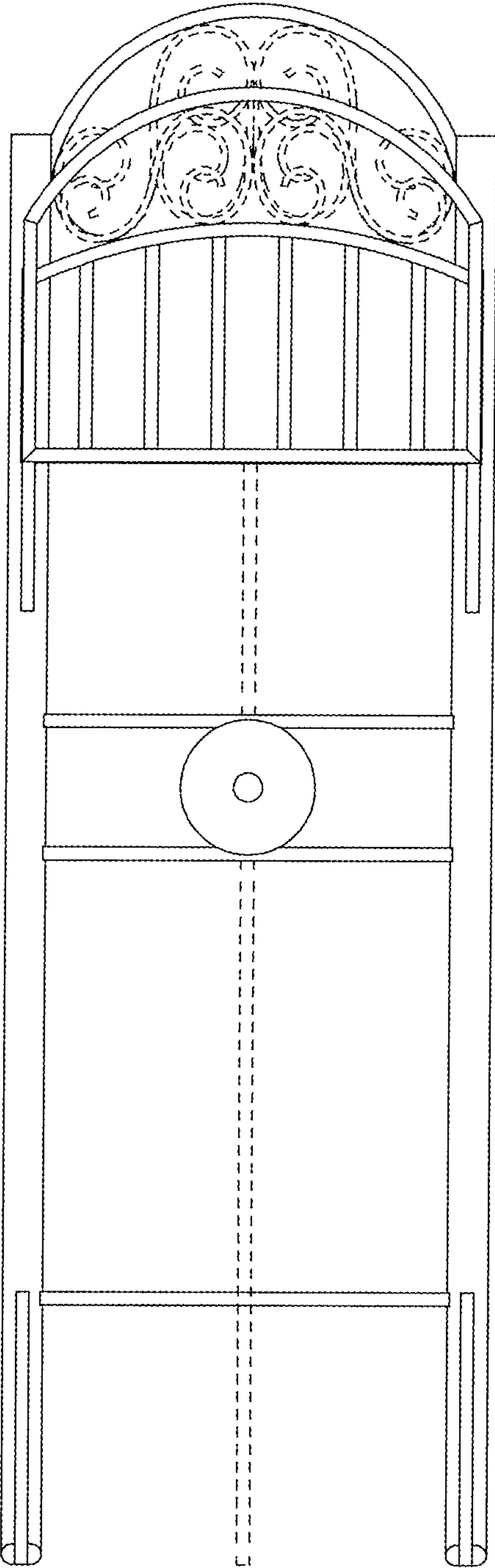


FIG. 2

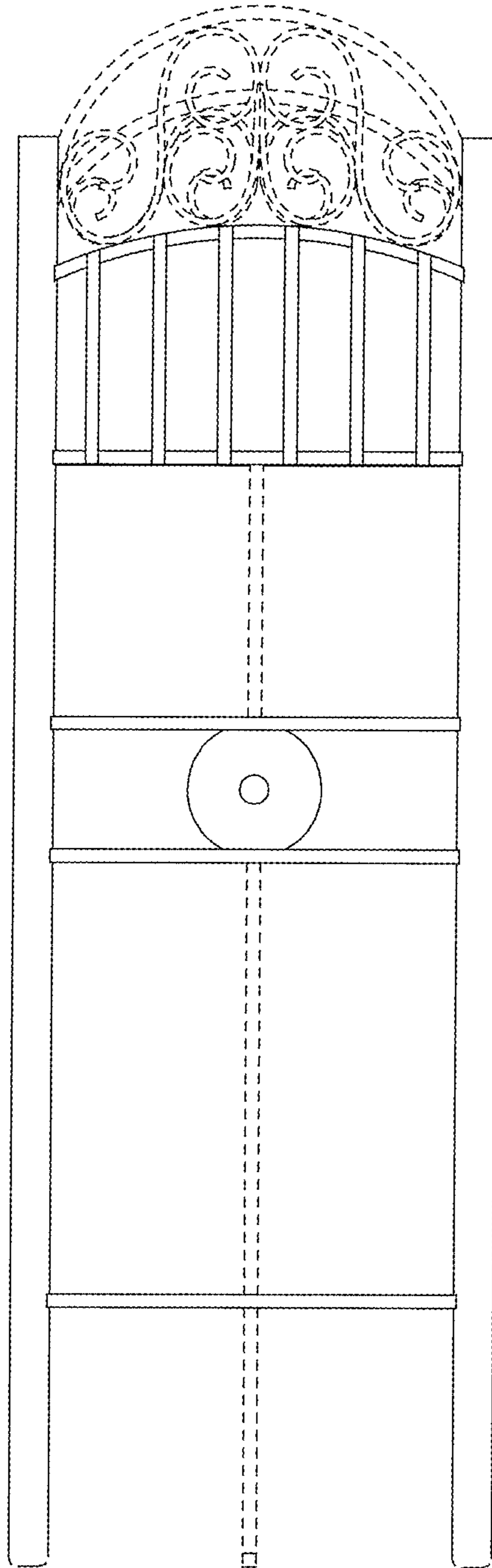


FIG. 3

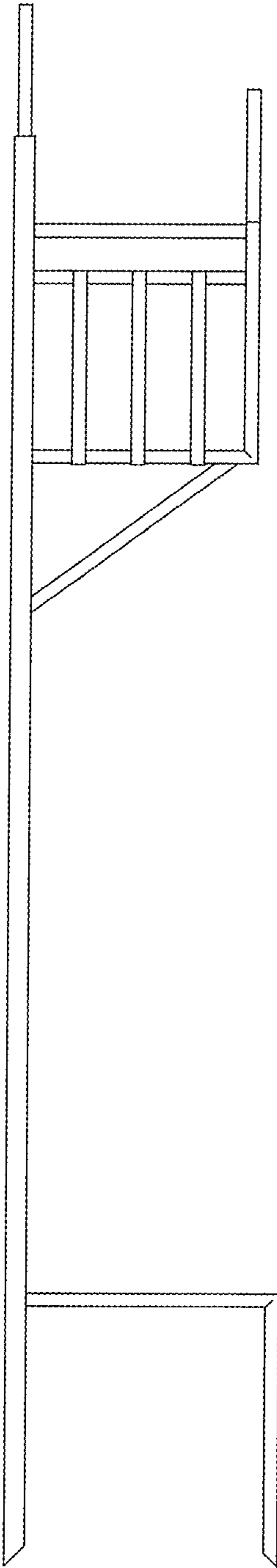


FIG. 4

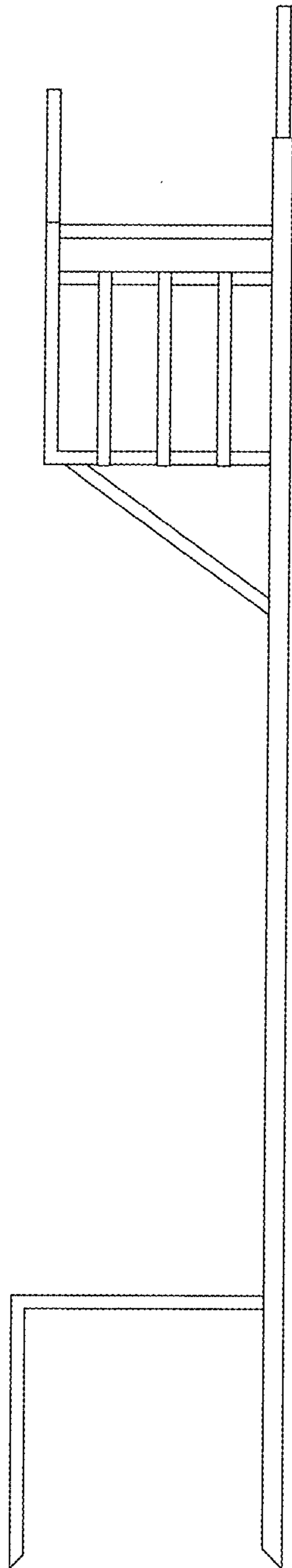


FIG. 5

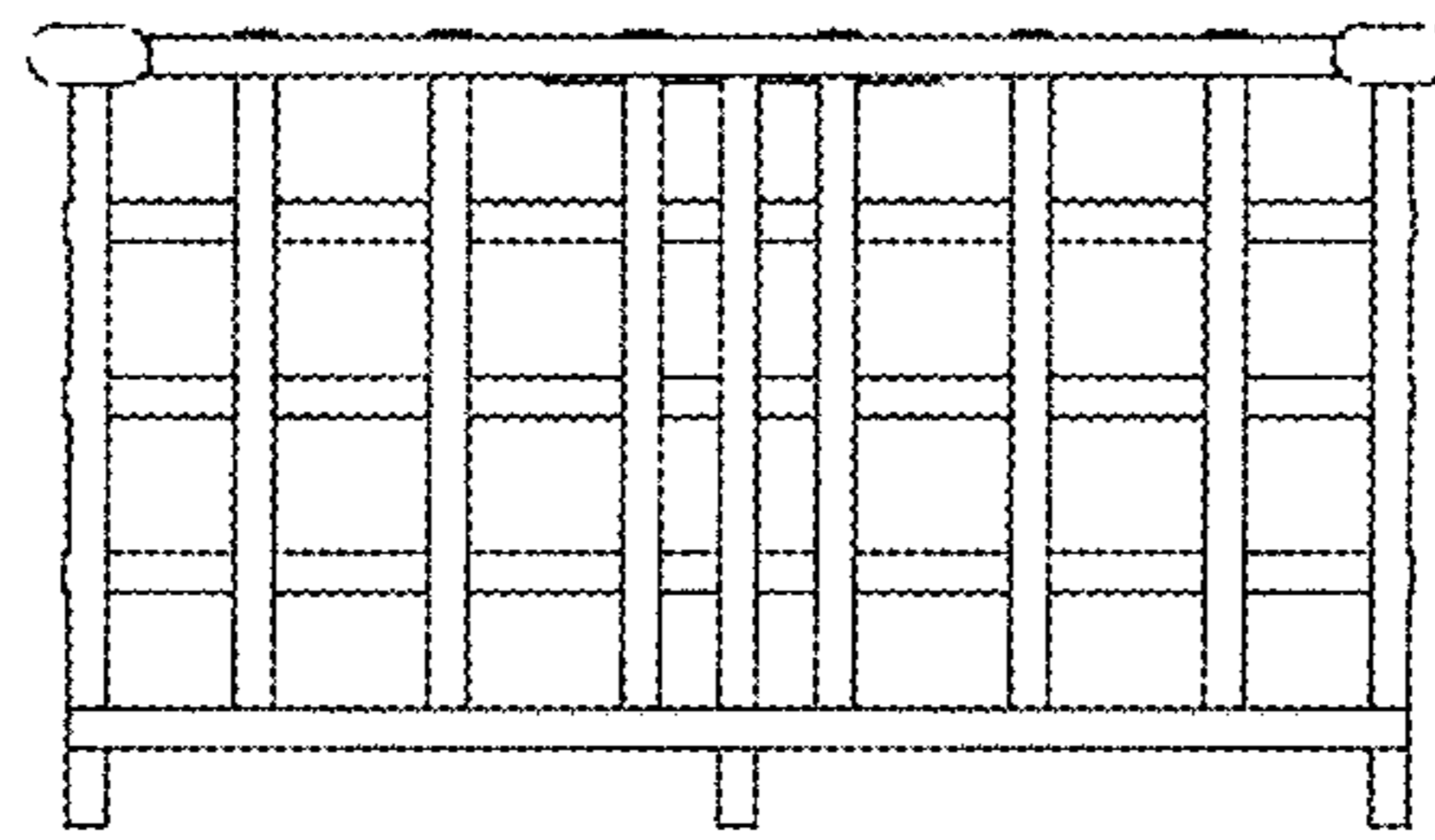


FIG. 6