



US00D813649S

(12) **United States Design Patent**
Southard

(10) **Patent No.:** **US D813,649 S**
(45) **Date of Patent:** **** Mar. 27, 2018**

(54) **HOSE STAND WITH DECORATIVE SHELF**

(71) Applicant: **Liberty Garden Products, Inc.**,
Kernersville, NC (US)

(72) Inventor: **Kent Southard**, Kernersville, NC (US)

(73) Assignee: **Liberty Garden Products, Inc.**,
Kernersville, NC (US)

(**) Term: **15 Years**

(21) Appl. No.: **29/565,150**

(22) Filed: **May 18, 2016**

(51) **LOC (11) Cl.** **08-05**

(52) **U.S. Cl.**
USPC **D8/356**

(58) **Field of Classification Search**
USPC D6/323; D8/67, 330, 349, 354, 355, 356,
D8/363, 364, 367, 371, 373, 383, 397;
D15/5, 146, 147, 148; D34/32, 33, 35
CPC B65D 1/00
See application file for complete search history.

(56) **References Cited**

U.S. PATENT DOCUMENTS

4,793,376	A	12/1988	Hare	137/355.23
5,109,882	A	5/1992	Eley	137/355.21
5,179,972	A	1/1993	Eley	137/355.19
5,330,121	A	7/1994	Eley	242/401
5,462,298	A	10/1995	Bodine	280/47.34
5,996,947	A *	12/1999	Palmieri	B05B 15/063 248/146
6,708,934	B2	3/2004	Brueske	248/80
D552,971	S *	10/2007	Lin	D8/356
7,377,289	B1	5/2008	English et al.	137/355.2
8,353,307	B2	1/2013	Blaszczak et al.	137/355.27

D684,035	S *	6/2013	Su	D8/356
D803,032	S *	11/2017	Jammehdiabadi	D8/356
2003/0108391	A1 *	6/2003	Essay	B65H 49/305 405/154.1
2007/0018031	A1 *	1/2007	Sycko	B65H 49/305 242/597.4
2008/0066808	A1	3/2008	Stein	137/355.12
2011/0198430	A1 *	8/2011	Rothell	B65H 49/305 242/401
2016/0251196	A1 *	9/2016	Thakare	B65H 75/22 242/609

OTHER PUBLICATIONS

“Liberty Star Garden Butler”, <http://libertygardenproducts.com/products/sku/117>.

* cited by examiner

Primary Examiner — John Windmuller
Assistant Examiner — Benjamin M Weeks
(74) *Attorney, Agent, or Firm* — MacCord Mason PLLC

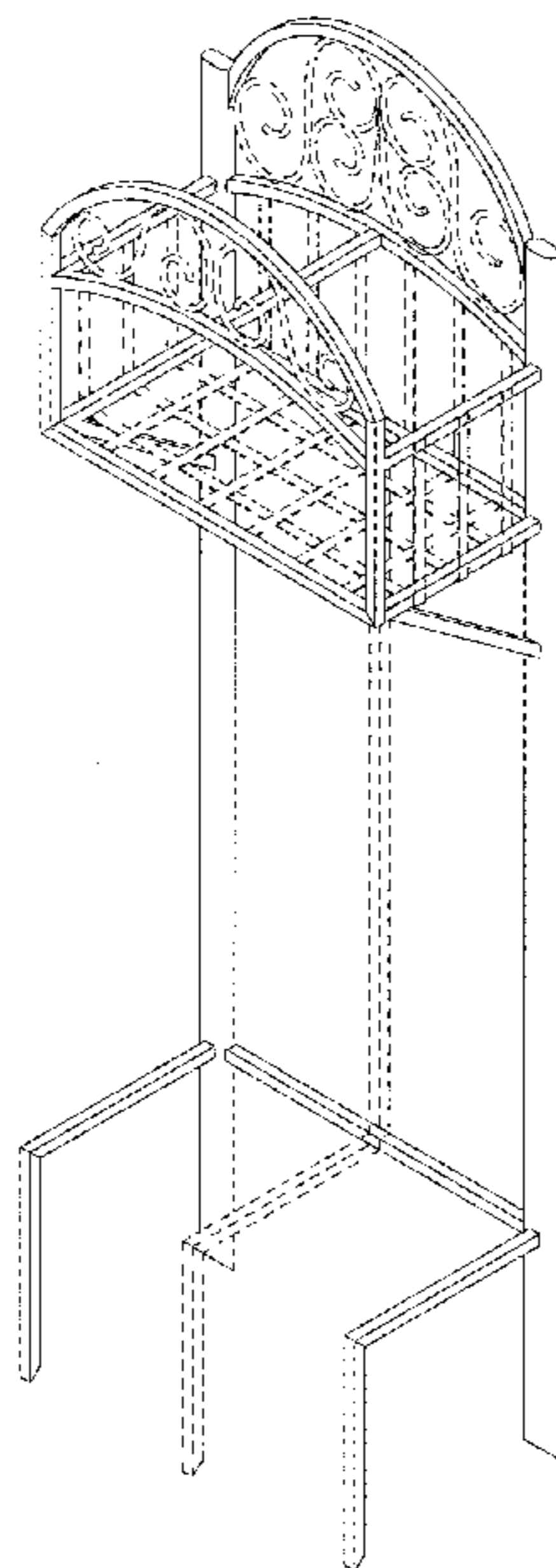
(57) **CLAIM**

The ornamental design for a hose stand with decorative shelf, as shown and described.

DESCRIPTION

FIG. 1 is a right side perspective view of a hose stand with decorative shelf;
FIG. 2 is a front view of the embodiment in FIG. 1;
FIG. 3 is a back view of the embodiment in FIG. 1;
FIG. 4 is a left side view of the embodiment in FIG. 1;
FIG. 5 is a right side view of the embodiment in FIG. 1; and,
FIG. 6 is a top side view of the embodiment in FIG. 1.
The broken lines represent portions of the hose stand with decorative shelf that form no part of the claimed design.

1 Claim, 6 Drawing Sheets



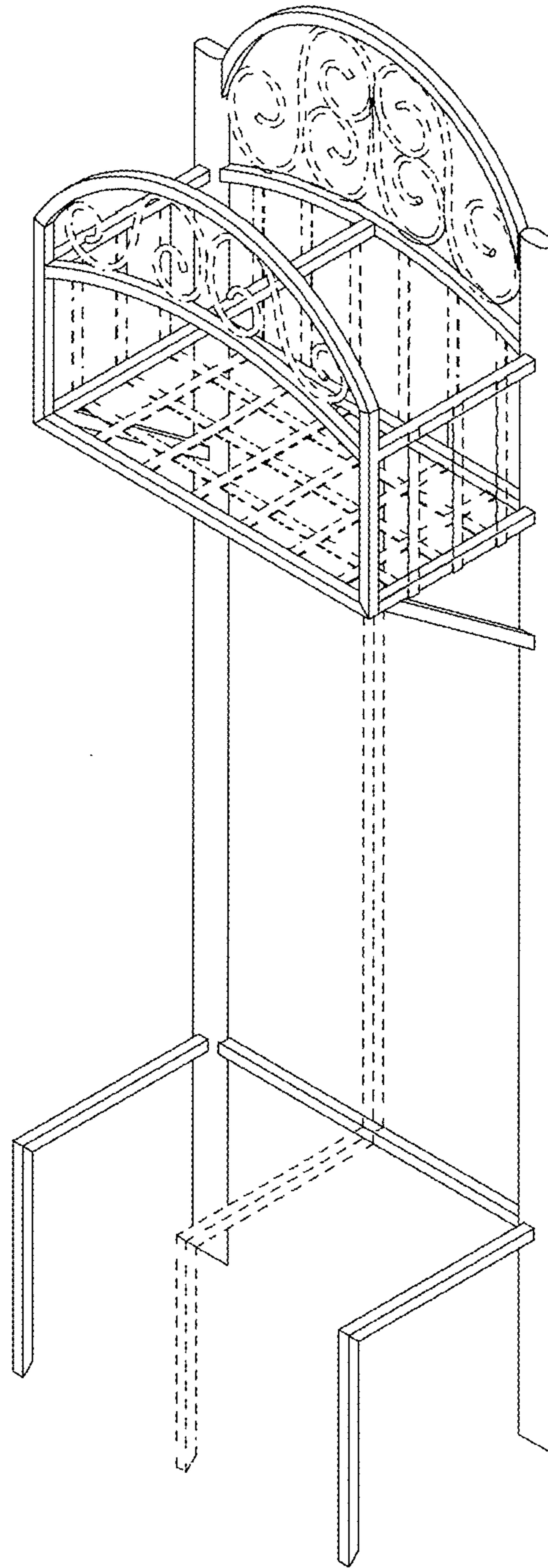


FIG. 1

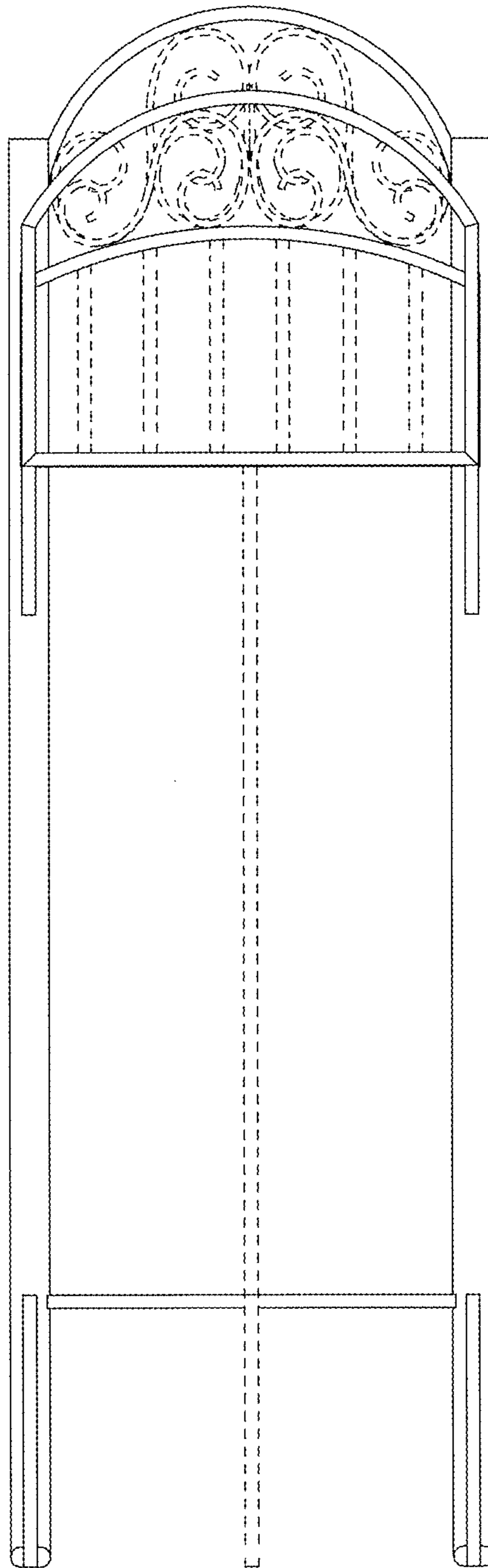


FIG. 2

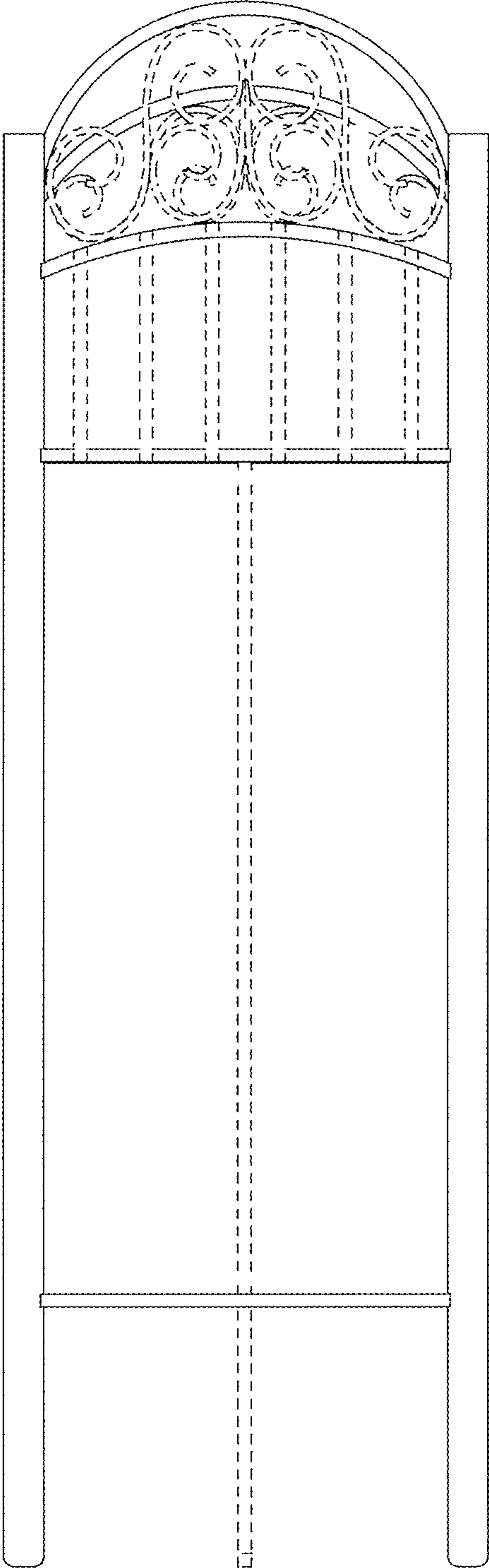


FIG. 3

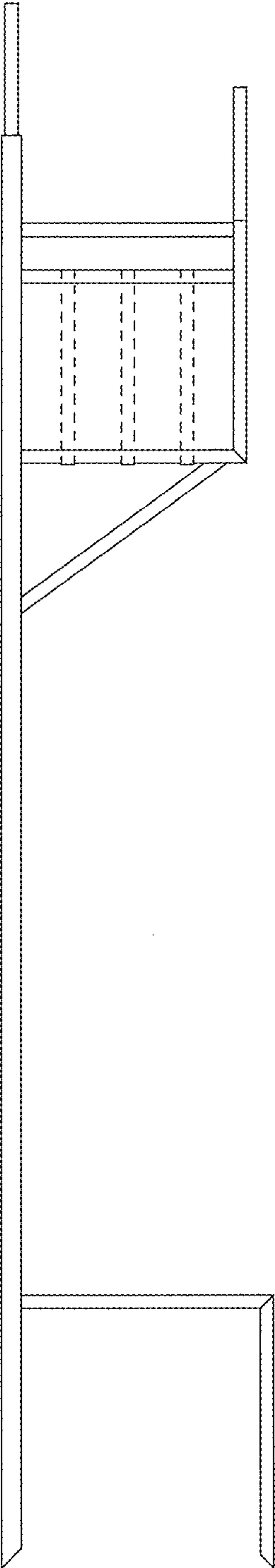


FIG. 4

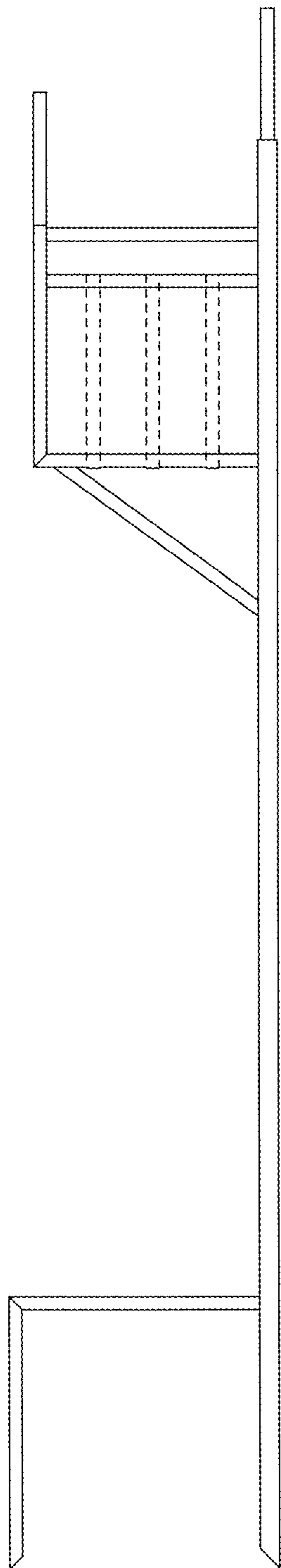


FIG. 5

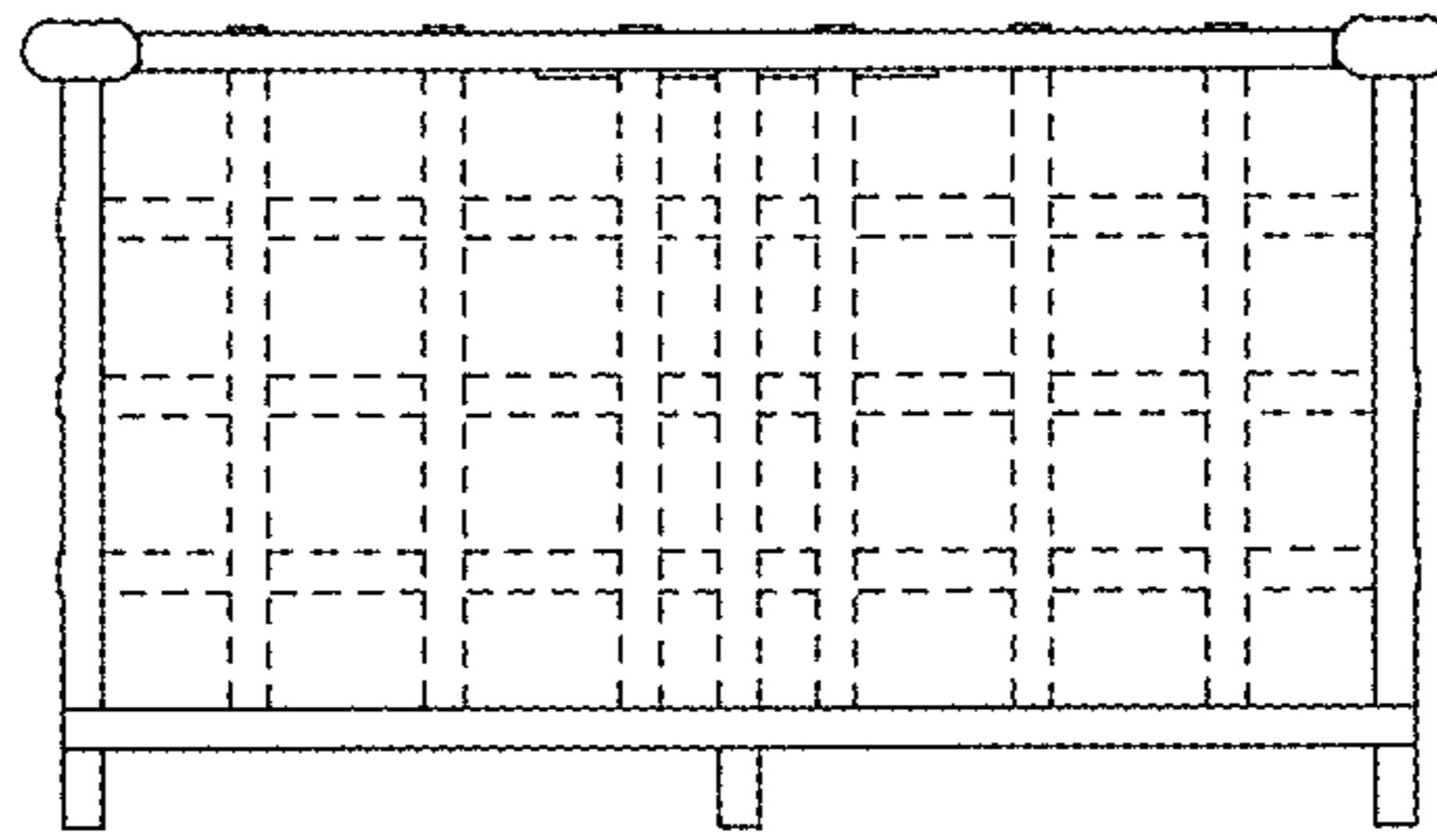


FIG. 6