



US00D813648S

(12) **United States Design Patent** (10) **Patent No.:** **US D813,648 S**
Karol et al. (45) **Date of Patent:** **** Mar. 27, 2018**

(54) **MOTOR BRACKET**
(71) Applicant: **DEKA Products Limited Partnership**,
Manchester, NH (US)
(72) Inventors: **Daniel S. Karol**, Southborough, MA
(US); **William D. Hunt**, Gilmanton,
NH (US); **Gregory Needel**, Dallas, TX
(US)
(73) Assignee: **DEKA Products Limited Partnership**,
Manchester, NH (US)
(**) Term: **15 Years**
(21) Appl. No.: **29/572,411**
(22) Filed: **Jul. 27, 2016**
(51) **LOC (11) Cl.** **08-05**
(52) **U.S. Cl.**
USPC **D8/354**
(58) **Field of Classification Search**
USPC D8/354, 349, 355, 363, 366, 371, 373,
D8/380; 160/323 A, 321, 323.1;
248/267, 268; D12/223
CPC ... E02D 27/02; E04B 2005/322; E04G 11/06;
E04G 11/36
See application file for complete search history.

D666,133 S * 8/2012 In D12/223
9,079,465 B1 * 7/2015 Sanftleben B60D 1/58
D795,676 S * 8/2017 Karol D8/349
D799,937 S * 10/2017 Karol D8/354

OTHER PUBLICATIONS

Lynxmotion ASB-19 Aluminum Interconnect Bracket (2pk)—
Lynxmotion Inc. (<http://www.lynxmotion.com>) <http://www.robotshop.com/en/lynxmotion-asb-19-aluminum-interconnect-bracket-2pk.html> © 2016 RobotShop Inc (3 pages).
Andy Mark, motor bracket search—AndyMark Inc. (<https://www.andymark.com>) <https://www.andymark.com/Search-s/545.htm?Search=motor+bracket&Submit=©> 2017 AndyMark Inc. (1 page).
MakeBlock, 3 motor bracket search—MakeBlock Co. Ltd (<http://www.makeblock.com>) <http://www.makeblock.com/index.php?route=product/search&search=motor%20bracket> © 2013-2017 Makeblock Co., Ltd (2 pages).

* cited by examiner

Primary Examiner — Mark Goodwin
(74) *Attorney, Agent, or Firm* — Kathleen Chapman

(57) **CLAIM**

The ornamental design of a motor bracket, as shown and described.

DESCRIPTION

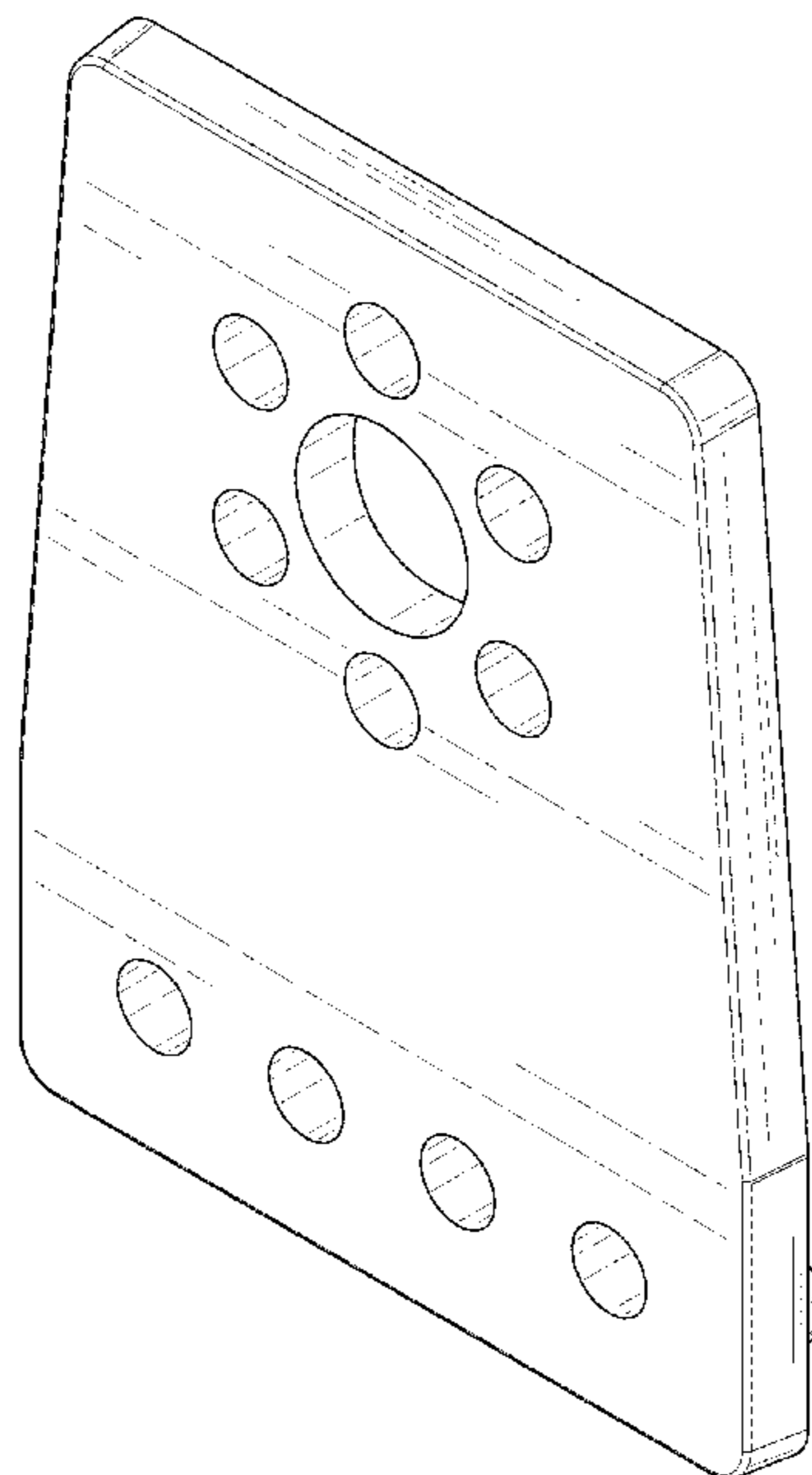
FIG. 1 is a front, top, right side perspective view of the motor bracket, showing our new design;
FIG. 2 is a front side elevational view thereof;
FIG. 3 is a rear side elevational view thereof;
FIG. 4 is a left side elevational view thereof;
FIG. 5 is a right side elevational view thereof;
FIG. 6 is a bottom plan view thereof; and,
FIG. 7 is a top plan view thereof.

1 Claim, 5 Drawing Sheets

(56) **References Cited**

U.S. PATENT DOCUMENTS

D296,886 S * 7/1988 Young, Jr. D12/162
D442,539 S * 5/2001 Nickel D12/223
D528,951 S * 9/2006 Oben D12/180
D530,187 S * 10/2006 Esbaugh D8/354
D534,064 S * 12/2006 Gimbel D8/382
D534,905 S * 1/2007 Sergi D14/238
D556,842 S * 12/2007 Webber D21/694



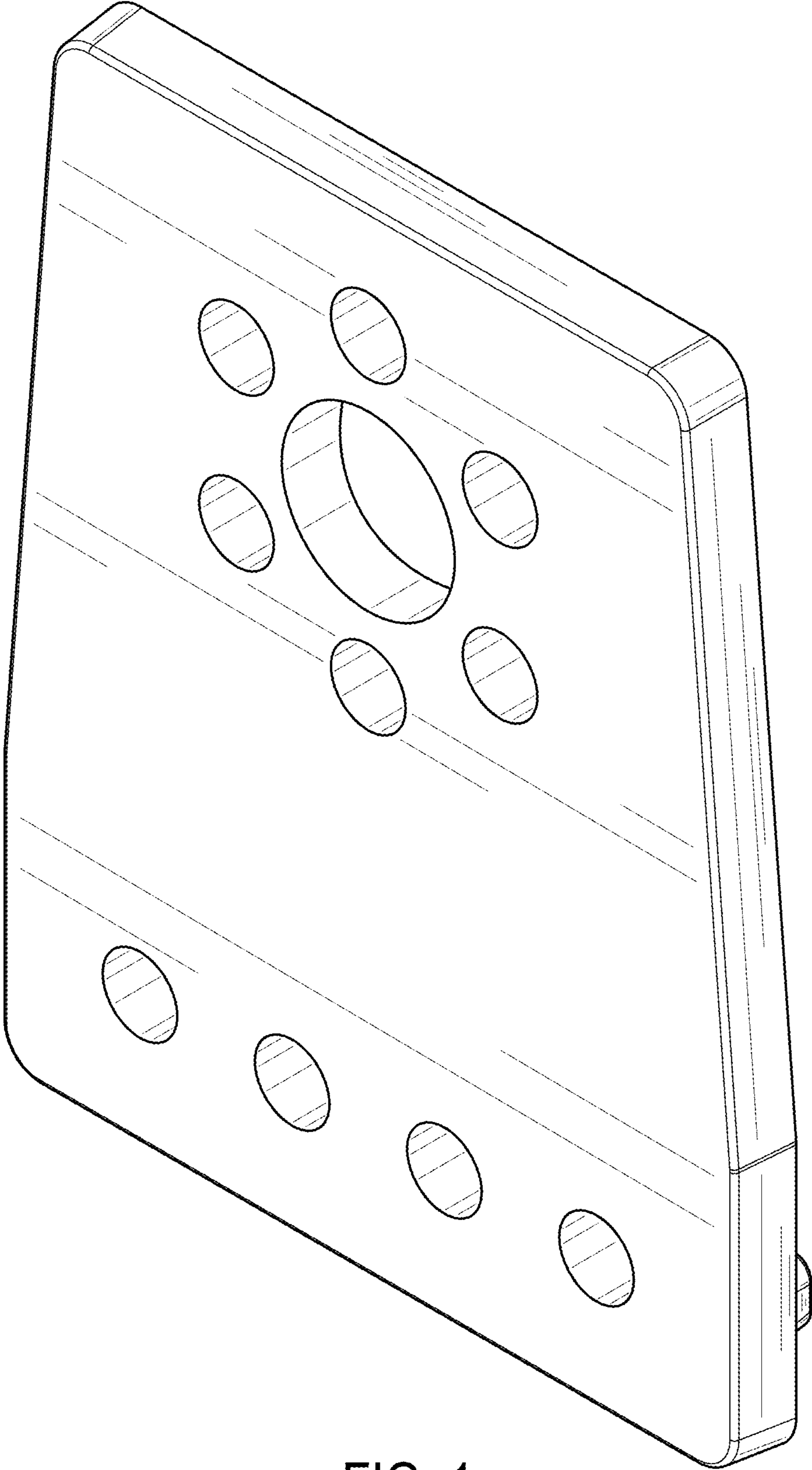


FIG. 1

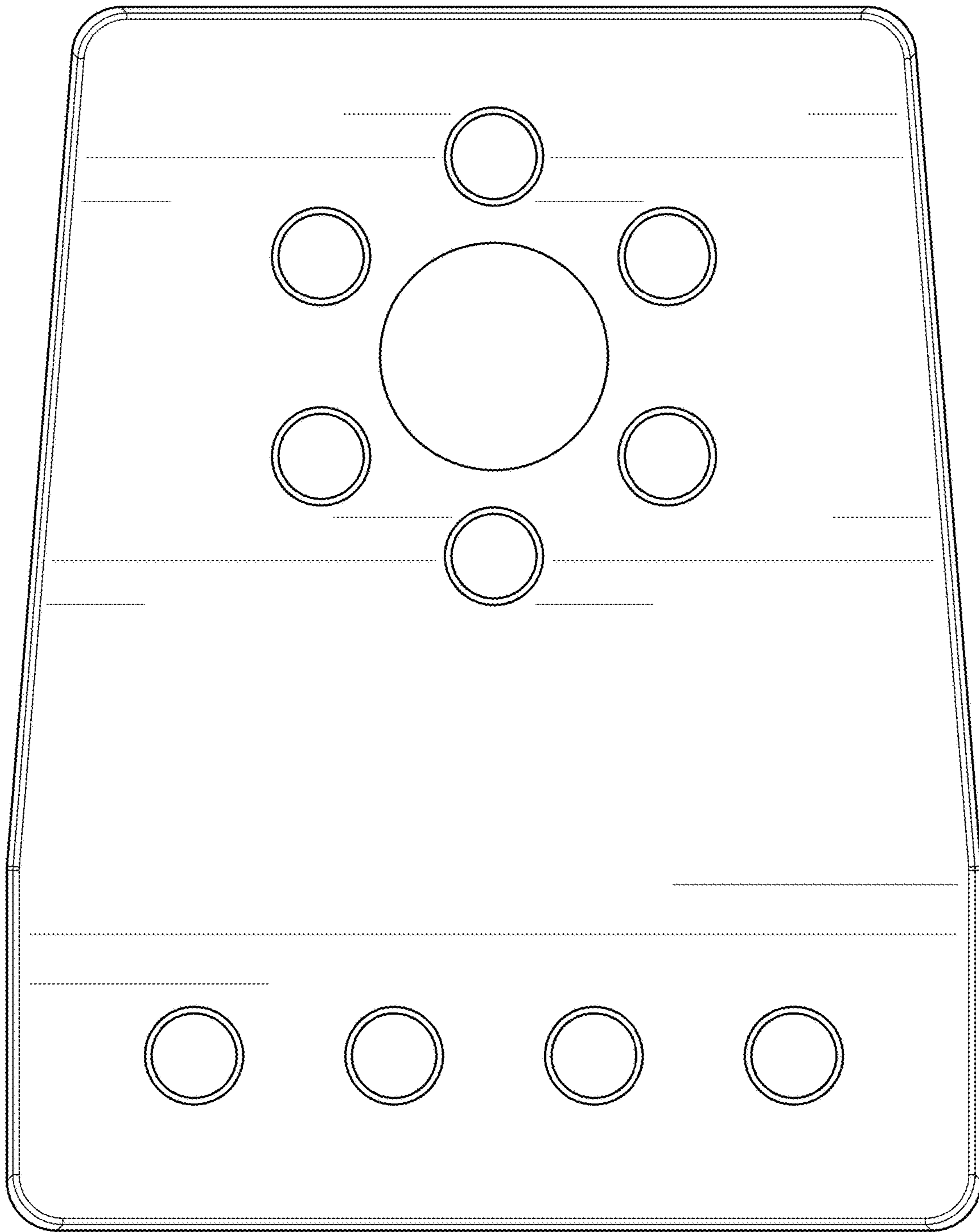


FIG. 2

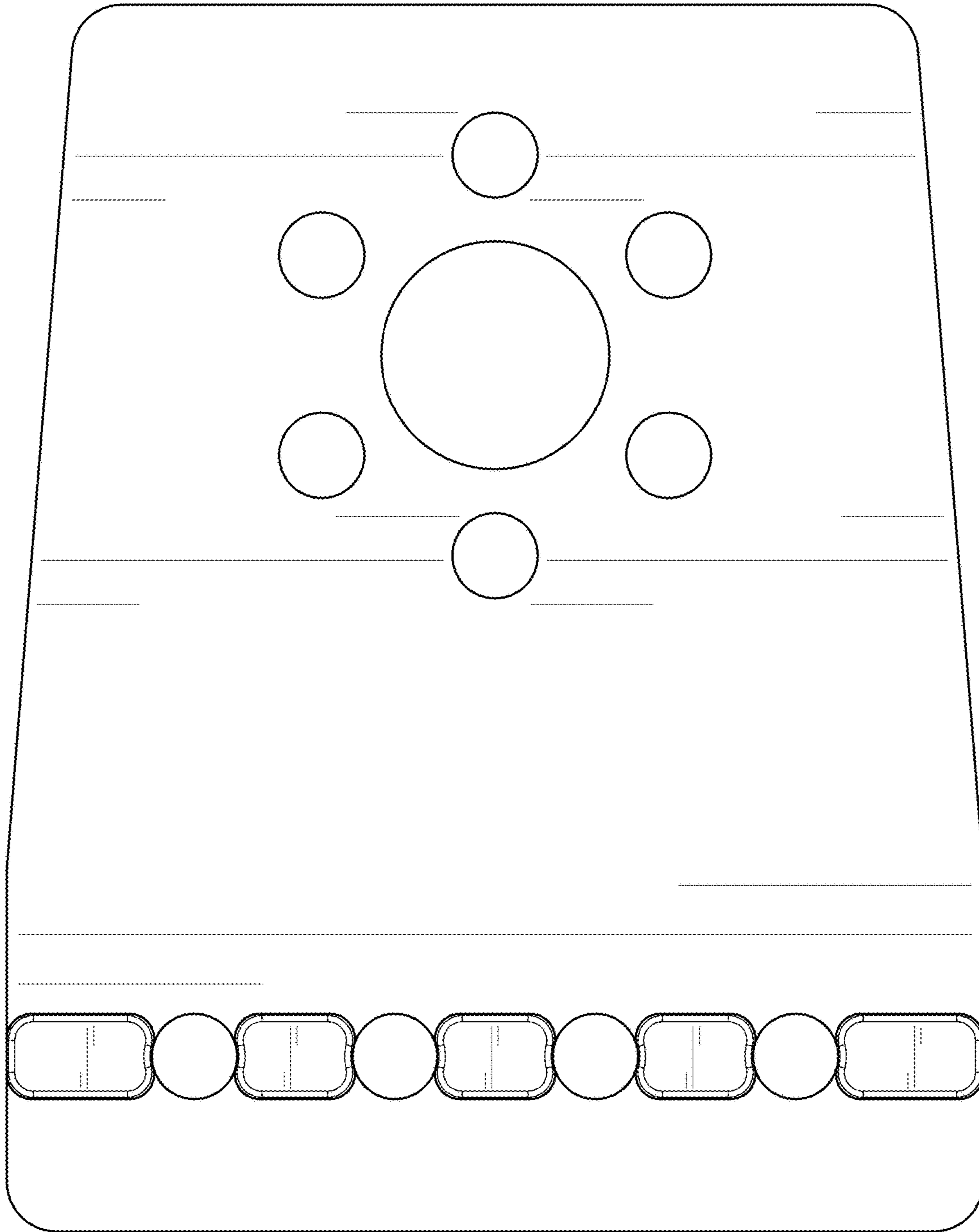


FIG. 3

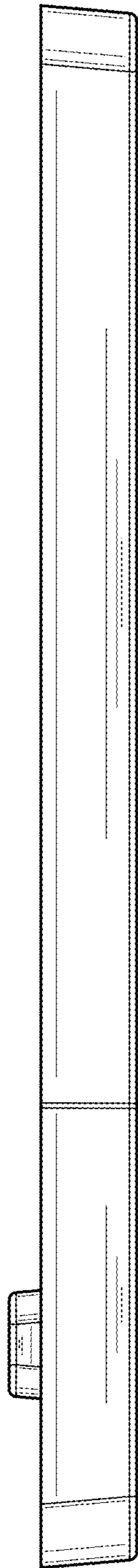


FIG. 4

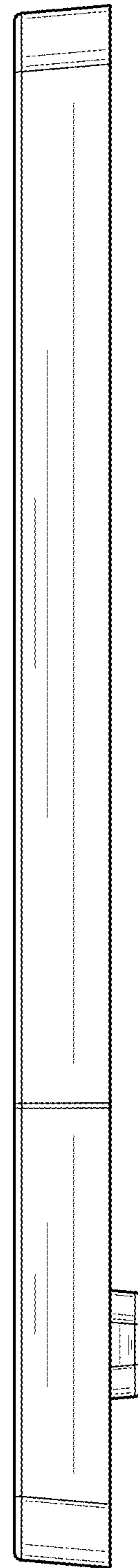


FIG. 5

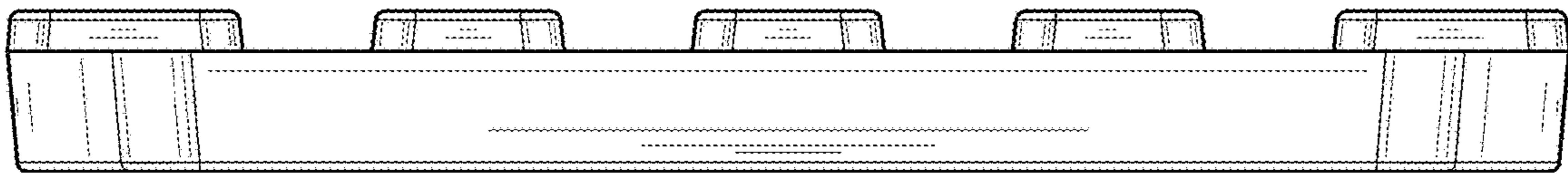


FIG. 6

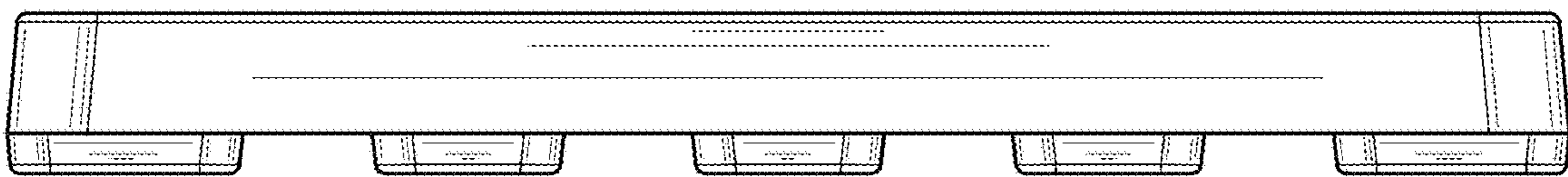


FIG. 7