



US00D813647S

(12) **United States Design Patent**
Burmeister-Brown et al.

(10) **Patent No.:** **US D813,647 S**
(45) **Date of Patent:** **** Mar. 27, 2018**

(54) **NETWORK ACCESS POINT MOUNTING PLATE**

DESCRIPTION

(71) Applicant: **Open Mesh, Inc.**, Portland, OR (US)

(72) Inventors: **Michael D. Burmeister-Brown**,
Portland, OR (US); **Jeff Miller**,
Portland, OR (US)

(**) Term: **15 Years**

(21) Appl. No.: **29/589,454**

(22) Filed: **Dec. 30, 2016**

(51) **LOC (11) Cl.** **08-05**

(52) **U.S. Cl.**
USPC **D8/353**

(58) **Field of Classification Search**

USPC D13/152, 154, 156; D8/349, 353, 354;
D14/256, 299

CPC H01R 13/052; H01R 13/73; H01R 13/74;
H01R 13/743; H01R 24/62; H01R
9/2491; H01R 2201/04; H02G 3/08;
H02G 3/081;

(Continued)

(56) **References Cited**

U.S. PATENT DOCUMENTS

D285,551 S * 9/1986 Meyer D13/147
4,756,695 A * 7/1988 Lane H01R 24/62
439/535

(Continued)

Primary Examiner — Selina Sikder

(74) *Attorney, Agent, or Firm* — Perkins Coie LLP

(57) **CLAIM**

The ornamental design for a network access point mounting plate, as shown and described.

FIG. 1 is a perspective view of a network access point mounting plate showing our design, with the network access point mounting plate being in a first configuration in which adjustable brackets of the network access point mounting plate are adjusted to a minimum spacing.

FIG. 2 is a bottom plan view of the network access point mounting plate showing our design with the network access point mounting plate being in the first configuration.

FIG. 3 is a top plan view of the network access point mounting plate showing our design with the network access point mounting plate being in the first configuration.

FIG. 4 is a left side profile view of the network access point mounting plate showing our design with the network access point mounting plate being in the first configuration.

FIG. 5 is a right side profile view of the network access point mounting plate showing our design with the network access point mounting plate being in the first configuration.

FIG. 6 is a front profile view of the network access point mounting plate showing our design with the network access point mounting plate being in the first configuration.

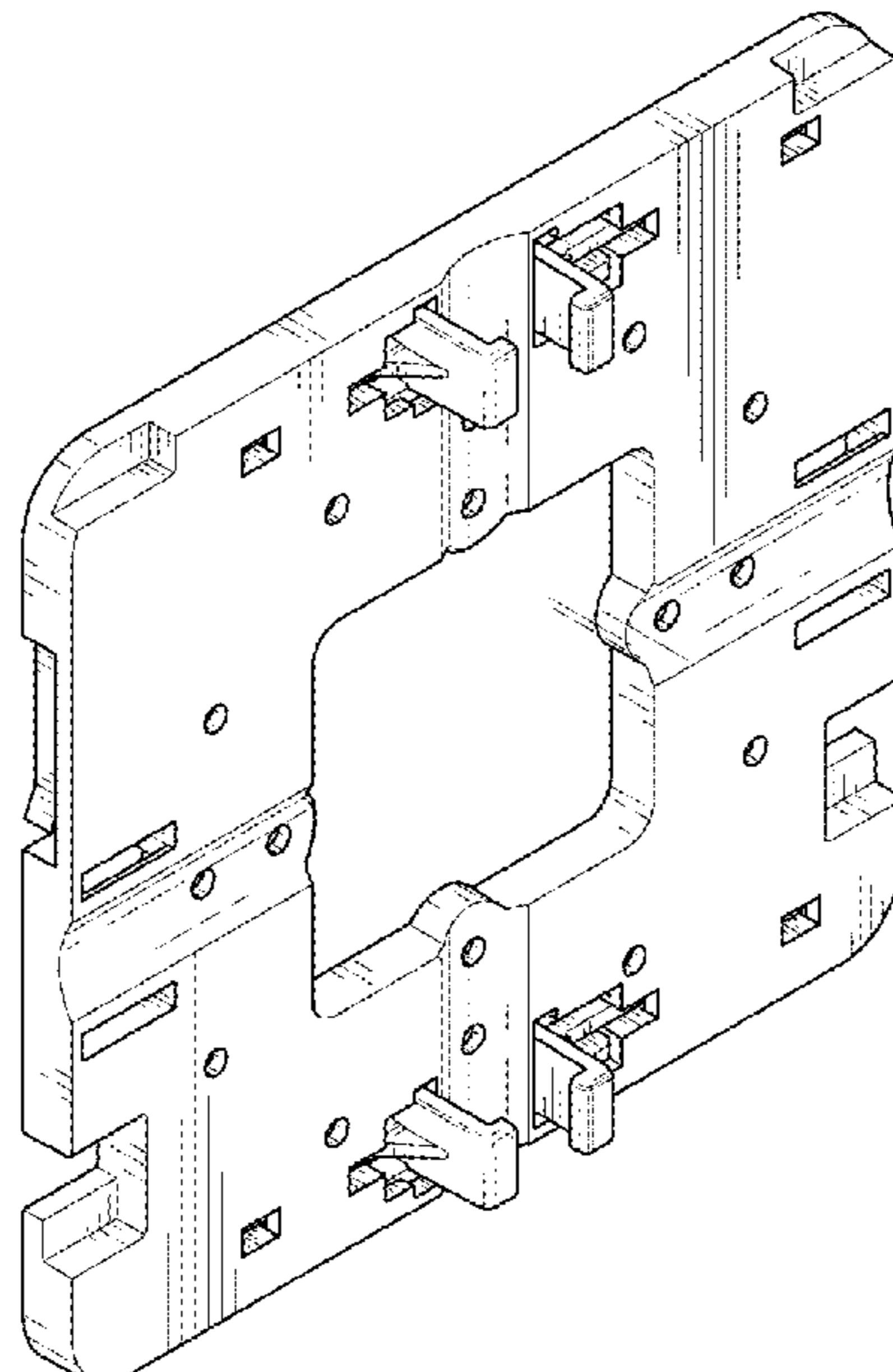
FIG. 7 is a back profile view of the network access point mounting plate showing our design with the network access point mounting plate being in the first configuration.

FIG. 8 is a perspective view of the network access point mounting plate showing our design, with the network access point mounting plate being in a second configuration in which the adjustable brackets of the network access point mounting plate are adjusted to a maximum spacing; and,

FIG. 9 is a back profile view of the network access point mounting plate showing our design with the network access point mounting plate being in the second configuration.

The details shown in broken lines illustrate features that form no part of the claimed design.

1 Claim, 4 Drawing Sheets



US D813,647 S

Page 2

(58) **Field of Classification Search**
CPC .. H02G 3/10; H02G 3/14; H02G 3/18; H02G
3/123; Y10S 248/906
See application file for complete search history.

(56) **References Cited**

U.S. PATENT DOCUMENTS

4,986,779 A * 1/1991 Ferrill H01R 13/516
439/108
D327,055 S * 6/1992 Derbyshire D13/156
5,263,676 A * 11/1993 Medlin, Jr. H02G 3/126
220/3.6
5,299,943 A * 4/1994 Shieh H01R 13/4534
174/53
5,484,308 A * 1/1996 Gotz H01R 13/502
439/536
D379,621 S * 6/1997 Federowicz D13/154
5,965,844 A * 10/1999 Lippa H02G 3/14
174/481

7,439,443 B2 * 10/2008 Dinh H02G 3/126
174/481
7,531,743 B2 * 5/2009 Johnson H02G 3/081
174/53
8,124,888 B2 * 2/2012 Etemad-
Moghadam H02G 3/14
174/481
8,503,183 B2 * 8/2013 Hamilton H05K 5/0017
174/50
RE44,515 E * 10/2013 Ciungan D14/452
2009/0205864 A1 * 8/2009 McCarthy H02G 3/081
174/481
2009/0247006 A1 * 10/2009 Thompson H02G 3/121
439/527
2012/0268901 A1 * 10/2012 Jeschko H01H 23/06
361/747
2017/0237187 A1 * 8/2017 Read H01R 9/2491
439/366

* cited by examiner

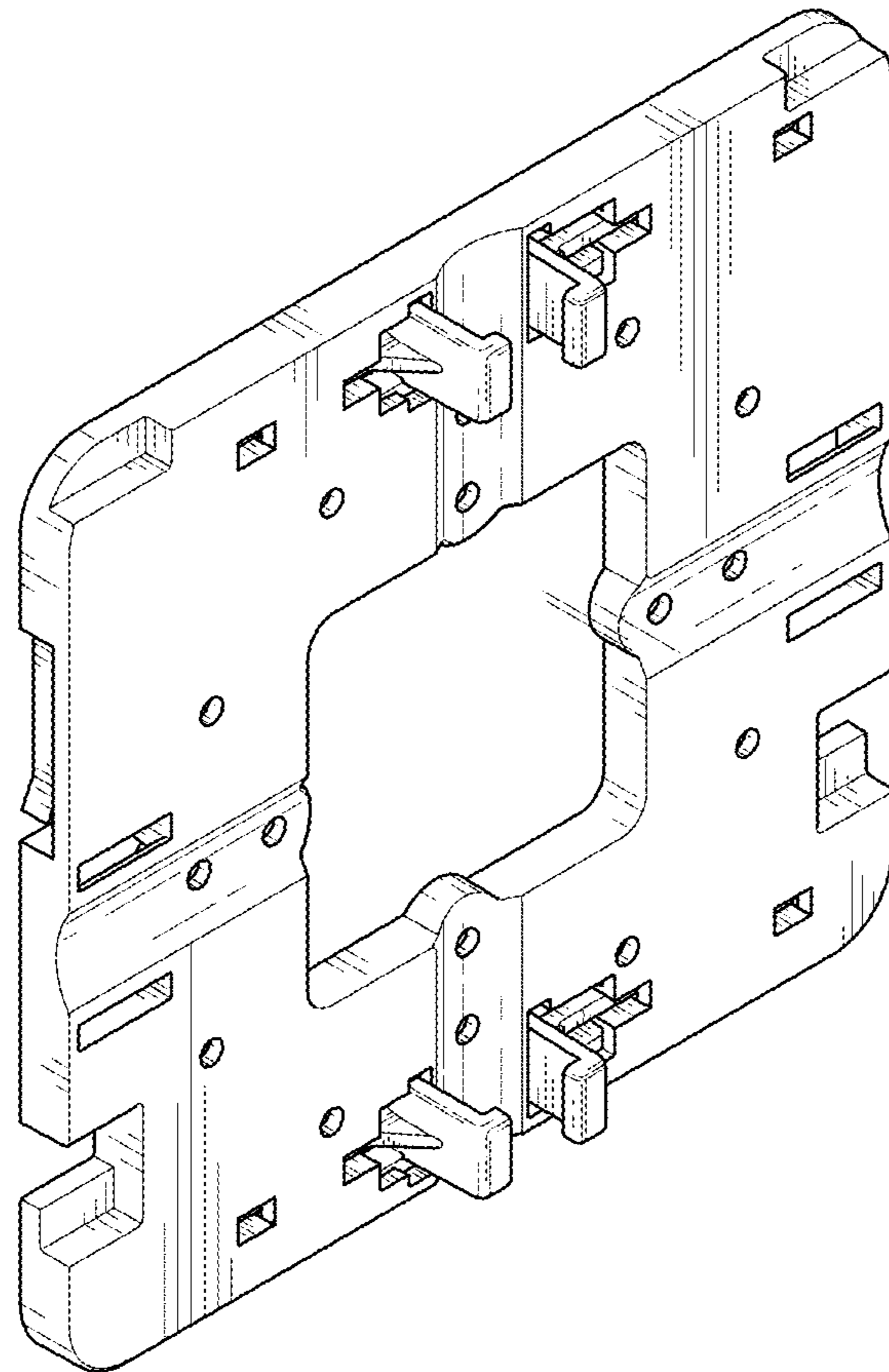


Fig. 1

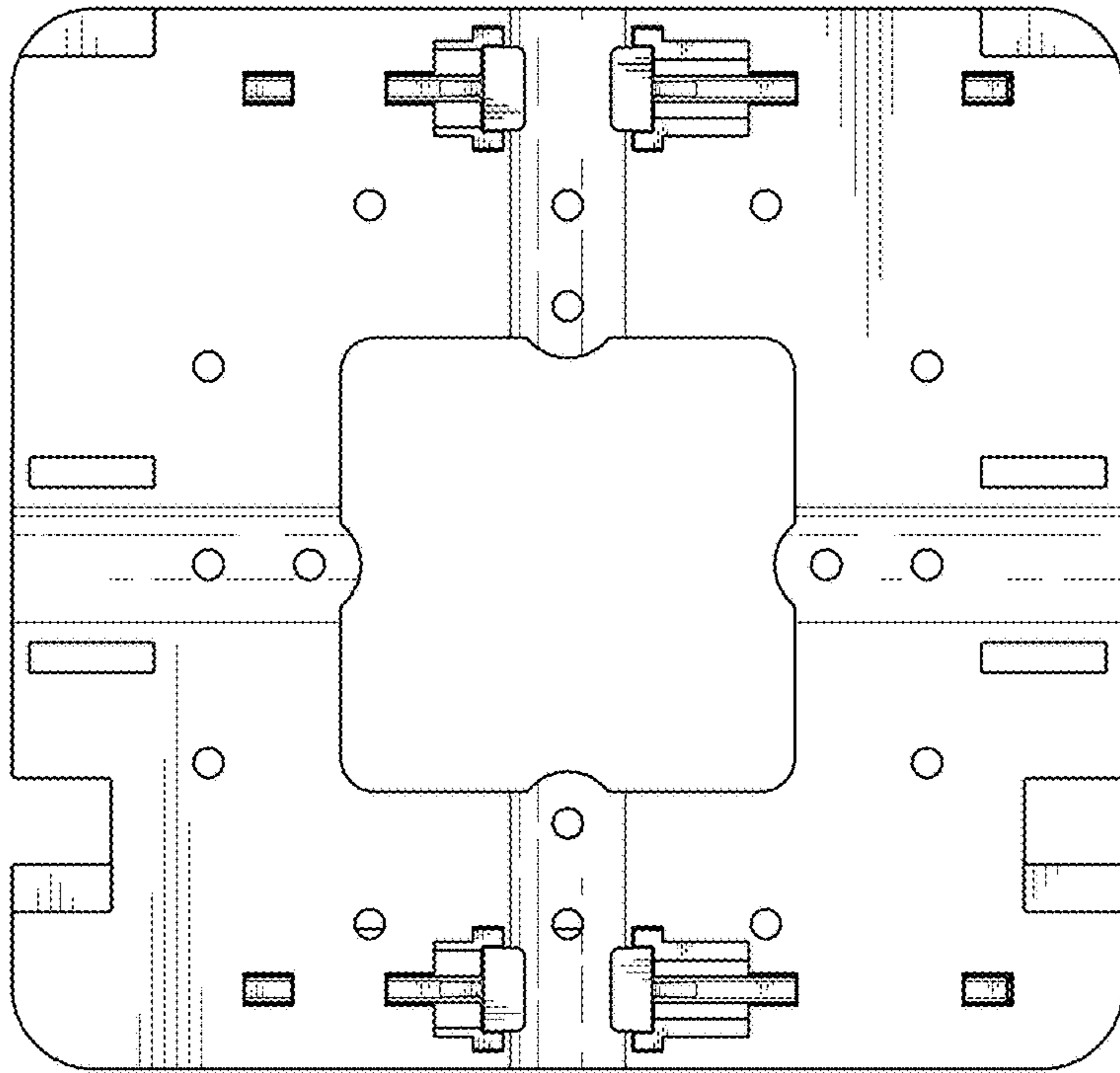


Fig. 2

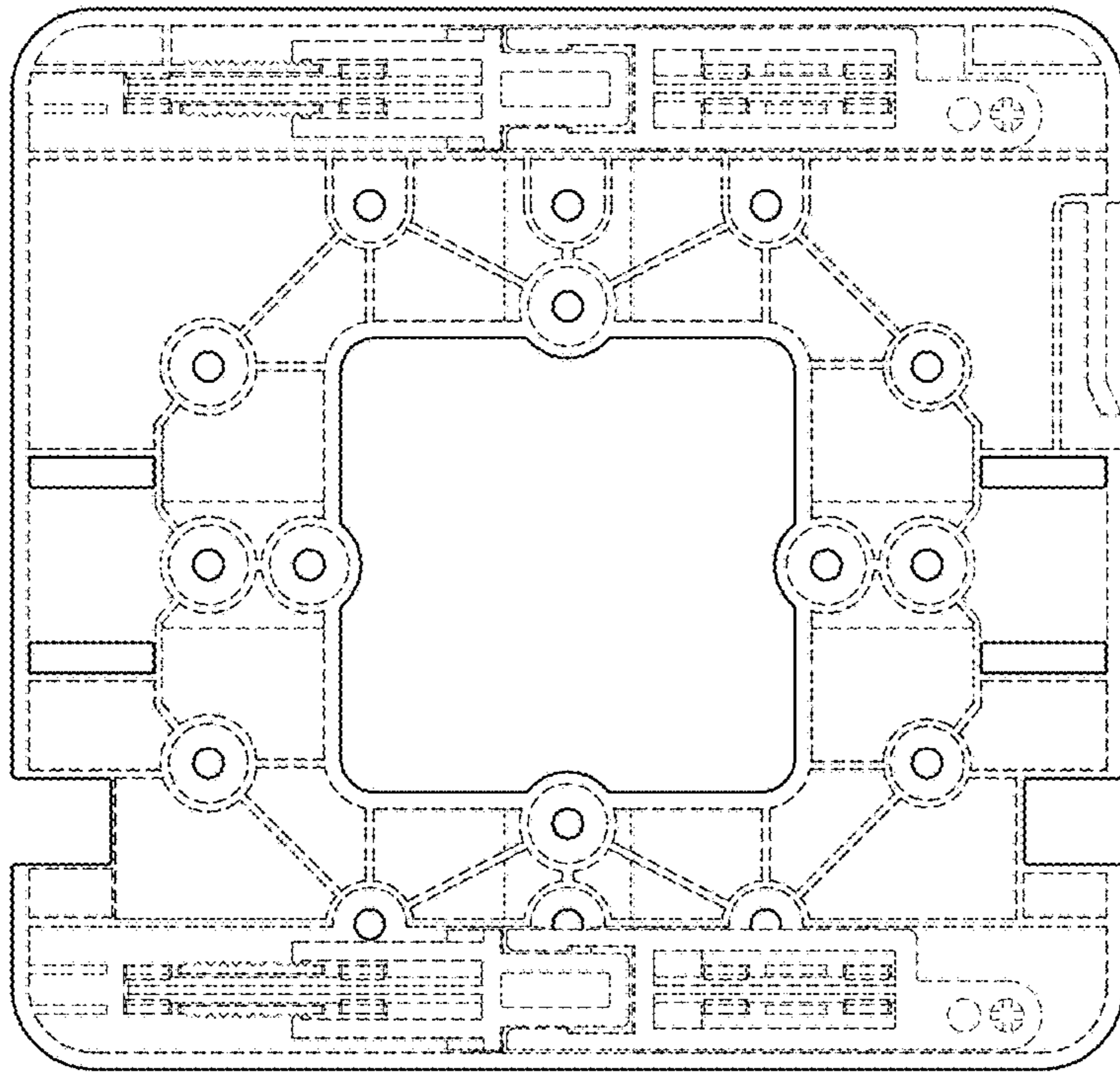


Fig. 3

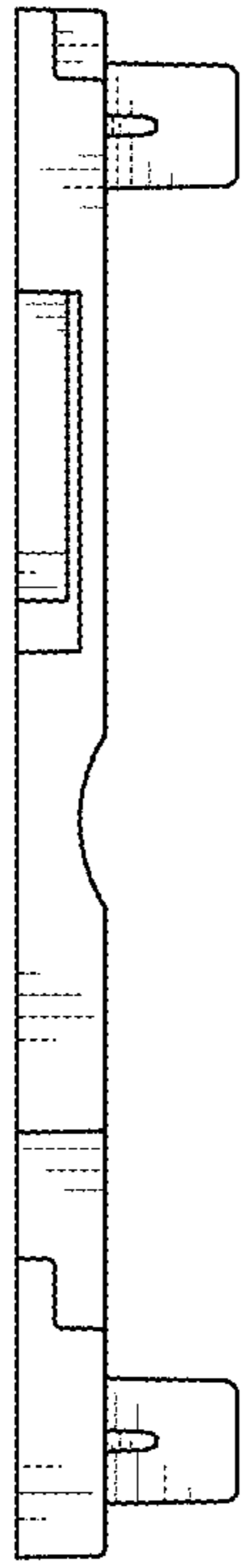


Fig. 4

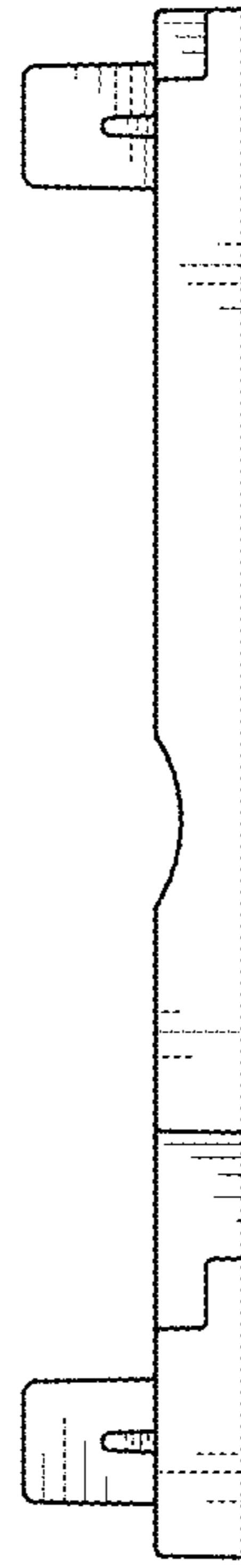


Fig. 5

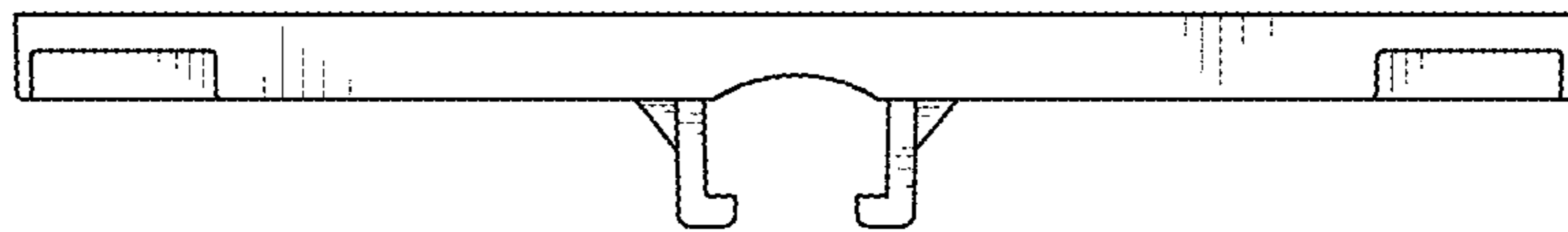


Fig. 6

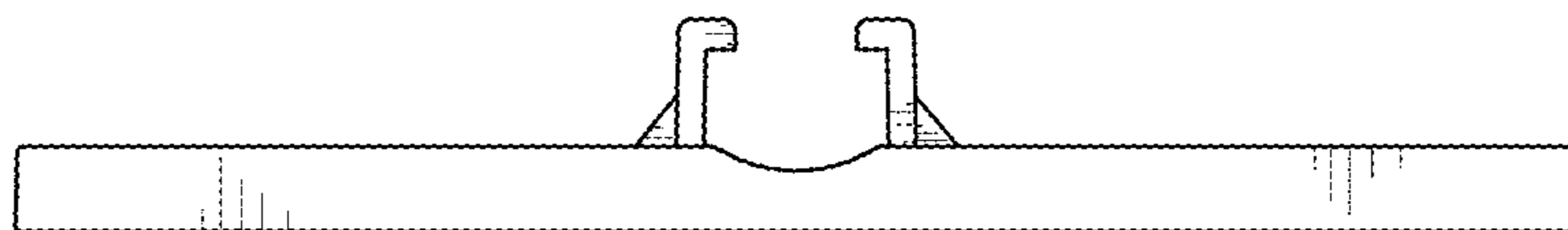


Fig. 7

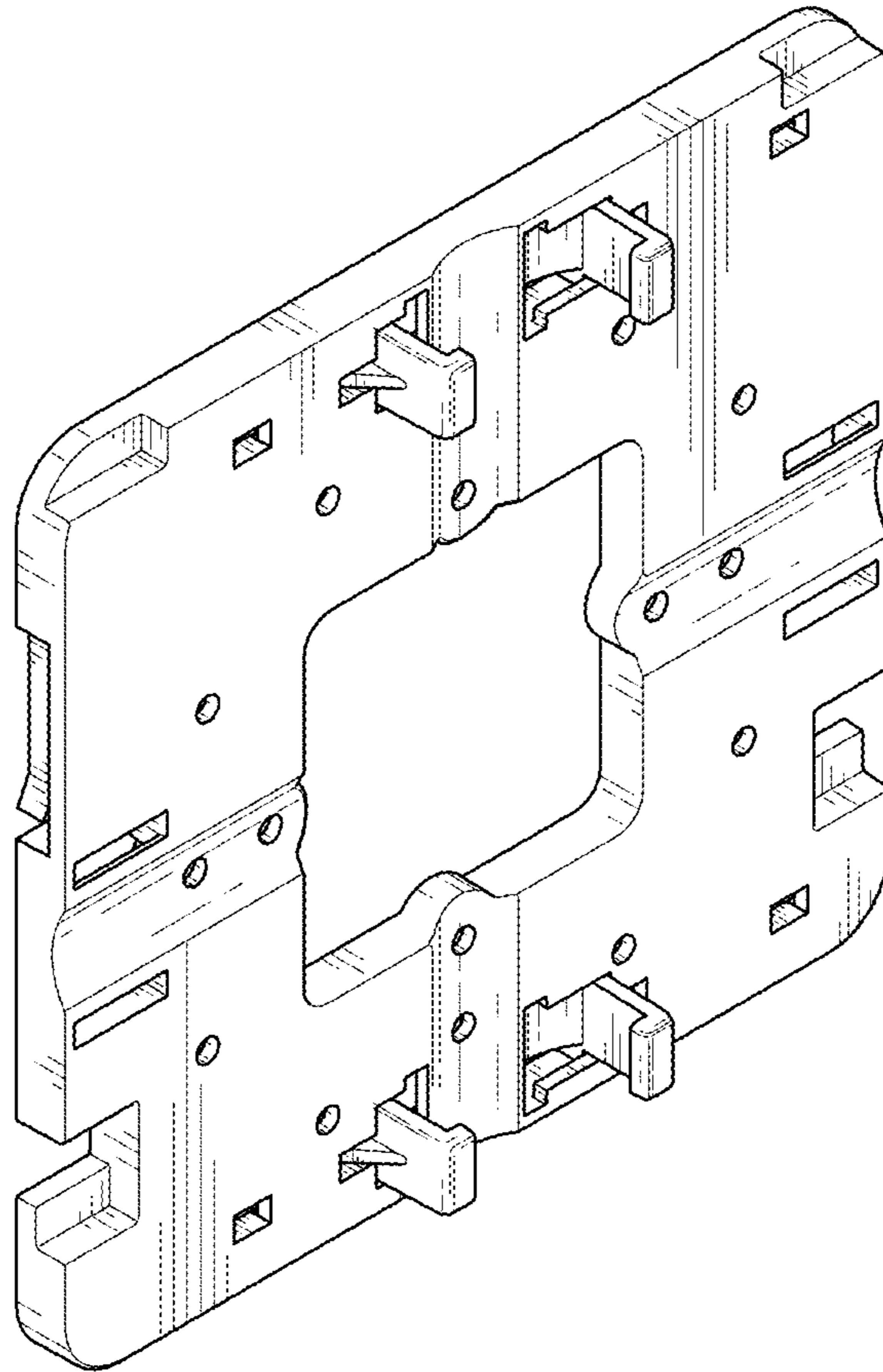


Fig. 8

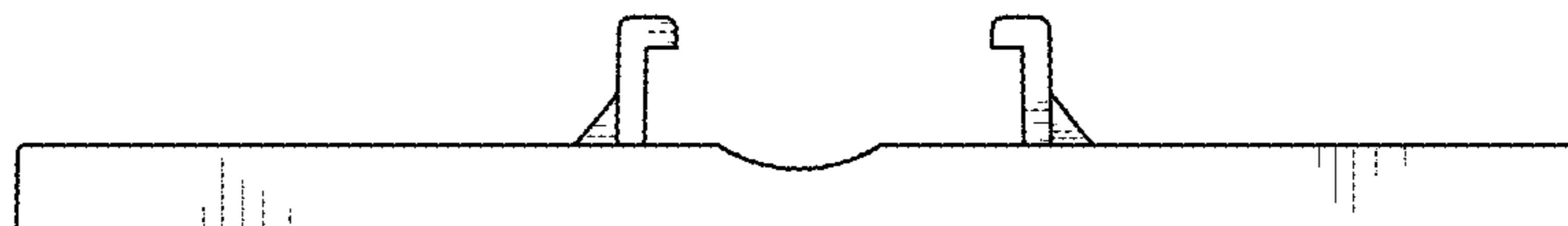


Fig. 9