



US00D813646S

(12) **United States Design Patent**
Krall

(10) **Patent No.:** **US D813,646 S**

(45) **Date of Patent:** **** Mar. 27, 2018**

(54) **GATE LOCK**

(71) Applicant: **Michael Krall**, New Berlin, IL (US)

(72) Inventor: **Michael Krall**, New Berlin, IL (US)

(**) Term: **15 Years**

(21) Appl. No.: **29/572,011**

(22) Filed: **Jul. 24, 2016**

(51) **LOC (11) Cl.** **08-07**

(52) **U.S. Cl.**
USPC **D8/343**

(58) **Field of Classification Search**
USPC D12/15, 406, 400, 414.1, 162, 223;
D8/330, 336, 343, 344, 331, 339-342,
D8/349, 367, 400, 363, 354, 499;
D25/38.1, 35, 41.1, 43, 48.5, 119
CPC B62D 33/03; B62D 33/037; B65F 3/00;
B60P 1/003; B60P 1/26; E05B 83/08;
E05B 79/12; B60J 5/108; Y10T
403/32951

See application file for complete search history.

(56) **References Cited**

U.S. PATENT DOCUMENTS

67,892 A * 8/1867 Lynch B60P 1/26
296/56

2,261,099 A * 10/1941 Fairbanks B60P 1/26
296/57.1

2,478,855 A * 8/1949 Adams B60P 1/26
296/52

3,078,121 A * 2/1963 Dempster B62D 33/0273
292/42

3,230,014 A * 1/1966 Mutti B60P 1/26
298/23 B

3,464,729 A * 9/1969 Chambers B60P 1/003
292/218

D291,789 S * 9/1987 Noga D12/414

4,793,114 A * 12/1988 Pacca E06B 1/702
52/204.5

4,848,181 A * 7/1989 Shimbara E05B 79/12
403/161

D307,734 S * 5/1990 Ethridge D12/161

5,333,922 A * 8/1994 Jones E05C 19/004
292/339

D365,019 S * 12/1995 Rich D8/331

D367,809 S * 3/1996 Groves D8/339

5,605,364 A * 2/1997 Shelledy E05C 19/003
292/259 R

5,934,731 A * 8/1999 Routledge B60J 5/108
160/116

6,053,545 A * 4/2000 Asmundson B60P 1/26
292/205

6,192,724 B1 * 2/2001 Vito B60R 25/005
70/202

6,302,491 B1 * 10/2001 Anderson B60P 1/26
298/23 M

6,666,491 B2 * 12/2003 Schrafel B60P 1/26
296/56

(Continued)

Primary Examiner — T. Chase Nelson

Assistant Examiner — Ania Aman

(74) *Attorney, Agent, or Firm* — Law Office of Robert M. Patino

(57) **CLAIM**

The ornamental design for a gate lock, as shown and described.

DESCRIPTION

FIG. 1 is a side perspective view of a gate lock showing my new design;

FIG. 2 is a left side plan view thereof;

FIG. 3 is a right side plan view thereof;

FIG. 4 is a top plan view thereof;

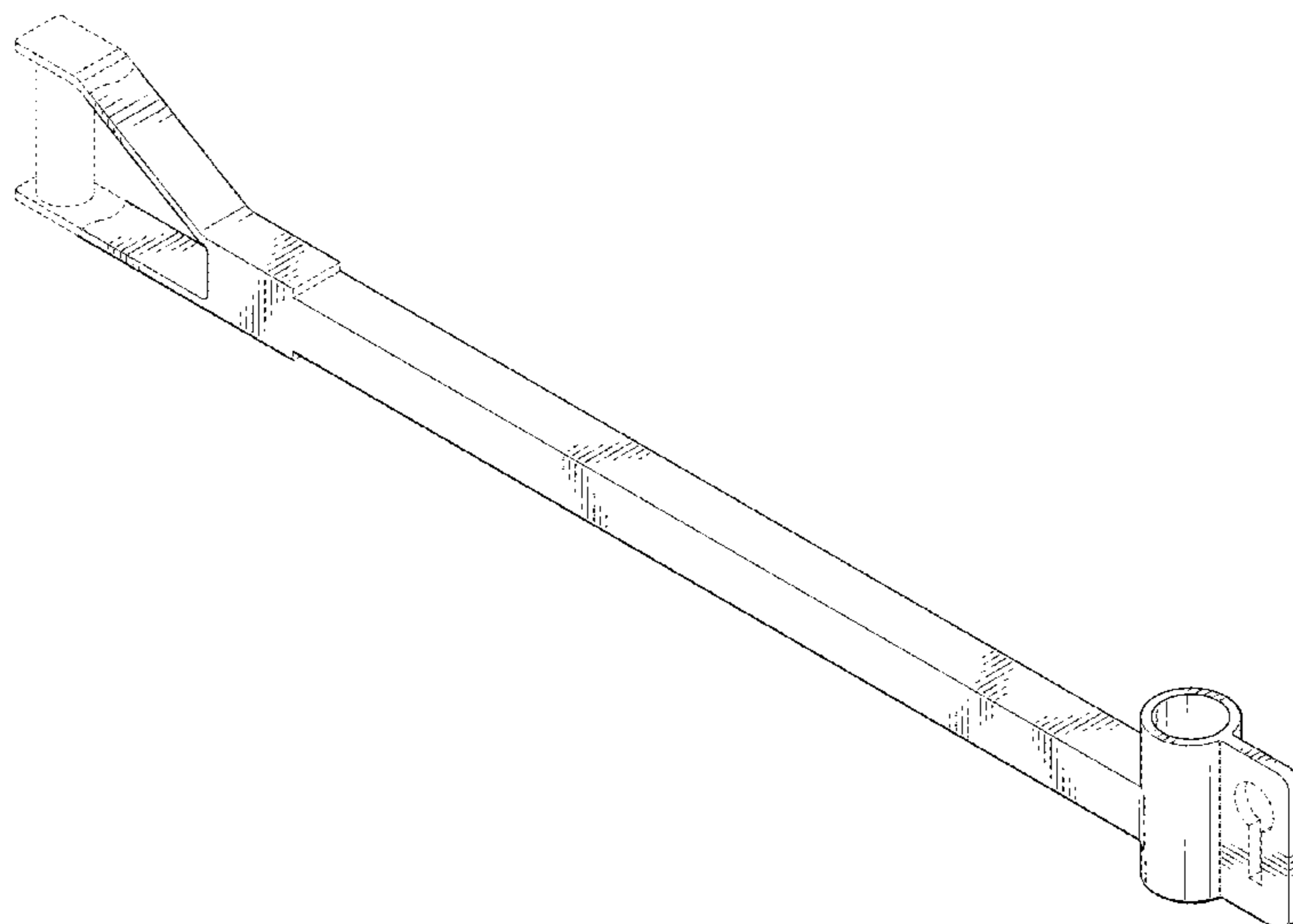
FIG. 5 is a bottom plan view thereof;

FIG. 6 is a rear plan view thereof; and,

FIG. 7 is a front plan view thereof.

In the drawings, the broken lines depict unclaimed subject matter only and form no part of the claimed design.

1 Claim, 3 Drawing Sheets



(56)

References Cited

U.S. PATENT DOCUMENTS

D487,389 S * 3/2004 Doustou, Jr. D8/343
D493,691 S * 8/2004 Vito D8/343
D660,681 S * 5/2012 Giraud D8/330
D795,673 S * 8/2017 Rittman D8/330
2005/0212307 A1* 9/2005 Lane E05B 79/12
292/336.3
2006/0284428 A1* 12/2006 Beadle A01K 1/0017
292/302
2009/0081012 A1* 3/2009 Hafendorfer B60P 1/26
414/387
2010/0148565 A1* 6/2010 Maiorana E05D 7/121
298/7
2013/0300143 A1* 11/2013 Dunn B60R 9/00
296/3
2014/0361597 A1* 12/2014 Kibler B60P 1/26
298/7
2016/0001825 A1* 1/2016 Manlick B60R 13/01
224/403
2017/0361878 A1* 12/2017 Loew B60R 3/02

* cited by examiner

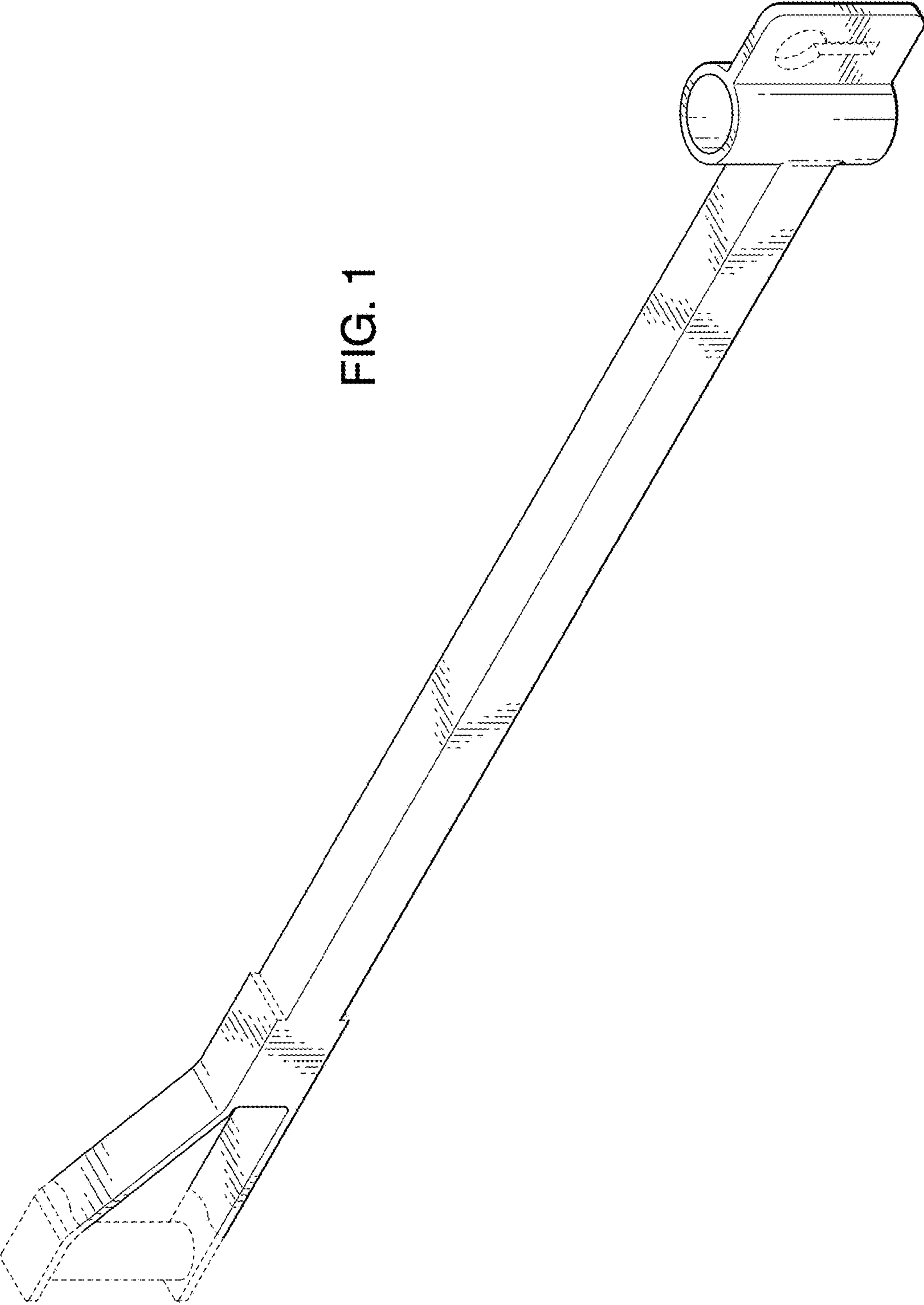


FIG. 1

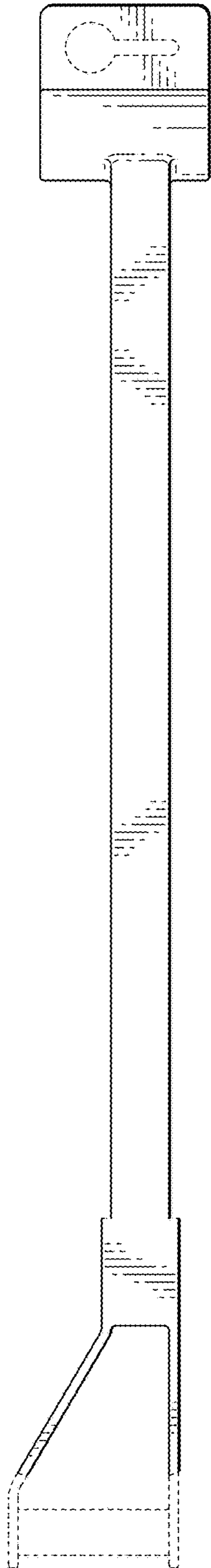


FIG. 2

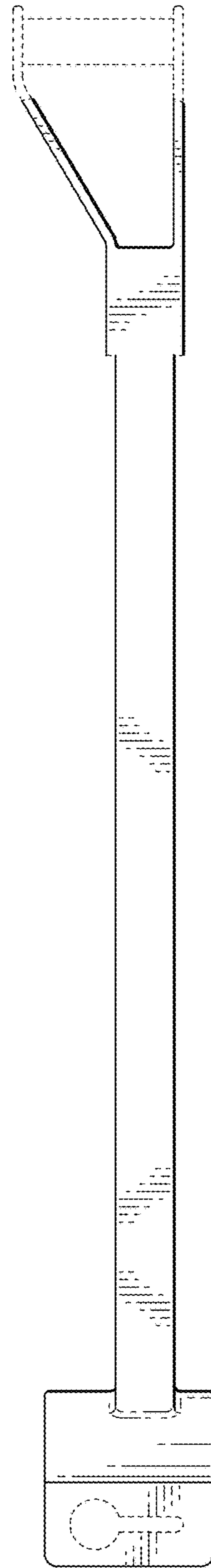


FIG. 3

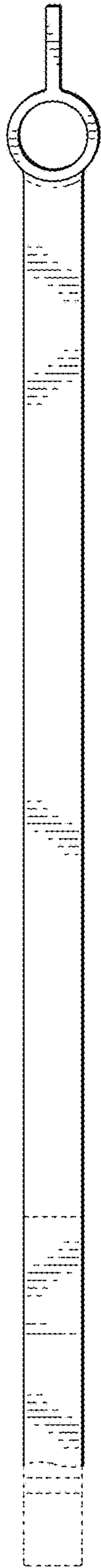


FIG. 4

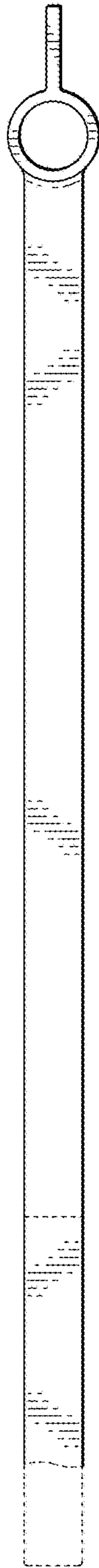


FIG. 5

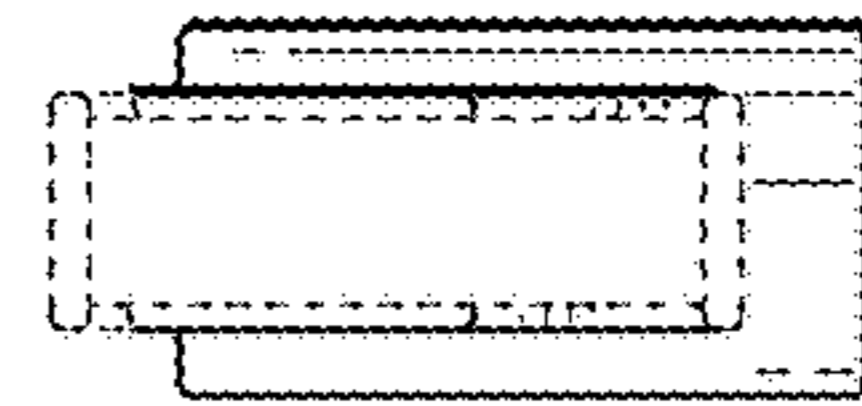


FIG. 6

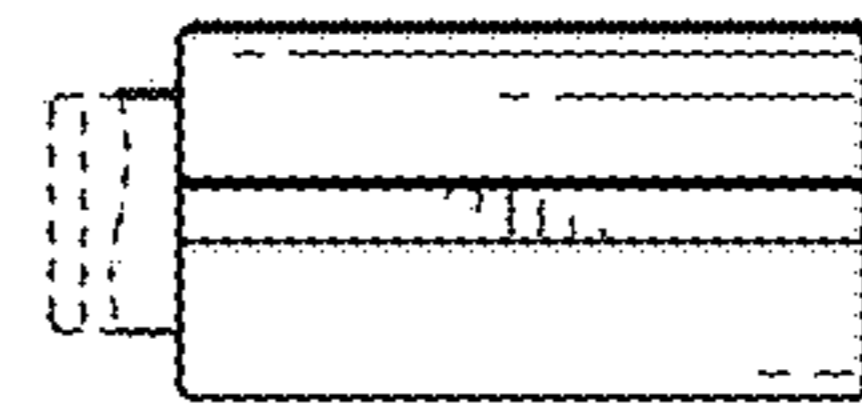


FIG. 7