



US00D813645S

(12) **United States Design Patent**
Nguyen et al.

(10) **Patent No.:** **US D813,645 S**
(45) **Date of Patent:** **** Mar. 27, 2018**

(54) **SMART PADLOCK**
(71) Applicant: **Rynan Technologies PTE. LTD.**,
Singapore (SG)
(72) Inventors: **My T. Nguyen**, Tra Vinh (VN); **Cuong Q. Hong**, Tra Vinh (VN); **Luong V. Truong**, Chau Thanh (VN); **Hien H. Nguyen**, Long My (VN); **Brian D. Nguyen**, Singapore (SG); **Christina M. Nguyen**, San Francisco, CA (US); **Viet Q. Vo**, Tra Vinh (VN)

D461,699 S * 8/2002 Lavikainen D8/334
6,539,761 B2 * 4/2003 Yang E05B 37/0034
70/21
6,877,345 B1 * 4/2005 Misner E05B 35/105
70/25
7,155,944 B1 * 1/2007 Lin E05B 37/0031
70/21
D543,832 S * 6/2007 Tsui D8/334
D683,611 S * 6/2013 Walter D8/334
D695,589 S * 12/2013 Stevens D8/334
D781,131 S * 3/2017 Nguyen D8/334
D789,174 S * 6/2017 Lai D8/334
D790,951 S * 7/2017 Ferreira Sanchez D8/331

(73) Assignee: **Rynan Technologies PTE. LTD.**,
Singapore (SG)

* cited by examiner

(**) Term: **15 Years**

Primary Examiner — Prabhakar Deshmukh

(21) Appl. No.: **29/591,781**

(74) *Attorney, Agent, or Firm* — Lerner, David,
Littenberg, Krumholz & Mentlik, LLP

(22) Filed: **Jan. 24, 2017**

(30) **Foreign Application Priority Data**

Aug. 24, 2016 (CA) 170087

(51) **LOC (11) Cl.** **08-07**

(52) **U.S. Cl.**
USPC **D8/334**

(58) **Field of Classification Search**
USPC D8/300–302, 350, 330, 331, 343, 346,
D8/334; 70/14, 158, 160, 452, 448, 466;
292/348, 350, 357; D11/117, 130, 34;
D9/702, 720; 190/100, 101, 900
CPC E05B 1/0007; E05B 9/00; E05B 17/00;
A45C 5/00; A45C 13/00; A45C 13/002
See application file for complete search history.

(56) **References Cited**

U.S. PATENT DOCUMENTS

3,823,584 A * 7/1974 Gill E05B 67/22
70/21
4,444,029 A * 4/1984 Remington E05B 37/025
70/25

(57) **CLAIM**

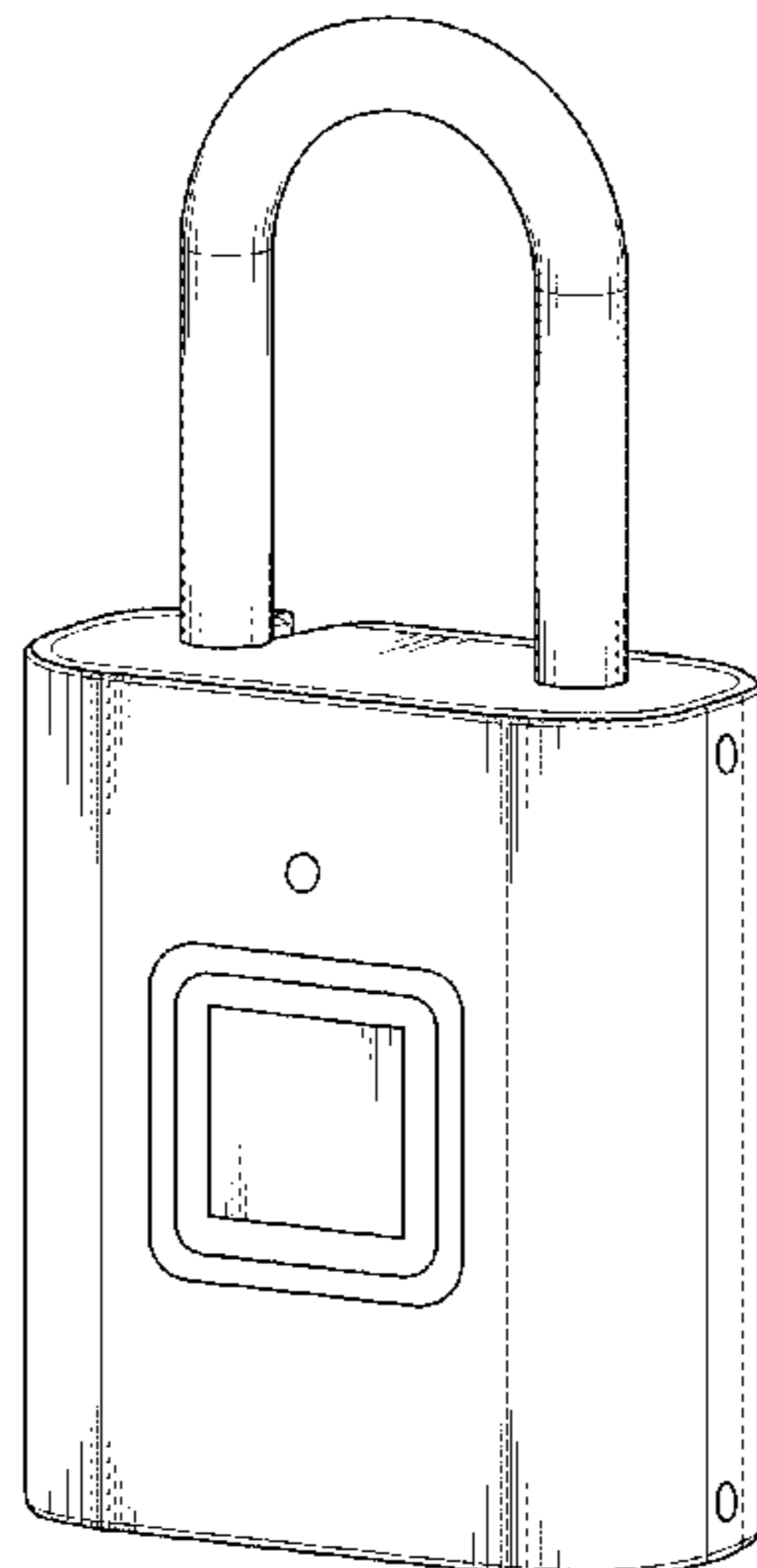
The ornamental design for a smart padlock, as shown and described.

DESCRIPTION

FIG. 1 is a perspective view of a smart padlock according to our design;
FIG. 2 is a top view thereof;
FIG. 3 is a bottom view thereof;
FIG. 4 is a right side view thereof;
FIG. 5 is a left side view thereof;
FIG. 6 is a front view thereof; and,
FIG. 7 is a rear view thereof.

The broken lines shown in the drawings are for the purpose of illustrating environmental structure and form no part of the claimed design.

1 Claim, 6 Drawing Sheets



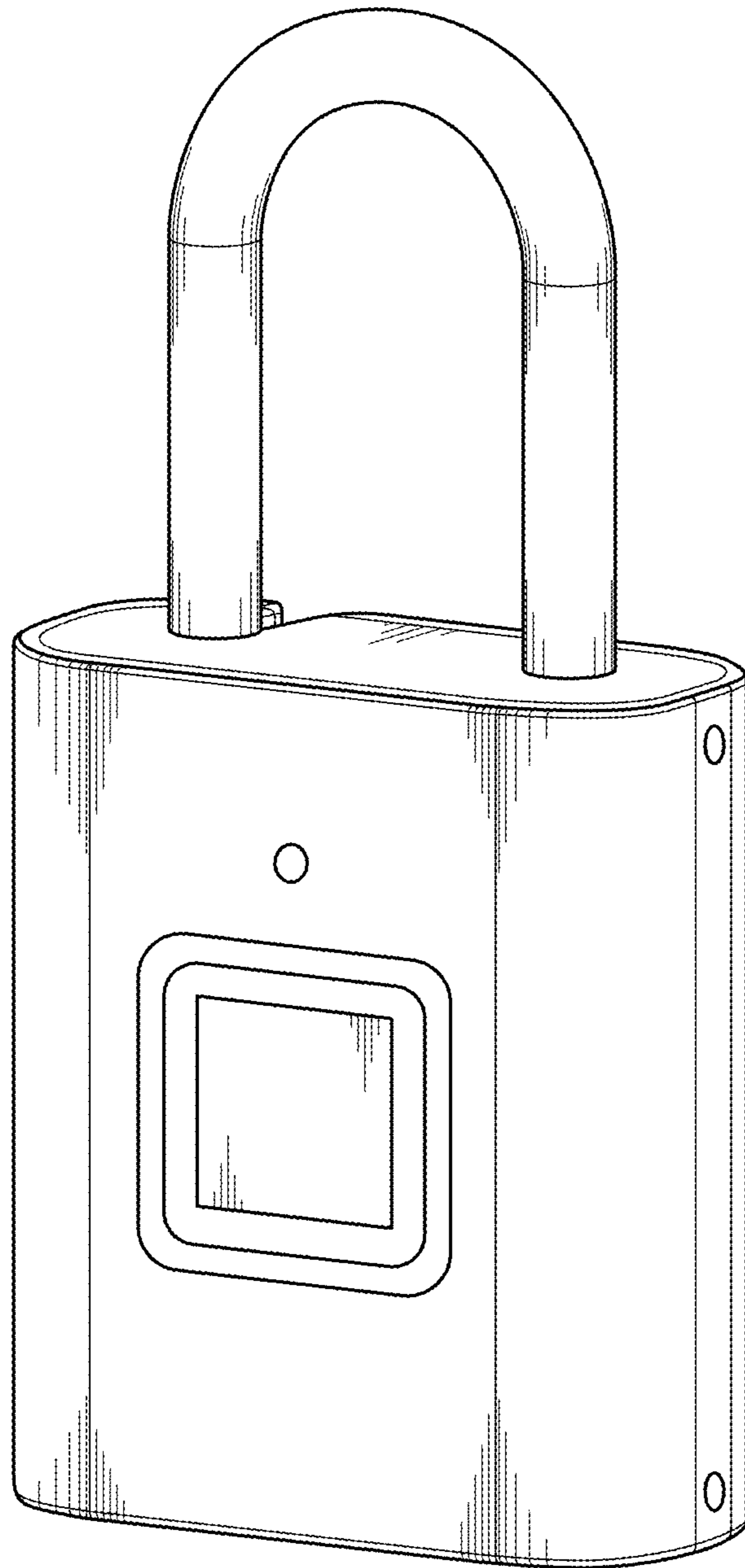


FIG. 1

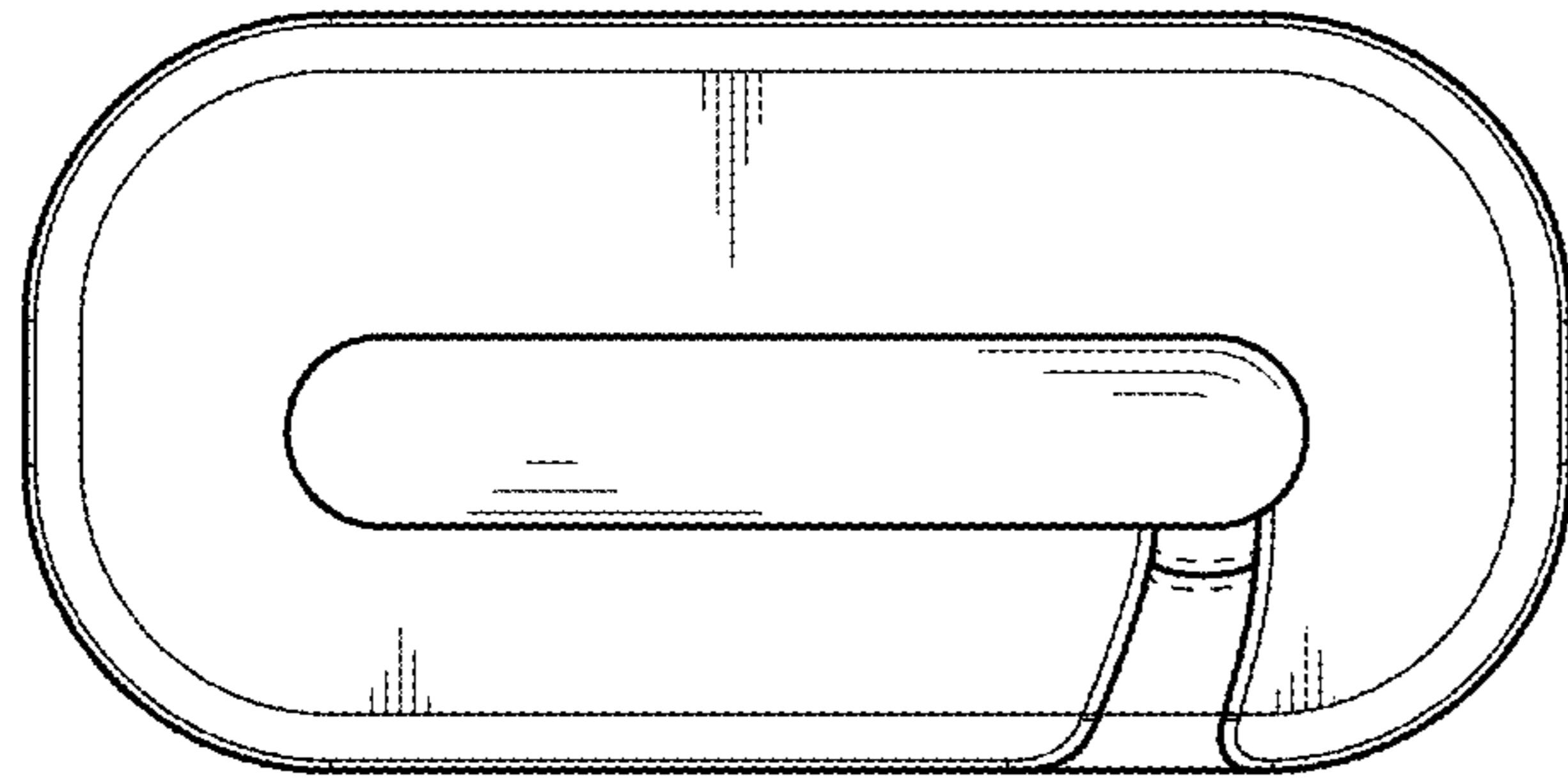


FIG. 2

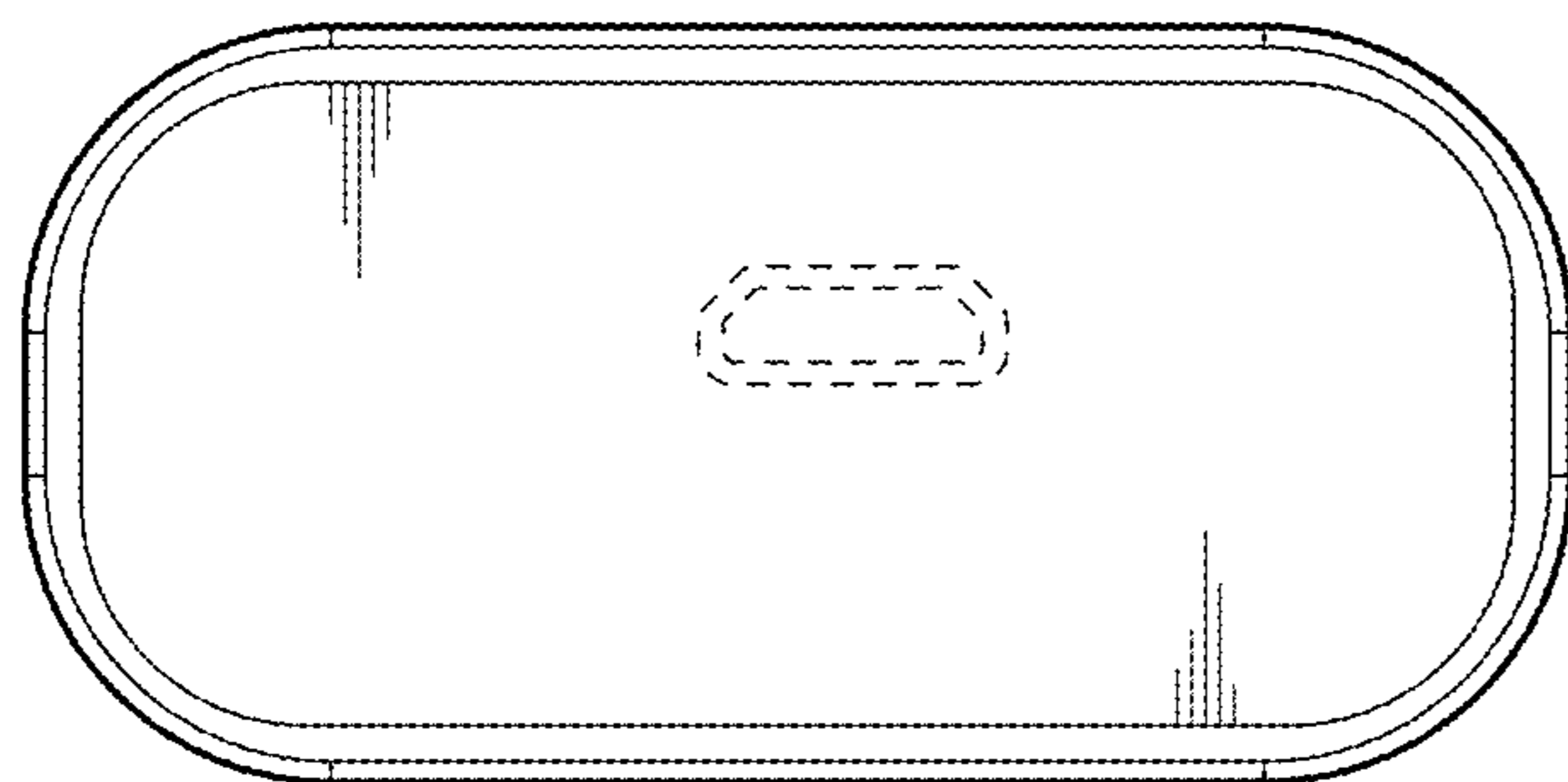


FIG. 3

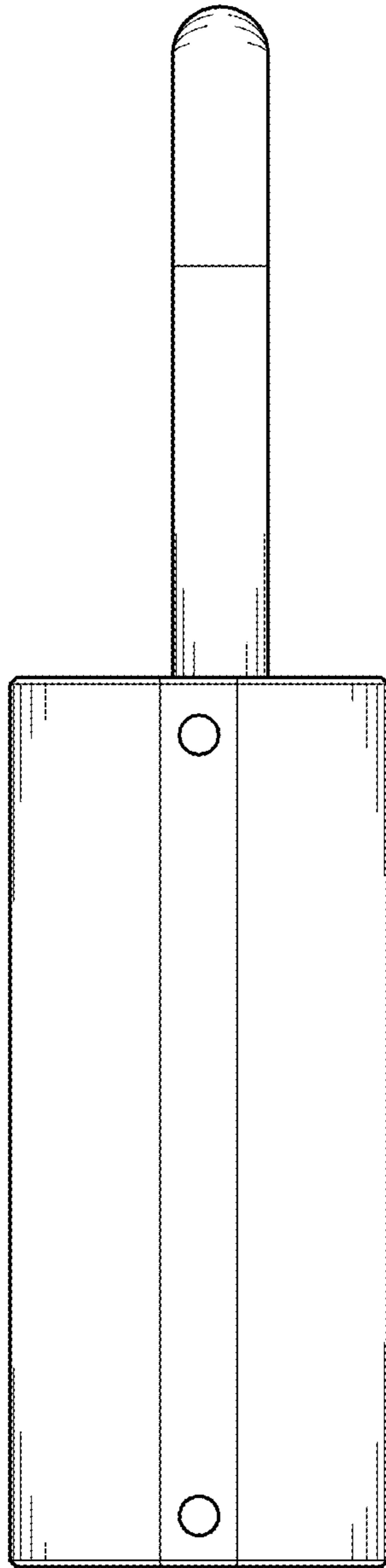


FIG. 4

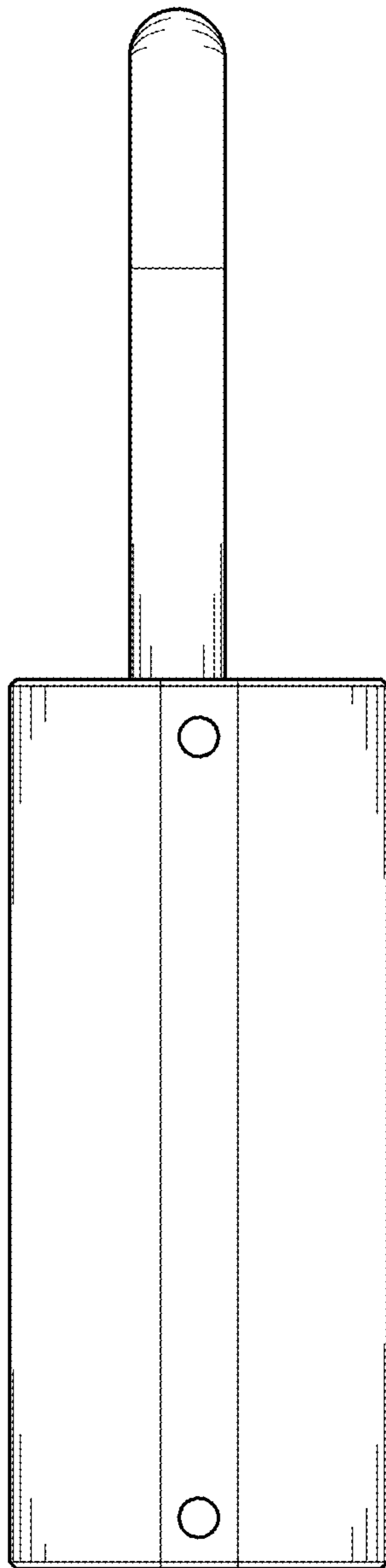


FIG. 5

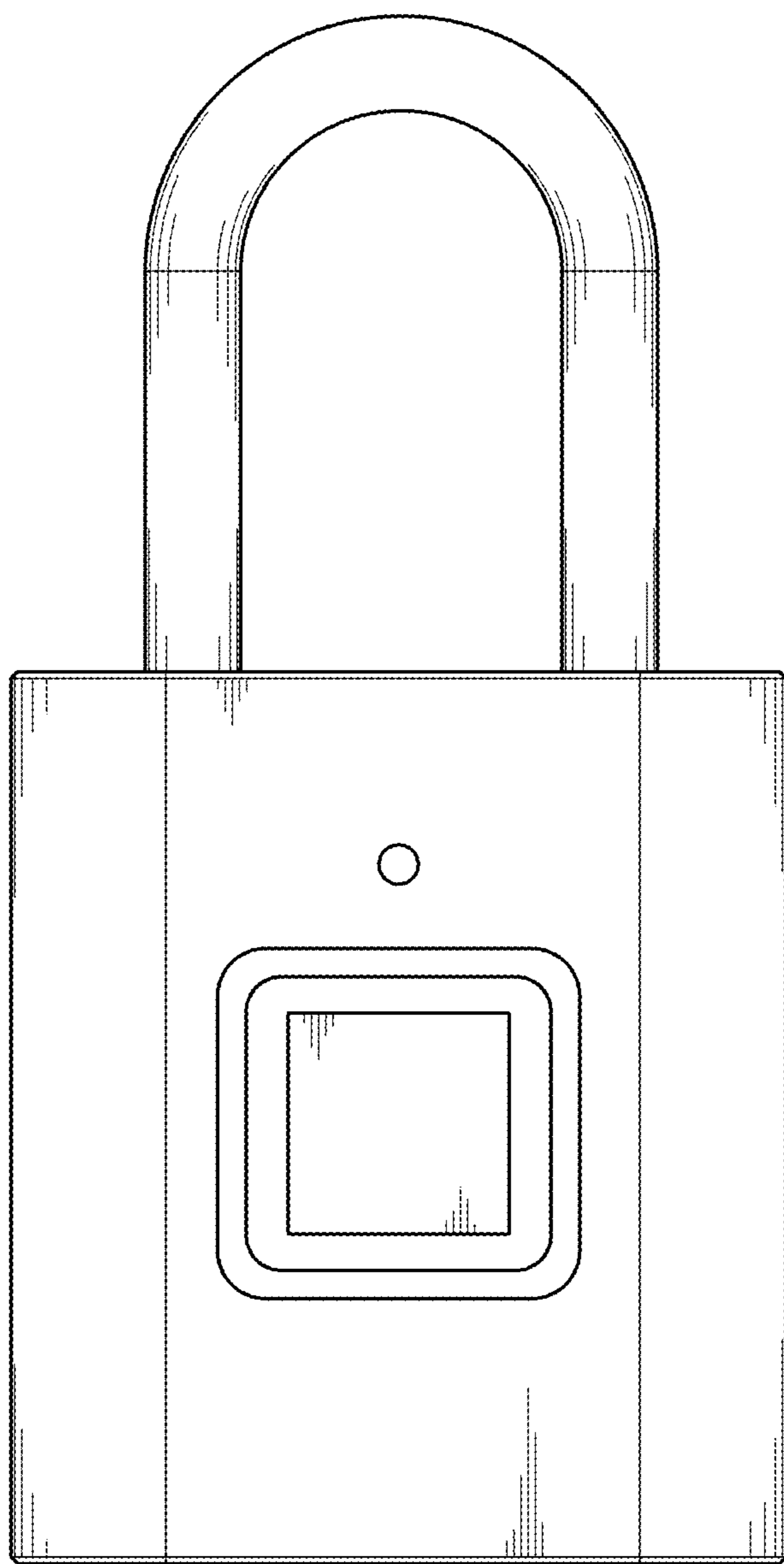


FIG. 6

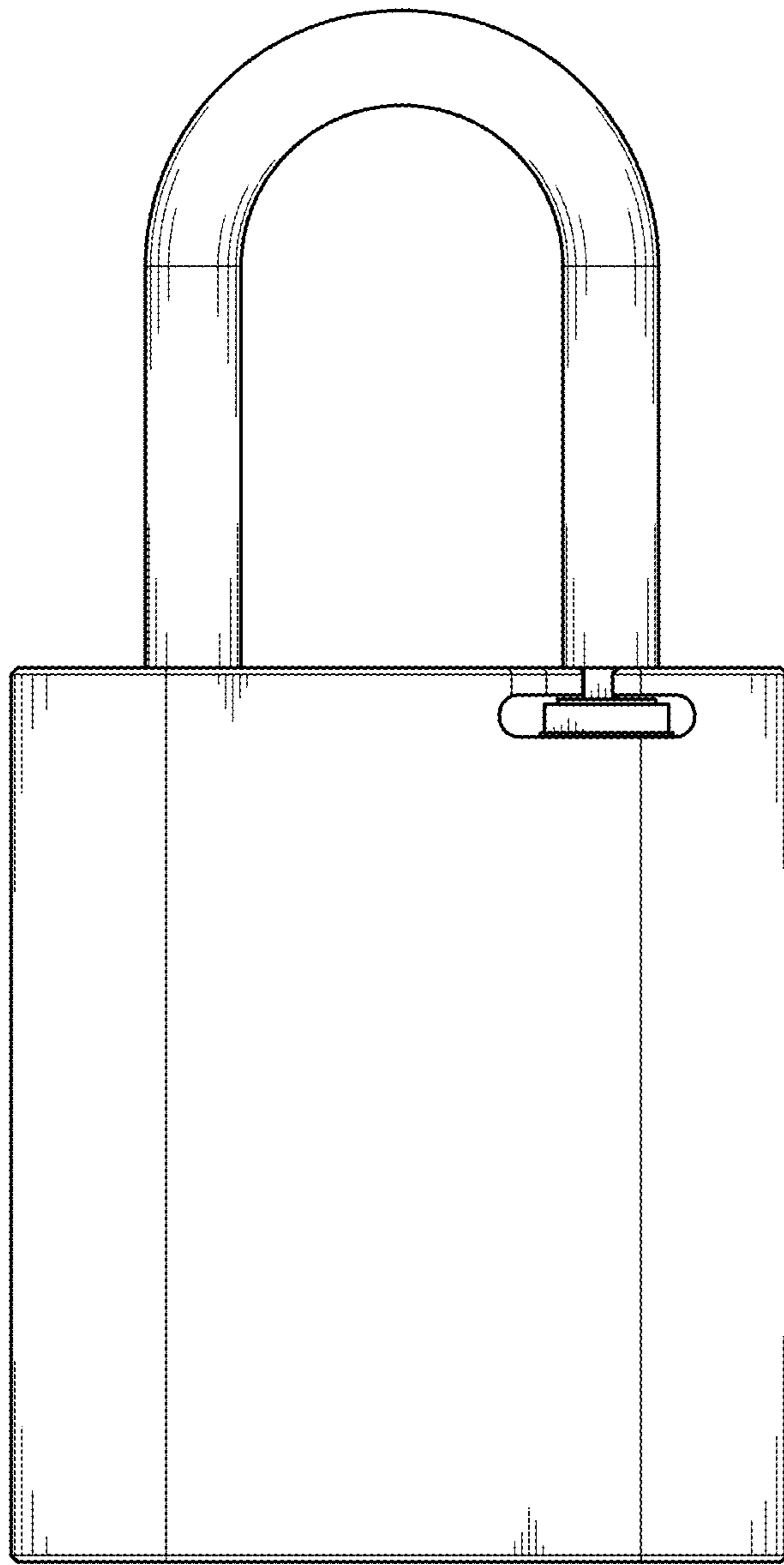


FIG. 7