



US00D813644S

(12) **United States Design Patent**
Finkelstein et al.

(10) **Patent No.:** **US D813,644 S**
(45) **Date of Patent:** **** Mar. 27, 2018**

- (54) **COLD ROOM INTERIOR LATCH**
- (71) Applicant: **Kason Industries, Inc.**, Newnan, GA (US)
- (72) Inventors: **Burl M Finkelstein**, Newnan, GA (US); **Brett A Mitchell**, Newnan, GA (US); **Thomas A Thorsen**, Wedowee, AL (US)
- (73) Assignee: **Kason Industries, Inc.**, Newnan, GA (US)

4,869,086 A * 9/1989 Richards E05B 13/002
70/210
D324,635 S * 3/1992 Weirnerman D8/331
D405,345 S * 2/1999 Hankel D8/331
D513,469 S * 1/2006 Gao D8/350
8,353,188 B1 * 1/2013 Byerly E05B 13/005
292/DIG. 37
D682,656 S * 5/2013 Cramer D8/331
D710,675 S * 8/2014 Kiechel D8/331
D790,950 S * 7/2017 Kraus D8/330
D794,414 S * 8/2017 Chou D8/330
D795,041 S * 8/2017 Oliva Camacho D8/331

* cited by examiner

(**) Term: **15 Years**

Primary Examiner — Prabhakar G Deshmukh

(21) Appl. No.: **29/593,327**

(74) *Attorney, Agent, or Firm* — Baker Donelson; Dorian B. Kennedy

(22) Filed: **Feb. 8, 2017**

(51) **LOC (11) Cl.** **08-07**

(57) **CLAIM**

(52) **U.S. Cl.**
USPC **D8/331; D8/350**

The ornamental design for a cold room interior latch, as shown and described.

(58) **Field of Classification Search**
USPC D8/330, 331, 334, 300, 301, 350; 70/14,
70/20-22, 57, 57.1, 284-286, 314,
70/DIG. 44, 266, 277, 271
CPC E05B 9/00; E05B 9/02; E05B 2009/006;
E05B 49/00
See application file for complete search history.

DESCRIPTION

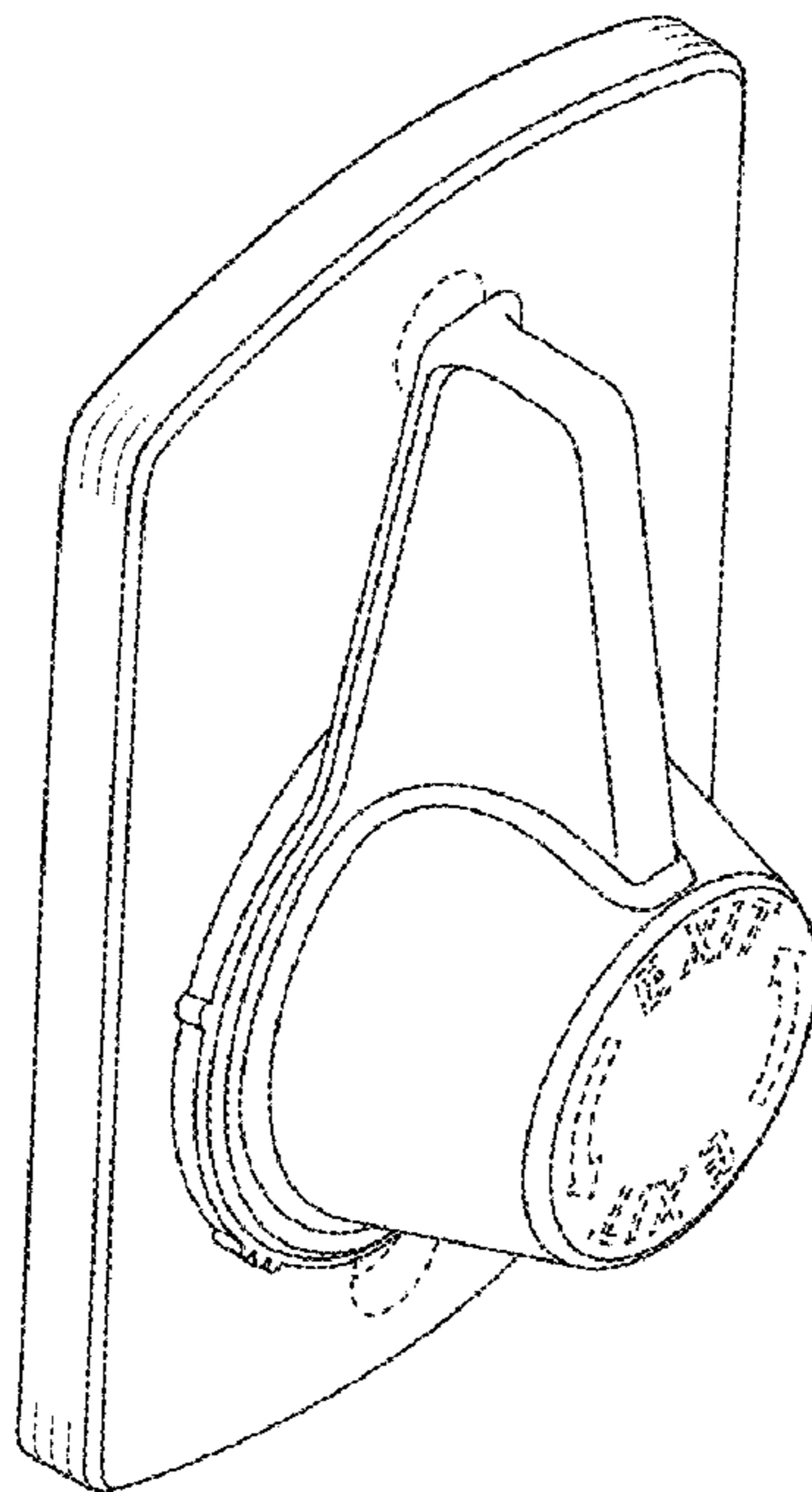
FIG. 1 is a perspective view of a cold room interior latch showing our new design.
FIG. 2 is a top view thereof.
FIG. 3 is a bottom view thereof.
FIG. 4 is a front view thereof.
FIG. 5 is a rear view thereof; and,
FIG. 6 is a left side view thereof, the right side view being a mirror image thereof.
The broken lines depict portions of the cold room interior latch that form no part of the claimed design.

(56) **References Cited**

U.S. PATENT DOCUMENTS

3,041,720 A * 7/1962 Pantas E05B 15/02
428/542.2
4,532,353 A * 7/1985 Chupp C07C 17/12
564/411

1 Claim, 2 Drawing Sheets



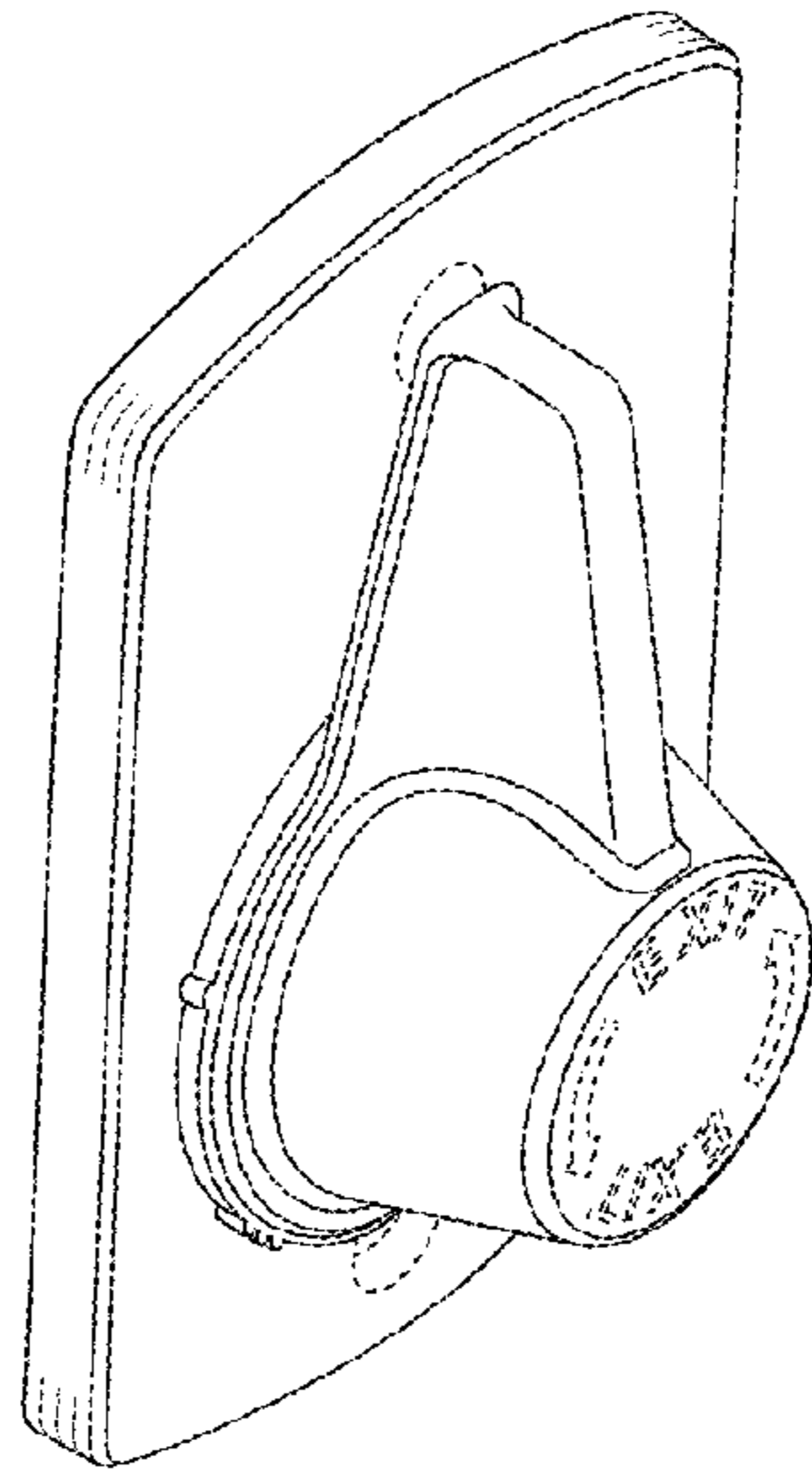


FIG. 1

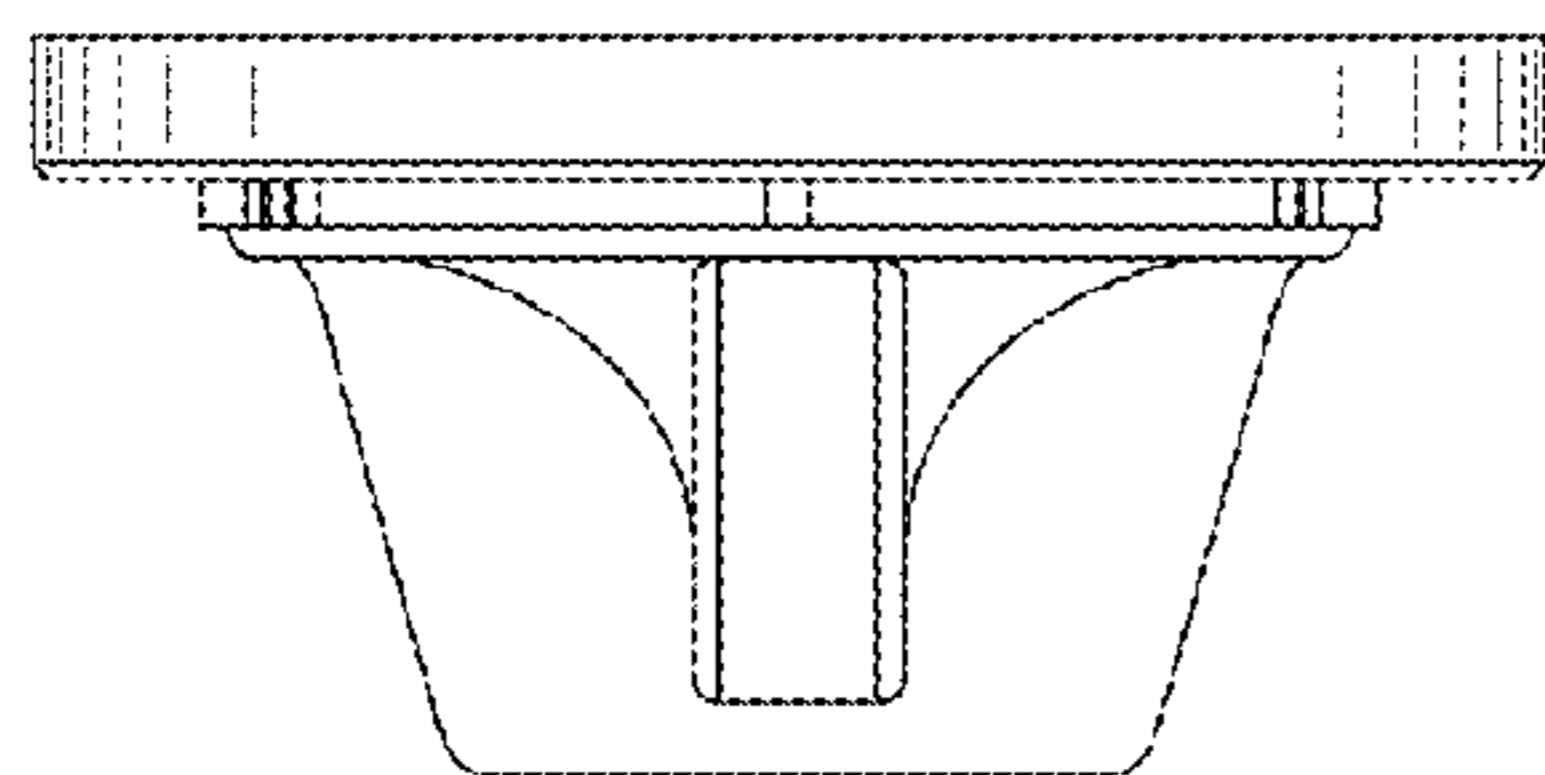


FIG. 2

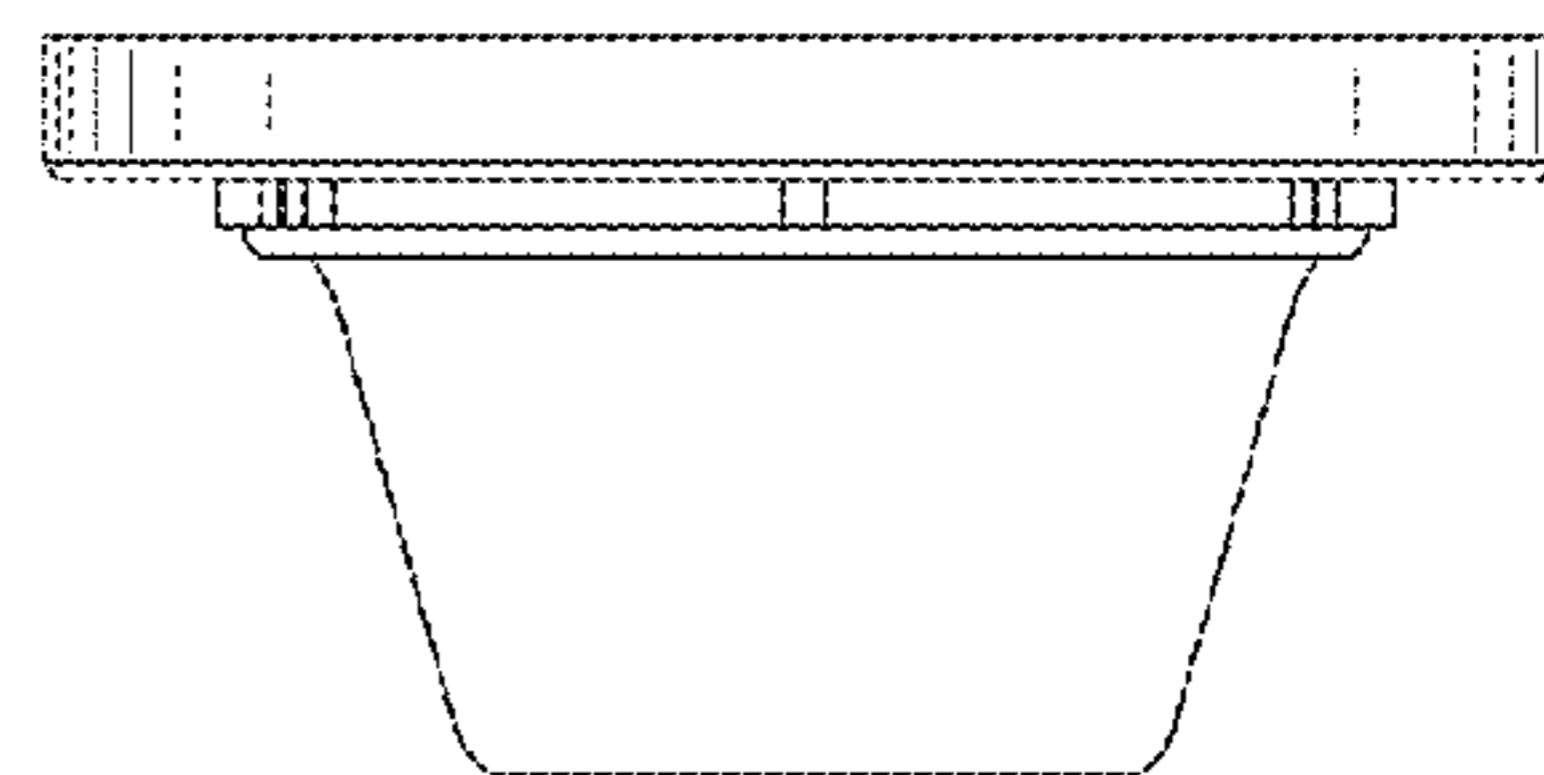


FIG. 3

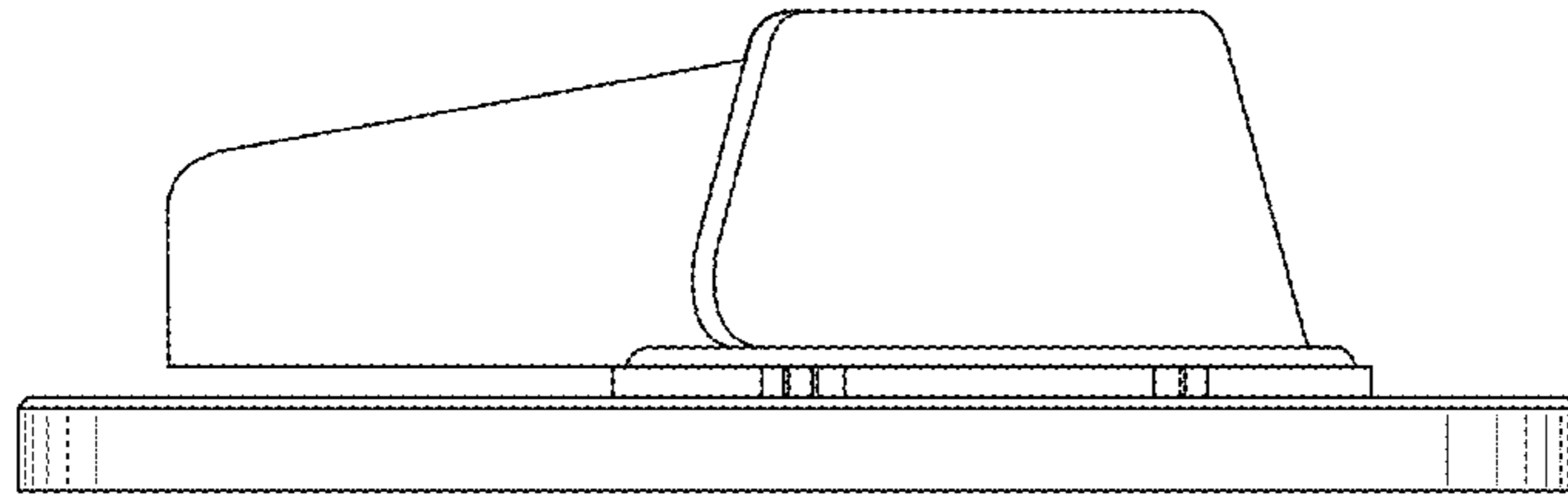


FIG. 6

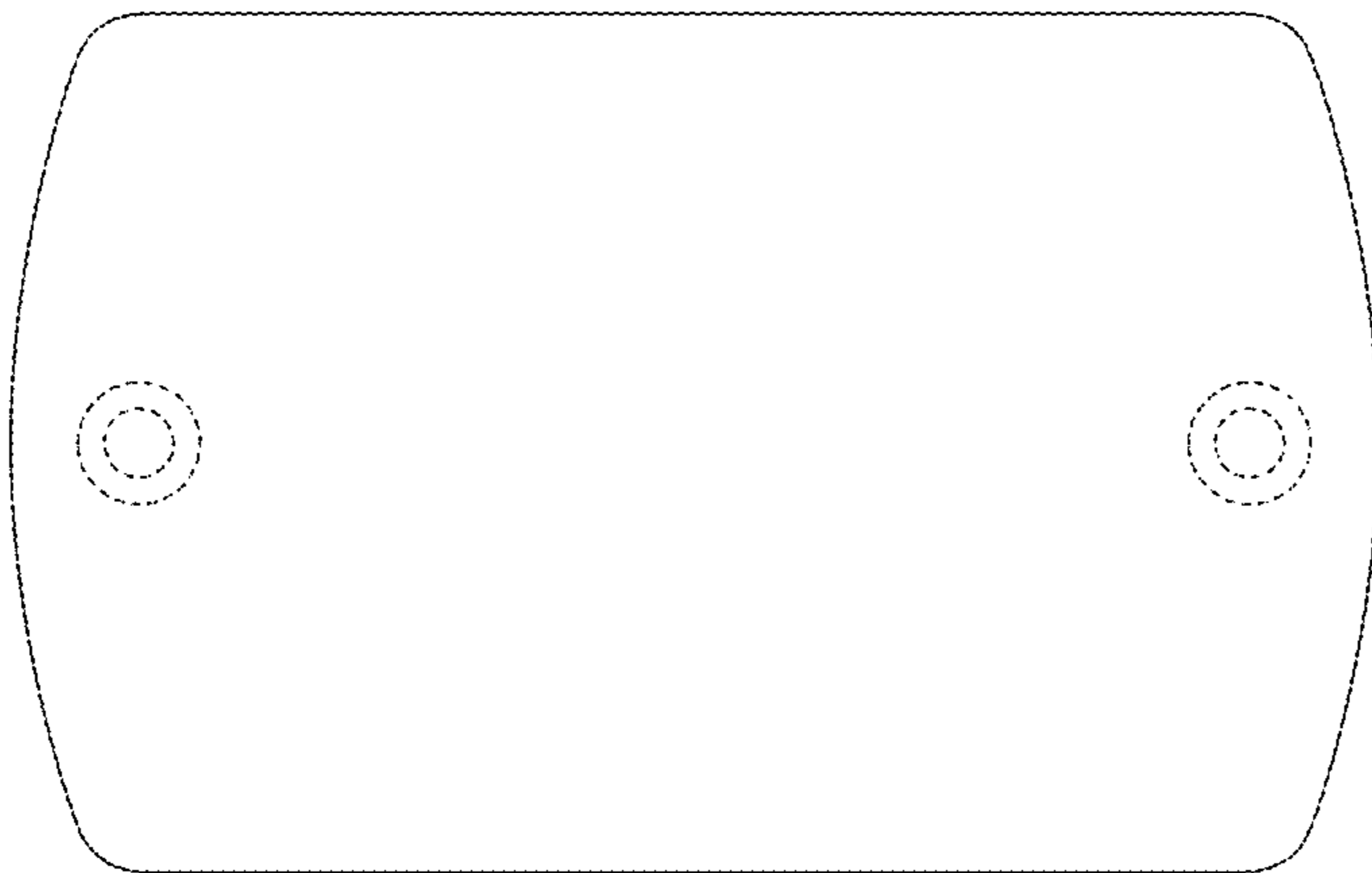


FIG. 5

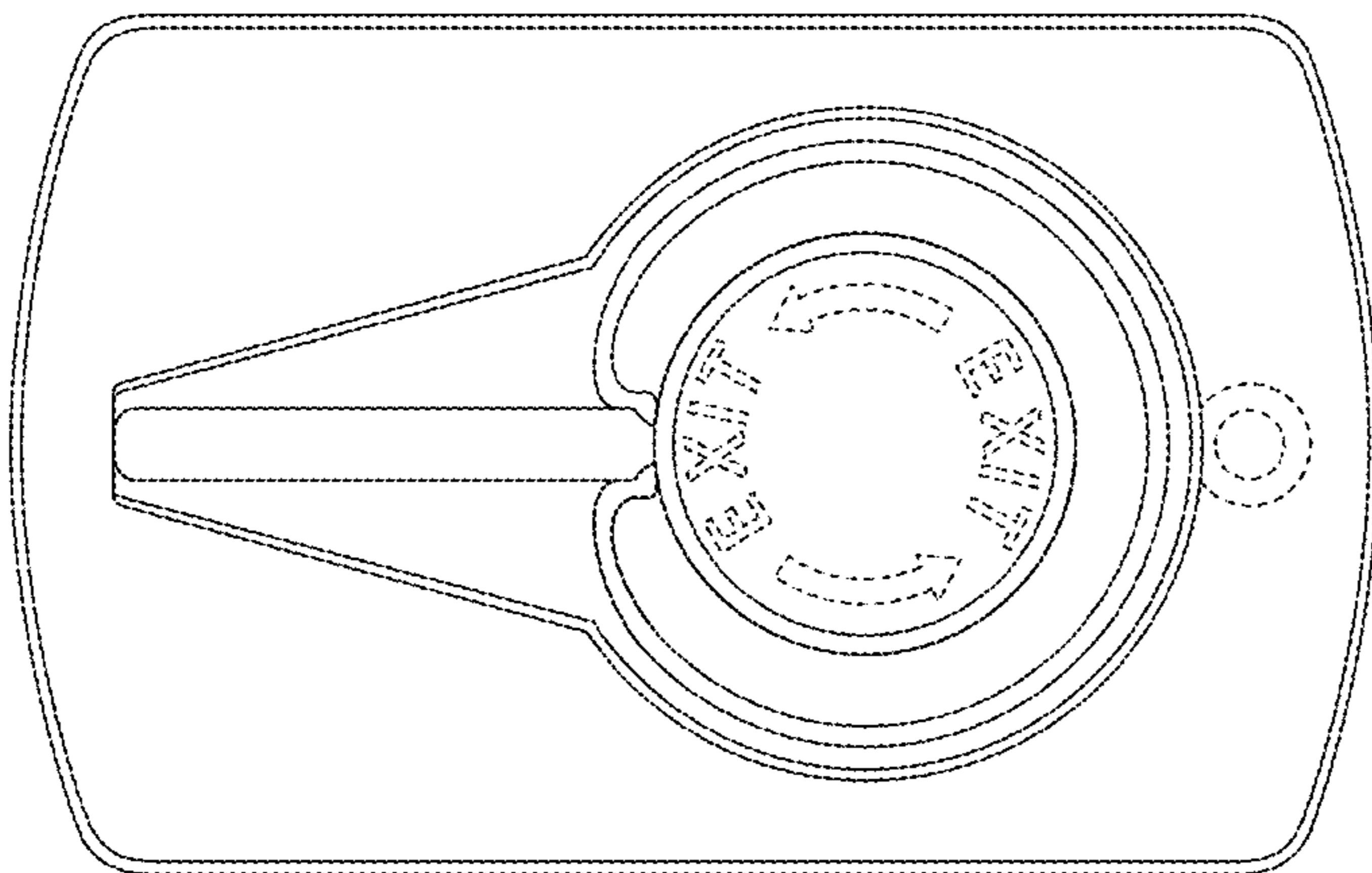


FIG. 4