



US00D813643S

(12) **United States Design Patent**  
**Valencich**

(10) **Patent No.:** **US D813,643 S**  
(45) **Date of Patent:** **\*\* Mar. 27, 2018**

(54) **HANDLESET**  
(71) Applicant: **Spectrum Brands, Inc.**, Middleton, WI (US)

(72) Inventor: **Erinn Valencich**, Beverly Hills, CA (US)

(73) Assignees: **Erinn Valencich**, Beverly Hills, CA (US); **Spectrum Brands, Inc.**, Middleton, WI (US)

(\*\*) Term: **15 Years**

(21) Appl. No.: **29/590,938**

(22) Filed: **Jan. 13, 2017**

(51) **LOC (11) Cl.** ..... **08-07**

(52) **U.S. Cl.**  
USPC ..... **D8/331**; D8/330; D8/302

(58) **Field of Classification Search**  
USPC ..... D8/330, 331, 336, 338, 339, 340, 343; 70/14, 2, 51, 57, 57.1, 91, 107, 141, 214, 70/78, 278, 1, 127, 447; 292/2, 32, 137, 292/288, 289, 290, 292, 194-198, 164, 292/165, 257  
CPC ..... E05B 49/00; E05B 17/00; E05B 55/00; E05B 65/00; E05B 47/00  
See application file for complete search history.

(56) **References Cited**

**U.S. PATENT DOCUMENTS**

3,187,528 A \* 6/1965 Check ..... E05B 37/16 70/288  
4,637,237 A \* 1/1987 Witkoski ..... E05B 37/16 70/129  
6,058,746 A \* 5/2000 Mirshafiee ..... E05B 63/0056 292/39  
D501,634 S \* 2/2005 Denoual ..... D8/302  
7,091,429 B2 \* 8/2006 Case ..... E05B 15/02 200/314

D686,055 S \* 7/2013 Li ..... D8/331  
8,490,443 B2 \* 7/2013 Gokcebay ..... G07C 9/00666 70/214  
8,495,898 B2 \* 7/2013 Gokcebay ..... G07C 9/00666 70/214

(Continued)

**OTHER PUBLICATIONS**

“Nashville Entrance Trim”; Baldwin; disclosure date unknown but prior to filing date of present application; <URL: <http://www.baldwinhardware.com/products/detail/door-hardware/entrance/nashville-entrance-trim-6547-150>>.

(Continued)

*Primary Examiner* — Prabhakar Deshmukh  
(74) *Attorney, Agent, or Firm* — Banner & Witcoff, Ltd.

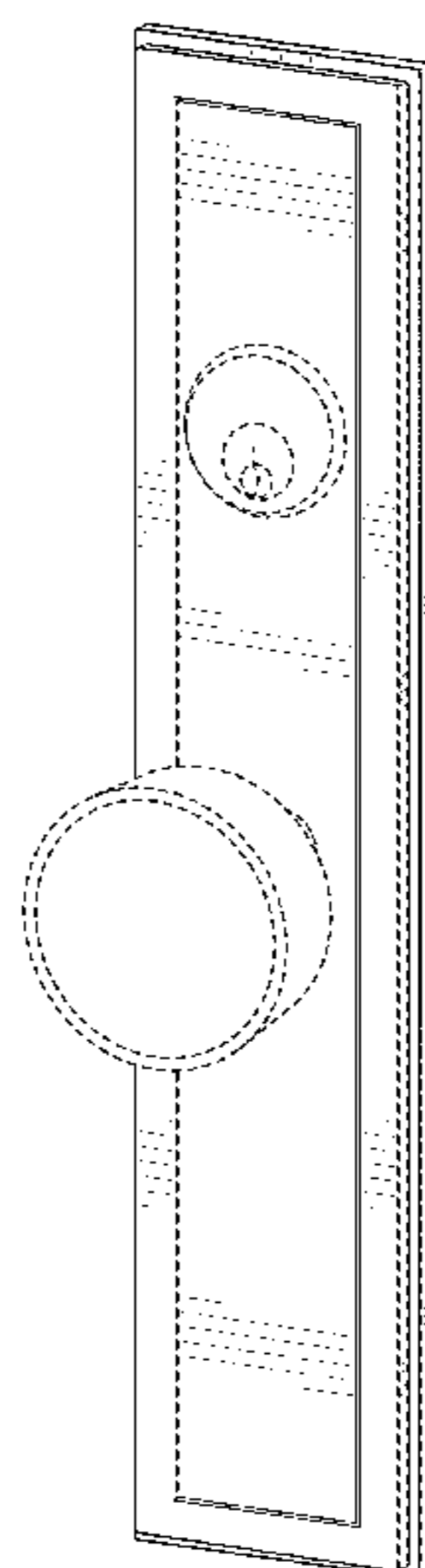
(57) **CLAIM**

The ornamental design for a handleset, as shown and described.

**DESCRIPTION**

FIG. 1 is a front perspective view of a handleset showing my new design;  
FIG. 2 is a front view thereof;  
FIG. 3 is a left side view thereof;  
FIG. 4 is a right side view thereof;  
FIG. 5 is a top view thereof;  
FIG. 6 is a bottom view thereof;  
FIG. 7 is a front perspective view of an alternative embodiment showing my new design;  
FIG. 8 is a front view thereof;  
FIG. 9 is a right side view thereof;  
FIG. 10 is a left side view thereof;  
FIG. 11 is a top view thereof; and,  
FIG. 12 is a bottom view thereof.  
The broken line showing of the circular lock region and keyway and of the knob of the handleset represents unclaimed subject matter and forms no part of the claimed design.

**1 Claim, 10 Drawing Sheets**



(56)

**References Cited**

U.S. PATENT DOCUMENTS

8,616,031 B2 \* 12/2013 Ullrich ..... E05B 65/462  
70/278.7  
D731,286 S \* 6/2015 Gokcebay ..... D8/330  
D752,947 S \* 4/2016 Gokcebay ..... D8/330  
D756,749 S \* 5/2016 Lu ..... D8/331  
D778,708 S \* 2/2017 Jeng ..... D8/330

OTHER PUBLICATIONS

“Reading Entrance Trim”; Baldwin; disclosure date unknown but prior to filing date of present application; <URL: <http://www.baldwinhardware.com/products/detail/door-hardware/entrance/reading-entrance-trim-6551-150>>.

\* cited by examiner

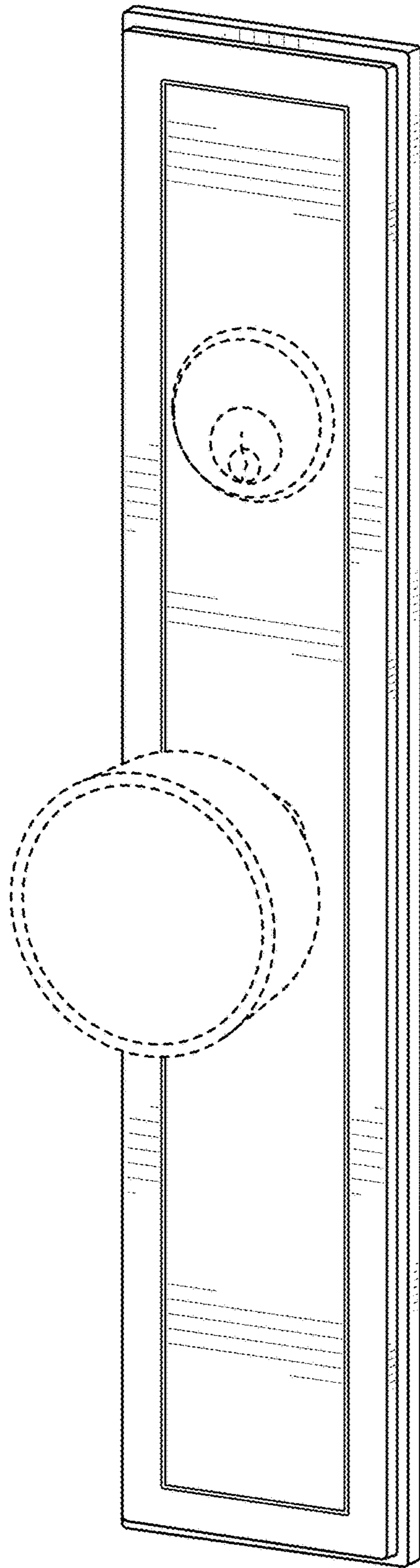


FIG. 1

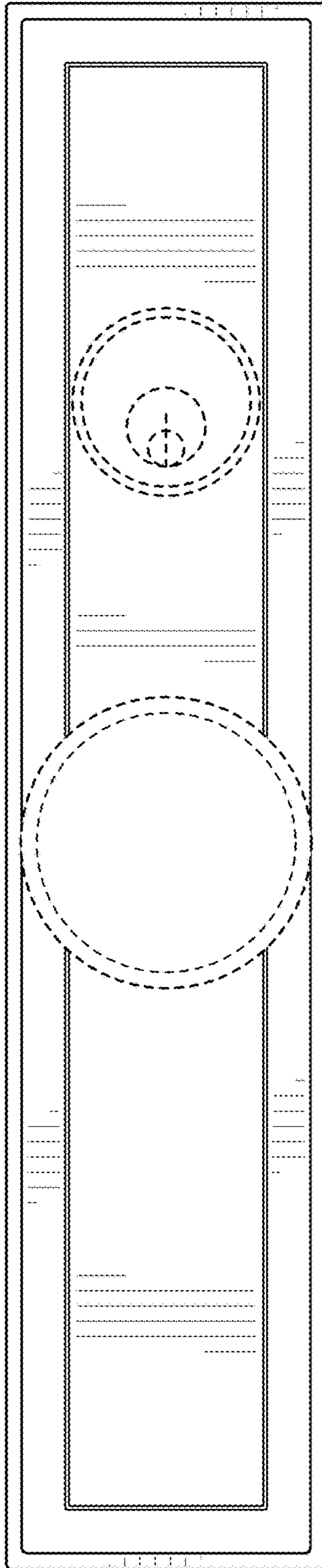


FIG. 2

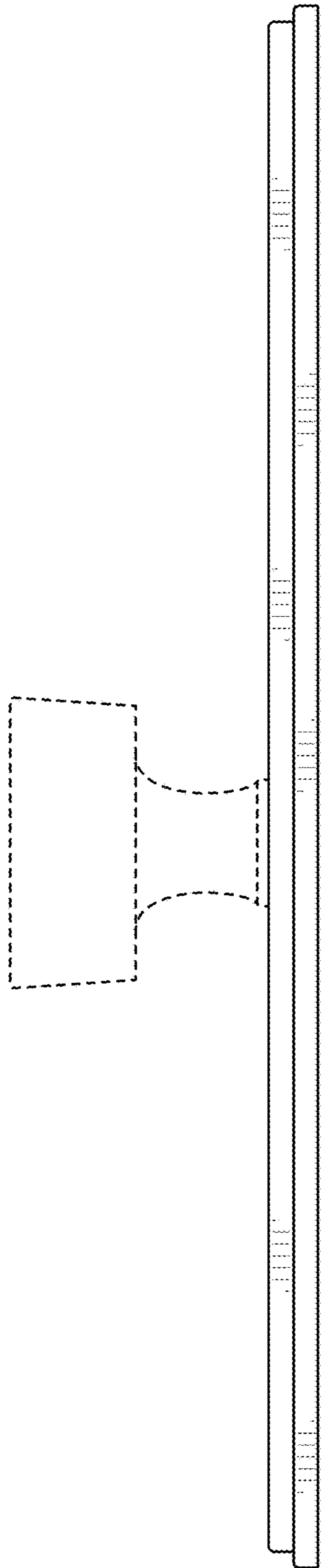


FIG. 3

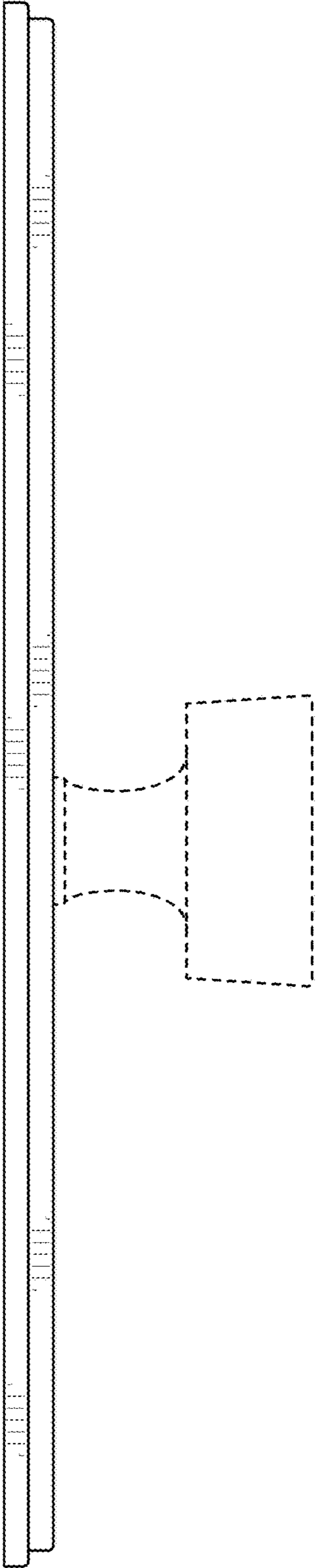


FIG. 4

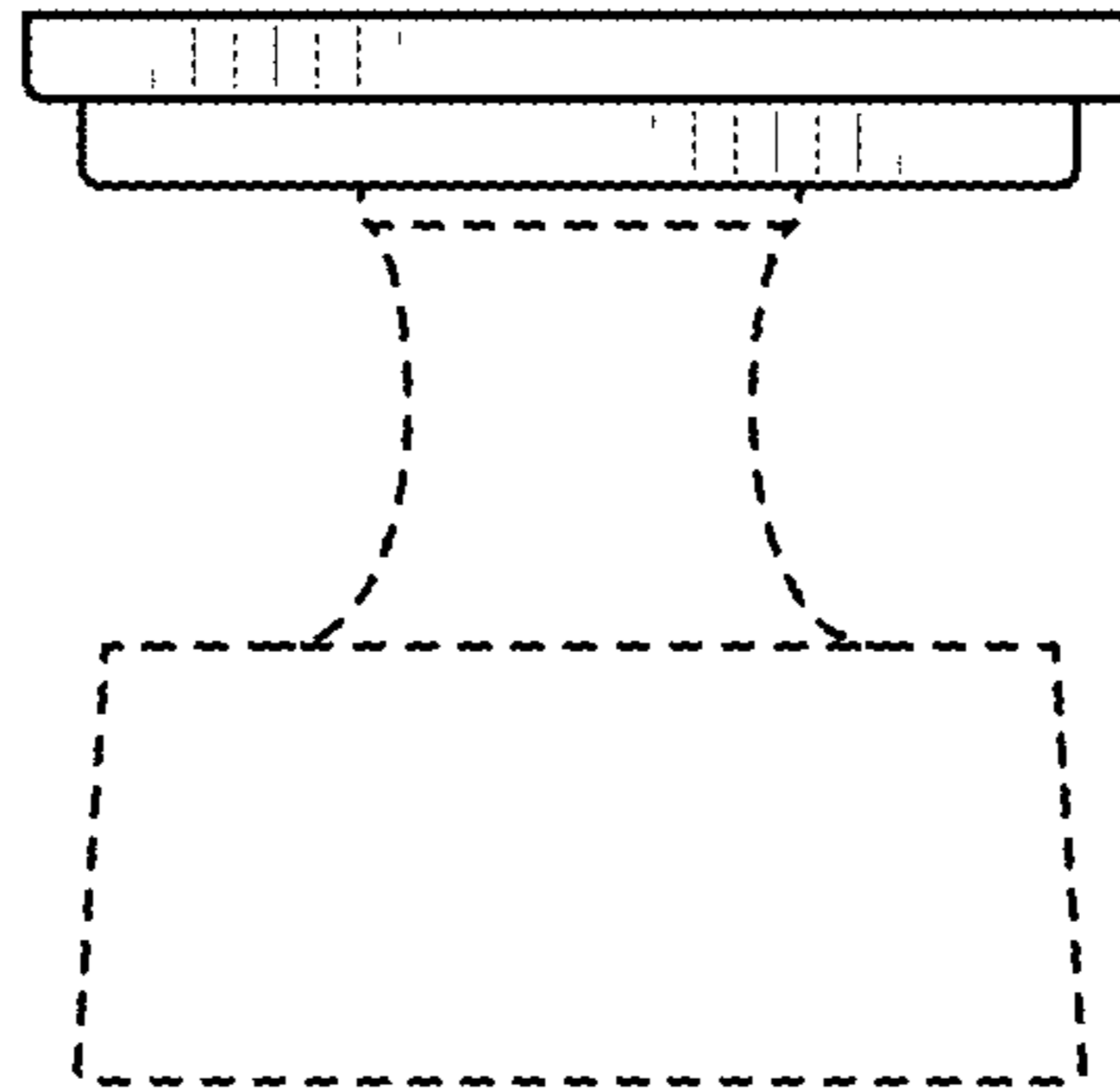


FIG. 5

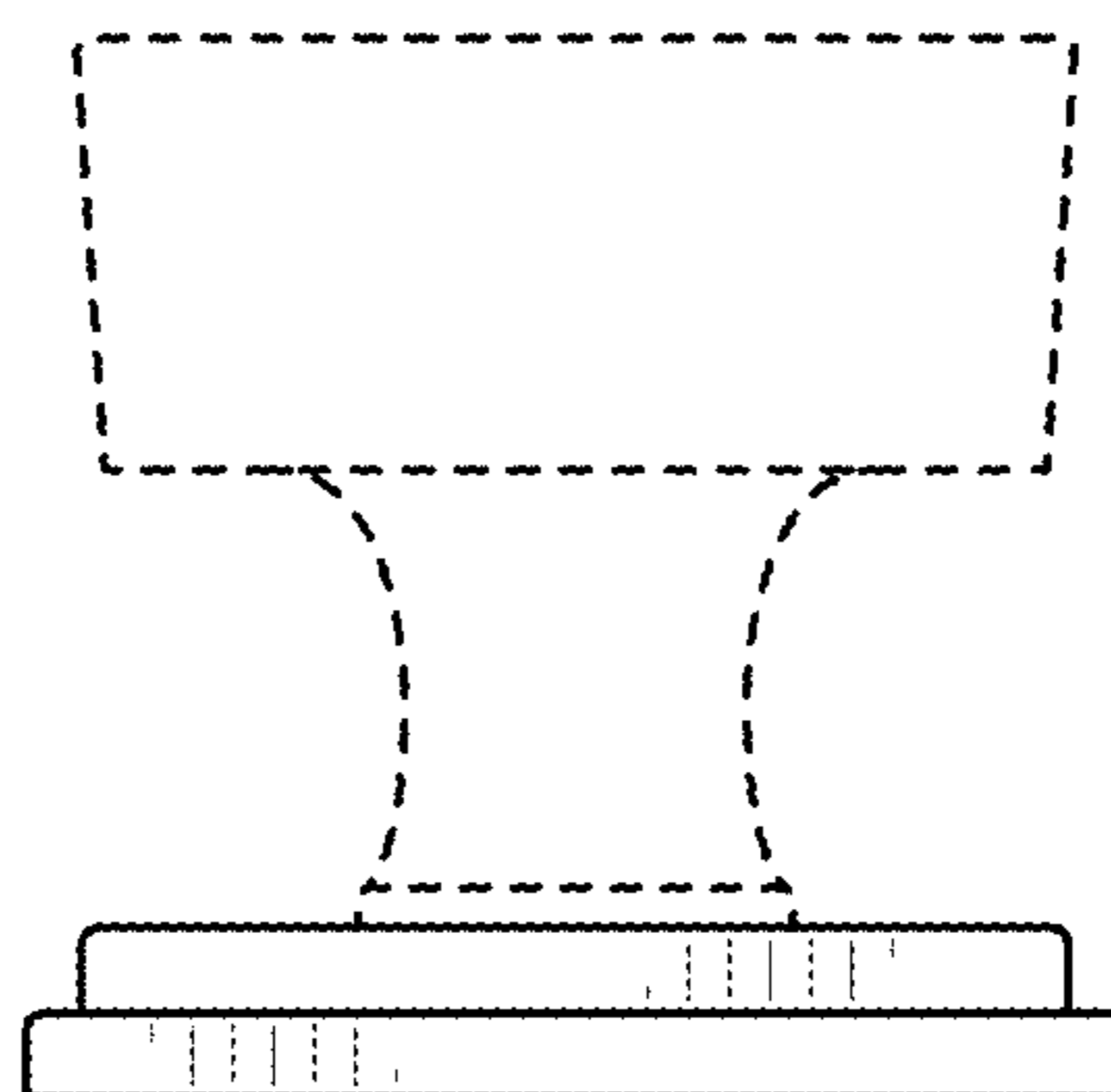


FIG. 6



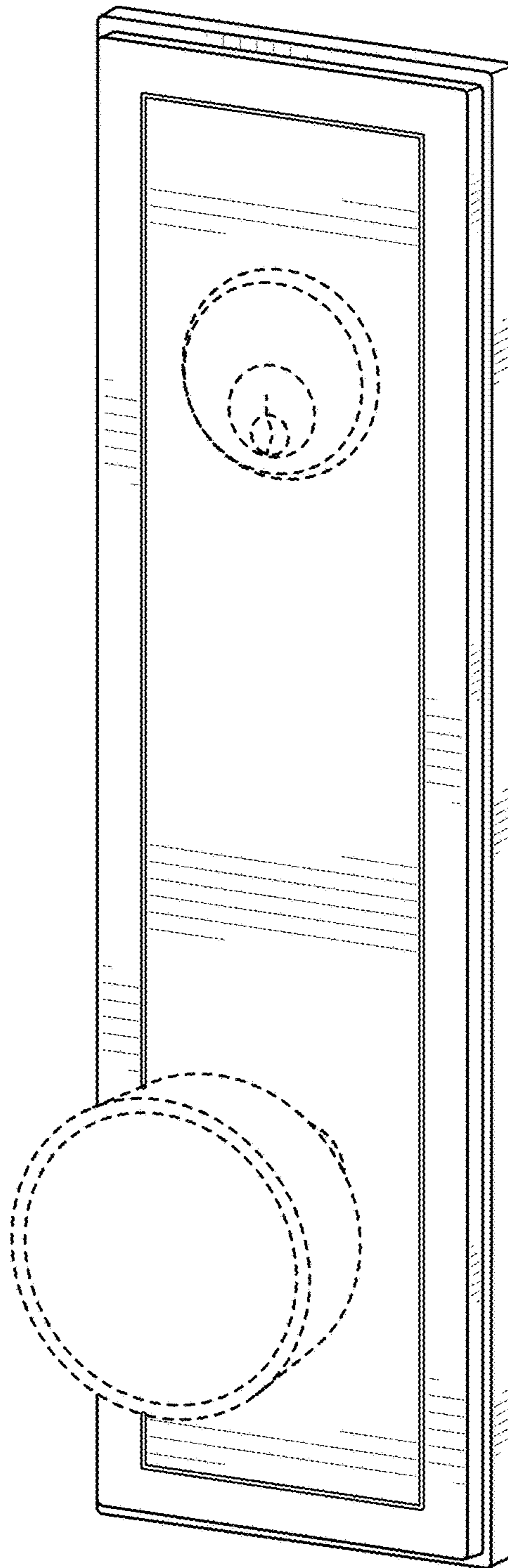


FIG. 7



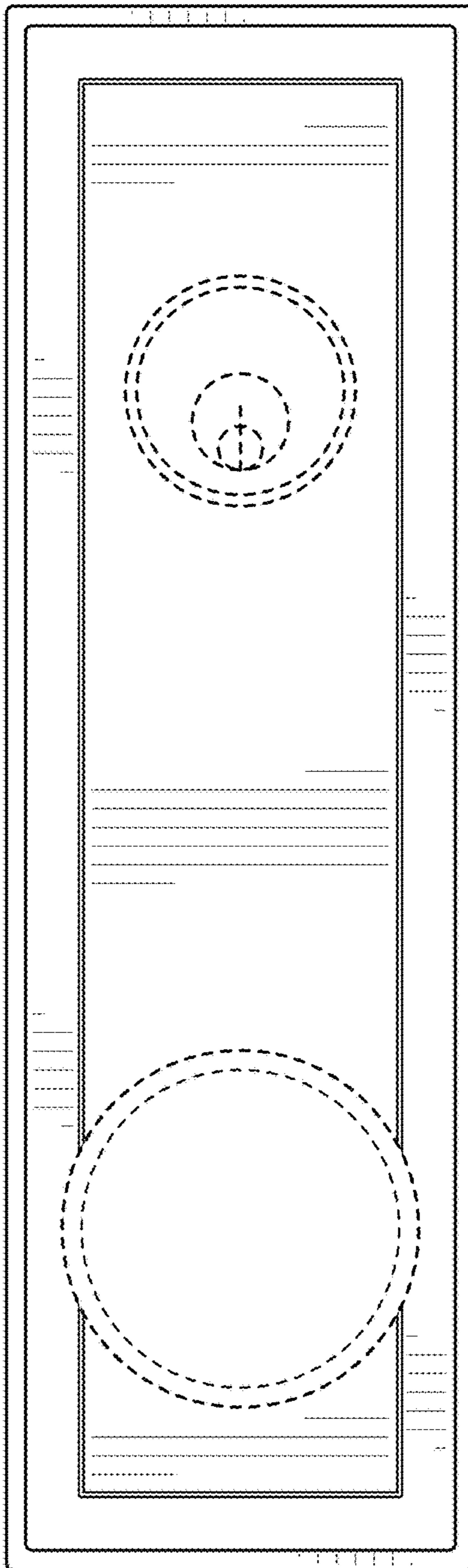


FIG. 8

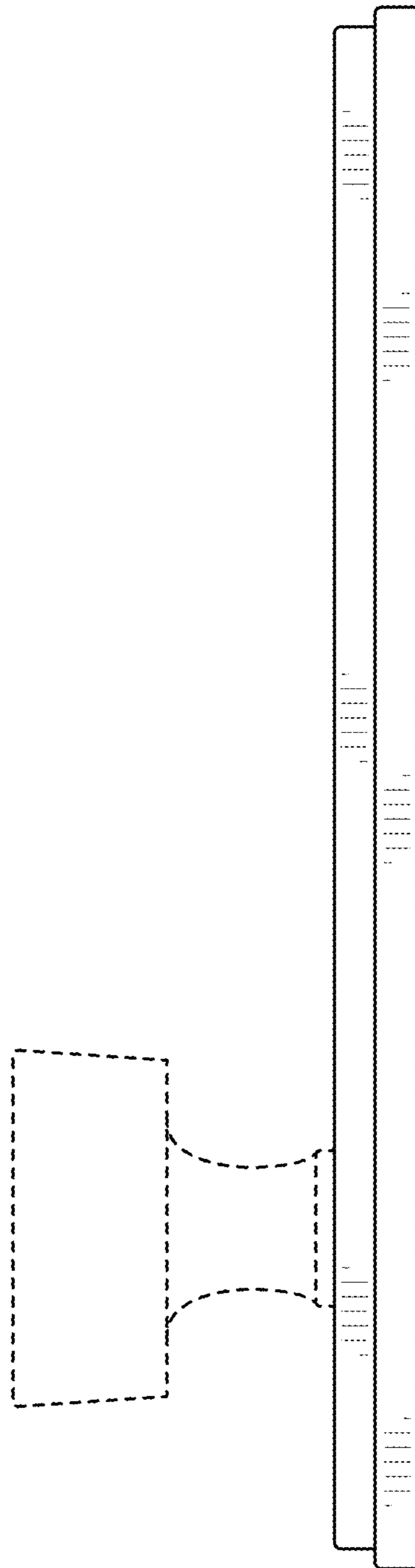


FIG. 9

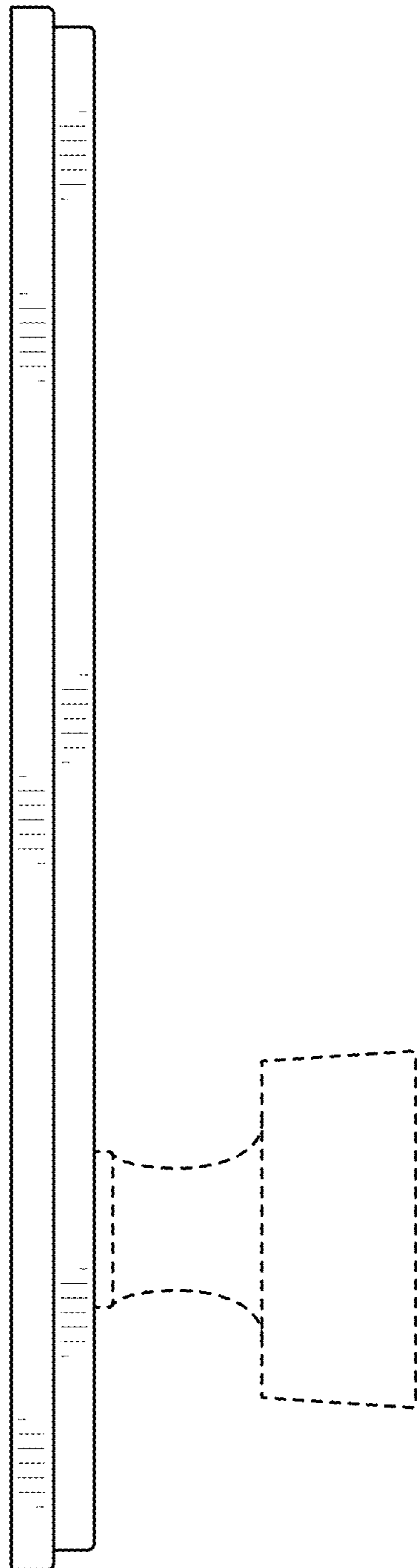


FIG. 10

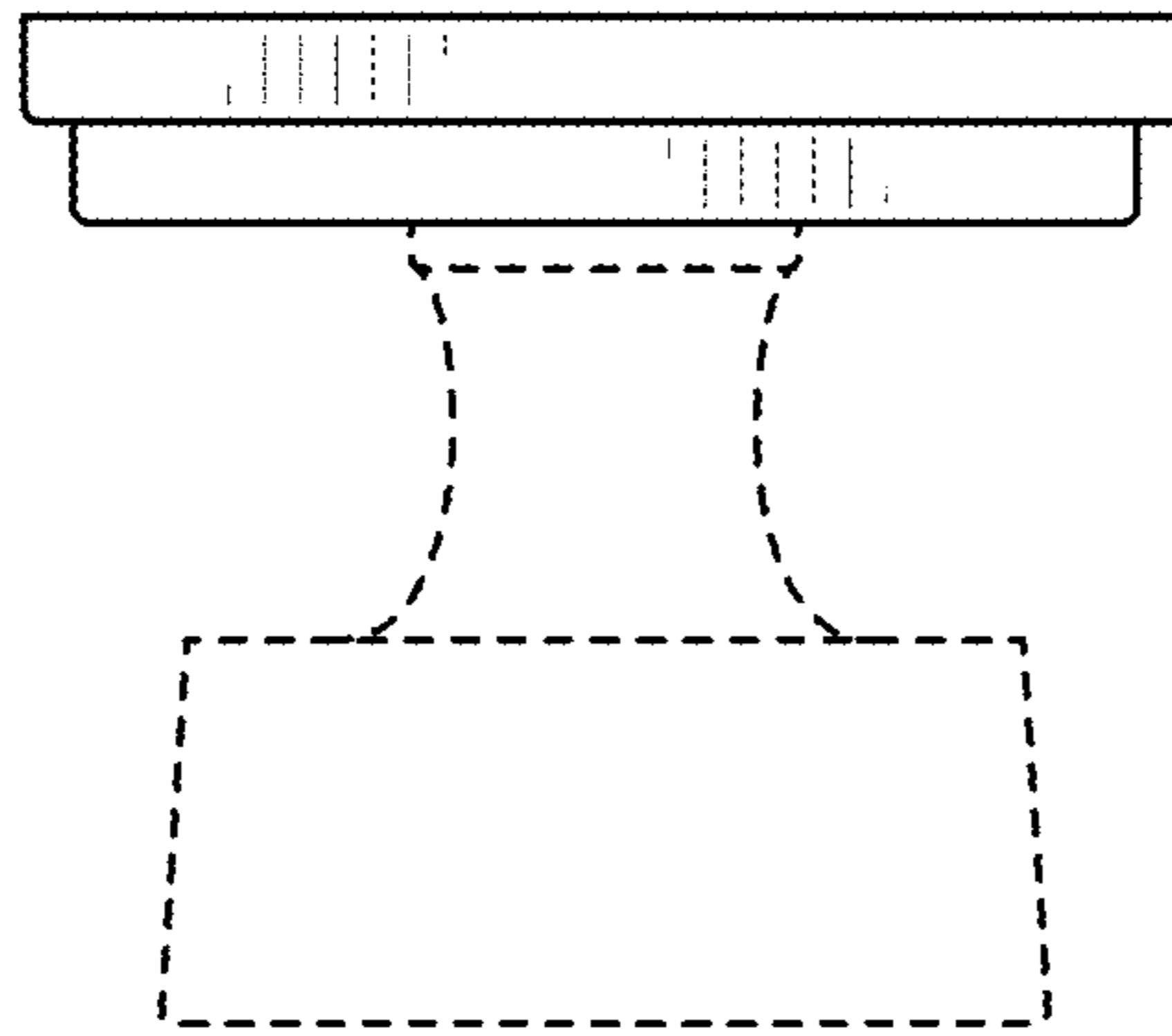


FIG. 11

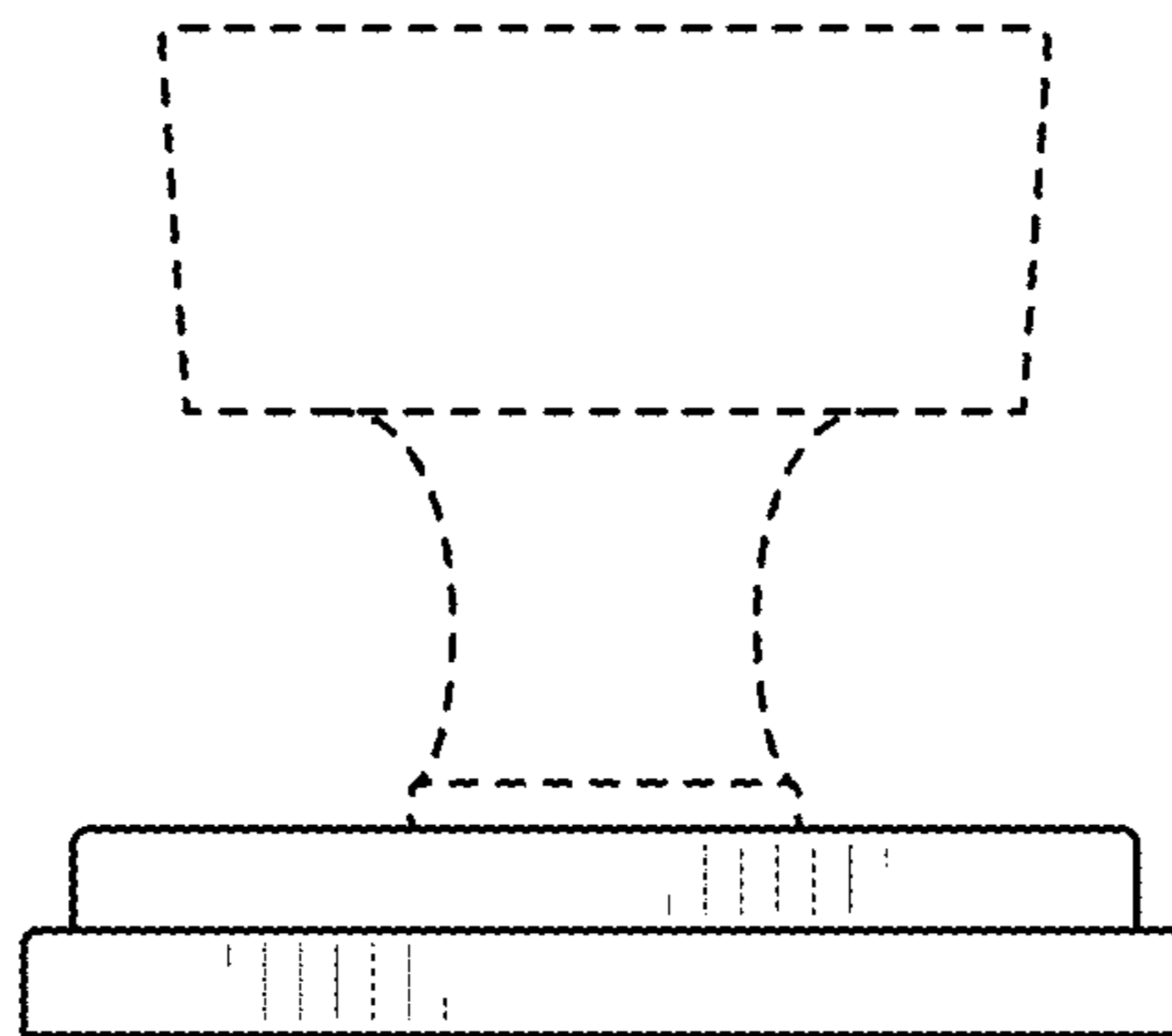


FIG. 12