



US00D813640S

(12) **United States Design Patent**
Osanai

(10) **Patent No.:** **US D813,640 S**
(45) **Date of Patent:** **** Mar. 27, 2018**

(54) **CONTROL KNOB FOR A SHOCK ABSORBER**
(71) Applicant: **SHOWA CORPORATION**, Saitama (JP)
(72) Inventor: **Akihito Osanai**, Shizuoka (JP)
(73) Assignee: **SHOWA CORPORATION**, Saitama (JP)

D472,947 S * 4/2003 Wu D21/694
D572,998 S * 7/2008 Crain D8/305
7,963,003 B1 * 6/2011 Keene F24C 15/086
16/441
2005/0283049 A1 * 12/2005 Seki A61B 1/0011
600/147
2009/0065316 A1 * 3/2009 Chen B62K 25/08
188/322.14
2009/0173925 A1 * 7/2009 Turner B66F 3/24
254/93 H

(**) Term: **15 Years**
(21) Appl. No.: **29/598,704**
(22) Filed: **Mar. 28, 2017**

(Continued)
Primary Examiner — T. Chase Nelson
Assistant Examiner — Ania Aman
(74) *Attorney, Agent, or Firm* — Rankin, Hill & Clark LLP

(30) **Foreign Application Priority Data**

Sep. 30, 2016 (JP) 2016-021152
(51) **LOC (11) Cl.** **08-06**
(52) **U.S. Cl.**
USPC **D8/310**

(57) **CLAIM**

The ornamental design for a control knob for a shock absorber, as shown and described.

(58) **Field of Classification Search**
USPC D12/118, 400, 161, 159, 160, 201–213,
D12/197, 223, 114; D8/402, 499, 300,
D8/303, 308, 309, 310, 311, 312, 313,
D8/314, 321, 322, 397, 394, 382, 349,
D8/387, 388, 391, 393, 399, 307;
D23/206; D9/453, 503; D15/5
CPC B62K 2025/041; B62K 2025/045; B62K
2025/048; B62K 2025/042; B62K
2025/044; B62K 2025/047; G05G 9/02;
G05G 9/00; F16F 1/121; F16F 13/02;
F16F 13/04; F16F 13/101; F16F 15/0275;
F16F 15/1202
See application file for complete search history.

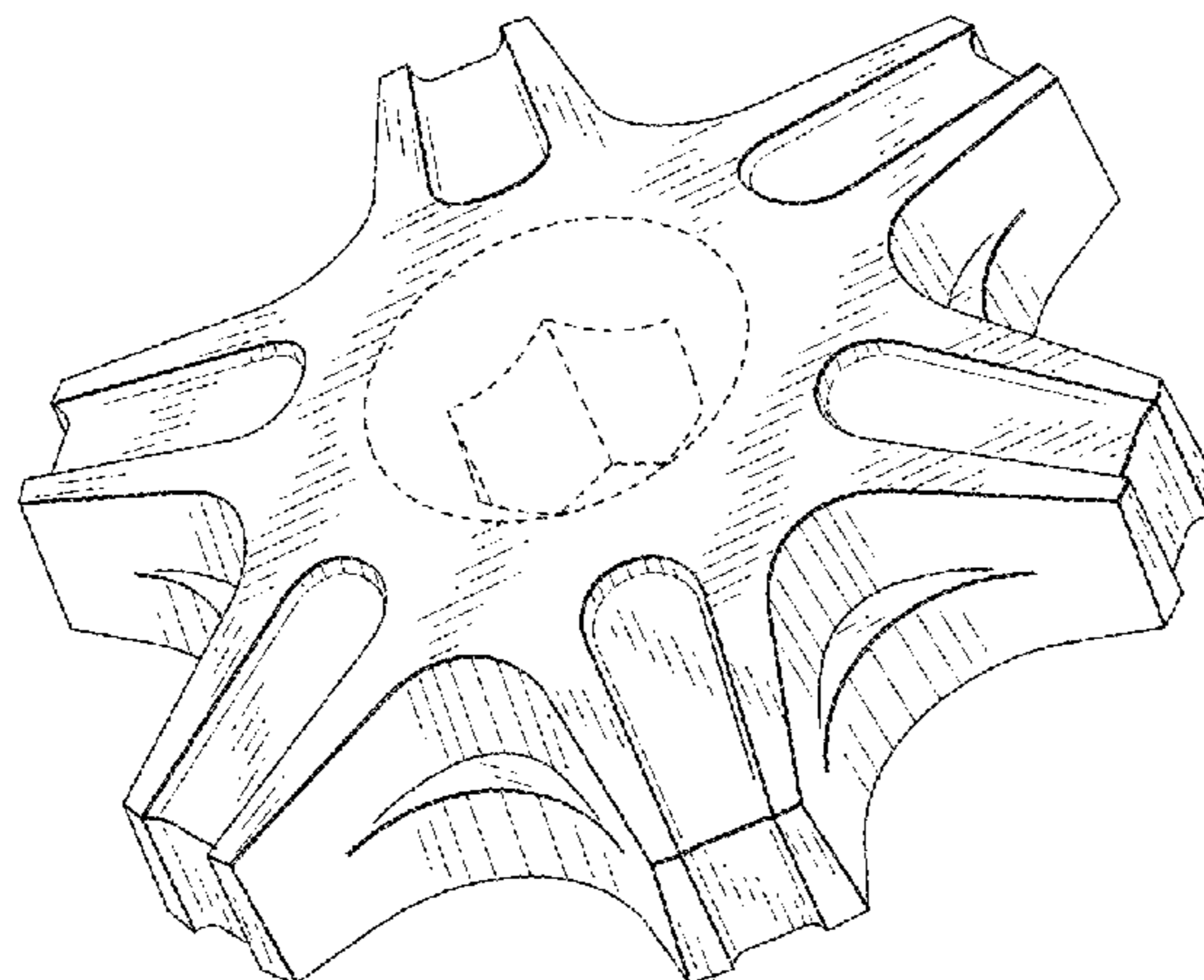
DESCRIPTION

FIG. 1 is a front, right side, bottom perspective view of a control knob for a shock absorber showing my new design; FIG. 2 is a rear, left side, bottom perspective view thereof; FIG. 3 is a front view thereof; FIG. 4 is a rear view thereof; FIG. 5 is a left side view thereof, a right side view being symmetrical; and, FIG. 6 is a top plan view thereof, a bottom plan view being symmetrical.
The broken lines in the Figures show portions of the control knob that form no part of the claimed design.
The control knob can be for a shock absorber for a motorcycle. The control knob can be for adjusting a buffering property, a vibration suppression characteristic, and a function of a motorcycle body posture control for a motorcycle.

(56) **References Cited**
U.S. PATENT DOCUMENTS

D101,826 S * 11/1936 Sinko D12/179
D451,361 S * 12/2001 Yang D8/307

1 Claim, 3 Drawing Sheets



(56)

References Cited

U.S. PATENT DOCUMENTS

2012/0228906 A1* 9/2012 McAndrews B62J 1/08
297/215.13
2013/0192940 A1* 8/2013 Furukawa F16F 9/516
188/282.1
2016/0167730 A1* 6/2016 Lozac'H B62K 25/08
267/286
2016/0185177 A1* 6/2016 Kaneko F16F 9/3235
267/221

* cited by examiner

FIG. 1

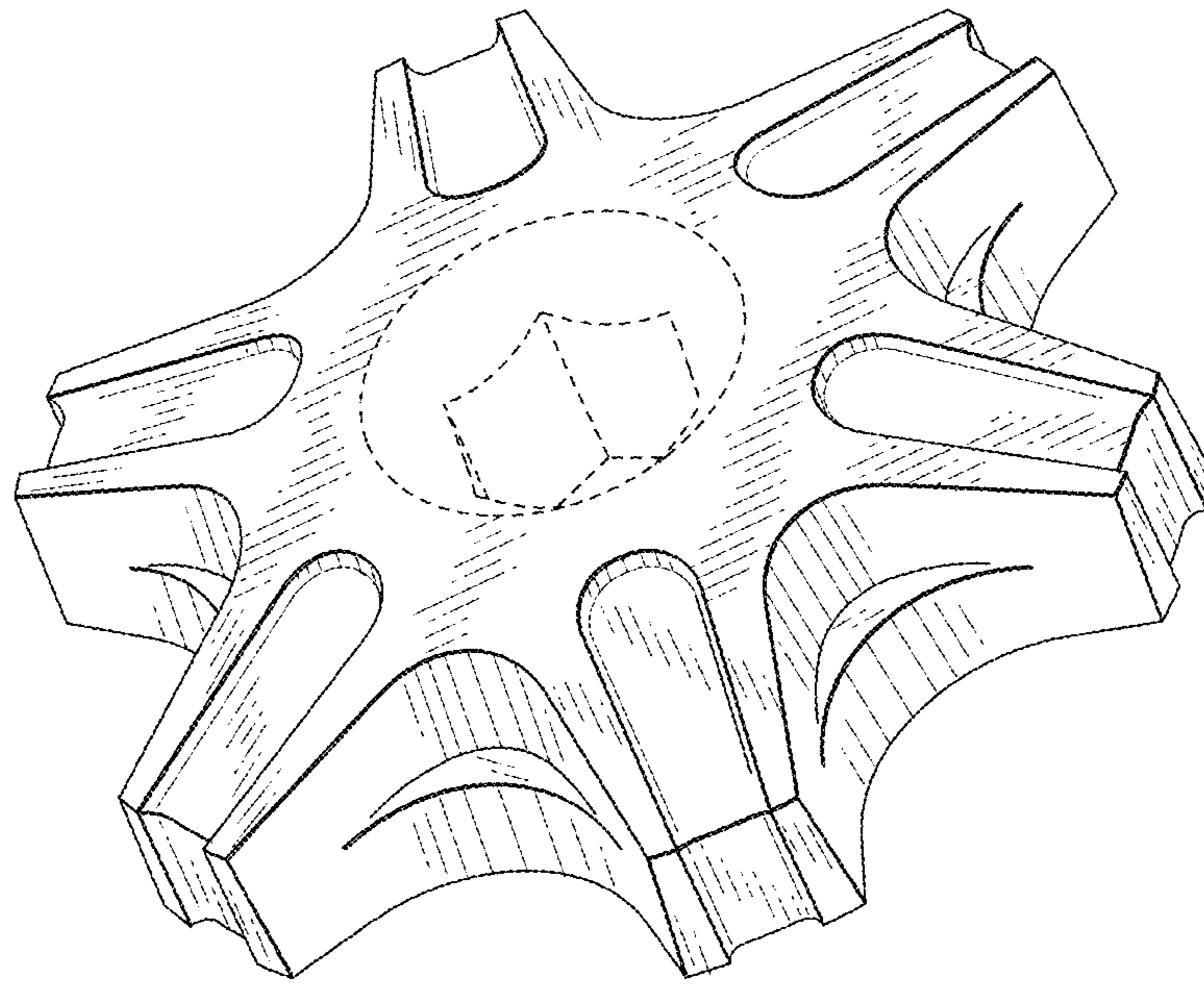


FIG. 2

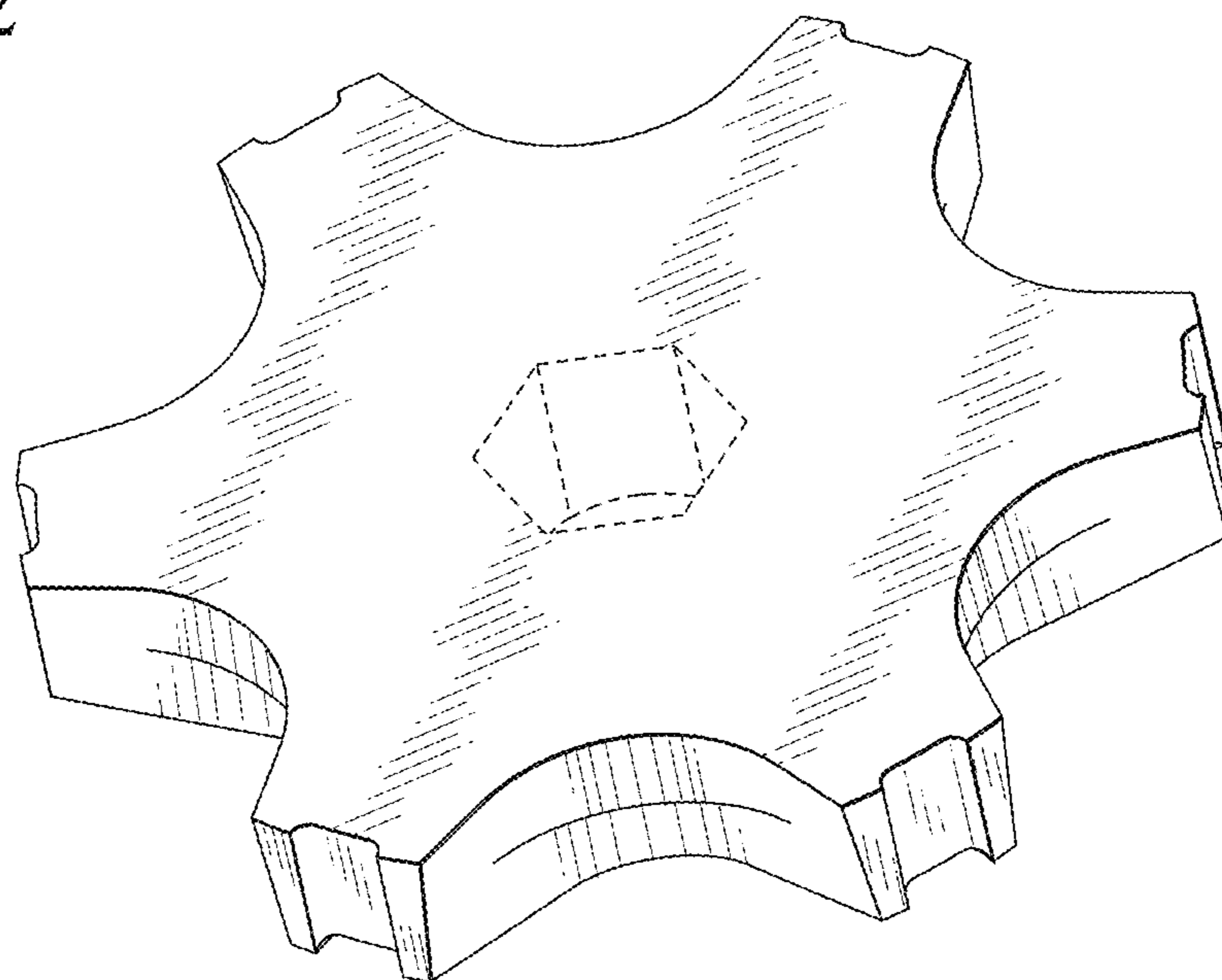


FIG. 3

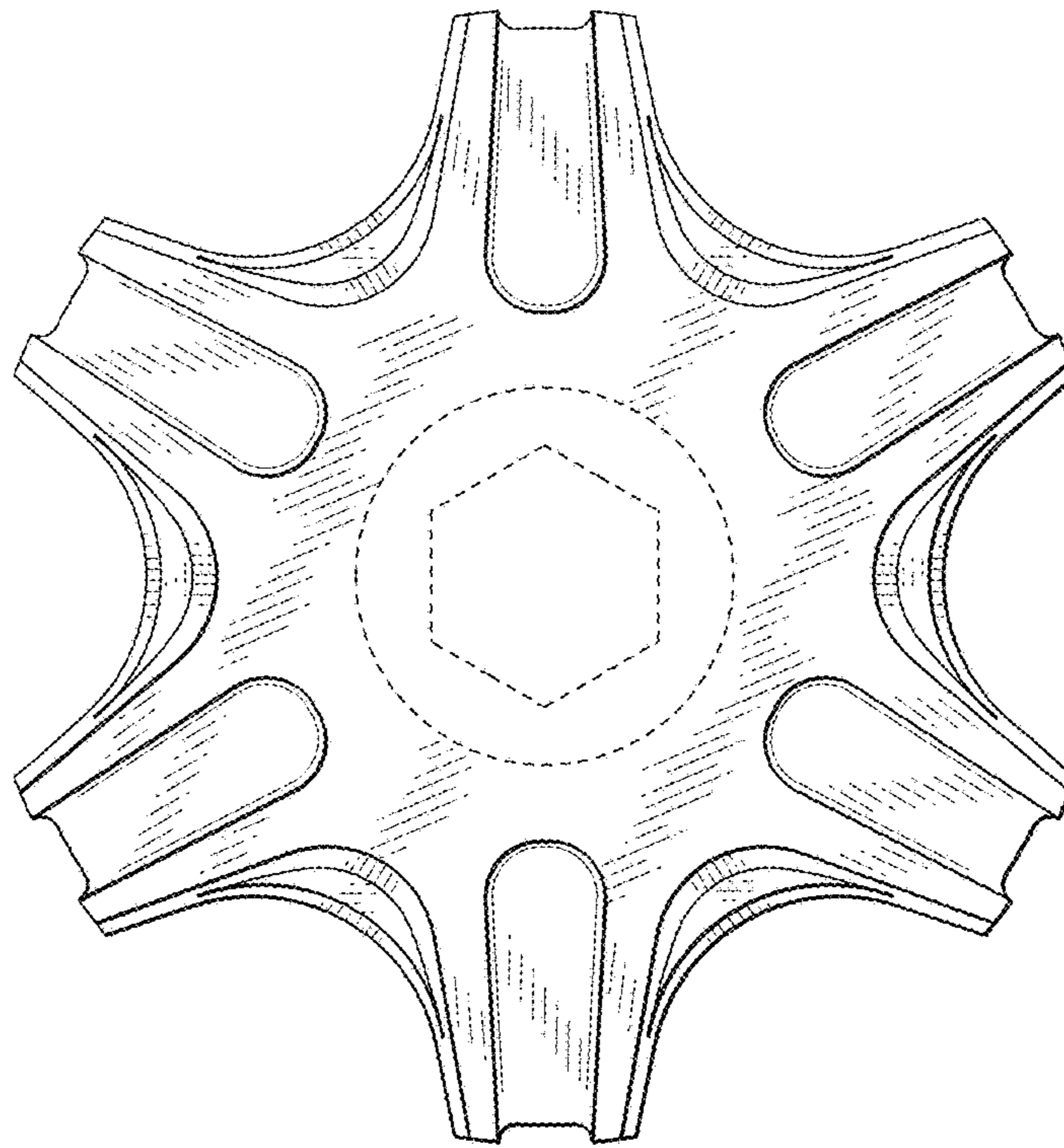


FIG. 4

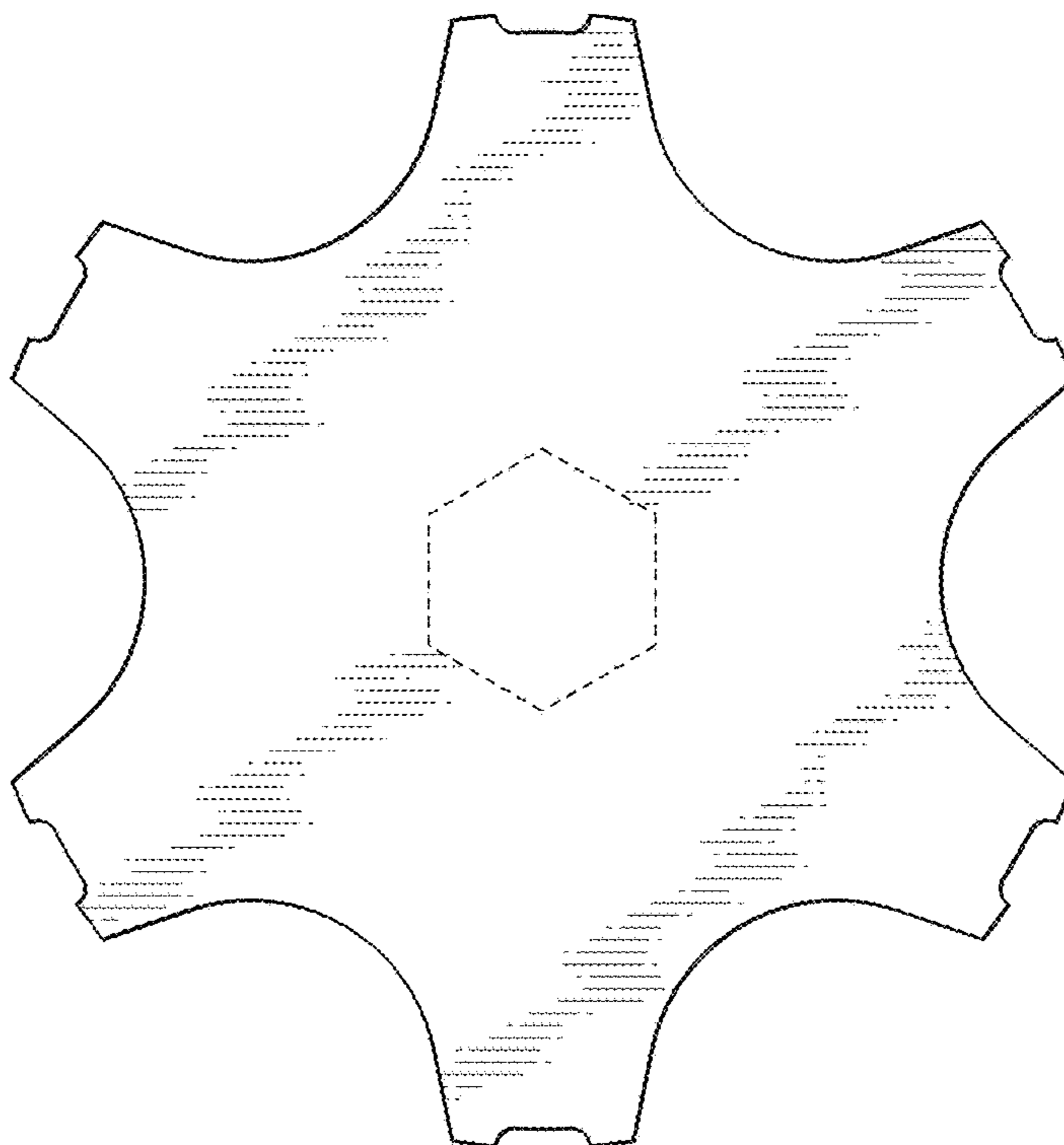


FIG. 5

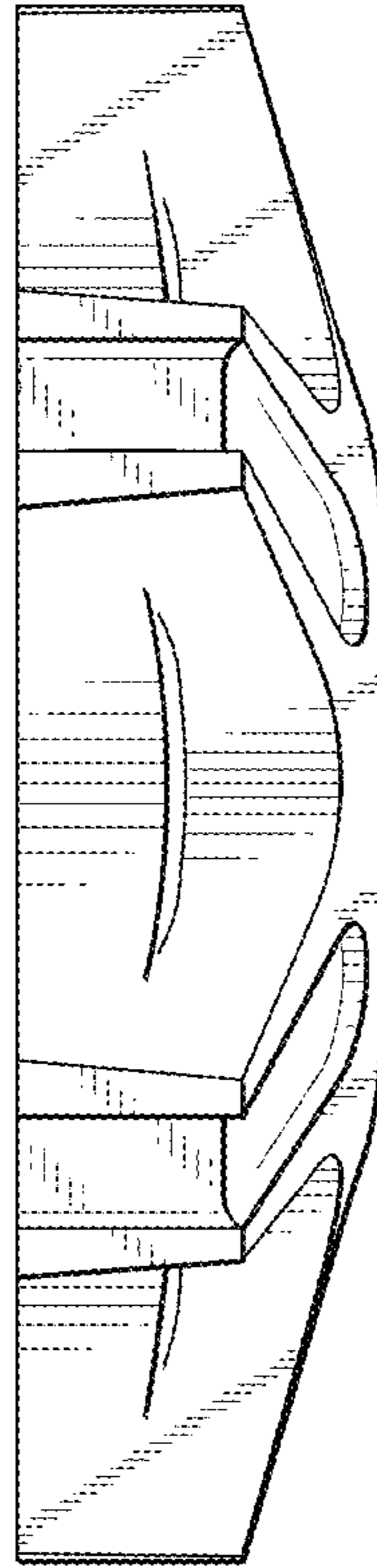


FIG. 6

