



US00D813638S

(12) **United States Design Patent**  
**Hsieh**

(10) **Patent No.:** **US D813,638 S**

(45) **Date of Patent:** **\*\* Mar. 27, 2018**

- (54) **TOOL RACK**
- (71) Applicant: **Chih-Chien Hsieh**, Taichung (TW)
- (72) Inventor: **Chih-Chien Hsieh**, Taichung (TW)
- (\*\*) Term: **15 Years**
- (21) Appl. No.: **29/594,761**
- (22) Filed: **Feb. 22, 2017**
- (51) **LOC (11) Cl.** ..... **08-05**
- (52) **U.S. Cl.**  
USPC ..... **D8/71**
- (58) **Field of Classification Search**  
USPC ..... D8/71, 72, 73, 74, 373; D6/400, 553,  
D6/569; D15/133, 140; 248/218.4, 219.2  
See application file for complete search history.

- 2011/0049069 A1\* 3/2011 Kao ..... B25H 3/04  
211/70.6
- 2011/0056897 A1\* 3/2011 Kao ..... A47F 7/0028  
211/70.6
- 2016/0221178 A1\* 8/2016 Hsieh ..... B25H 3/04
- 2016/0271788 A1\* 9/2016 Hsieh ..... B25H 3/04
- 2017/0305626 A1\* 10/2017 Jhu ..... B65D 73/0064

\* cited by examiner

*Primary Examiner* — Lakiya G Rogers  
*Assistant Examiner* — Harold E Blackwell, II  
 (74) *Attorney, Agent, or Firm* — Egbert Law Offices, PLLC

(57) **CLAIM**

The ornamental design for a tool rack, as shown and described.

**DESCRIPTION**

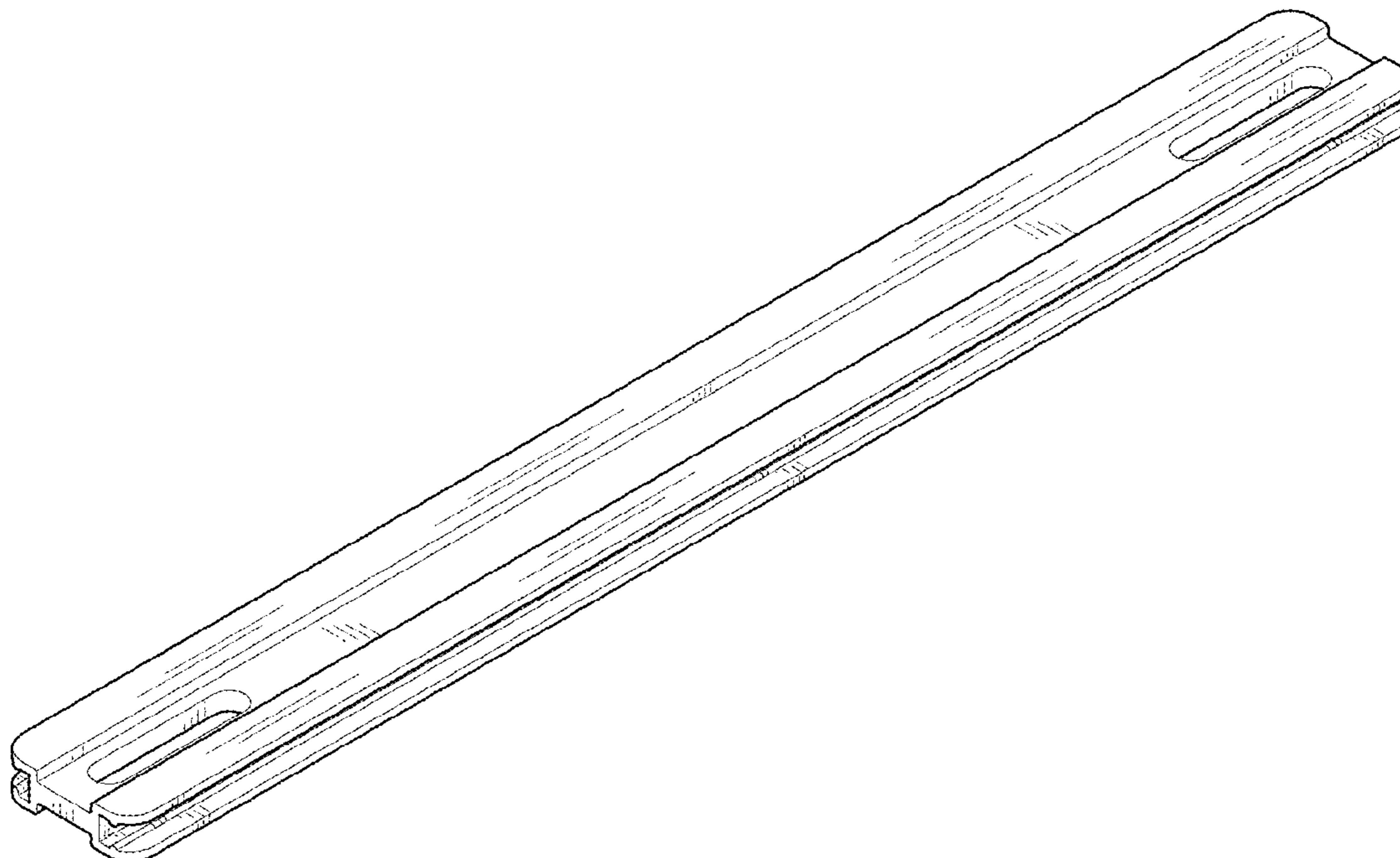
FIG. 1 is a perspective view of a tool rack showing my new design;  
 FIG. 2 is a front elevational view thereof;  
 FIG. 3 is a rear elevational view thereof;  
 FIG. 4 is a left side view thereof;  
 FIG. 5 is a right side view thereof;  
 FIG. 6 is a top plan view thereof;  
 FIG. 7 is a bottom plan view thereof; and,  
 FIG. 8 is a perspective view showing the application thereof.  
 The broken line showing of the tool rack in FIG. 8 illustrates the environment of the claimed design and forms no part thereof.

(56) **References Cited**

U.S. PATENT DOCUMENTS

- D665,195 S \* 8/2012 Hsieh ..... D8/71
- D706,516 S \* 6/2014 Caglia ..... D1/105
- D709,806 S \* 7/2014 Musgrove ..... D12/167
- D756,022 S \* 5/2016 Shipman ..... D26/113
- D756,028 S \* 5/2016 Shipman ..... D26/113
- 9,597,792 B1 \* 3/2017 Kao ..... A47F 7/0028
- 9,656,385 B1 \* 5/2017 Kao ..... B25H 3/04
- D799,067 S \* 10/2017 Forsberg ..... D25/119
- 2010/0295748 A1 \* 11/2010 Bradley ..... H01Q 1/42  
343/872
- 2010/0300996 A1 \* 12/2010 Kao ..... A47F 5/0846  
211/70.6

**1 Claim, 8 Drawing Sheets**



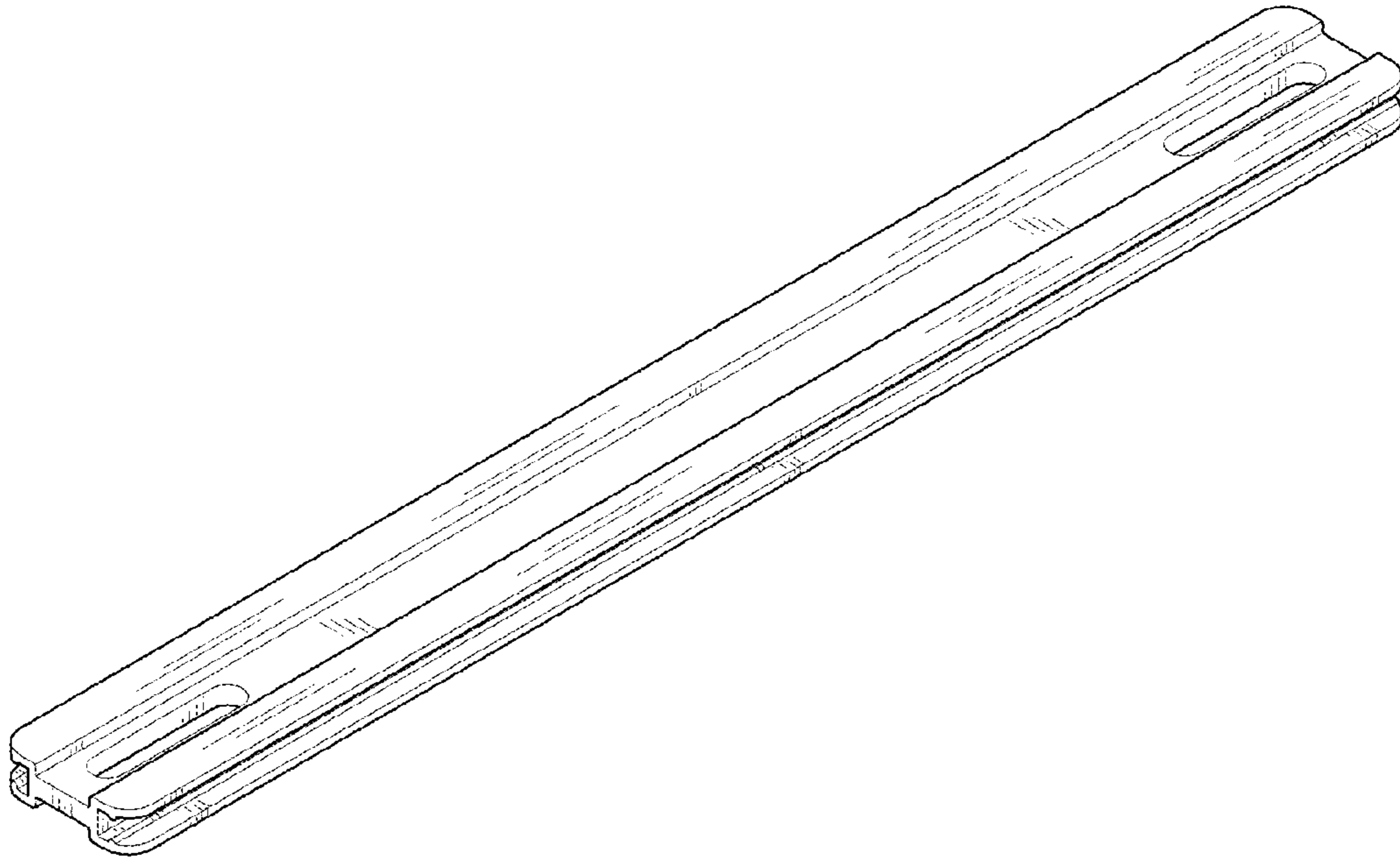


FIG.1

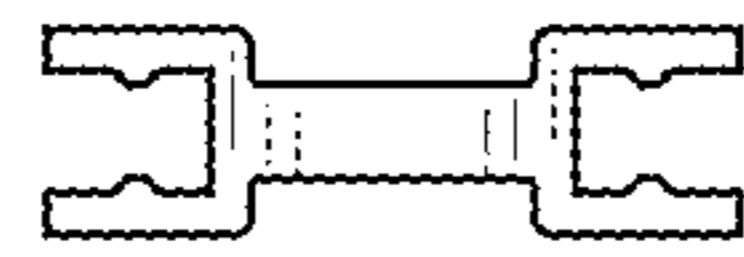


FIG.2

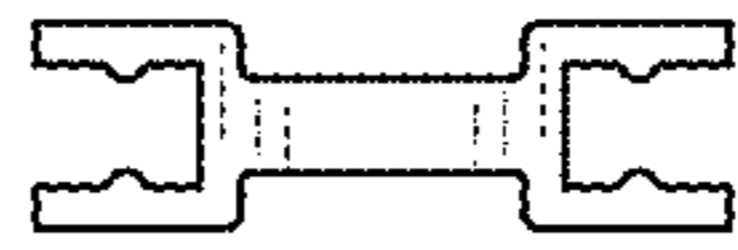


FIG. 3

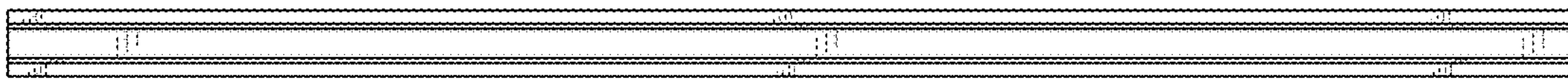


FIG. 4



FIG.5

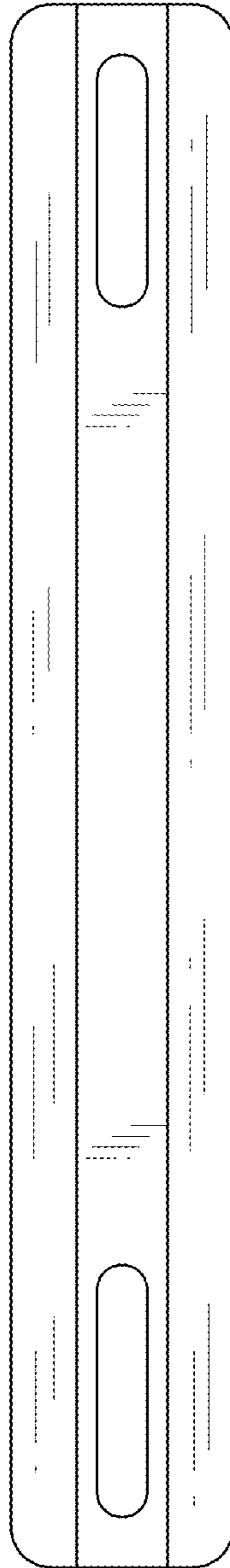


FIG.6

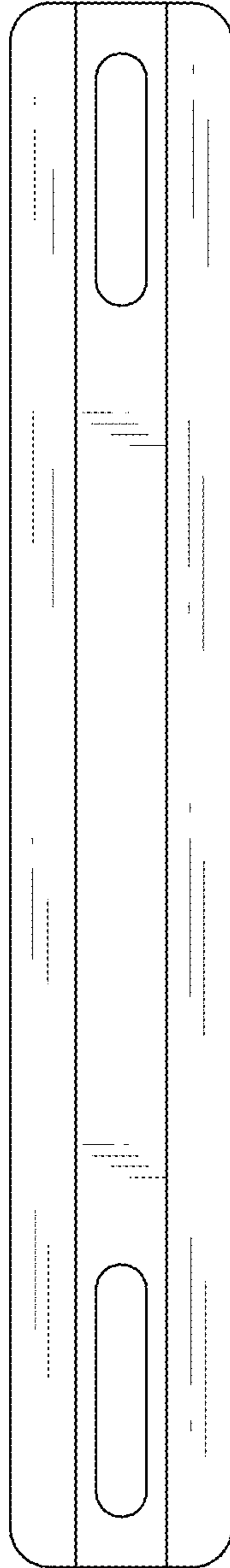


FIG. 7



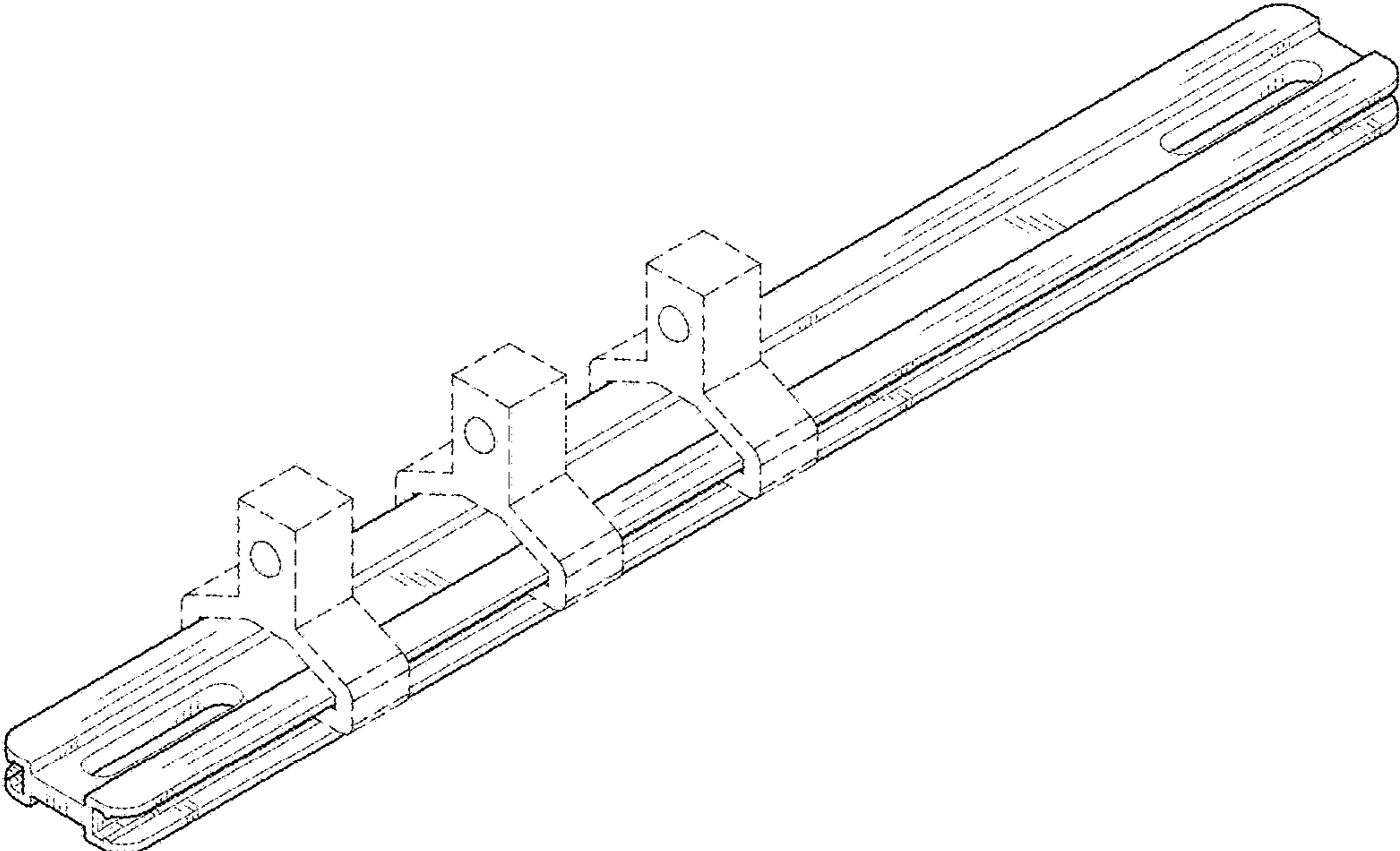


FIG.8