



US00D813637S

(12) **United States Design Patent** (10) **Patent No.:** **US D813,637 S**
Kao (45) **Date of Patent:** **** Mar. 27, 2018**

(54) **MOUNTING SEAT FOR HANGING A WRENCH SOCKET**

(71) Applicant: **Jui-Chien Kao**, Taichung (TW)

(72) Inventor: **Jui-Chien Kao**, Taichung (TW)

(**) Term: **15 Years**

(21) Appl. No.: **29/584,268**

(22) Filed: **Nov. 14, 2016**

(51) **LOC (11) Cl.** **08-05**

(52) **U.S. Cl.**
USPC **D8/71**

(58) **Field of Classification Search**
USPC D8/14, 71, 349, 354, 25, 29; D15/33, D15/143, 199
CPC B25H 3/003; B25H 3/04; B25H 3/006; B25H 3/06; B25H 3/00; A47F 7/0028; A47F 5/0853; A47F 5/0838; F16C 33/30
See application file for complete search history.

(56) **References Cited**

U.S. PATENT DOCUMENTS

- 3,913,994 A * 10/1975 Ailing F16C 19/30 384/623
- 3,994,546 A * 11/1976 Ailing F16C 19/305 384/623
- 4,042,285 A * 8/1977 Dorsch F16C 19/30 384/621
- 6,843,605 B2 * 1/2005 Tamada F04B 27/1063 384/618
- 9,186,790 B1 * 11/2015 Kao B25H 3/06

- D770,547 S * 11/2016 Yamamoto D15/143
- 9,539,721 B1 * 1/2017 Kao B25H 3/003
- 9,662,781 B1 * 5/2017 Kao B25H 3/003
- 9,821,451 B1 * 11/2017 Kao B25H 3/003
- 2014/0317967 A1 * 10/2014 Parker E02F 3/325 37/403
- 2016/0096264 A1 * 4/2016 Kao B25H 3/003 206/378

* cited by examiner

Primary Examiner — Phillip S Hyder

(74) *Attorney, Agent, or Firm* — Alan D. Kamrath; Kamrath IP Lawfirm, P.A.

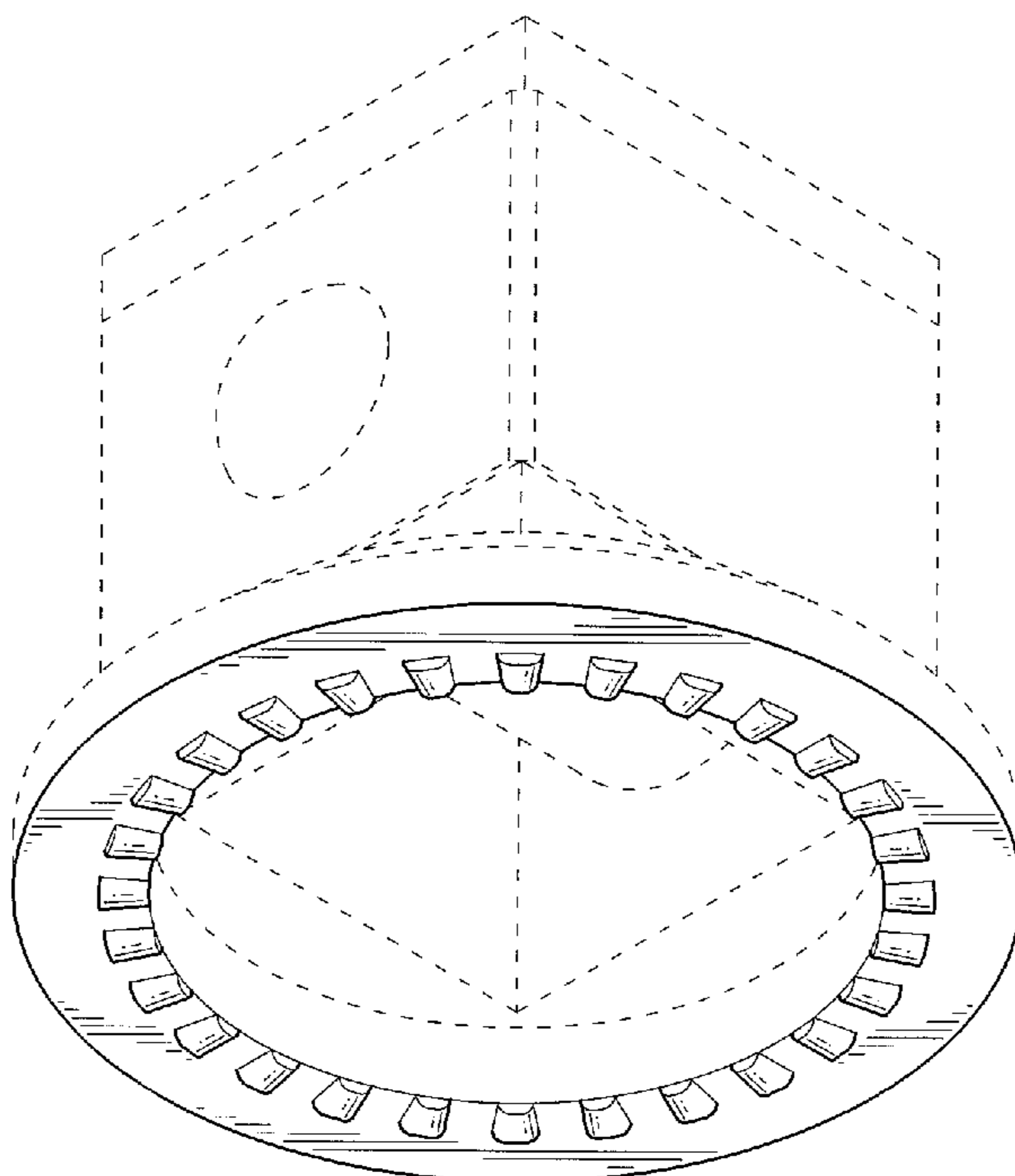
(57) **CLAIM**

The ornamental design for a mounting seat for hanging a wrench socket, as shown and described.

DESCRIPTION

FIG. 1 is a perspective view of a mounting seat for hanging a wrench socket, showing my new design; FIG. 2 is a front view thereof; FIG. 3 is a rear view thereof; FIG. 4 is a left side view thereof; FIG. 5 is a right side view thereof; and, FIG. 6 is a bottom view thereof. The broken lines depict environmental subject matter, are for illustration only and form no part of the claimed design. The top view forms no part of the claimed design and is omitted.

1 Claim, 6 Drawing Sheets



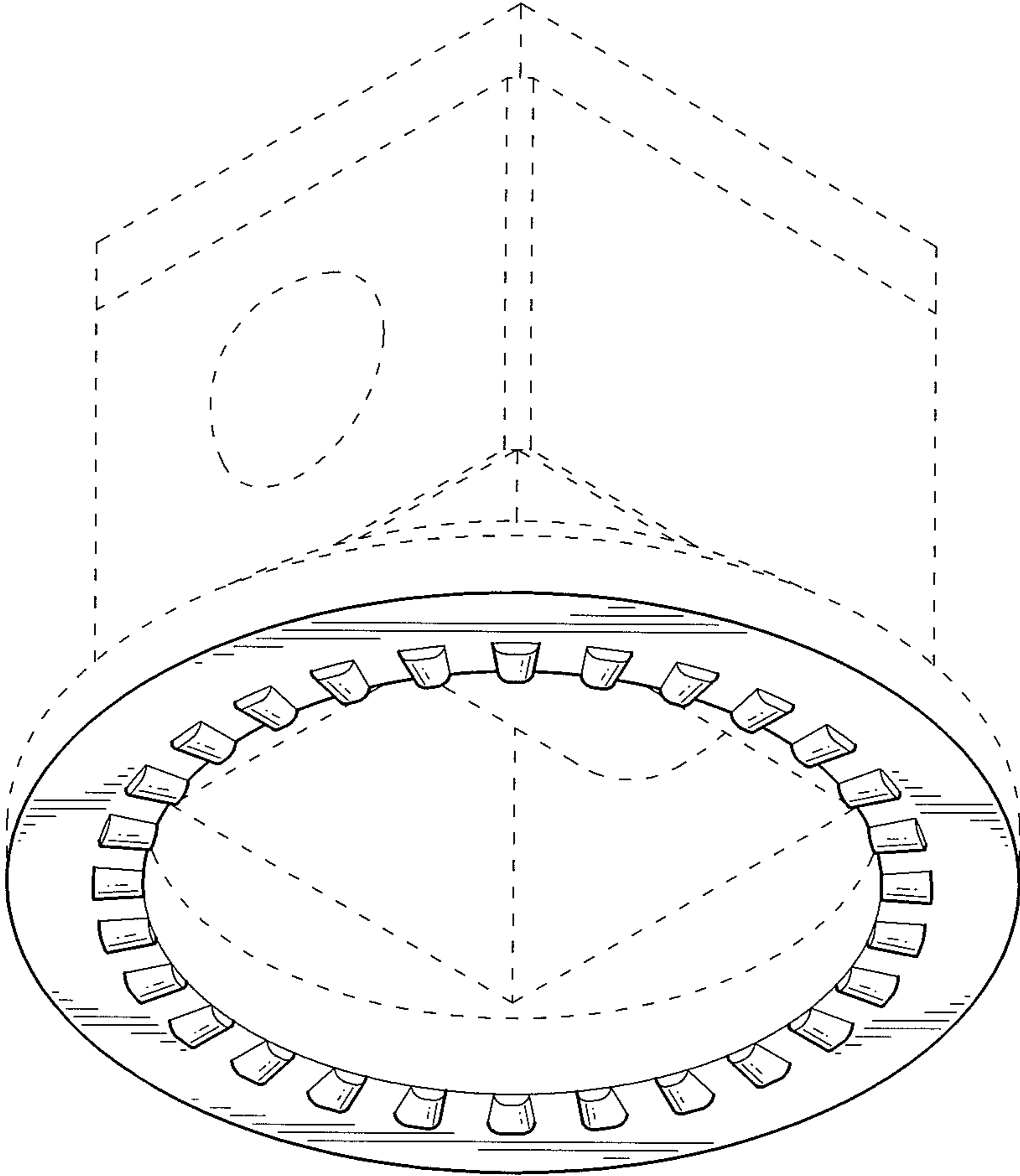


FIG.1

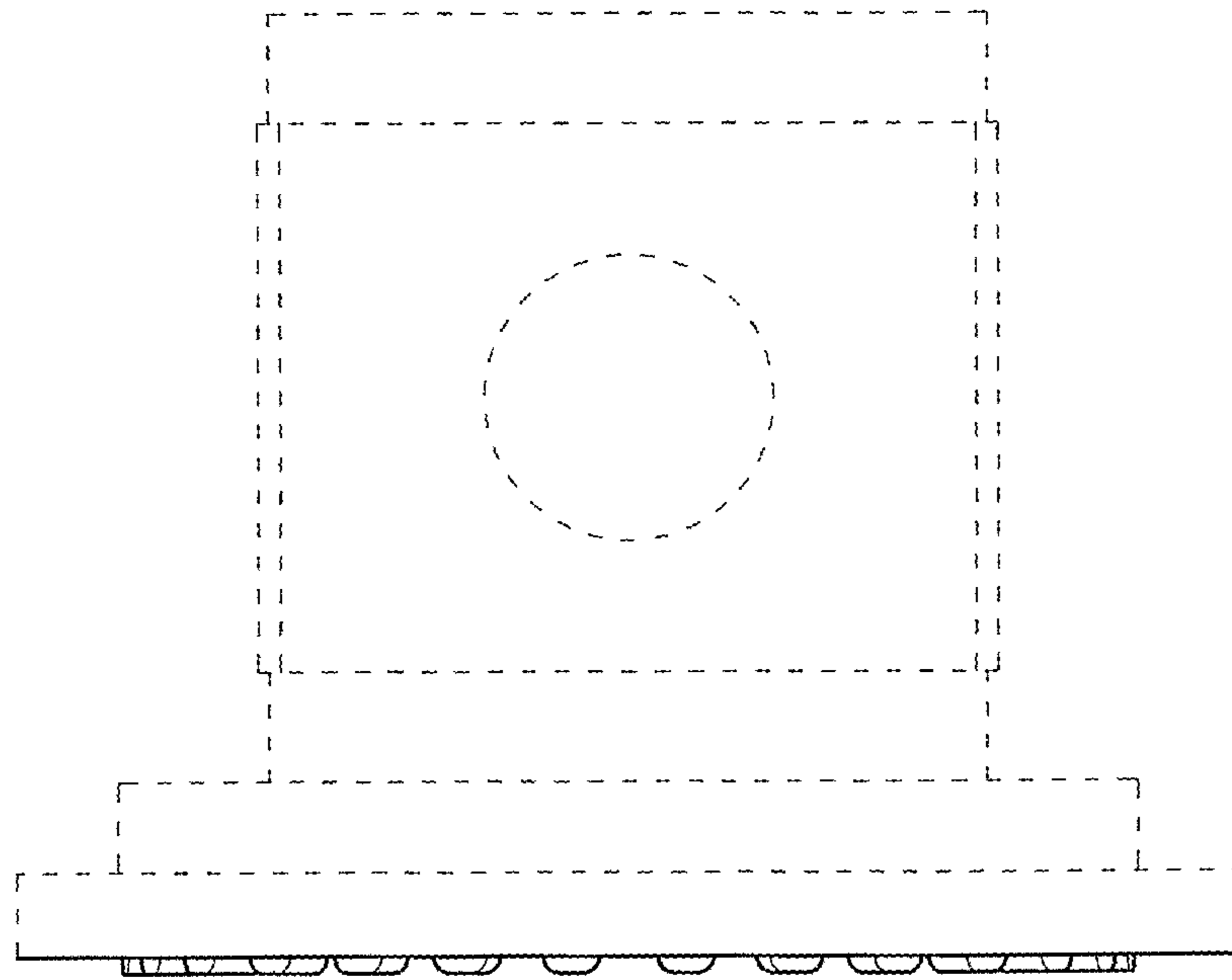


FIG.2

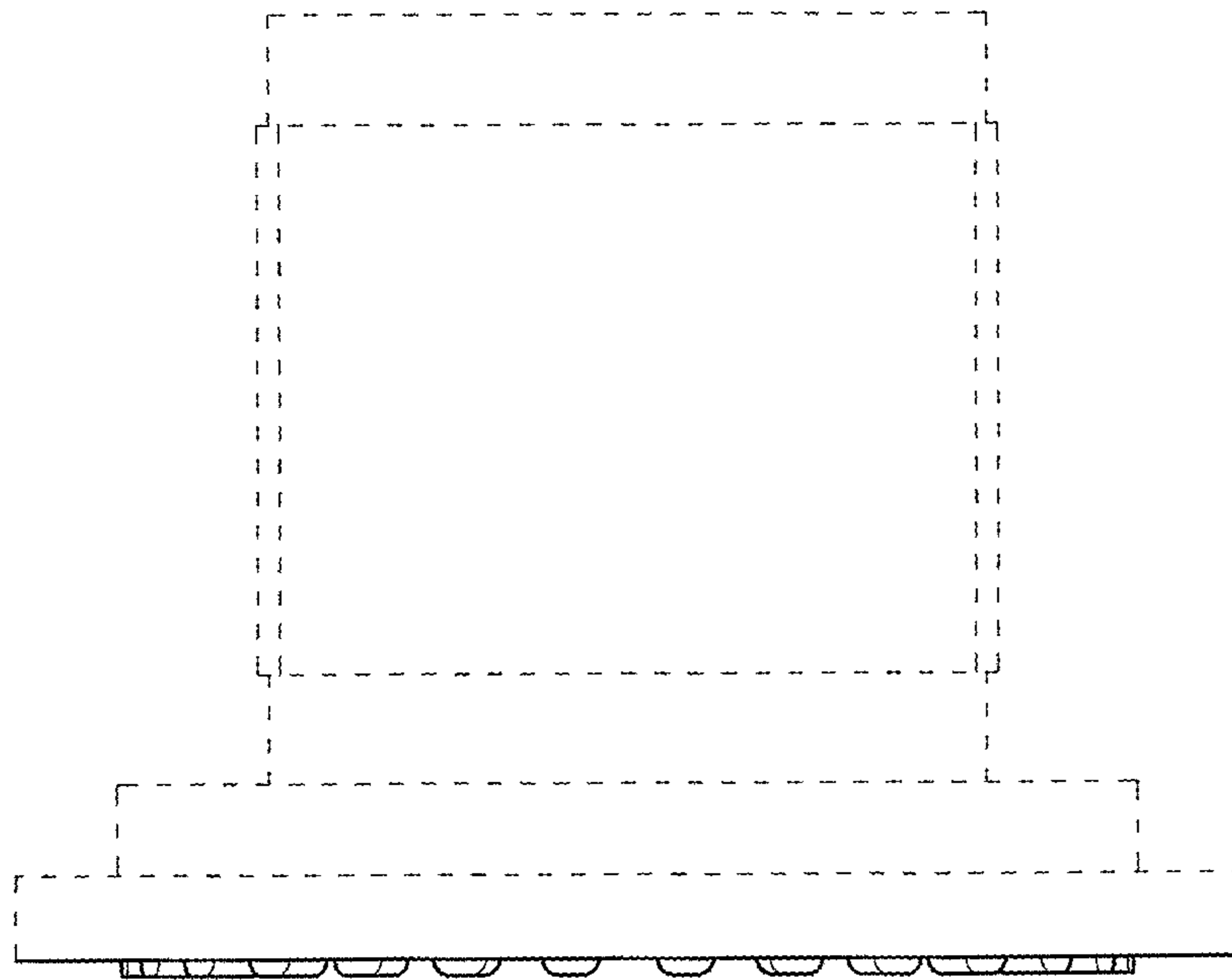


FIG.3

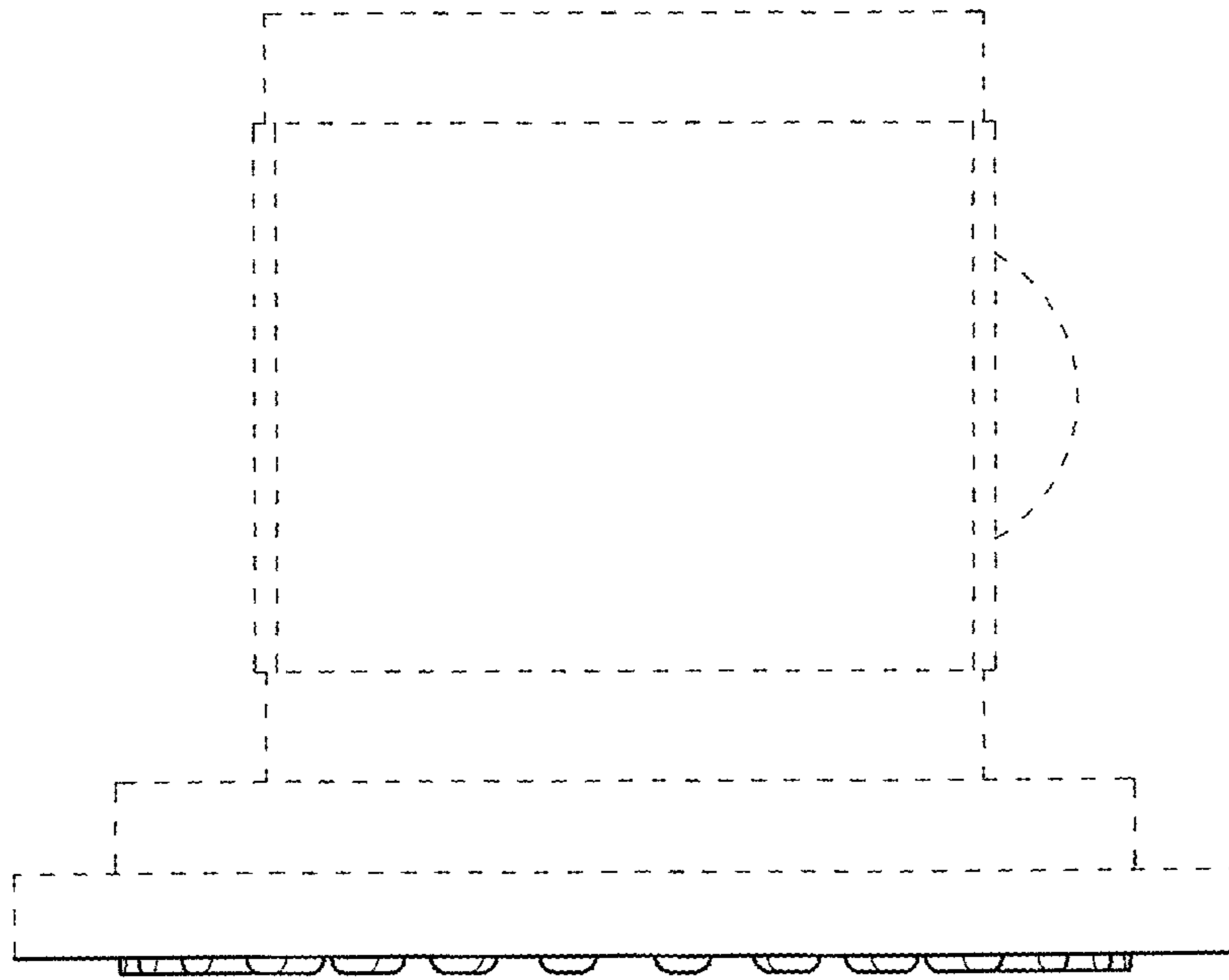


FIG.4

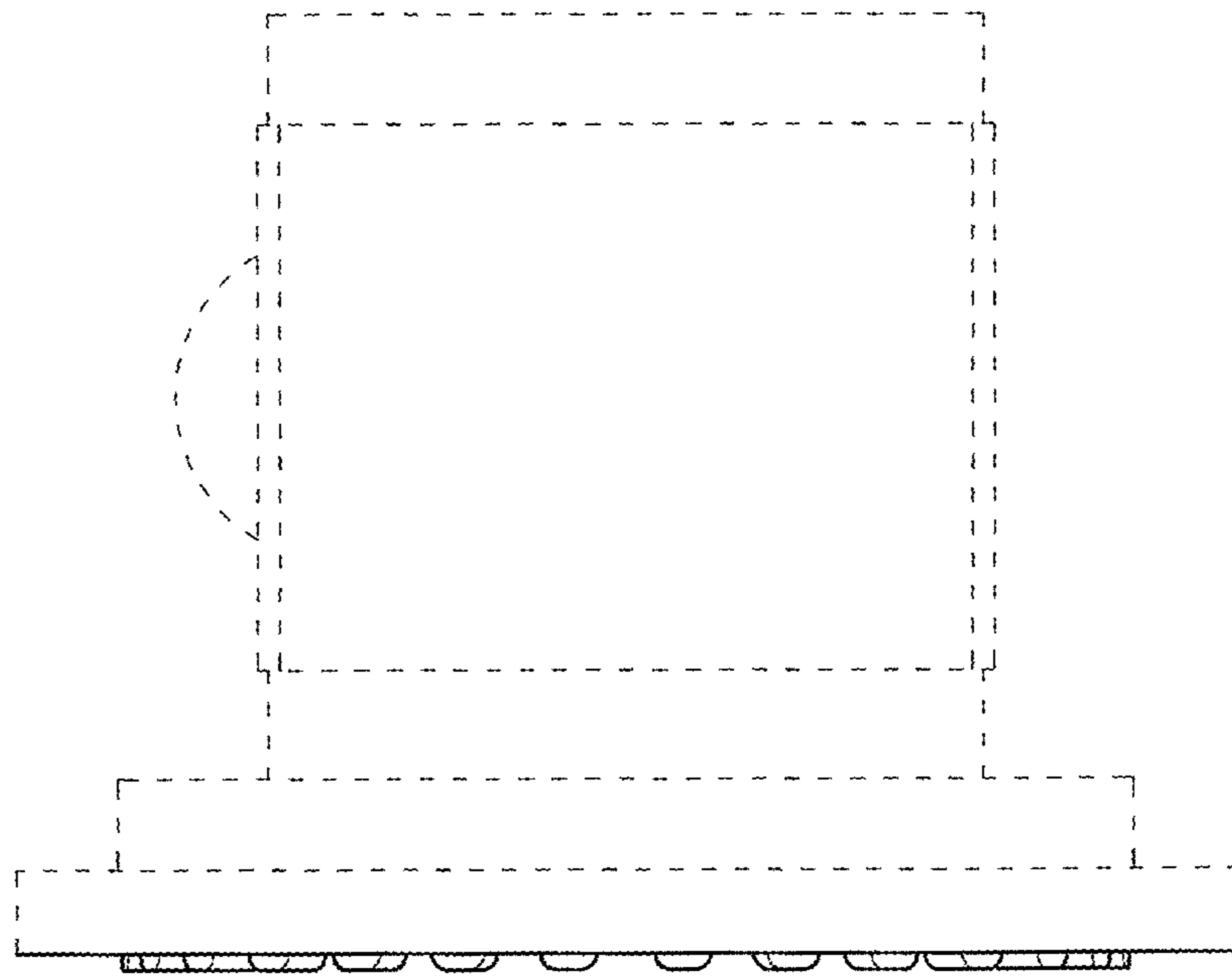


FIG.5

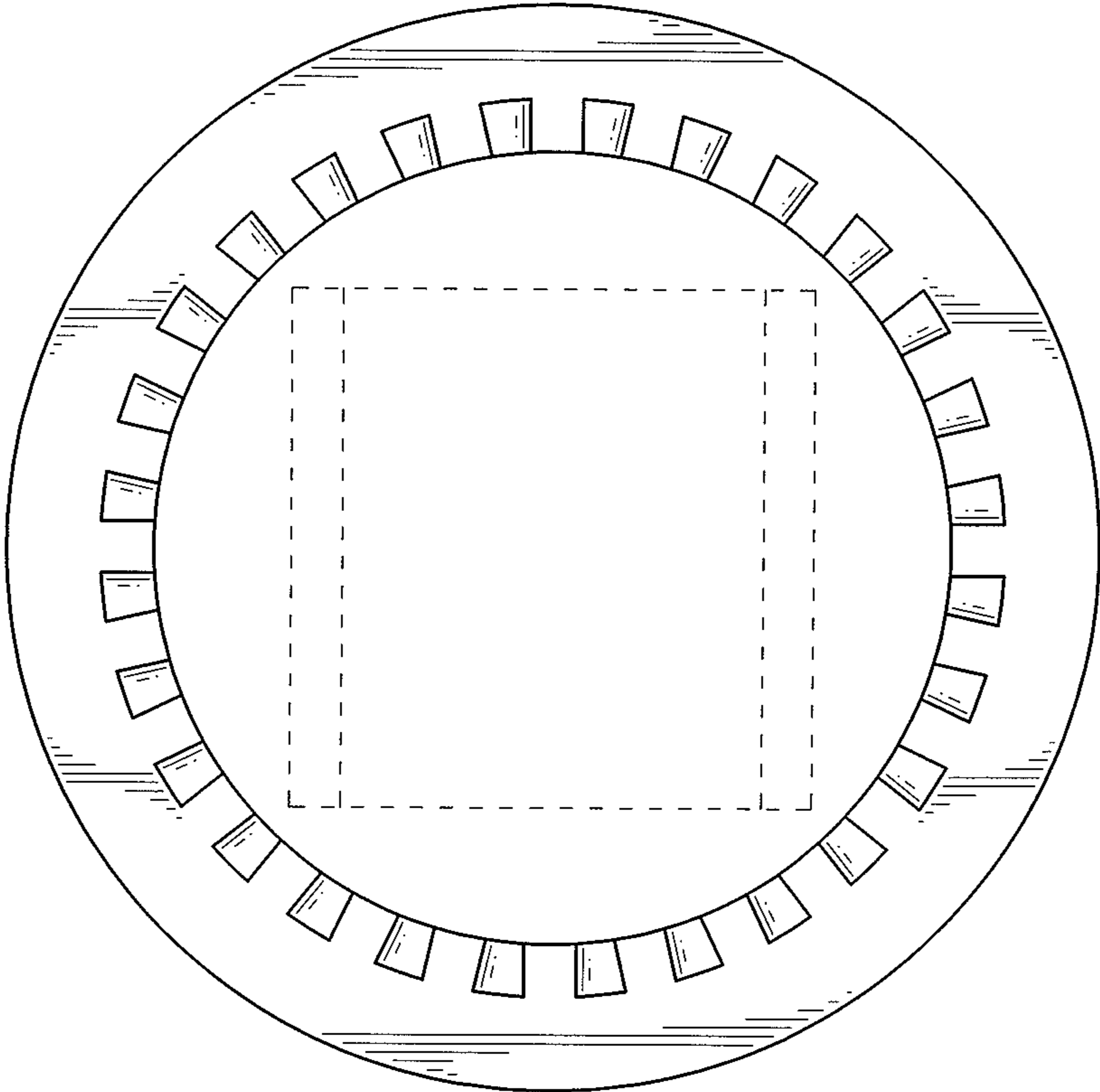


FIG.6