



US00D813636S

(12) **United States Design Patent** (10) **Patent No.:** **US D813,636 S**  
**Hsieh** (45) **Date of Patent:** **\*\* Mar. 27, 2018**

(54) **TOOL HOLDER**

FOREIGN PATENT DOCUMENTS

(71) Applicant: **Chih-Chien Hsieh**, Taichung (TW)

KR 300846839 \* 3/2016

(72) Inventor: **Chih-Chien Hsieh**, Taichung (TW)

OTHER PUBLICATIONS

(\*\*) Term: **15 Years**

NPL #1: T-Slot Grid Plates, Mitee-Bite Products LLC, p. 28, 2014 catalog, posted at miteebite.com, published Jul. 2014 © 2014 Mitee-Bite Products LLC, online, site visited Sep. 26, 2017. Available from Internet, URL: <http://www.miteebite.com/wp-content/uploads/2014/12/2014-MB-CATALOG-Web.pdf> (Year: 2014).\*

(21) Appl. No.: **29/579,741**

(22) Filed: **Oct. 3, 2016**

(51) **LOC (11) Cl.** ..... **08-05**

(52) **U.S. Cl.**  
USPC ..... **D8/71**

(58) **Field of Classification Search**

USPC ..... D8/71, 72-74; D15/140; 206/349, 350;  
408/72 R, 79-83, 115 R, 115 B; 33/493,  
33/562, 667, 675, 679  
CPC ..... B23B 47/28; B23B 47/287; B23B 49/02;  
B23B 2226/61; Y10T 408/569; Y10T  
408/567; Y10T 408/558; Y10T 408/561;  
Y10T 408/5614; E05B 17/06; E04F  
21/003

See application file for complete search history.

(Continued)

*Primary Examiner* — Lakiya G Rogers

*Assistant Examiner* — Altaira J Swangin

(74) *Attorney, Agent, or Firm* — Egbert Law Offices, PLLC

(57) **CLAIM**

The ornamental design for a tool holder, as shown and described.

(56) **References Cited**

U.S. PATENT DOCUMENTS

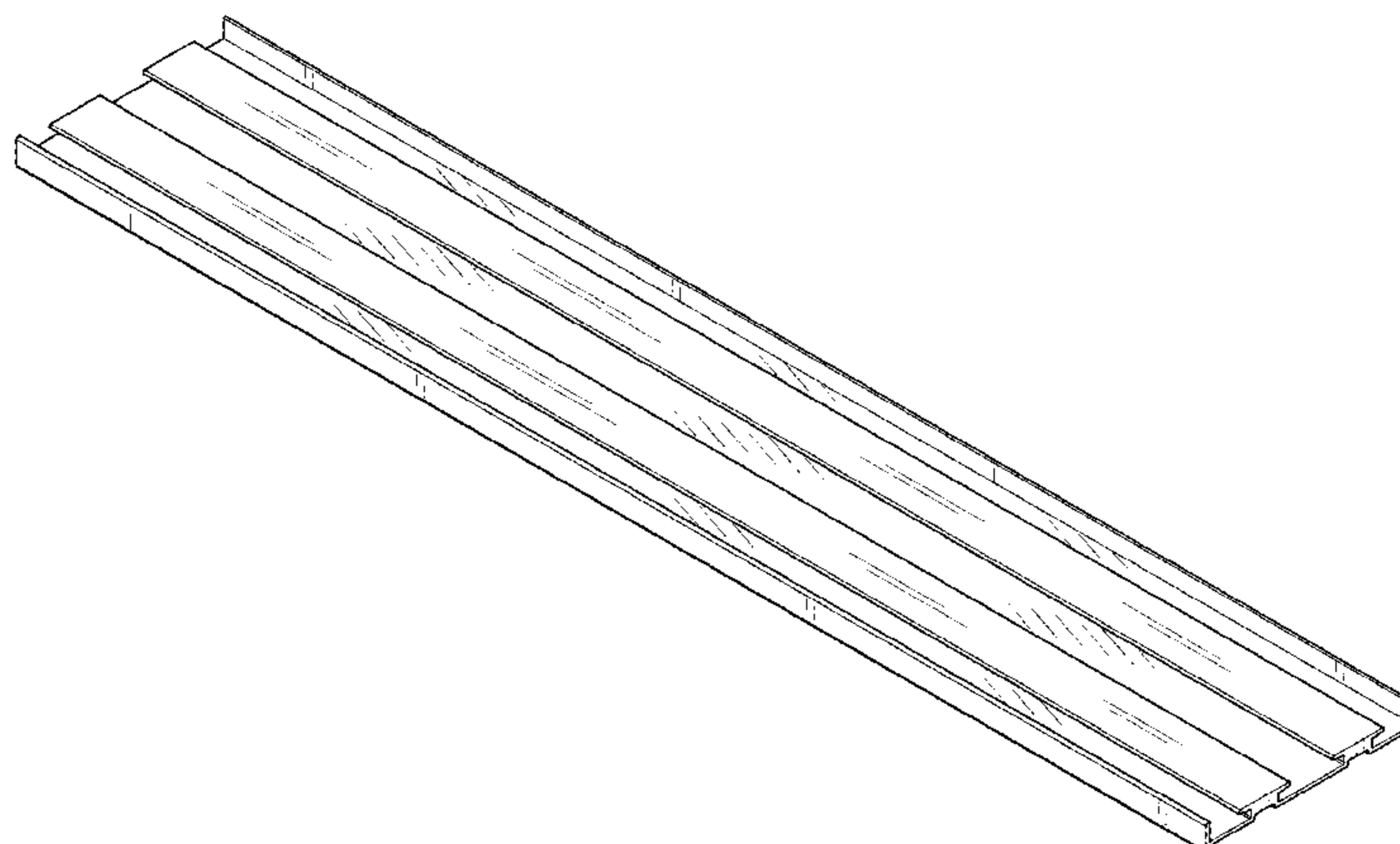
D195,504 S \* 6/1963 Waite ..... D25/125  
D199,732 S \* 12/1964 Grove ..... D25/123  
3,253,377 A \* 5/1966 Schakel ..... B62D 33/046  
52/592.4  
D219,732 S \* 1/1971 Van Den Broek ..... D25/125  
4,531,331 A \* 7/1985 Itagaki ..... A47F 5/0846  
211/189  
4,603,068 A \* 7/1986 Hunter ..... E04C 2/40  
428/174  
4,615,448 A \* 10/1986 Johnstonbaugh ..... A47F 5/0846  
211/189  
4,809,479 A \* 3/1989 Tierno ..... A47F 5/0846  
211/189  
5,138,803 A \* 8/1992 Grossen ..... A47F 5/0846  
211/103  
5,185,971 A \* 2/1993 Johnson, Jr. .... A47B 57/408  
211/94.01

(Continued)

**DESCRIPTION**

FIG. 1 is an upper perspective view of a tool holder showing my new design.  
FIG. 2 is a front elevation view thereof, a rear elevation view being identical;  
FIG. 3 is a side elevation view thereof, an opposite side elevation view being identical;  
FIG. 4 is a top plan view thereof;  
FIG. 5 is a bottom plan view; and,  
FIG. 6 is another upper perspective view of the tool holder. The features presented in broken lines in FIG. 6 represent unclaimed portions of the tool holder and form no part of the claimed design.

**1 Claim, 6 Drawing Sheets**



(56)

**References Cited**

U.S. PATENT DOCUMENTS

5,695,061 A \* 12/1997 Stompe ..... A47F 5/0068  
 206/449  
 D403,085 S \* 12/1998 Current ..... D25/123  
 6,325,223 B1 \* 12/2001 Hannen ..... A47F 5/0846  
 211/87.01  
 D511,581 S \* 11/2005 Holztrager ..... D25/123  
 7,093,726 B1 \* 8/2006 Holztrager ..... A47F 5/0043  
 211/153  
 7,108,141 B2 \* 9/2006 Gonzalez-Rivera ... B65D 85/30  
 206/454  
 D532,120 S \* 11/2006 Holztrager ..... D25/123  
 D533,283 S \* 12/2006 Holztrager ..... D25/123  
 7,228,977 B2 \* 6/2007 Perkins ..... A47B 83/001  
 211/87.01  
 D585,267 S \* 1/2009 Di Vinadio ..... D8/377  
 D611,743 S \* 3/2010 Mitten ..... D8/377  
 8,220,648 B2 \* 7/2012 Barkdoll ..... A47F 5/0846  
 211/94.01  
 D704,484 S \* 5/2014 Thrush ..... F16M 13/02  
 D6/683.1

2004/0124163 A1\* 7/2004 Perkins ..... A47B 21/06  
 211/94.01  
 2005/0000926 A1\* 1/2005 Bowers ..... A47F 7/30  
 211/94.01  
 2006/0180561 A1\* 8/2006 Wisnoski ..... A47F 5/0846  
 211/94.01  
 2007/0278168 A1\* 12/2007 Li ..... A47B 96/00  
 211/94.01  
 2015/0250334 A1\* 9/2015 Lung ..... A47F 5/0846  
 211/94.01

OTHER PUBLICATIONS

NPL #2: Slatwall Panels, TSLOTS, p. 135, 2012 catalog, posted at eagle-aluminum.com, posting date not listed © not listed, online, site visited Sep. 26, 2017. Available from Internet, URL: <https://eagle-aluminum.com/wp-content/uploads/2014/08/TSLOTS-catalog-2012.pdf> (Year: 2012).\*

NPL #3: T-slotted Table, Pryor Marking Technology, posted at pryormarking.com, posting date not listed © 2017 Pryor, online, site visited Sep. 26, 2017. Available from Internet, URL: <https://www.pryormarking.com/products/t-slotted-table> (Year: 2017).\*

\* cited by examiner

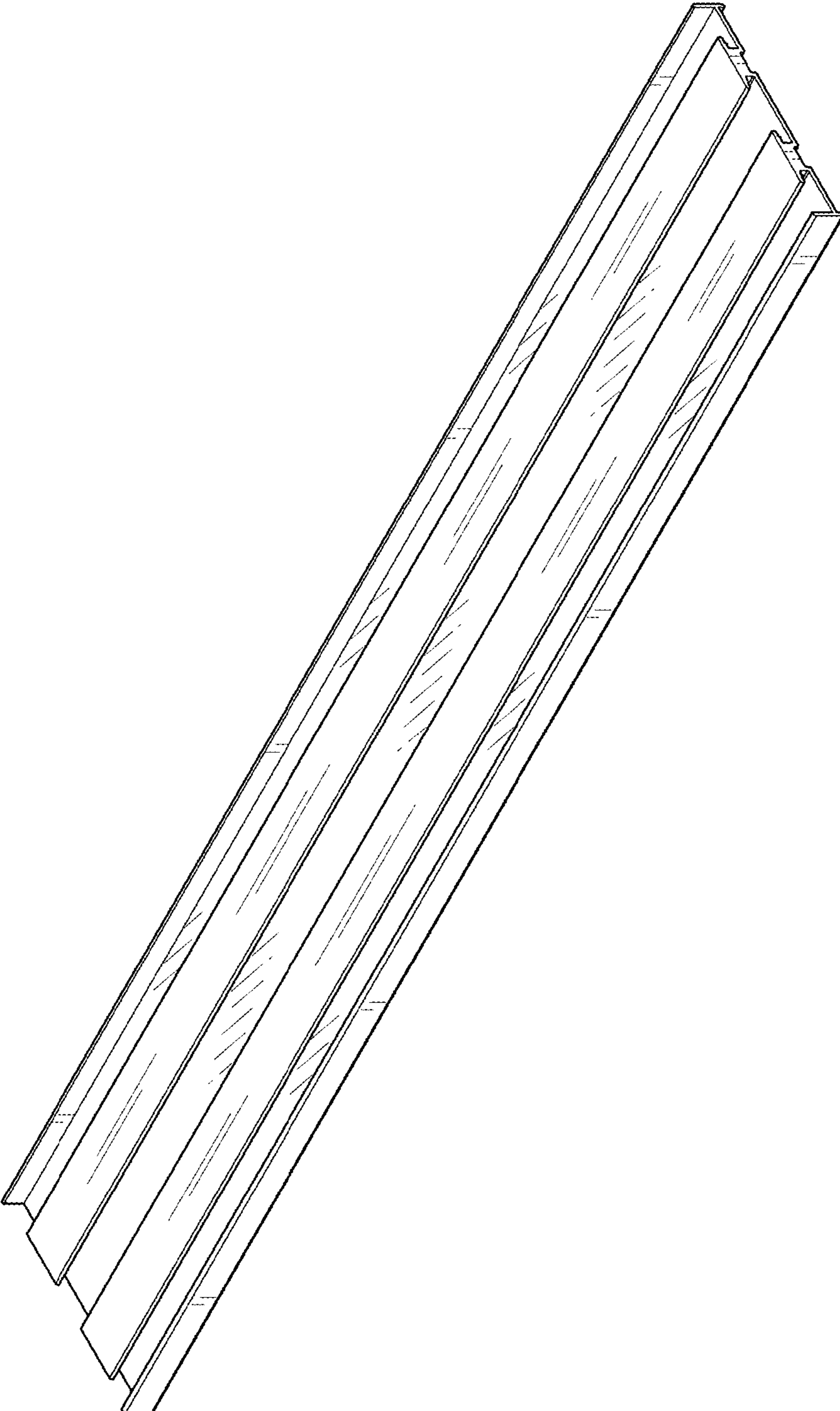


FIG. 1



FIG. 2



FIG. 3



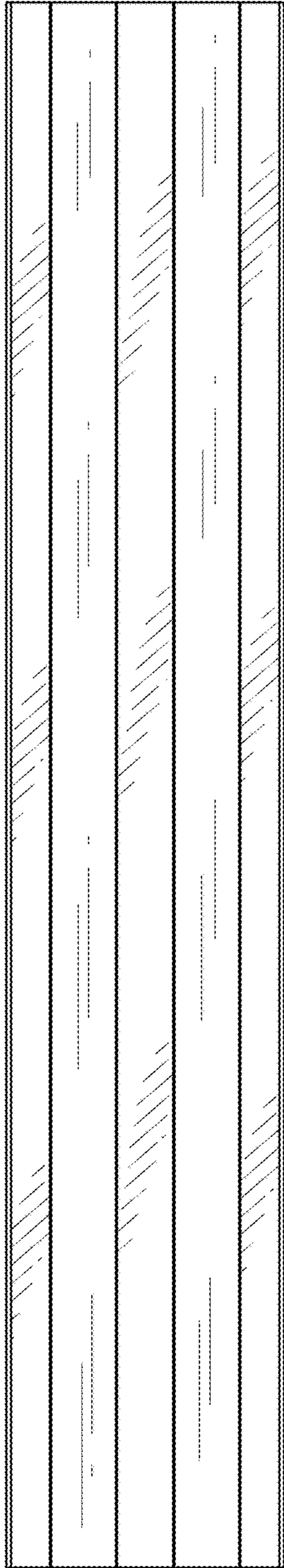


FIG. 4

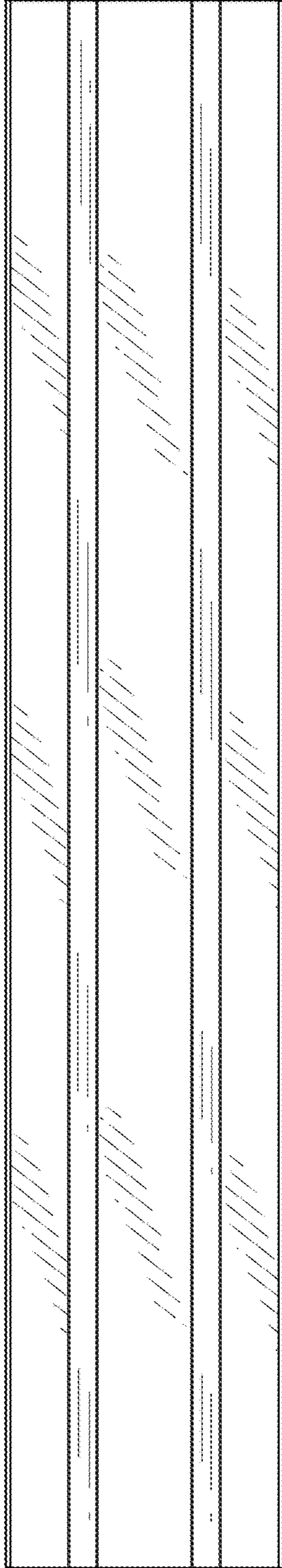


FIG. 5

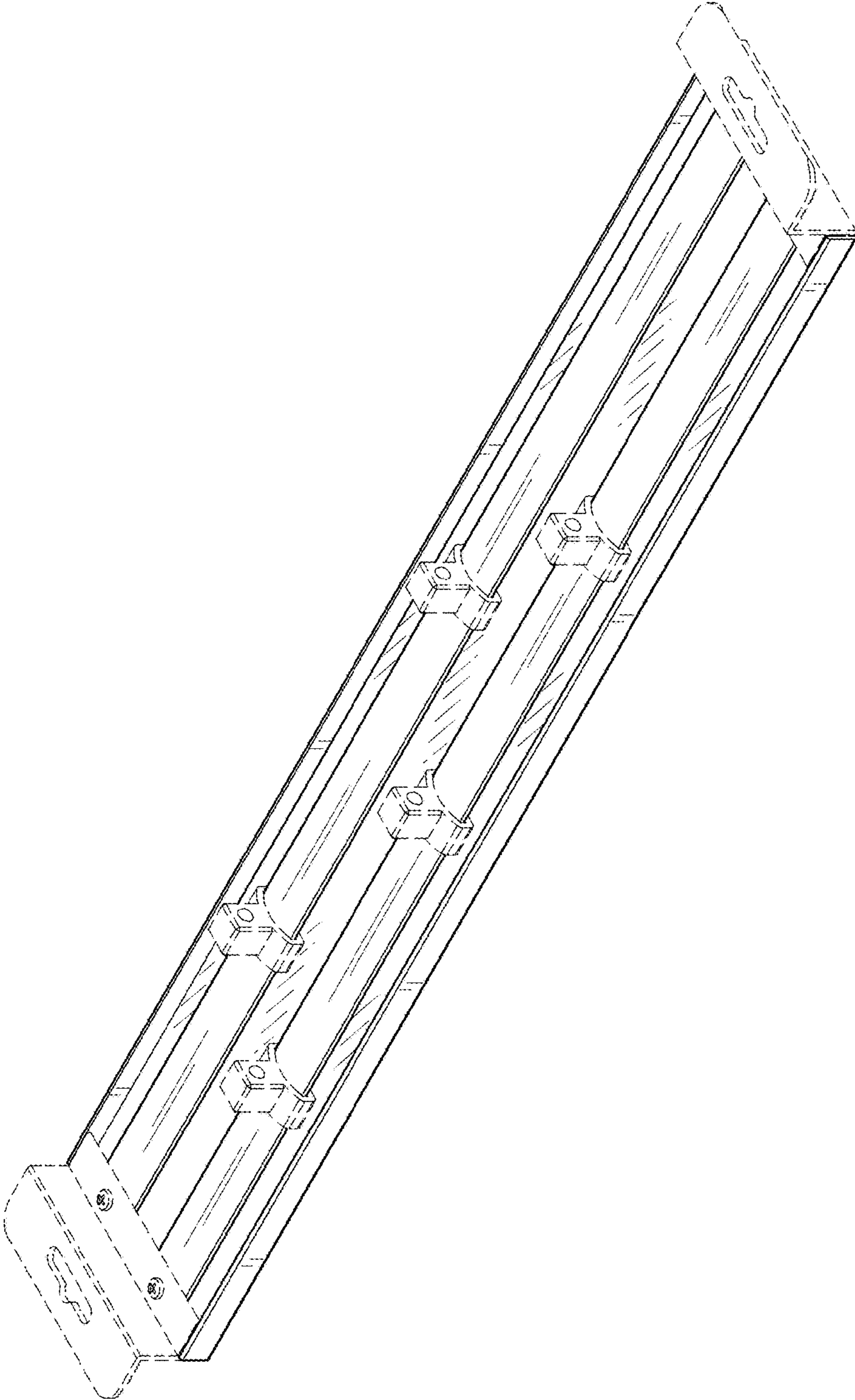


FIG. 6