



US00D813633S

(12) **United States Design Patent**
Waldron

(10) **Patent No.:** **US D813,633 S**
(45) **Date of Patent:** **** Mar. 27, 2018**

- (54) **POWER SAW TOOL**
- (71) Applicant: **7RDD Limited**, York, North Yorkshire (GB)
- (72) Inventor: **Michael Waldron**, York (GB)
- (73) Assignee: **7RDD Limited**, York, North Yorkshire (GB)
- (**) Term: **15 Years**
- (21) Appl. No.: **29/582,477**
- (22) Filed: **Oct. 27, 2016**
- (51) **LOC (11) Cl.** **08-03**
- (52) **U.S. Cl.**
USPC **D8/66**
- (58) **Field of Classification Search**
USPC D8/69, 68, 67, 66, 64, 61, 70; 83/698.41, 83/747, 166.3, 374, 373, 375, 376, 391, 83/377, 390, 388, 389; 30/122, 124, 329; 144/218; D21/532
CPC B27B 9/00; B27B 9/02; B27B 5/02; B27B 5/18; B27B 33/08; B28D 1/04; B28D 1/045; B23D 45/00; B23D 45/16; B23D 47/02
See application file for complete search history.

- D573,432 S * 7/2008 Gavins D8/66
- 7,963,829 B2 * 6/2011 Gwyther A22B 5/163
452/133
- D642,886 S * 8/2011 Sciamma D8/66
- D648,999 S * 11/2011 Moreno D8/66
- D711,716 S * 8/2014 Tinius D8/65
- D754,509 S * 4/2016 Lee D8/66

* cited by examiner

Primary Examiner — Austin Murphy

(74) *Attorney, Agent, or Firm* — McKee, Voorhees & Sease, PLC

(57) **CLAIM**

The ornamental design for a power saw tool, as shown and described.

DESCRIPTION

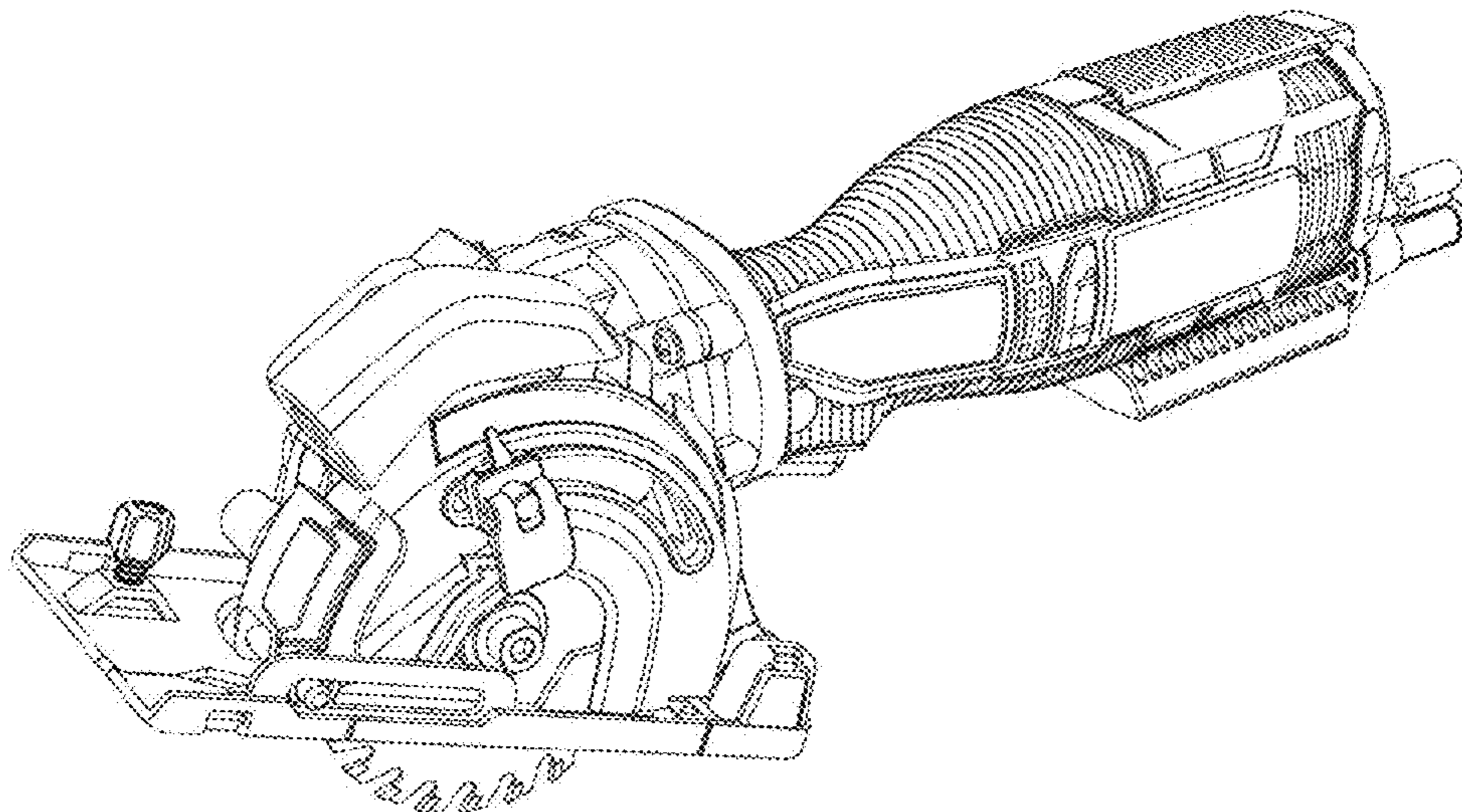
FIG. 1 is a perspective view of a power saw tool according to the present invention;
 FIG. 2 is a front view of the power saw tool shown in FIG. 1;
 FIG. 3 is a rear view of the power saw tool shown in FIG. 1;
 FIG. 4 is a left side view of the power saw tool shown in FIG. 1;
 FIG. 5 is a right side view of the power saw tool shown in FIG. 1;
 FIG. 6 is a top view of the power saw tool shown in FIG. 1; and,
 FIG. 7 is a bottom view of the power saw tool shown in FIG. 1.

1 Claim, 4 Drawing Sheets

(56) **References Cited**

U.S. PATENT DOCUMENTS

- D282,142 S * 1/1986 Siravo D8/66
- D316,220 S * 4/1991 Ailey, Jr. D8/66
- D521,680 S * 5/2006 Chen D27/148



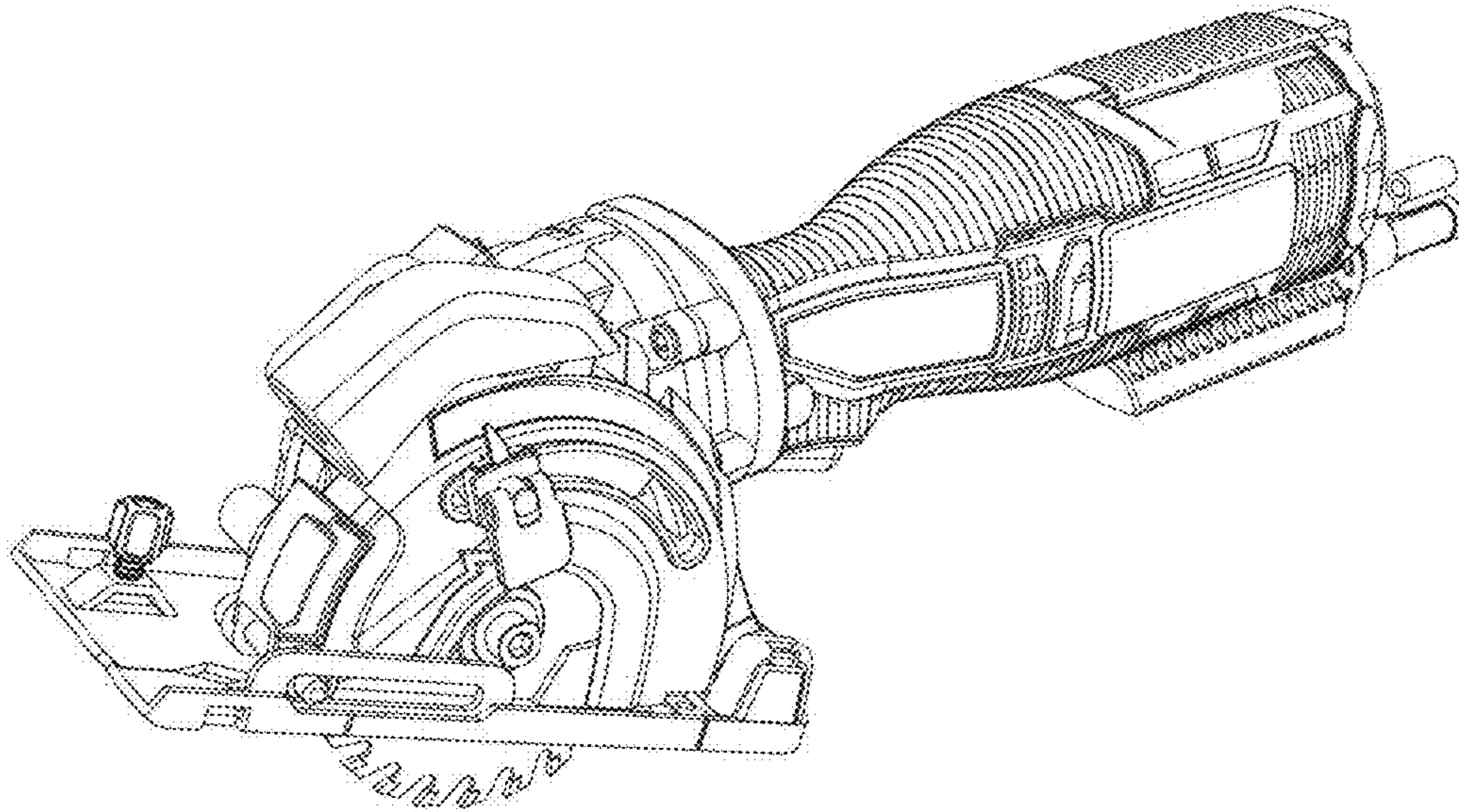


Fig. 1

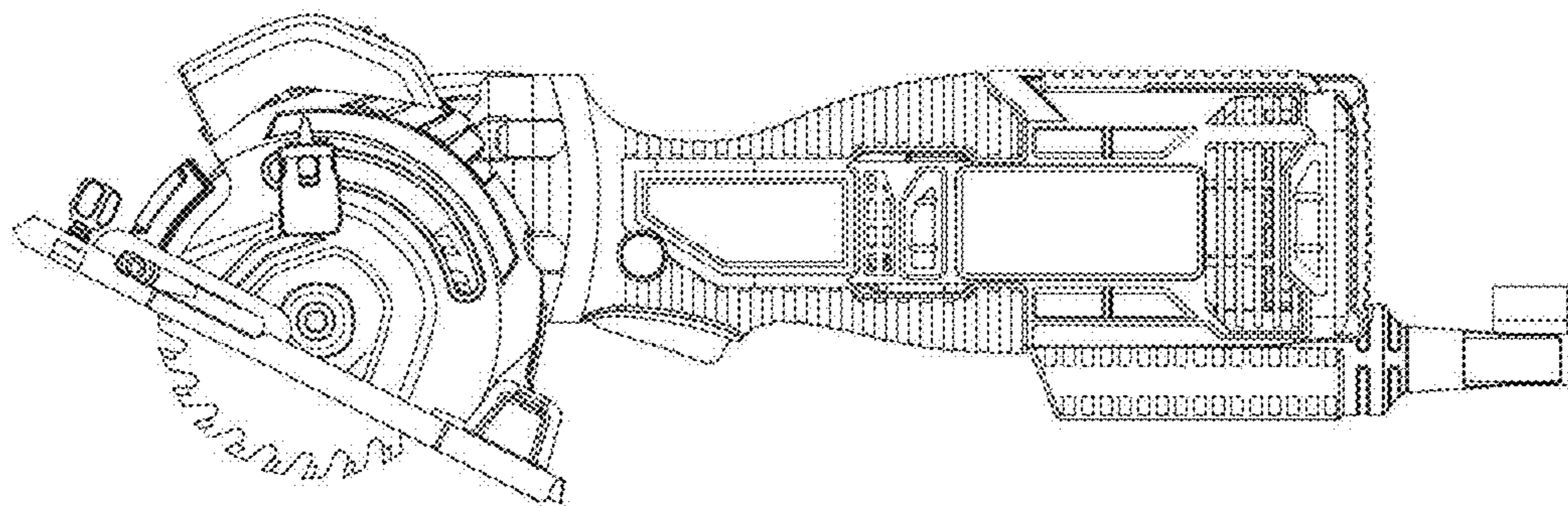


Fig. 2

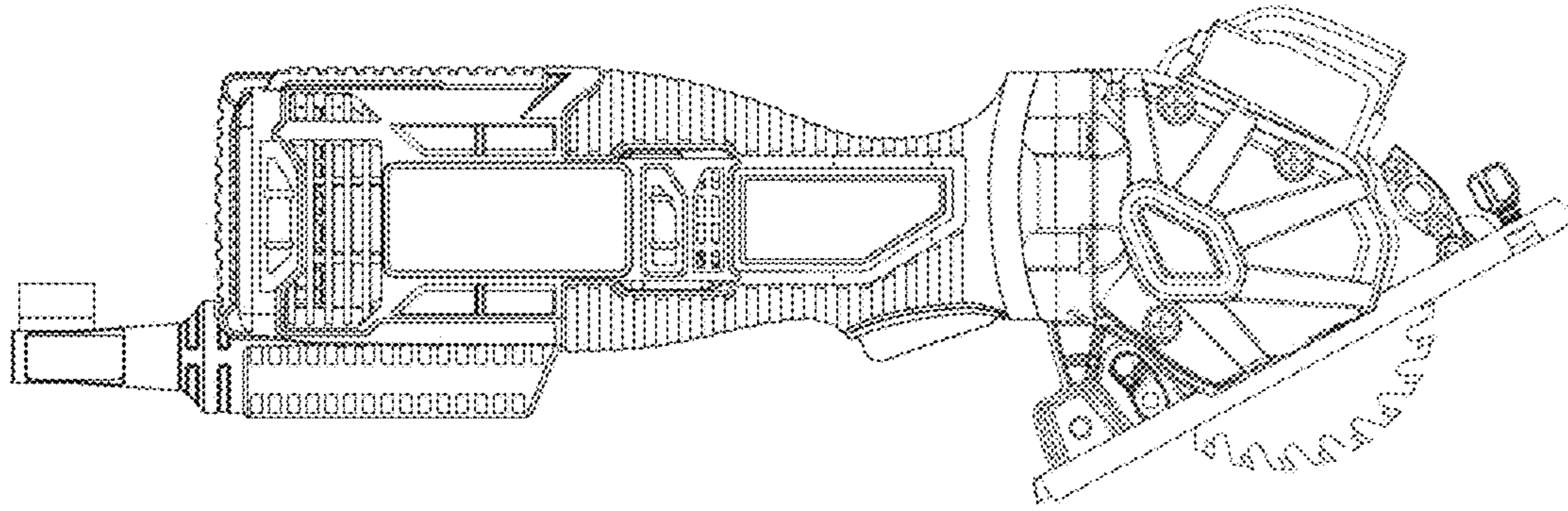


Fig. 3

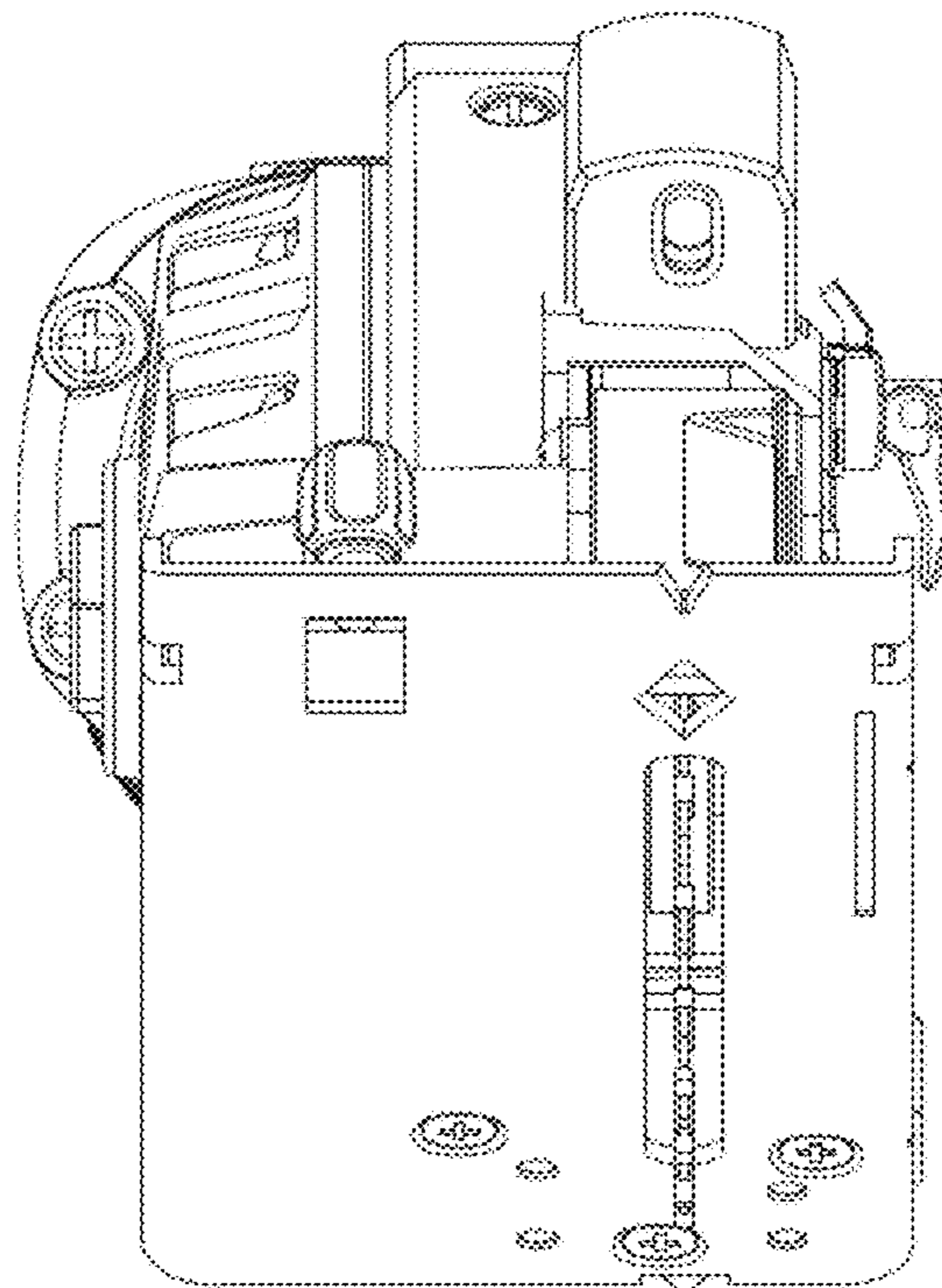


Fig. 4

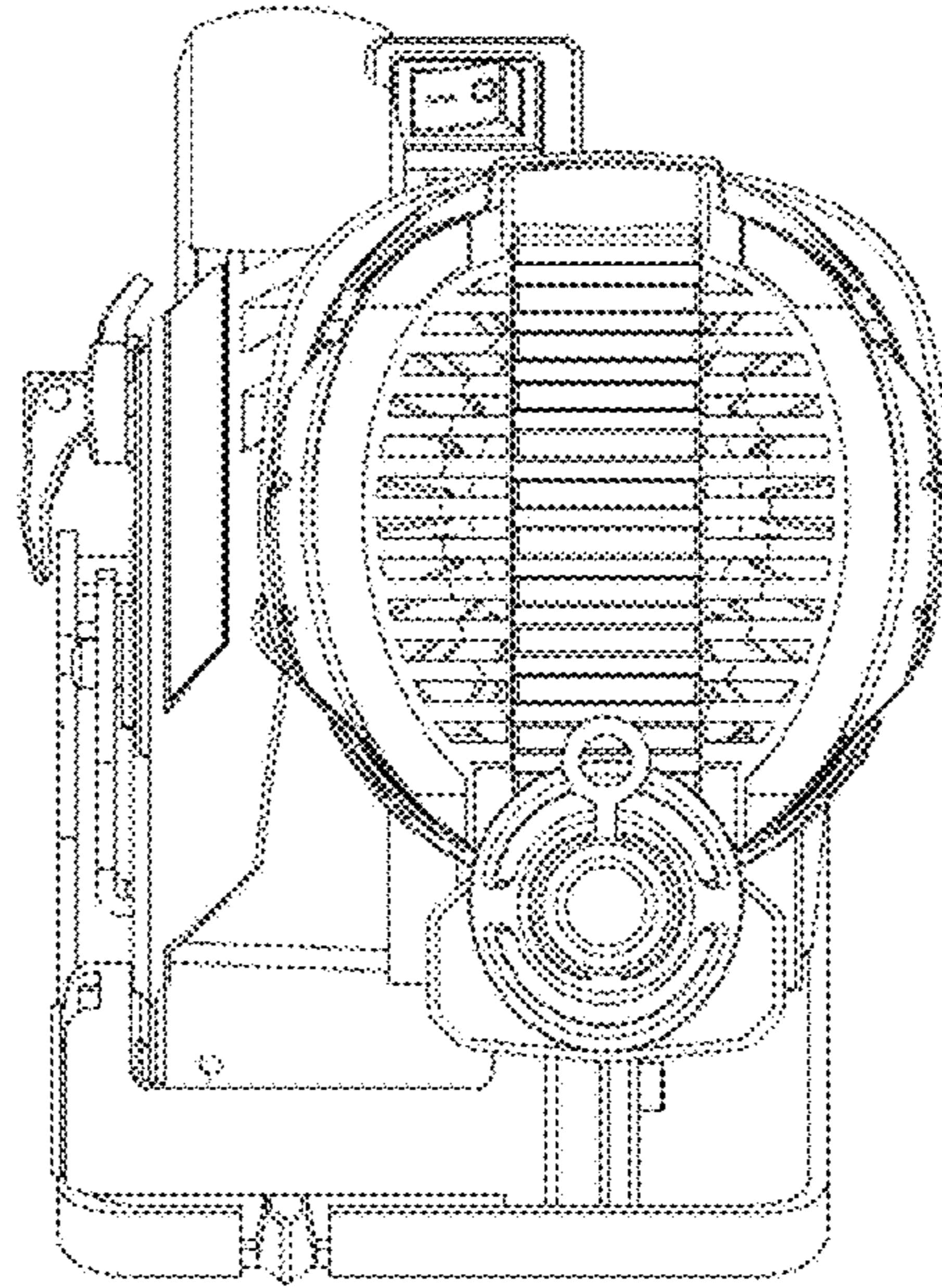


Fig. 5

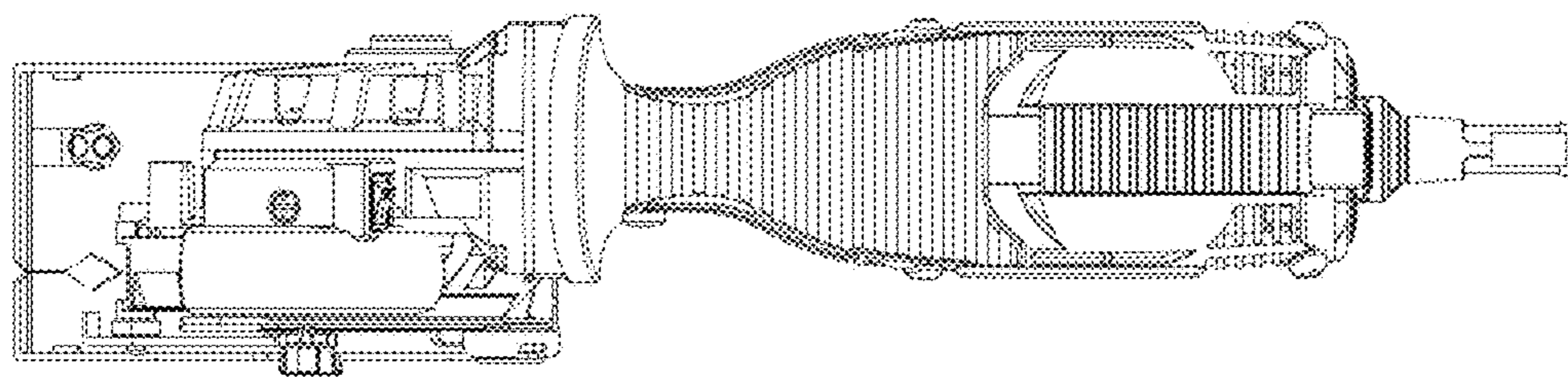


Fig. 6

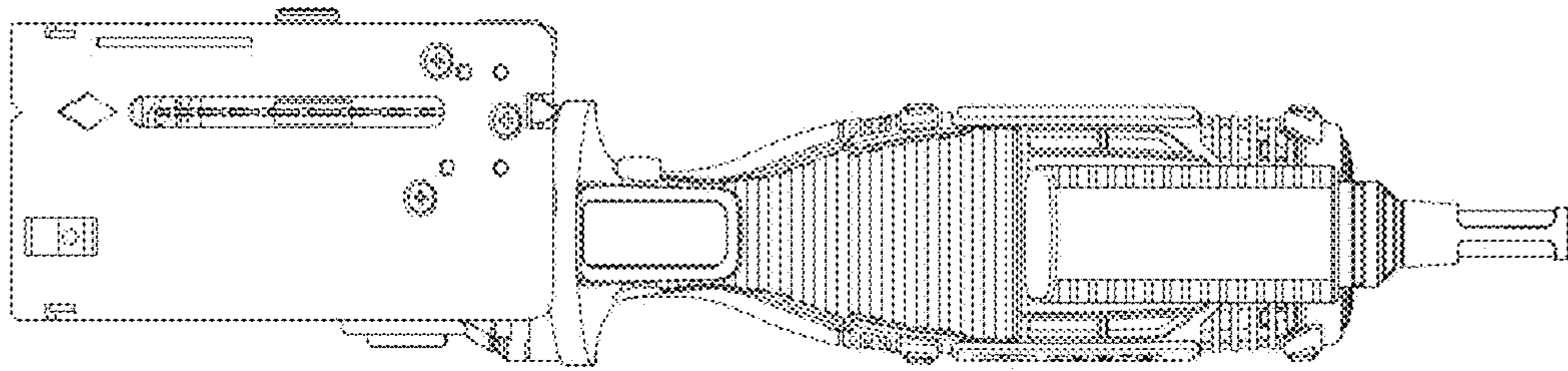


Fig. 7