



US00D813632S

(12) **United States Design Patent**  
**Croghan**

(10) **Patent No.:** **US D813,632 S**

(45) **Date of Patent:** **\*\* Mar. 27, 2018**

(54) **AC OSCILLATING TOOL**

(71) Applicant: **7RDD Limited**, North Yorkshire (GB)

(72) Inventor: **Eamon Croghan**, Yorkshire (GB)

(73) Assignee: **7RDD Limited**, Dunnington, York (GB)

(\*\*) Term: **15 Years**

(21) Appl. No.: **29/598,130**

(22) Filed: **Mar. 23, 2017**

(51) **LOC (11) Cl.** ..... **08-01**

(52) **U.S. Cl.**  
USPC ..... **D8/64**

(58) **Field of Classification Search**  
USPC ..... D8/61, 62, 67, 69; 81/57, 57.11, 57.14,  
81/57.26, 429, 464, 469; 173/2, 170,  
173/176, 181  
CPC ..... B24B 23/04  
See application file for complete search history.

(56) **References Cited**

**U.S. PATENT DOCUMENTS**

D559,639 S \* 1/2008 Henssler ..... D8/61  
D567,046 S \* 4/2008 Henssler ..... D8/61

D598,260 S \* 8/2009 Jerome ..... D8/61  
D602,756 S \* 10/2009 Henssler ..... D8/61  
D647,771 S \* 11/2011 Schoch ..... D8/61  
D650,254 S \* 12/2011 Schoch ..... D8/61  
D662,800 S \* 7/2012 Blythe ..... D8/61  
D663,181 S \* 7/2012 Zhou ..... D8/61  
D705,626 S \* 5/2014 Schoch ..... D8/64

\* cited by examiner

*Primary Examiner* — Austin Murphy

(74) *Attorney, Agent, or Firm* — Woodard, Emhardt,  
Moriarty, McNett & Henry, LLP

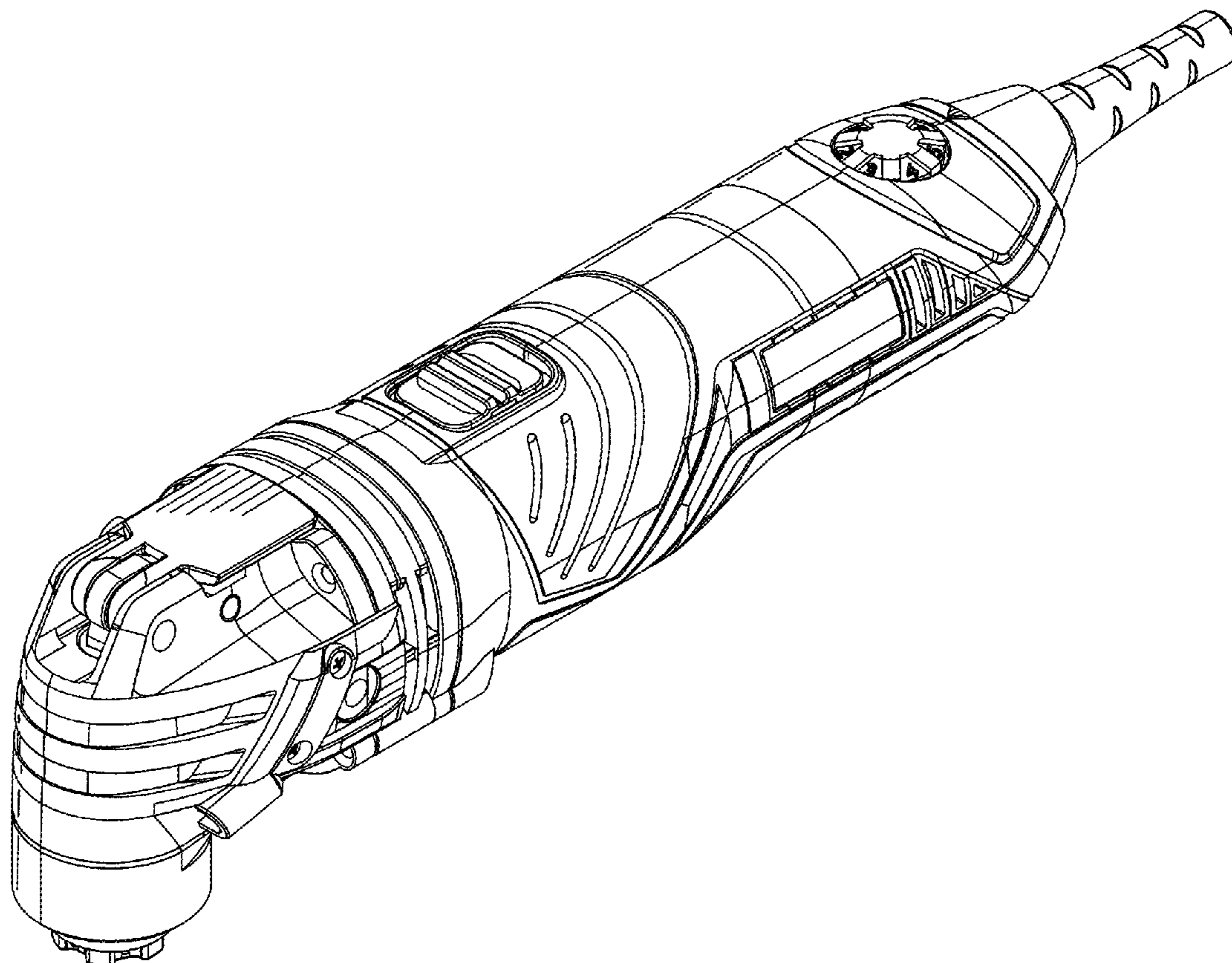
(57) **CLAIM**

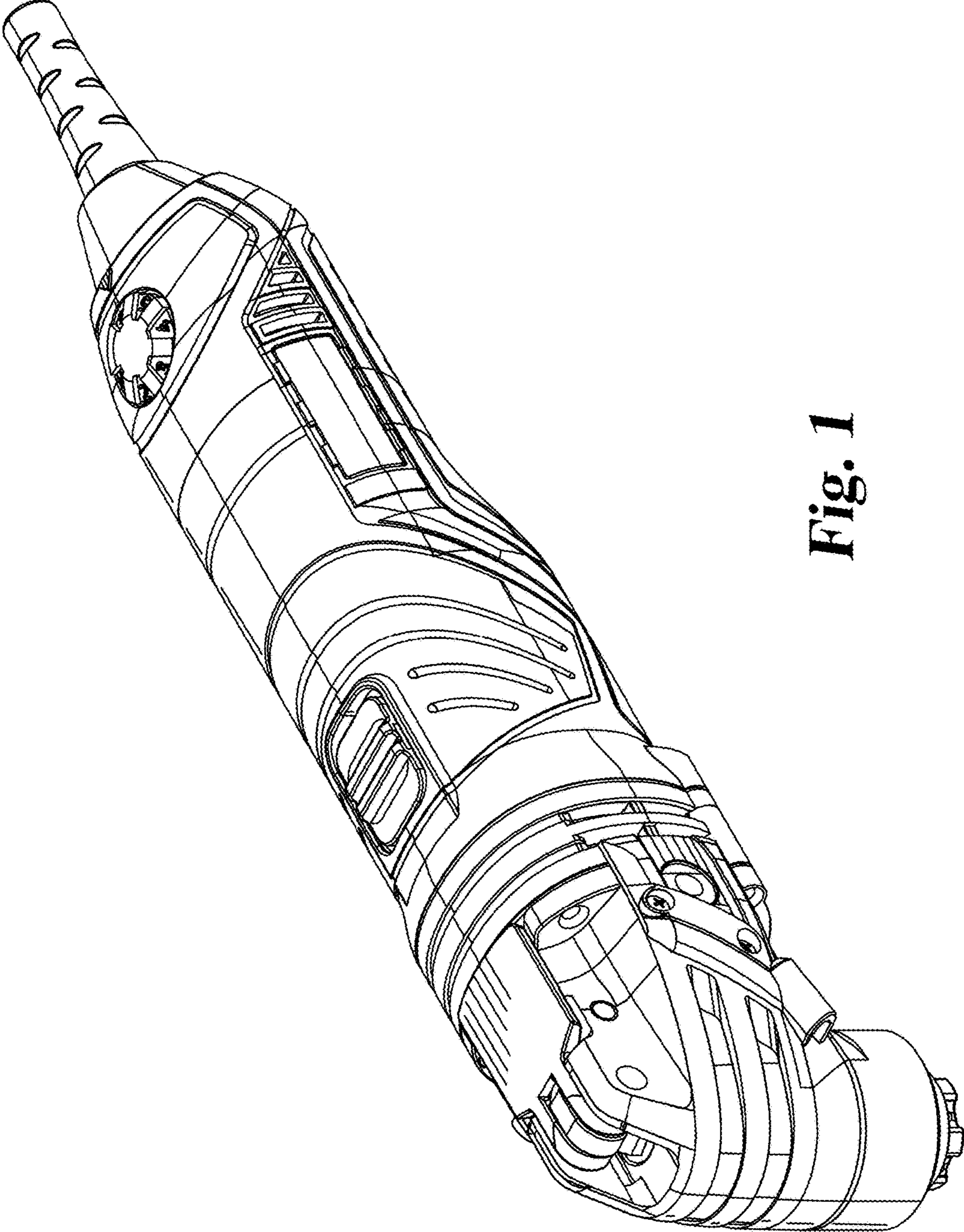
The ornamental design for an AC oscillating tool, as shown and described.

**DESCRIPTION**

FIG. 1 is a top perspective view of the AC oscillating tool according to my new design;  
FIG. 2 is a right side view thereof;  
FIG. 3 is a left side view thereof;  
FIG. 4 is a front view thereof;  
FIG. 5 is a rear view thereof;  
FIG. 6 is a top view thereof; and,  
FIG. 7 is a bottom view thereof.

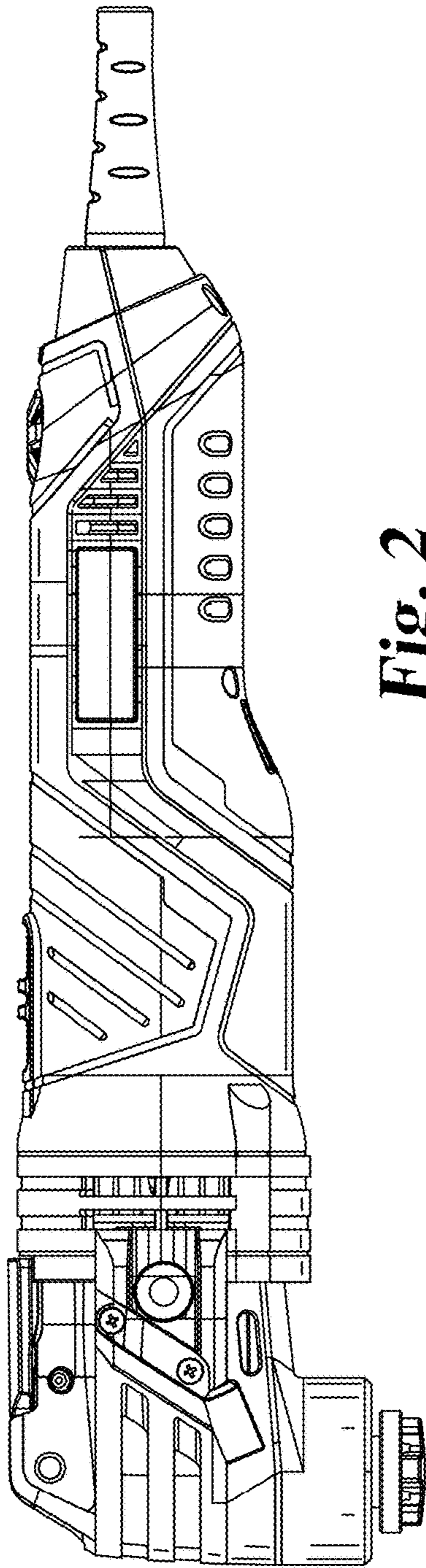
**1 Claim, 4 Drawing Sheets**



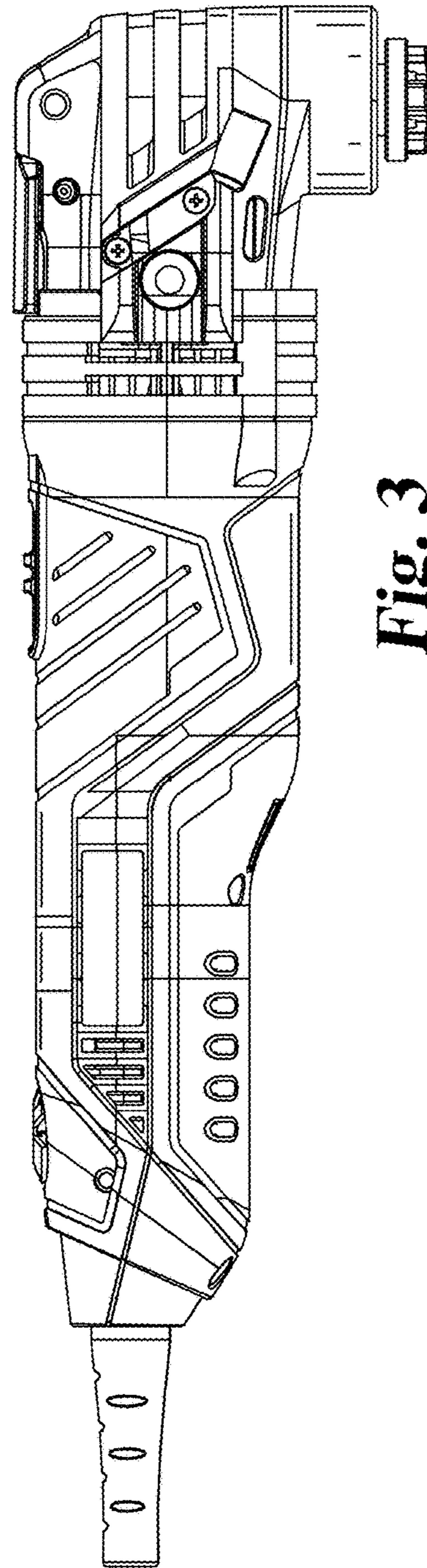


**Fig. 1**

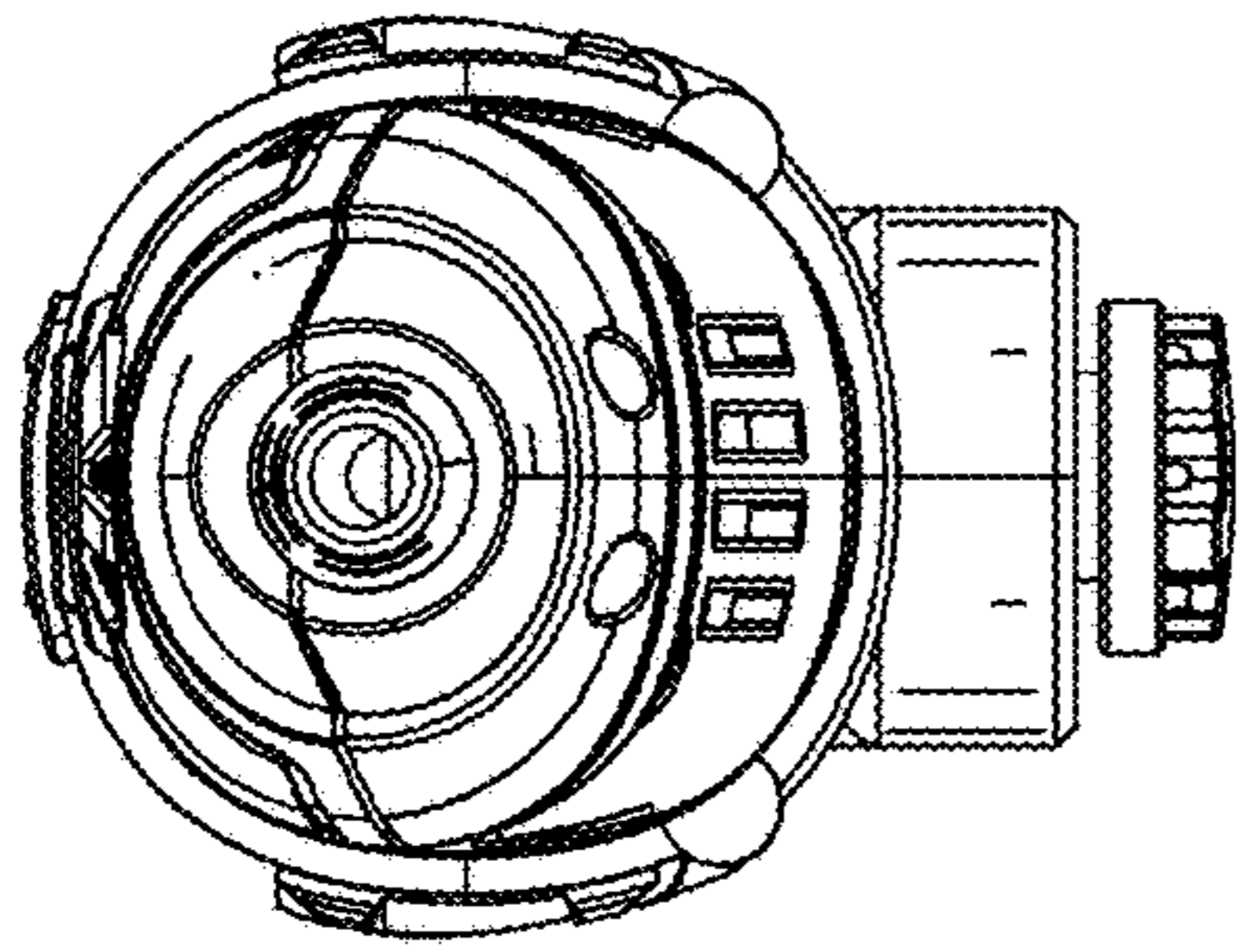




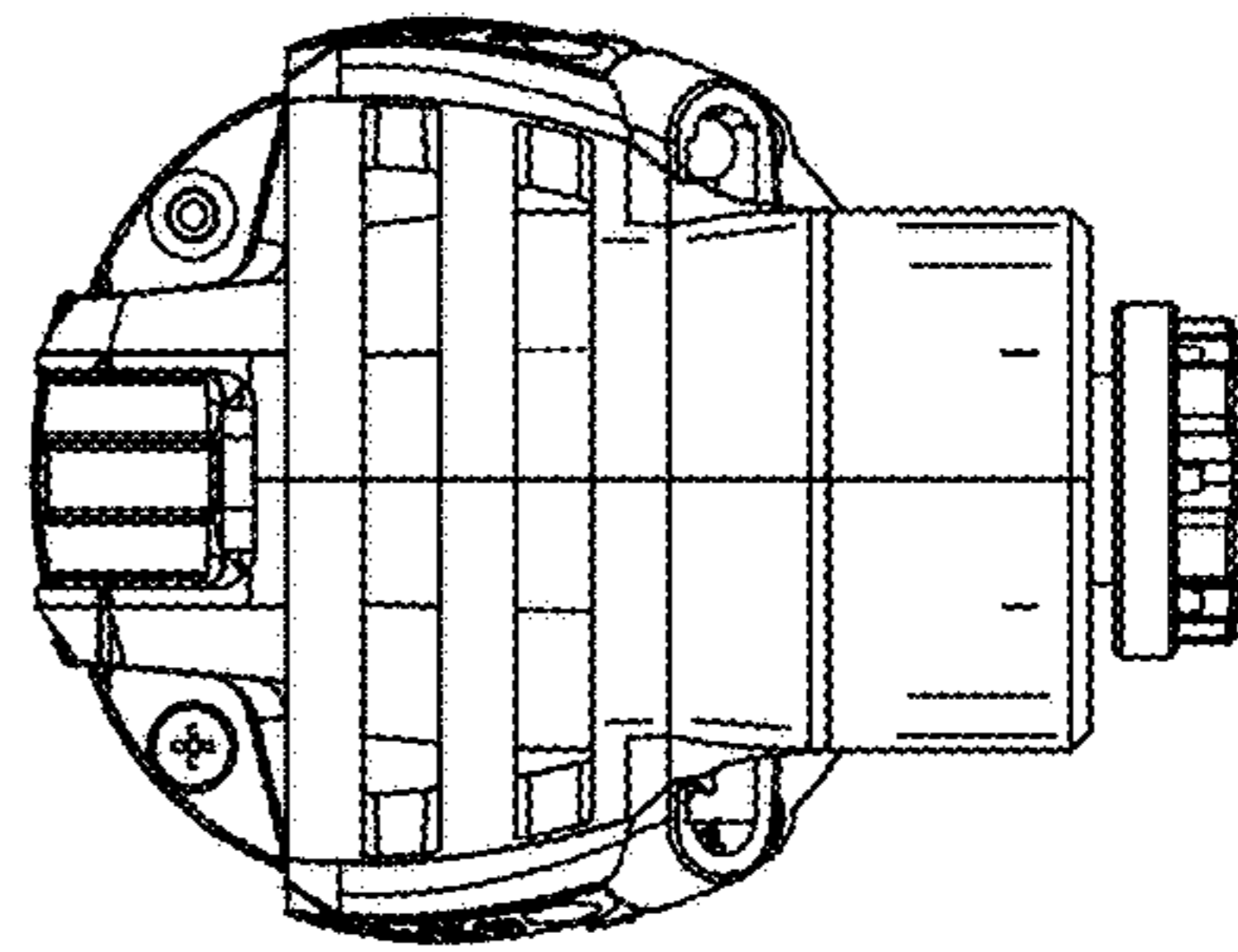
**Fig. 2**



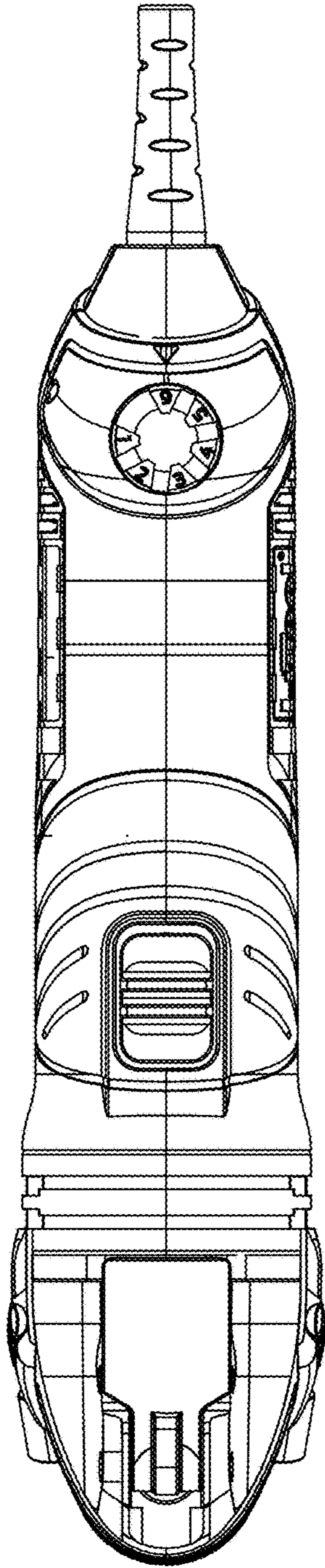
**Fig. 3**



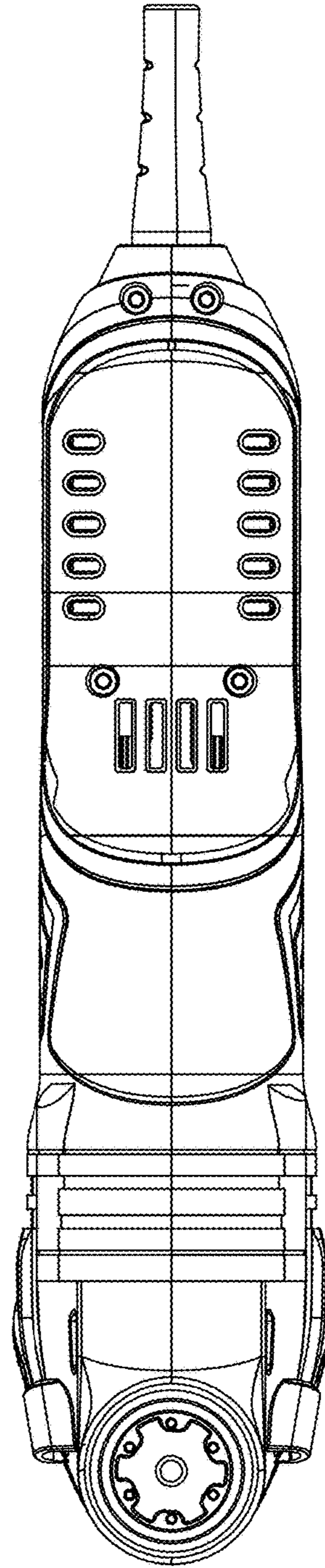
**Fig. 4**



**Fig. 5**



**Fig. 6**



**Fig. 7**