



US00D813629S

(12) **United States Design Patent**
Tsai

(10) **Patent No.:** **US D813,629 S**
(45) **Date of Patent:** **** Mar. 27, 2018**

(54) **GAS SOLDERING IRON**
(71) Applicant: **Chin-Lin Tsai**, New Taipei (TW)
(72) Inventor: **Chin-Lin Tsai**, New Taipei (TW)
(**) Term: **15 Years**
(21) Appl. No.: **29/587,254**
(22) Filed: **Dec. 12, 2016**

(30) **Foreign Application Priority Data**

Jul. 14, 2016 (TW) 105304018

(51) **LOC (11) Cl.** **08-05**
(52) **U.S. Cl.**
USPC **D8/30**

(58) **Field of Classification Search**
USPC D8/29.1, 29.2, 30; D15/144, 144.1,
D15/144.2; D24/144
CPC B23K 3/033; B23K 3/022; B23K 3/021;
B23K 3/023; B23K 3/0346
See application file for complete search history.

(56) **References Cited**

U.S. PATENT DOCUMENTS

4,688,552 A * 8/1987 Tsai B23K 3/022
126/414
D300,297 S * 3/1989 Arehart D8/30
D317,704 S * 6/1991 Zaborowski D8/30
D330,998 S * 11/1992 Watmore D8/30

5,803,061 A * 9/1998 Kao B23K 3/022
126/413
5,928,536 A * 7/1999 Lee B23K 3/033
219/229
D442,447 S * 5/2001 Fujiwara D8/30
6,805,275 B1 * 10/2004 Kao B23K 3/022
126/413
6,874,671 B2 * 4/2005 Hirano B23K 3/022
126/414
9,314,863 B2 * 4/2016 Teraoka B23K 3/033

* cited by examiner

Primary Examiner — Phillip S Hyder

(74) *Attorney, Agent, or Firm* — Guice Patents PLLC

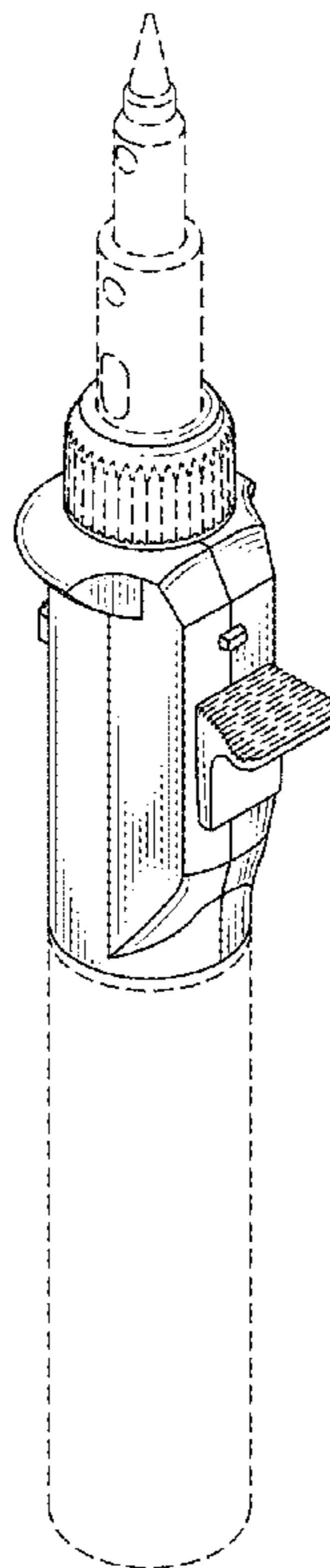
(57) **CLAIM**

The ornamental design for gas soldering iron, as shown and described.

DESCRIPTION

FIG. 1 is a perspective view of a gas soldering iron showing the design;
FIG. 2 is a front side view thereof;
FIG. 3 is a rear side view thereof;
FIG. 4 is a left side view thereof;
FIG. 5 is a right side view thereof;
FIG. 6 is a top elevation view thereof; and,
FIG. 7 is a bottom elevation view thereof.
The broken lines are included for the purpose of illustrating portions of the gas soldering iron that form no part of the claimed design.

1 Claim, 4 Drawing Sheets



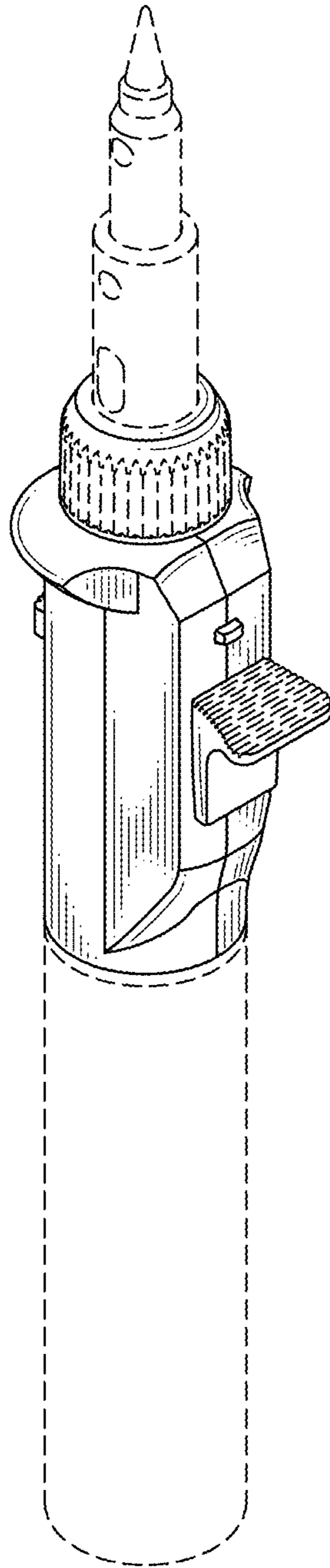


FIG. 1

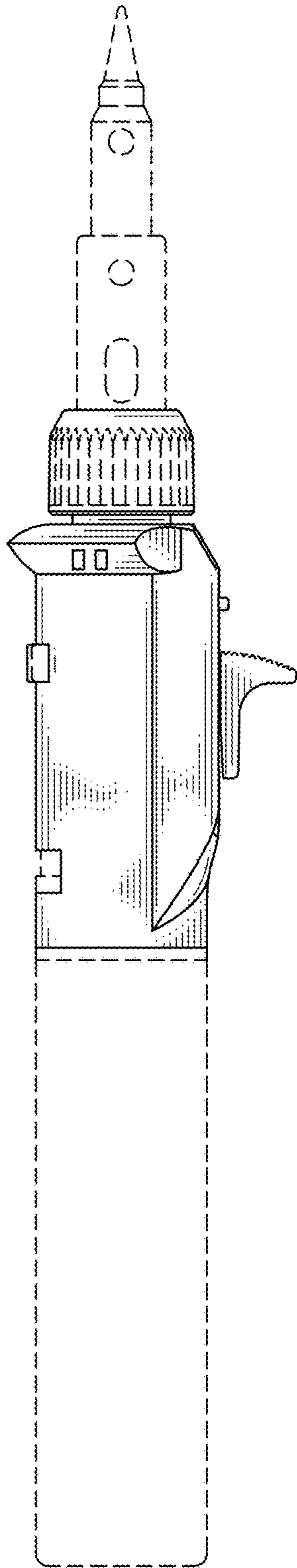


FIG. 2

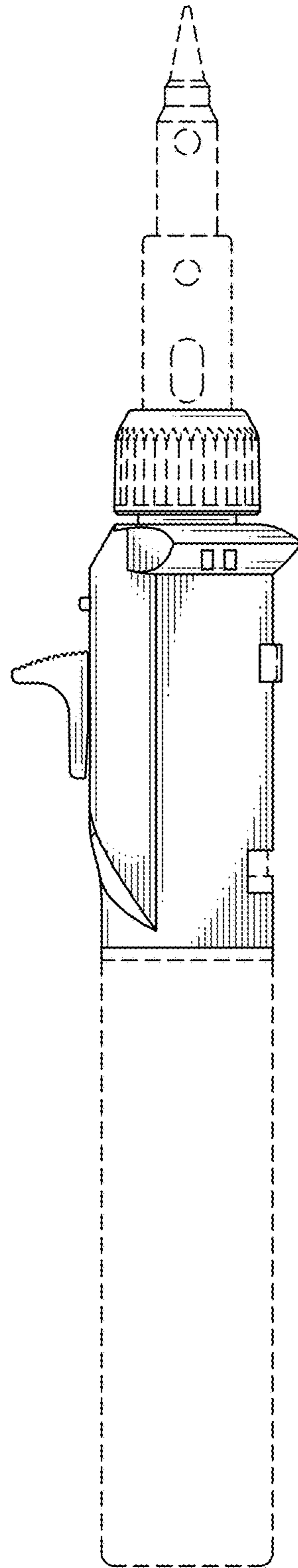


FIG. 3

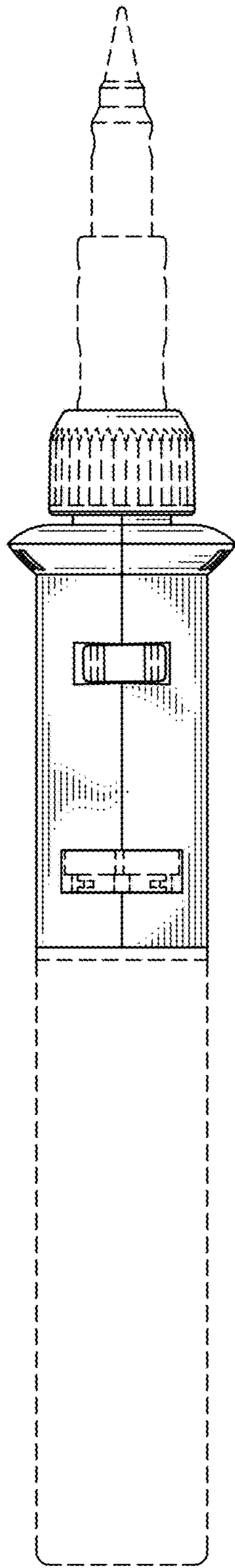


FIG. 4

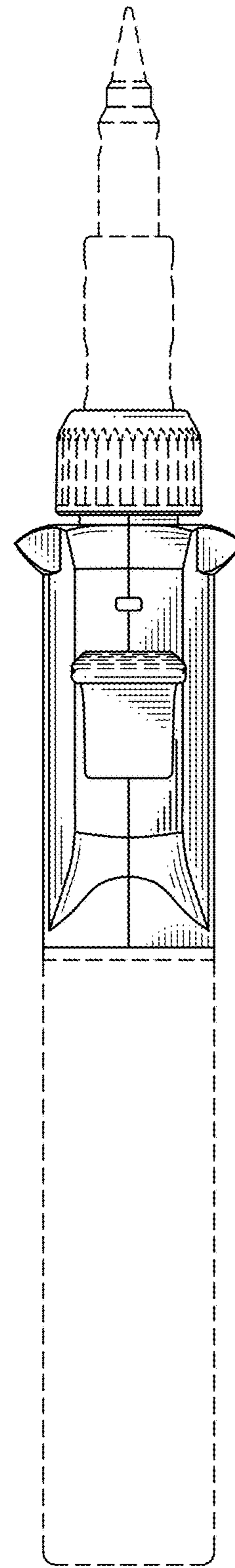


FIG. 5

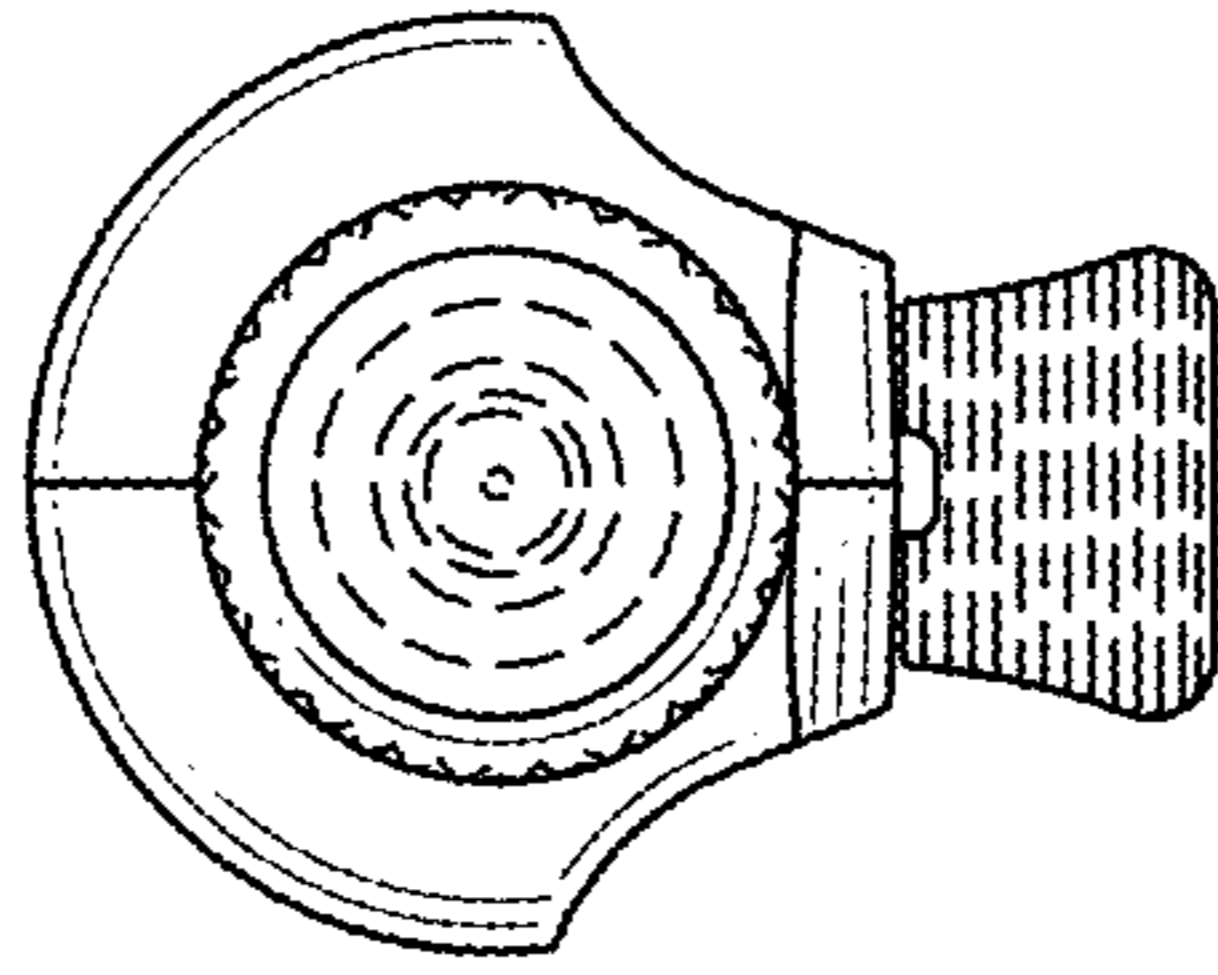


FIG. 6

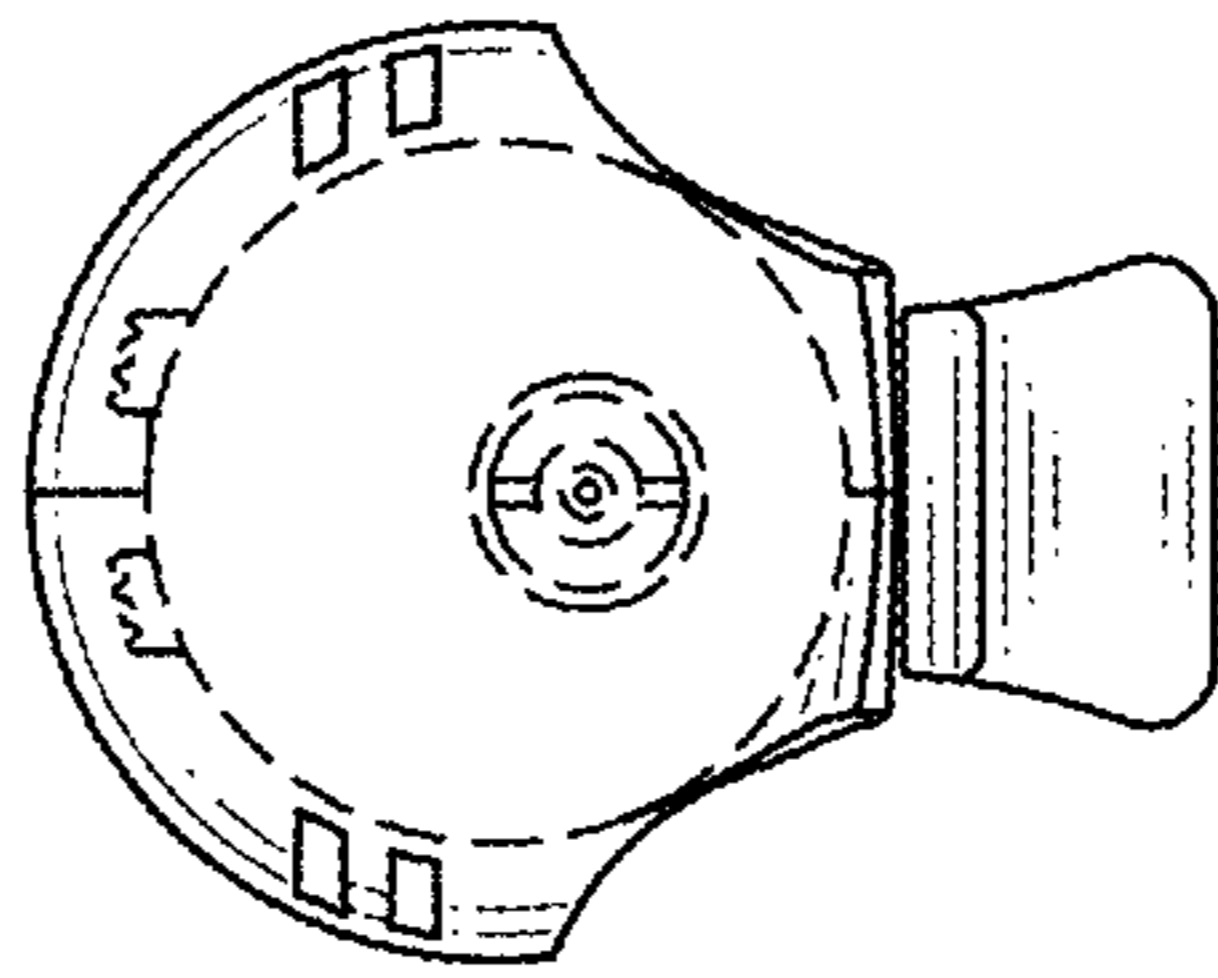


FIG. 7