



US00D813627S

(12) **United States Design Patent** (10) **Patent No.:** **US D813,627 S**
Tsai (45) **Date of Patent:** **** Mar. 27, 2018**

(54) **GAS TORCH**
(71) Applicant: **Chin-Lin Tsai**, New Taipei (TW)
(72) Inventor: **Chin-Lin Tsai**, New Taipei (TW)
(**) Term: **15 Years**
(21) Appl. No.: **29/587,234**
(22) Filed: **Dec. 12, 2016**
(51) **LOC (11) Cl.** **08-05**
(52) **U.S. Cl.**
USPC **D8/30; D15/144.1**
(58) **Field of Classification Search**
USPC D8/30, 107; D15/144, 144.1, 144.2
CPC B23K 9/00; B23K 9/1087; B23K 9/0953;
B23K 9/124; B23K 9/325; B23K 9/287;
B23K 9/32; B23K 9/295
See application file for complete search history.

(56) **References Cited**
U.S. PATENT DOCUMENTS
6,025,574 A * 2/2000 Colangelo, Jr. B23K 9/295
200/43.17
D555,446 S * 11/2007 Picaza Ibarrodo D15/144
D578,849 S * 10/2008 Whited D8/30
D638,270 S * 5/2011 Flattinger D8/107

D703,251 S * 4/2014 Raboin D15/144.2
D711,946 S * 8/2014 Raboin D15/144.2
D718,358 S * 11/2014 McKinley D15/144.2
D735,002 S * 7/2015 Bondy D8/30
2004/0166454 A1* 8/2004 Zwicker F23D 14/38
431/263
2007/0164006 A1* 7/2007 Burgstaller B23K 9/0953
219/130.01
2011/0062131 A1* 3/2011 Binzel B23K 9/1087
219/136

* cited by examiner

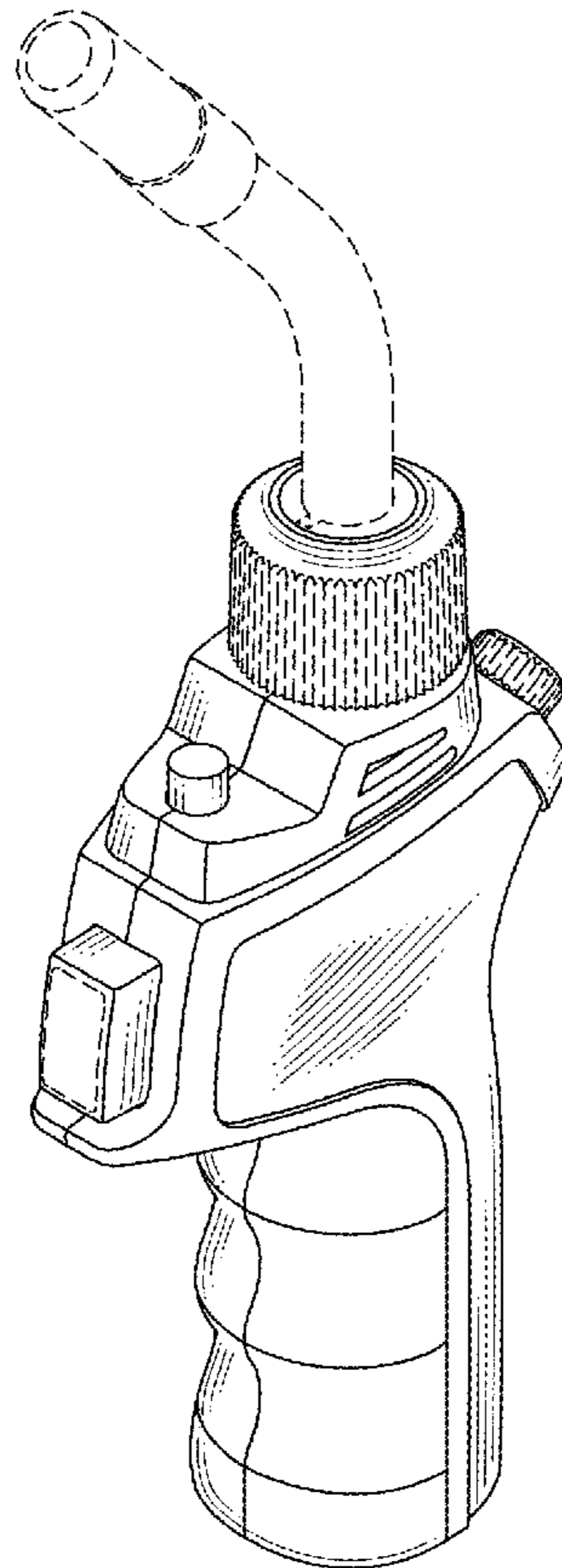
Primary Examiner — Philip S Hyder
(74) *Attorney, Agent, or Firm* — Guice Patents PLLC

(57) **CLAIM**
The ornamental design for gas torch, as shown and described.

DESCRIPTION

FIG. 1 is a perspective view of gas torch showing the design; FIG. 2 is a front side view thereof; FIG. 3 is a rear side view thereof; FIG. 4 is a left side view thereof; FIG. 5 is a right side view thereof; FIG. 6 is a top elevation view thereof; and, FIG. 7 is a bottom elevation view thereof. The broken lines are included for the purpose of illustrating portions of the gas torch that form no part of the claimed design.

1 Claim, 5 Drawing Sheets



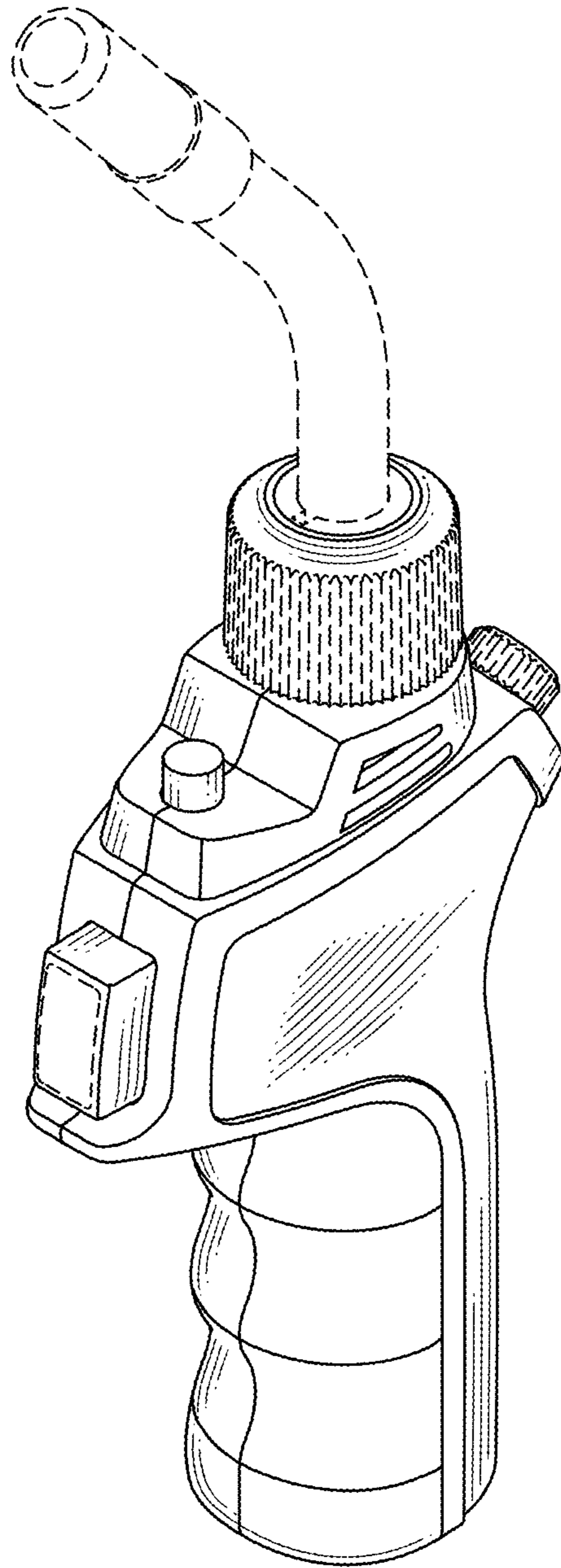


FIG. 1

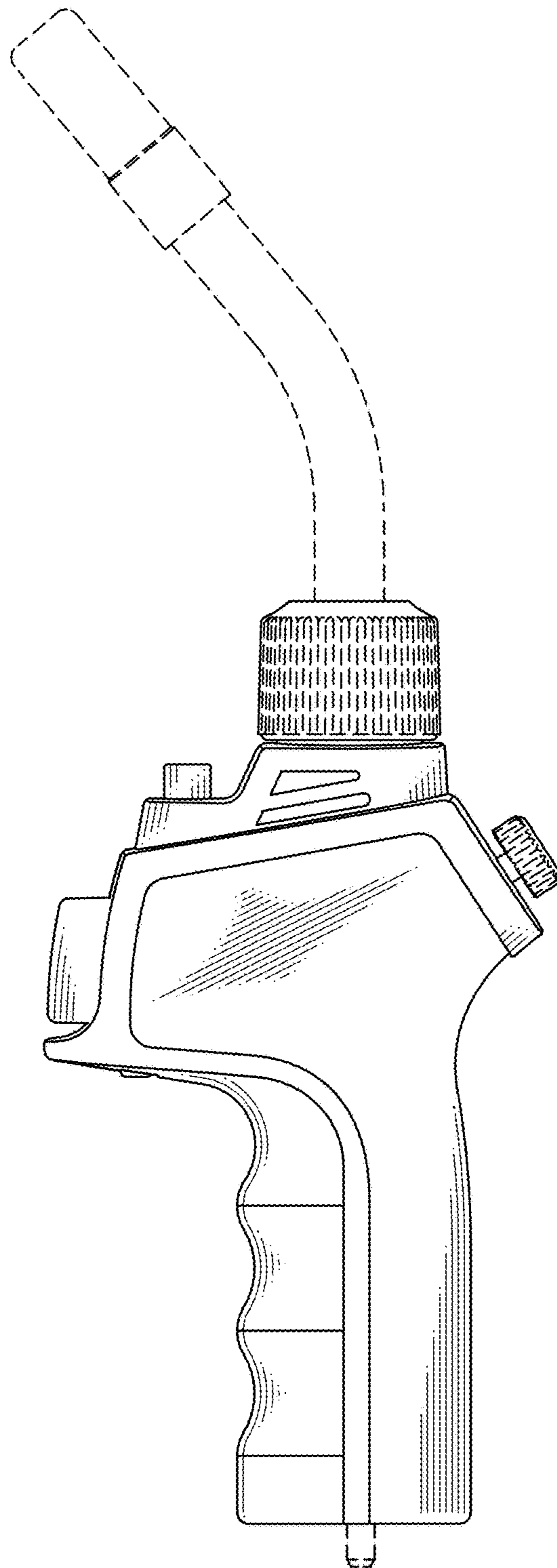


FIG. 2

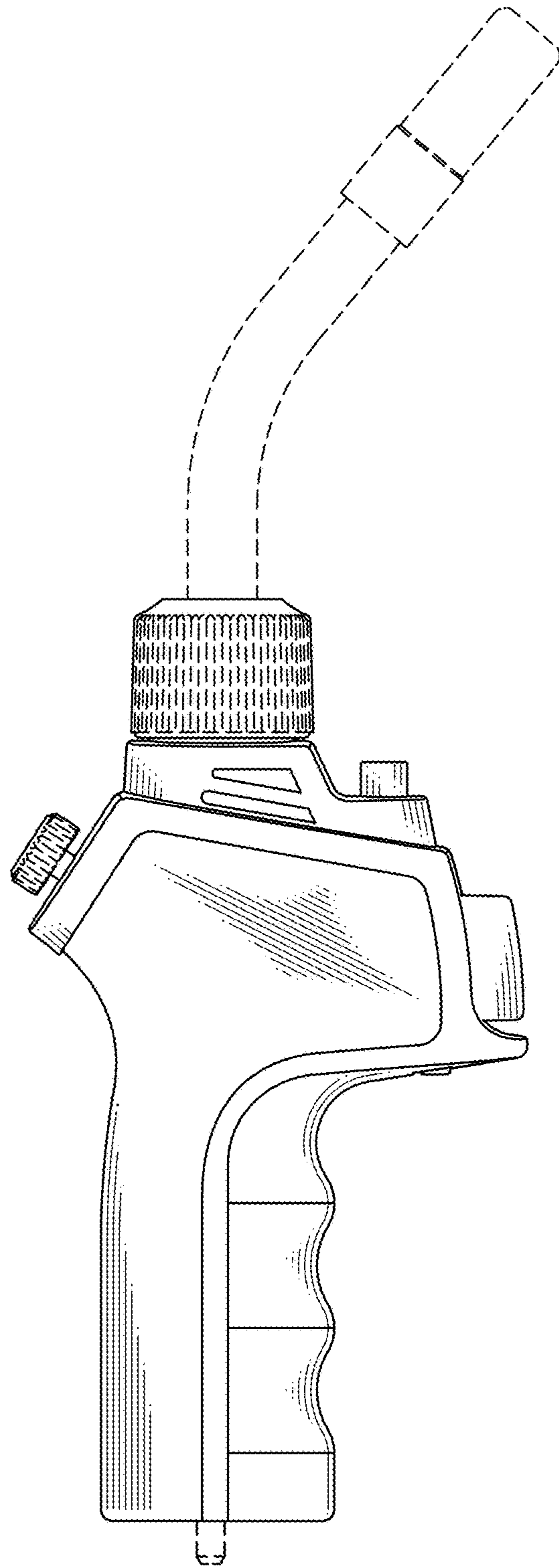


FIG. 3

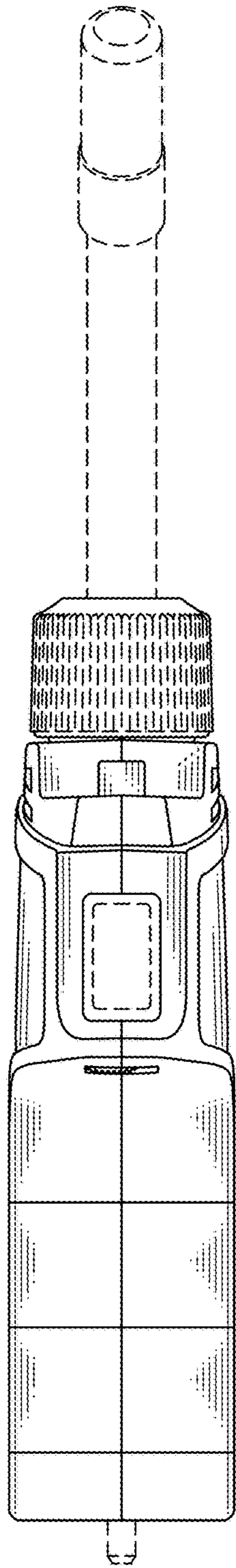


FIG. 4

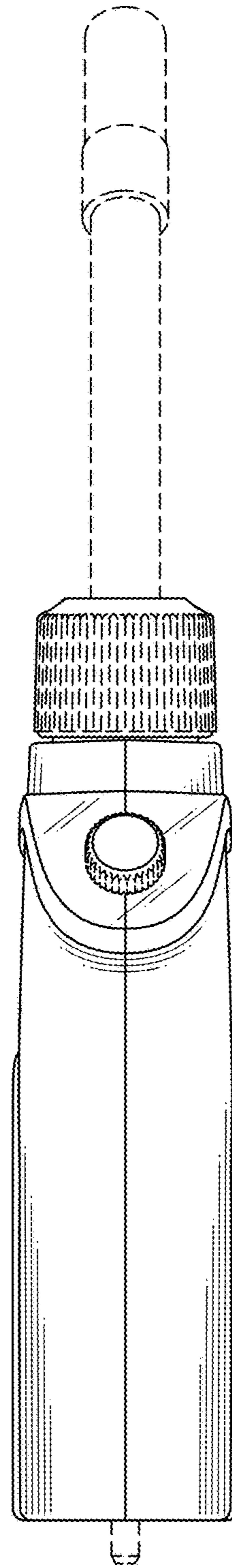


FIG. 5

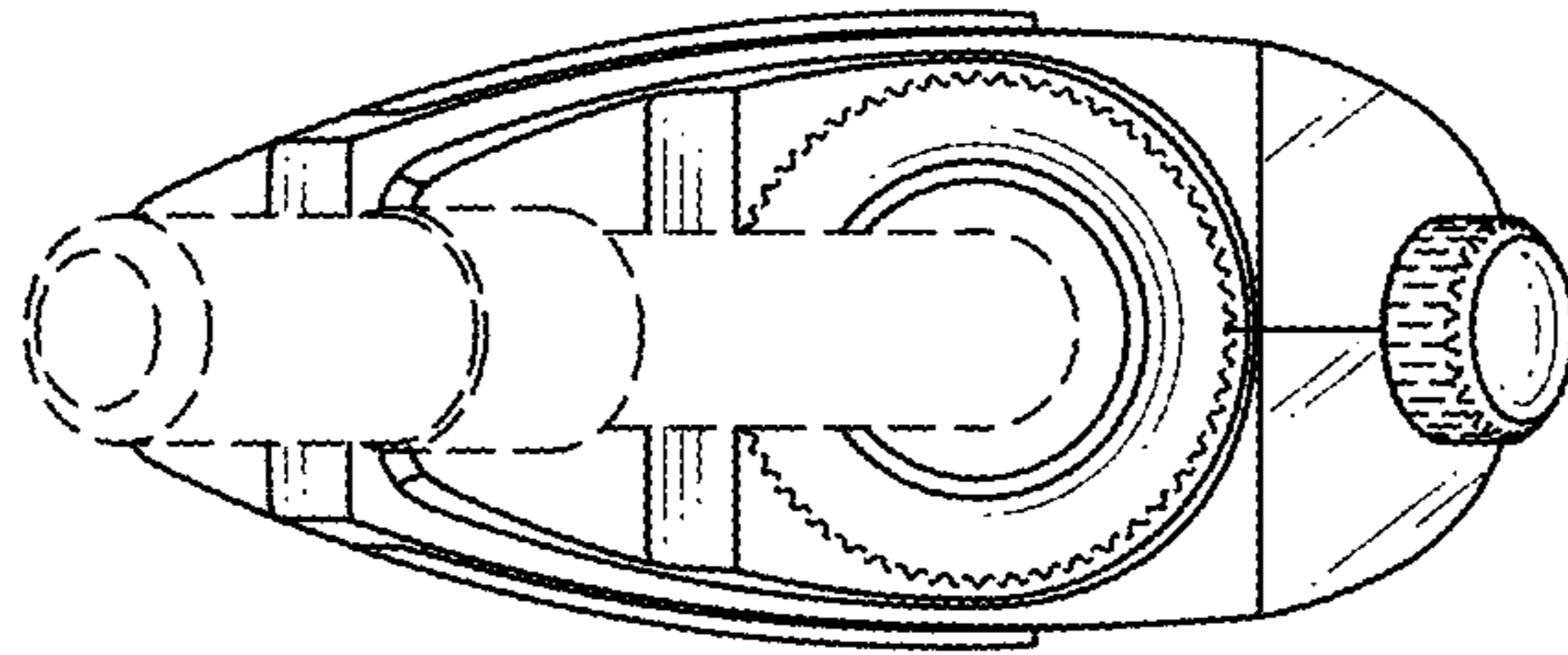


FIG. 6

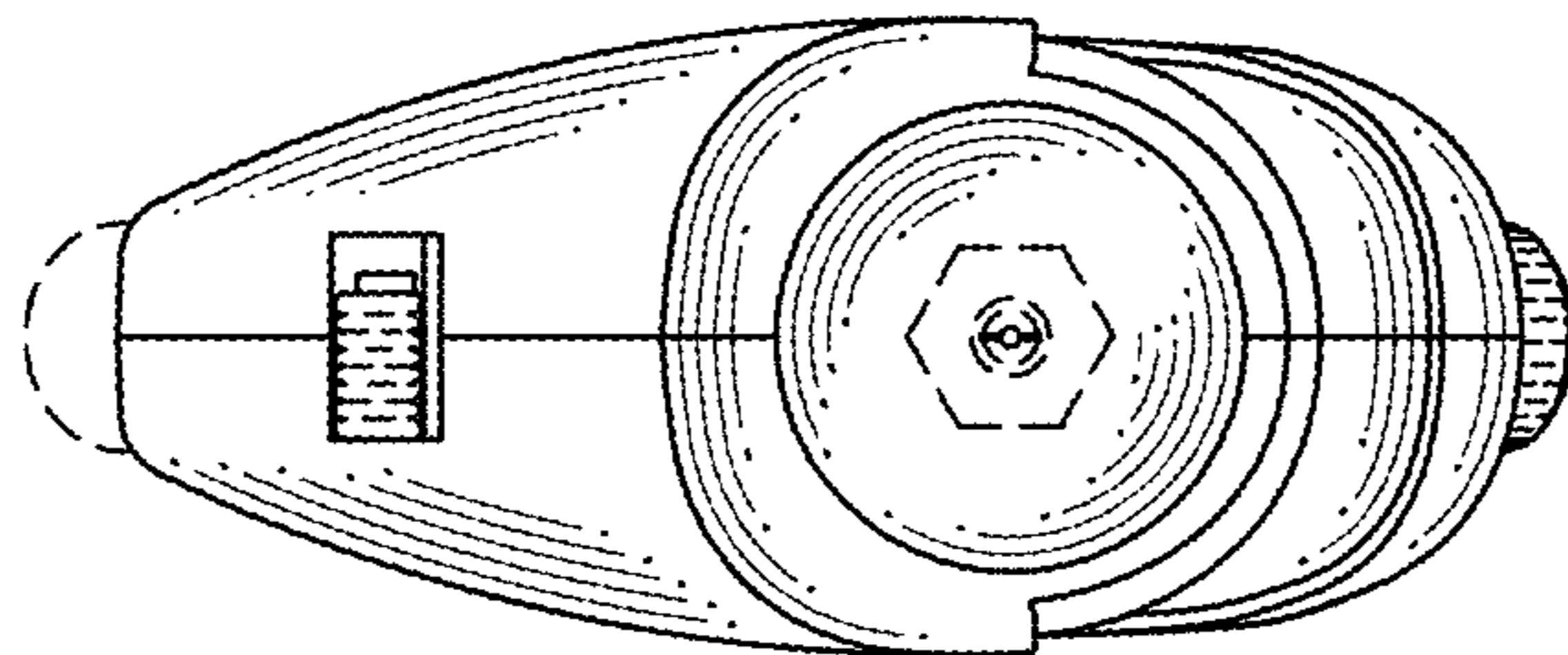


FIG. 7