



US00D813626S

(12) **United States Design Patent** (10) **Patent No.:** **US D813,626 S**  
**Solar** (45) **Date of Patent:** **\*\* Mar. 27, 2018**

(54) **RATCHET WRENCH SELECTOR LEVER**

D677,536 S \* 3/2013 Liu ..... D8/25  
D771,453 S \* 11/2016 Liu ..... D8/25  
D796,924 S \* 9/2017 Albertson ..... D8/25

(71) Applicant: **IDEAL Industries, Inc.**, Sycamore, IL (US)

\* cited by examiner

(72) Inventor: **Brenton Solar**, Genoa, IL (US)

*Primary Examiner* — Randall H Gholson

(73) Assignee: **IDEAL Industries, Inc.**, Sycamore, IL (US)

(74) *Attorney, Agent, or Firm* — Greenberg Traurig, LLP

(\*\*) Term: **15 Years**

(57) **CLAIM**

(21) Appl. No.: **29/591,141**

The ornamental design for a ratchet wrench selector lever, as shown and described.

(22) Filed: **Jan. 17, 2017**

(51) **LOC (11) Cl.** ..... **29-02**

(52) **U.S. Cl.**  
USPC ..... **D8/25**

**DESCRIPTION**

(58) **Field of Classification Search**  
USPC ..... D8/25, 55, 70, 71; D15/138, 139, 140;  
D23/262; 82/158; 279/19.3, 19.5;  
299/10, 104; 407/64, 99, 101, 102, 117;  
408/143, 144, 223, 226, 239, 240;  
81/177.1, 177.2  
CPC ..... B25B 13/48; B25B 13/02; B25B 13/04  
See application file for complete search history.

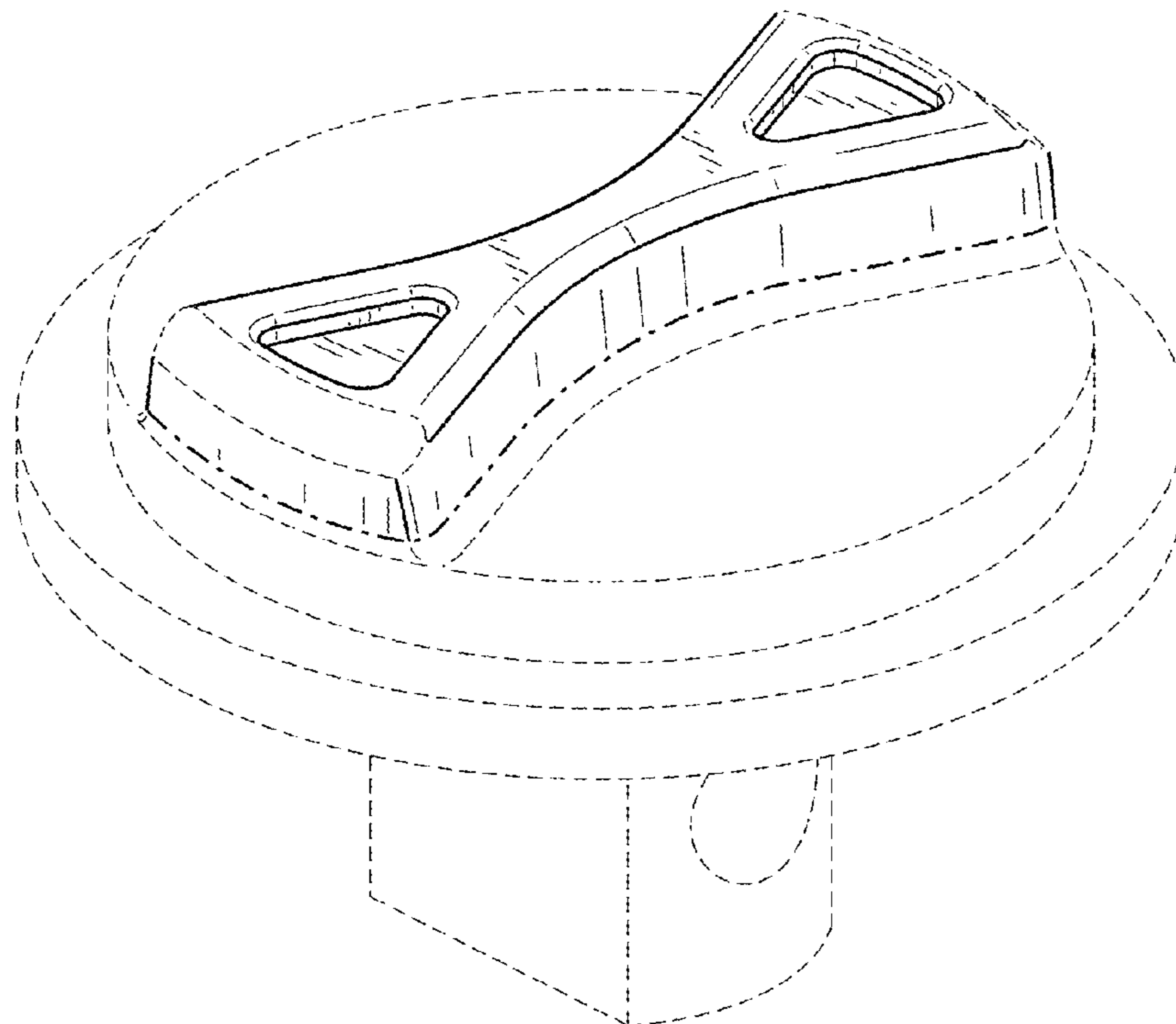
FIG. 1 is a top, front perspective view of a ratchet wrench selector lever showing my new design;  
FIG. 2 is a front side elevational view thereof, the rear side elevational view being a mirror image of FIG. 2;  
FIG. 3 is a left side elevational view thereof, the right side elevational view being a mirror image of FIG. 3;  
FIG. 4 is a top plan view thereof; and,  
FIG. 5 is a bottom plan view thereof.  
The broken lines in the figures show an example environment and form no part of the claimed design. The dot-dash broken lines form the boundary of the claimed design and likewise form no part of the claimed design.

(56) **References Cited**

U.S. PATENT DOCUMENTS

D529,778 S \* 10/2006 Albertson ..... D8/70  
D623,912 S \* 9/2010 Su ..... D8/25

**1 Claim, 3 Drawing Sheets**



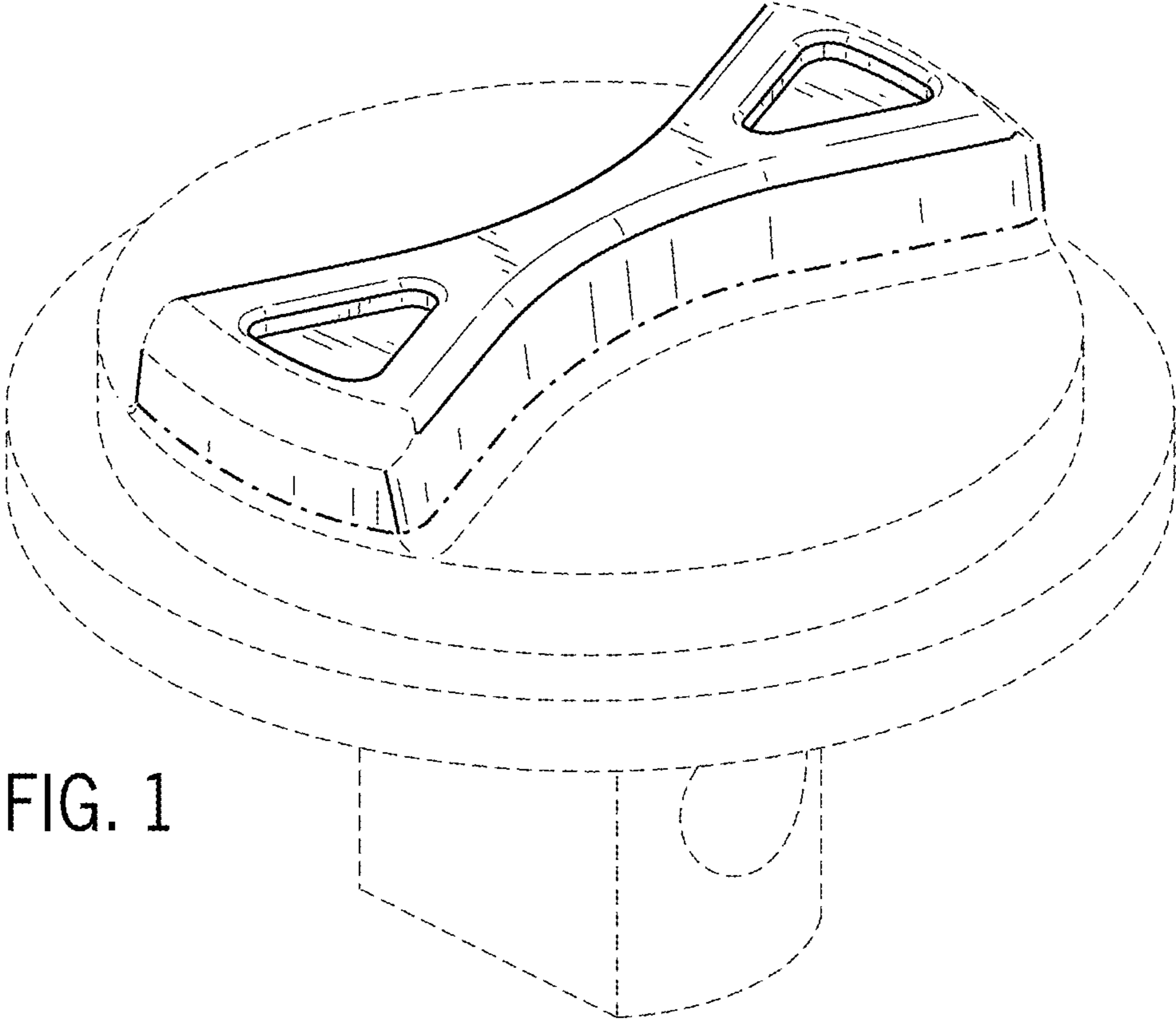


FIG. 1

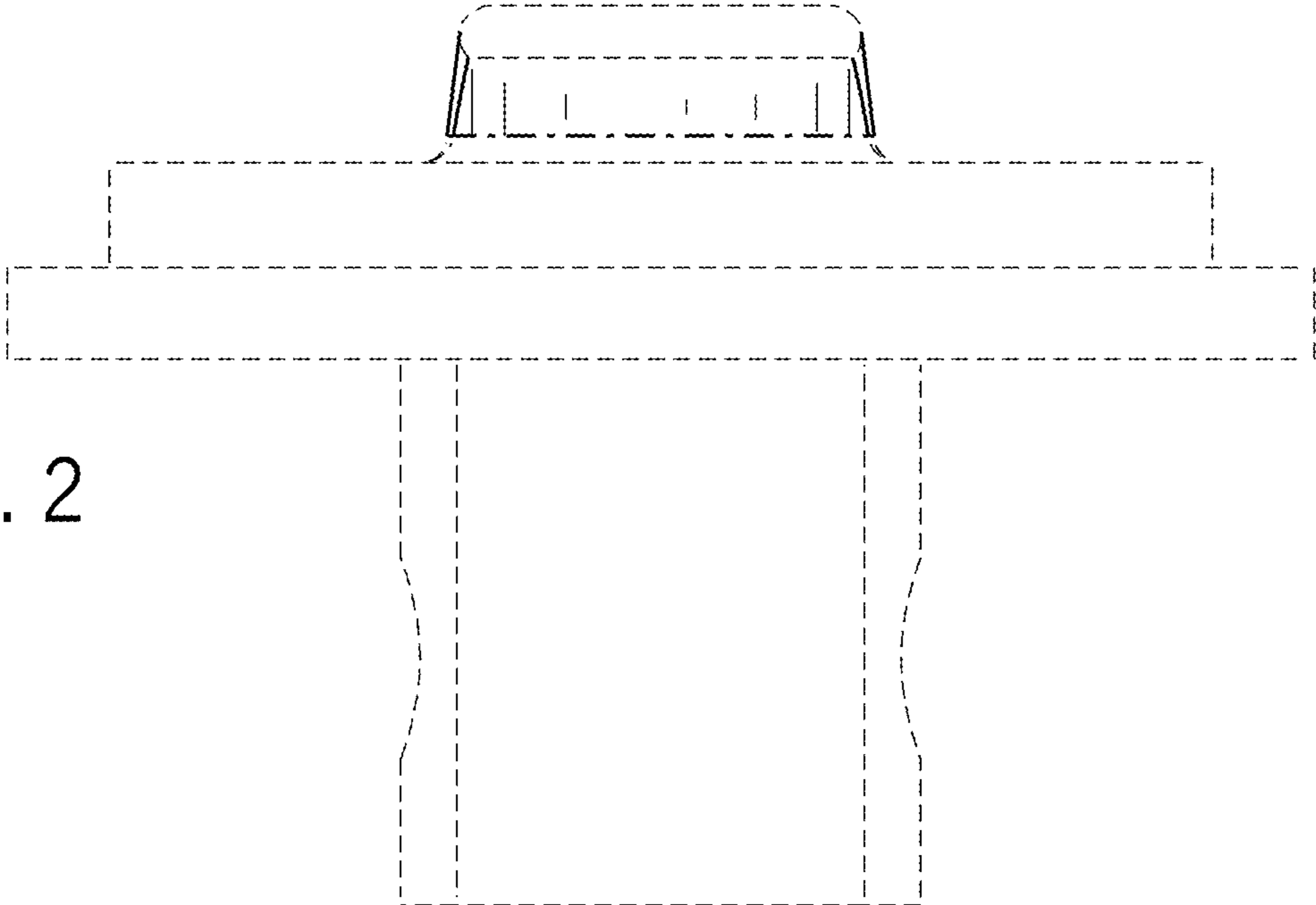


FIG. 2

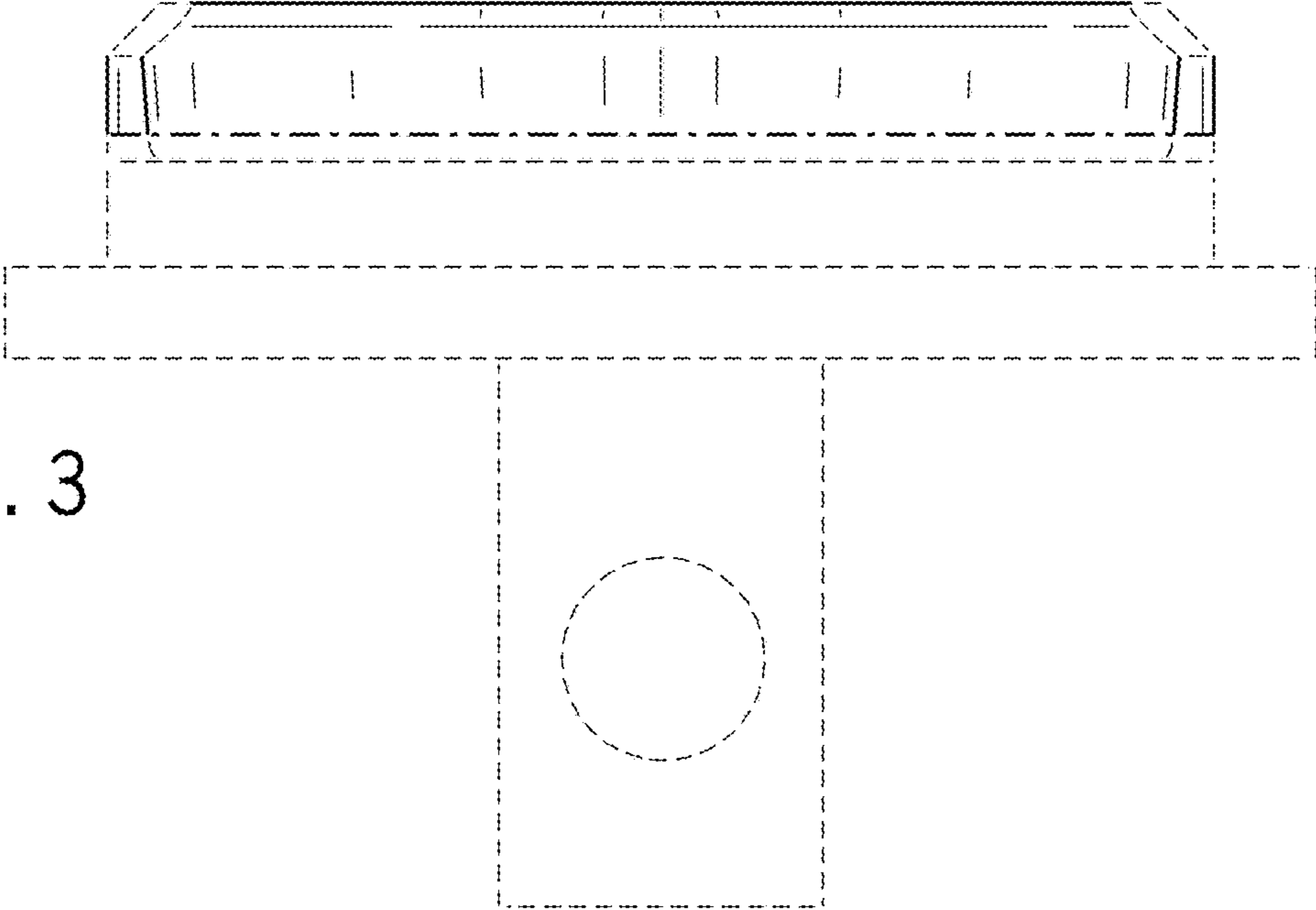
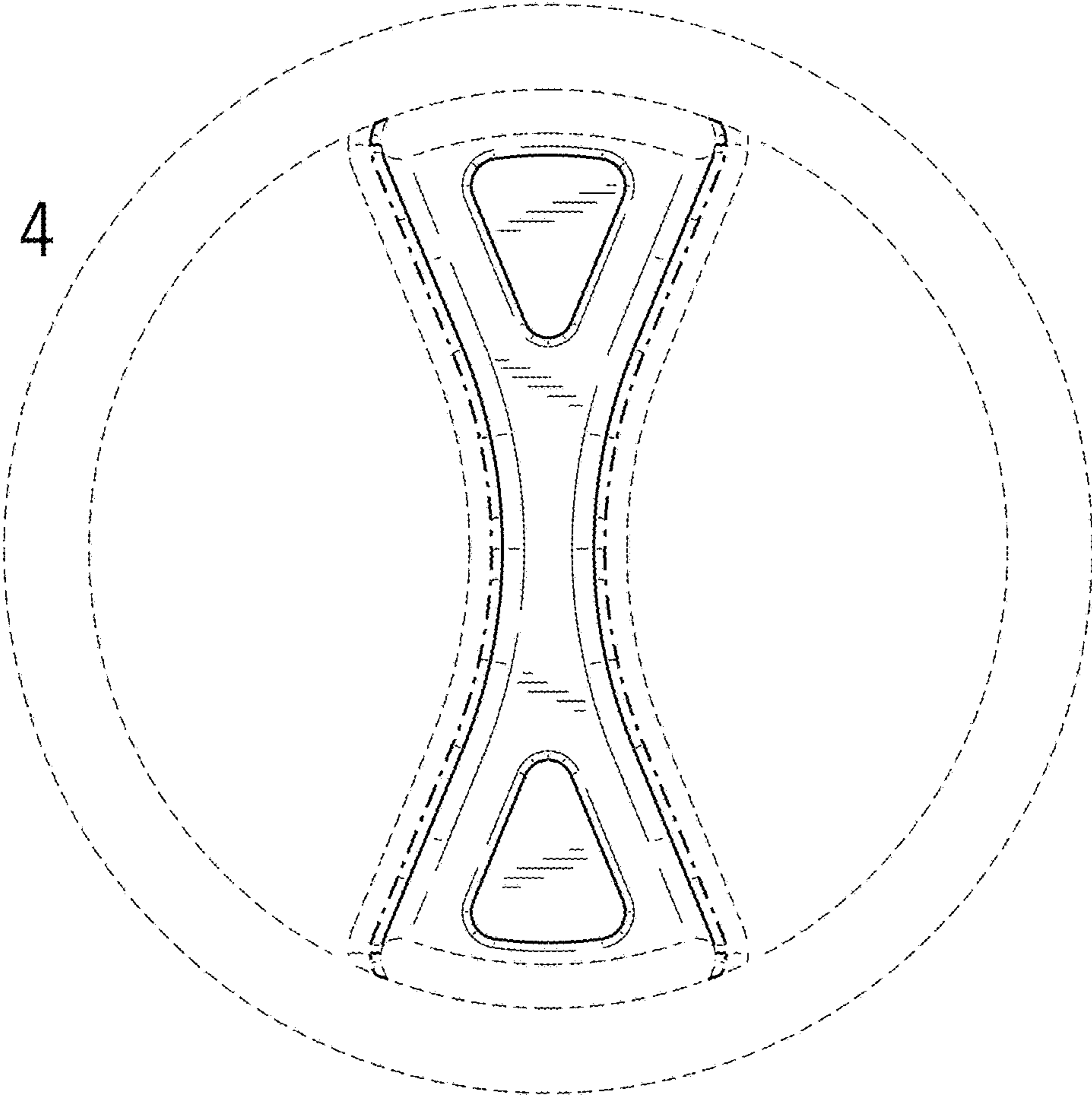


FIG. 4



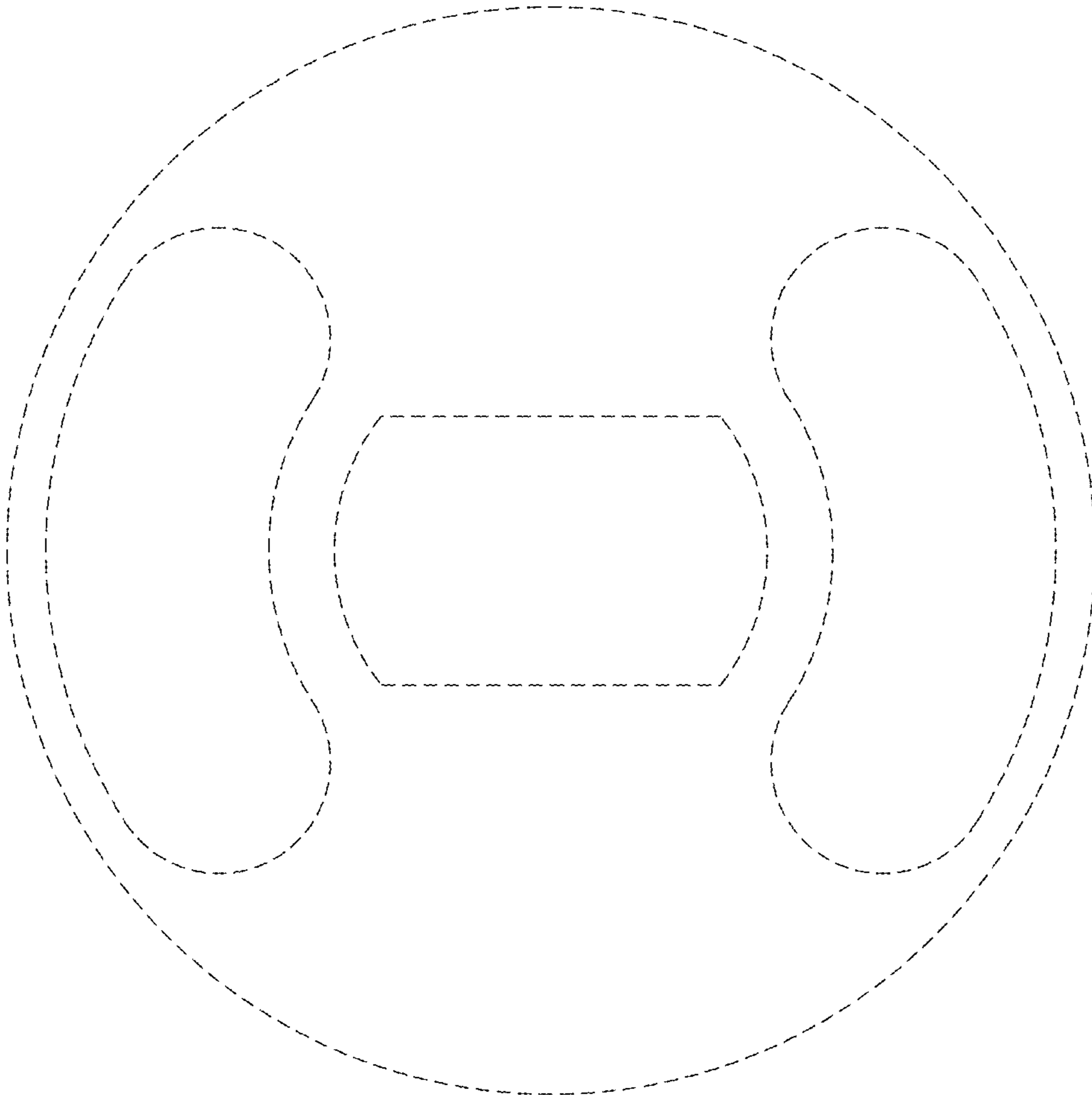


FIG. 5