

US00D813624S

(12) **United States Design Patent** (10) **Patent No.:** **US D813,624 S**  
**Gopi** (45) **Date of Patent:** **\*\* Mar. 27, 2018**

(54) **CUTTING TOOL**

(71) Applicants: **Robert Bosch Tool Corporation**,  
Broadview, IL (US); **Robert Bosch GmbH**, Stuttgart (DE)

(72) Inventor: **Arvind Gopi**, Prospect Heights, IL (US)

(73) Assignees: **Robert Bosch Tool Corporation**,  
Broadview, IL (US); **Robert Bosch GmbH**, Stuttgart (DE)

(\*\*) Term: **15 Years**

(21) Appl. No.: **29/571,653**

(22) Filed: **Jul. 20, 2016**

(51) **LOC (11) Cl.** ..... **08-03**

(52) **U.S. Cl.**  
USPC ..... **D8/20**

(58) **Field of Classification Search**

USPC ..... D8/5, 12, 19, 20, 29, 62, 70, 86, 98;  
D10/64; D15/138, 140; 30/166.3, 169,  
30/272, 277.4, 294, 339, 346, 347, 355,  
30/389, 392; 83/665, 666, 667, 835, 886;  
125/15, 25, 13.01; 403/3, 163, 316,  
403/359.3; 451/8, 28, 57, 163, 294, 342,  
451/344, 41, 349, 453, 356, 357, 359,  
451/360, 490, 494, 508, 509, 510, 511,  
451/548, 559; 407/20, 30; 409/1, 64,  
409/228, 243

CPC ..... B23D 65/00; B23D 63/00; B23D 13/00;  
B23D 45/00; B23D 59/00; B26D 7/00;  
B26D 1/00; B26B 9/00; B26B 9/02;  
B26B 25/00; B23B 3/00; B23B 23/00;  
B25D 2217/00

See application file for complete search history.

(56) **References Cited**

U.S. PATENT DOCUMENTS

6,306,024 B1 \* 10/2001 Kai ..... B24B 23/03  
451/357

D651,062 S \* 12/2011 Wackwitz ..... D8/70

(Continued)

*Primary Examiner* — Wan Laymon

*Assistant Examiner* — Clint A Samuel

(74) *Attorney, Agent, or Firm* — Maginot Moore & Beck  
LLP

(57) **CLAIM**

The ornamental design for a cutting tool, as shown and described.

**DESCRIPTION**

Cross reference is made to copending U.S. design patent application Ser. No. 29/571,645 entitled “Cutting Tool” by Arvind Gopi filed on even date herewith; U.S. design patent application Ser. No. 29/571,646 entitled “Cutting Tool” by Arvind Gopi filed on even date herewith; U.S. design patent application Ser. No. 29/571,647 entitled “Cutting Tool” by Arvind Gopi filed on even date herewith, and U.S. design patent application Ser. No. 29/571,651 entitled “Cutting Tool” by Arvind Gopi filed on even date herewith.

FIG. 1 is a perspective view of a cutting tool showing my new design;

FIG. 2 is a front elevational view showing the design for the cutting tool of FIG. 1;

FIG. 3 is a rear elevational view showing the design for the cutting tool of FIG. 1;

FIG. 4 is a right side elevational view showing the design for the cutting tool of FIG. 1;

FIG. 5 is a left side elevational view showing the design for the cutting tool of FIG. 1;

FIG. 6 is a top plan view showing the design for the cutting tool of FIG. 1; and,

(Continued)

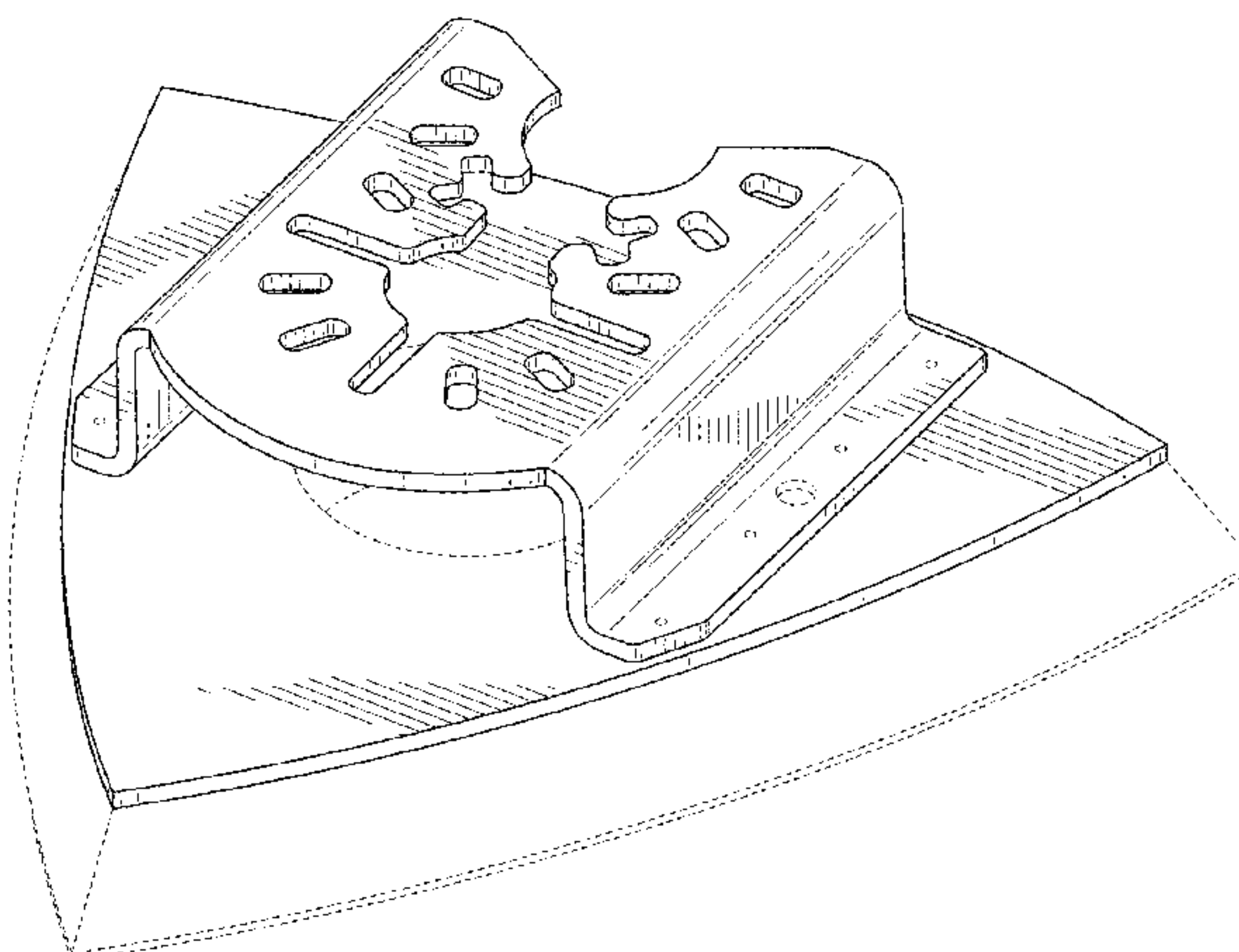


FIG. 7 is a bottom plan view showing the design for the cutting tool of FIG. 1.

The broken lines shown in the figures illustrate portions of the cutting tool that form no part of the claimed design.

**1 Claim, 5 Drawing Sheets**

(56)

**References Cited**

U.S. PATENT DOCUMENTS

D651,874 S *	1/2012	Davidian	.....	D10/64
D651,875 S *	1/2012	Davidian	.....	D10/64
D651,876 S *	1/2012	Davidian	.....	D10/64
D651,877 S *	1/2012	Davidian	.....	D10/64
D651,878 S *	1/2012	Davidian	.....	D10/64
D652,274 S *	1/2012	Davidian	.....	D10/64
D669,754 S *	10/2012	Wackwitz	.....	D8/70
D706,595 S *	6/2014	Kaye, Jr.	.....	D8/20
D741,137 S *	10/2015	Yang	.....	D8/70
D773,912 S *	12/2016	Cringer	.....	D8/45
2008/0057846 A1 *	3/2008	Schumacher	..... B23B 31/4073	451/548
2010/0009613 A1 *	1/2010	Frueh	..... B24B 23/04	451/559
2011/0266758 A1 *	11/2011	Sergyeyenko	..... B24B 23/04	279/106
2012/0211951 A1 *	8/2012	Montplaisir	..... B24B 23/04	279/141

\* cited by examiner

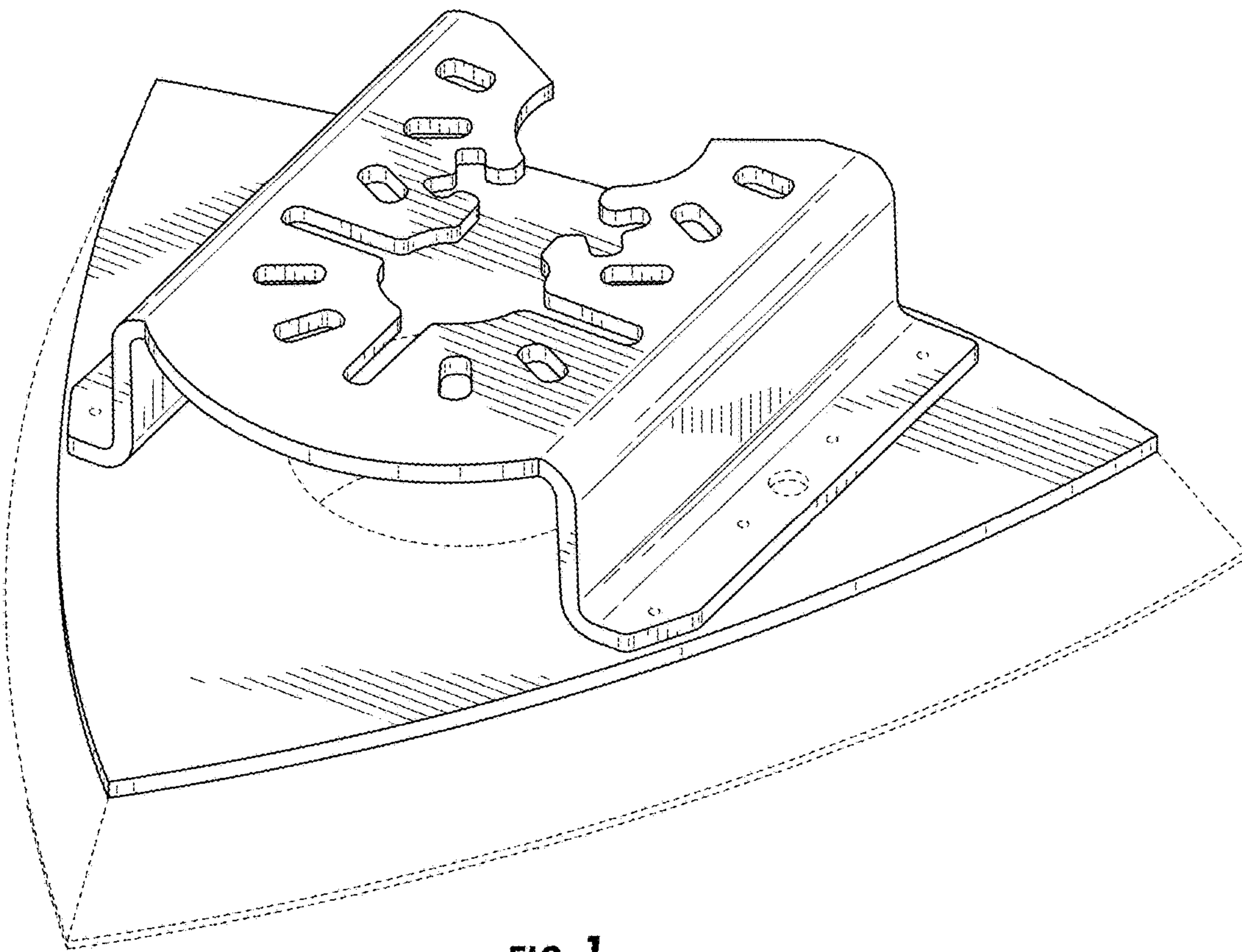


FIG. 1

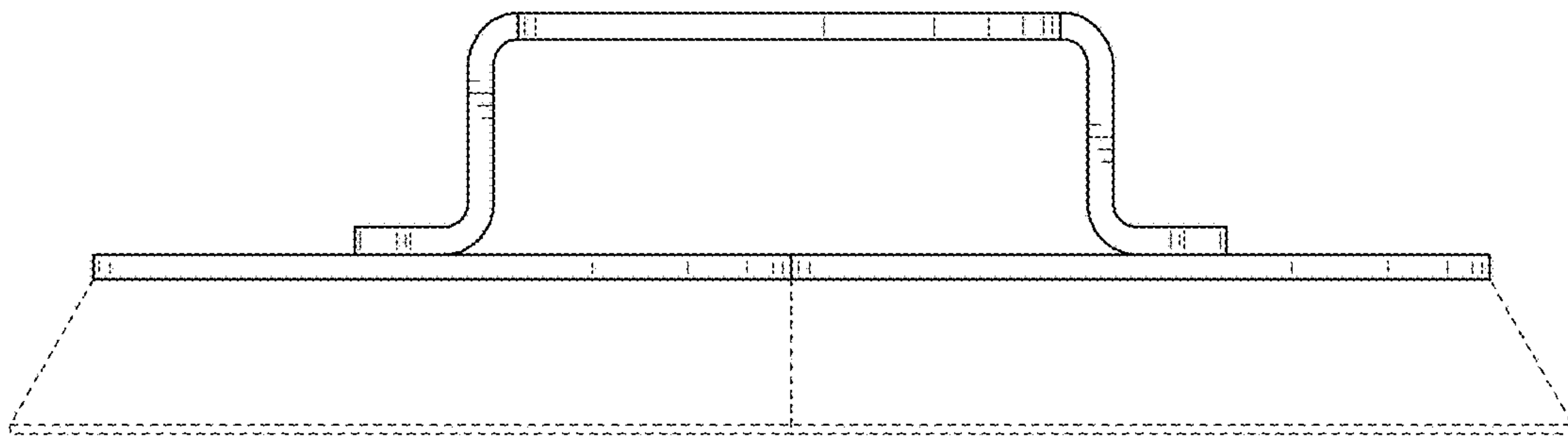


FIG. 2

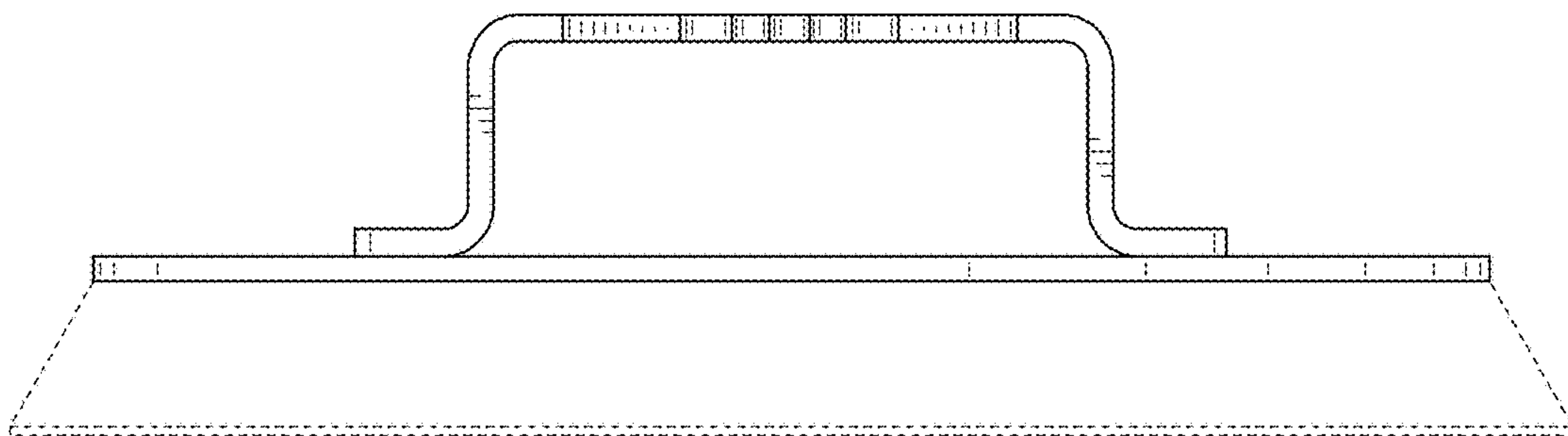


FIG. 3

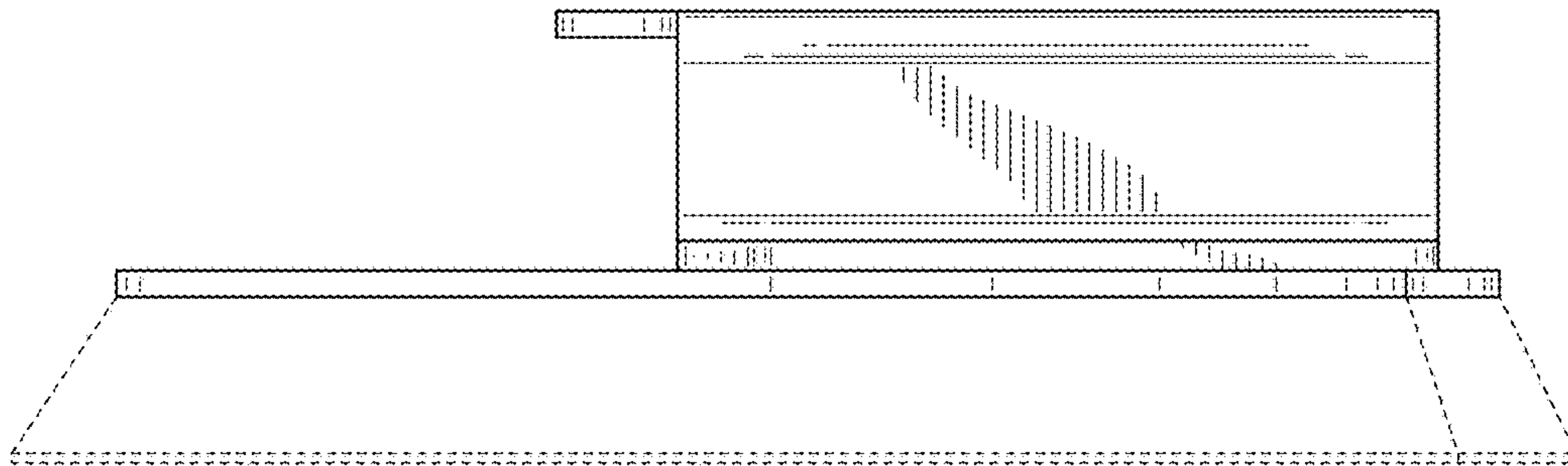


FIG. 4

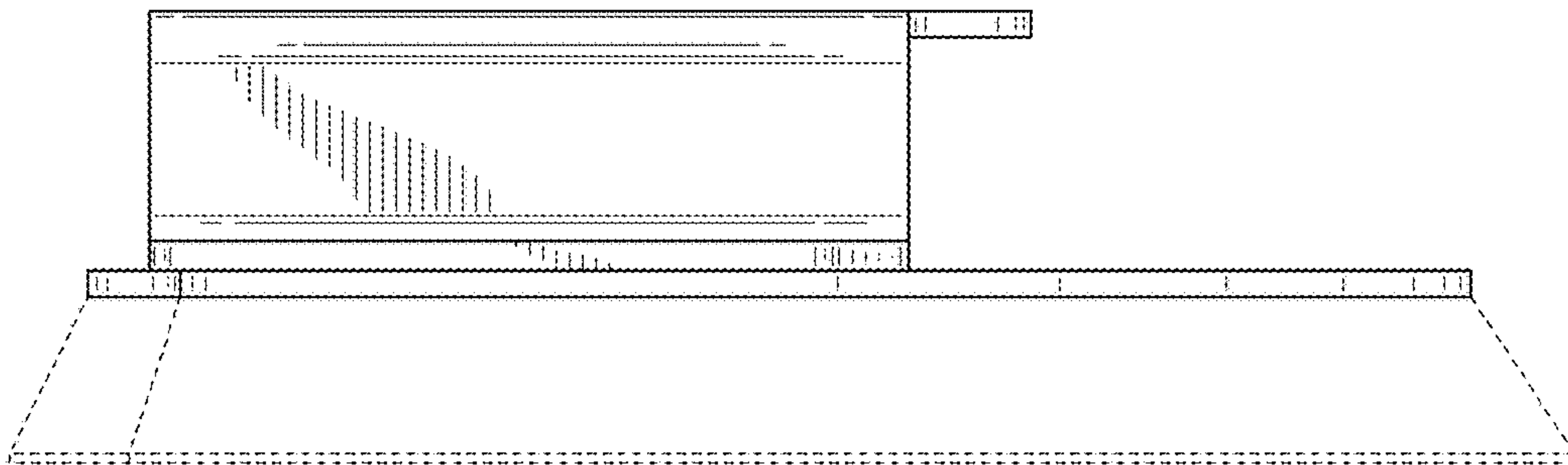


FIG. 5



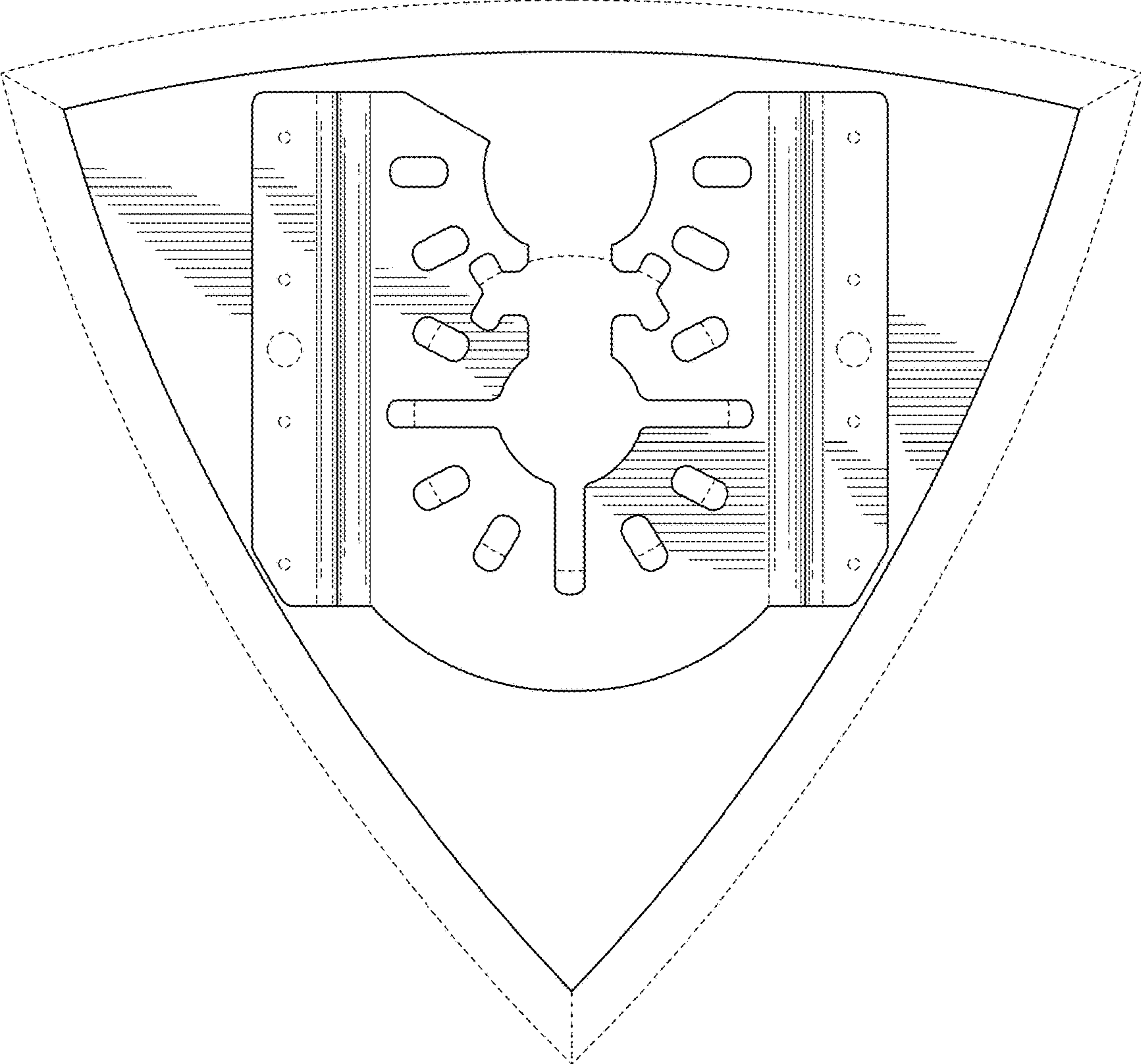
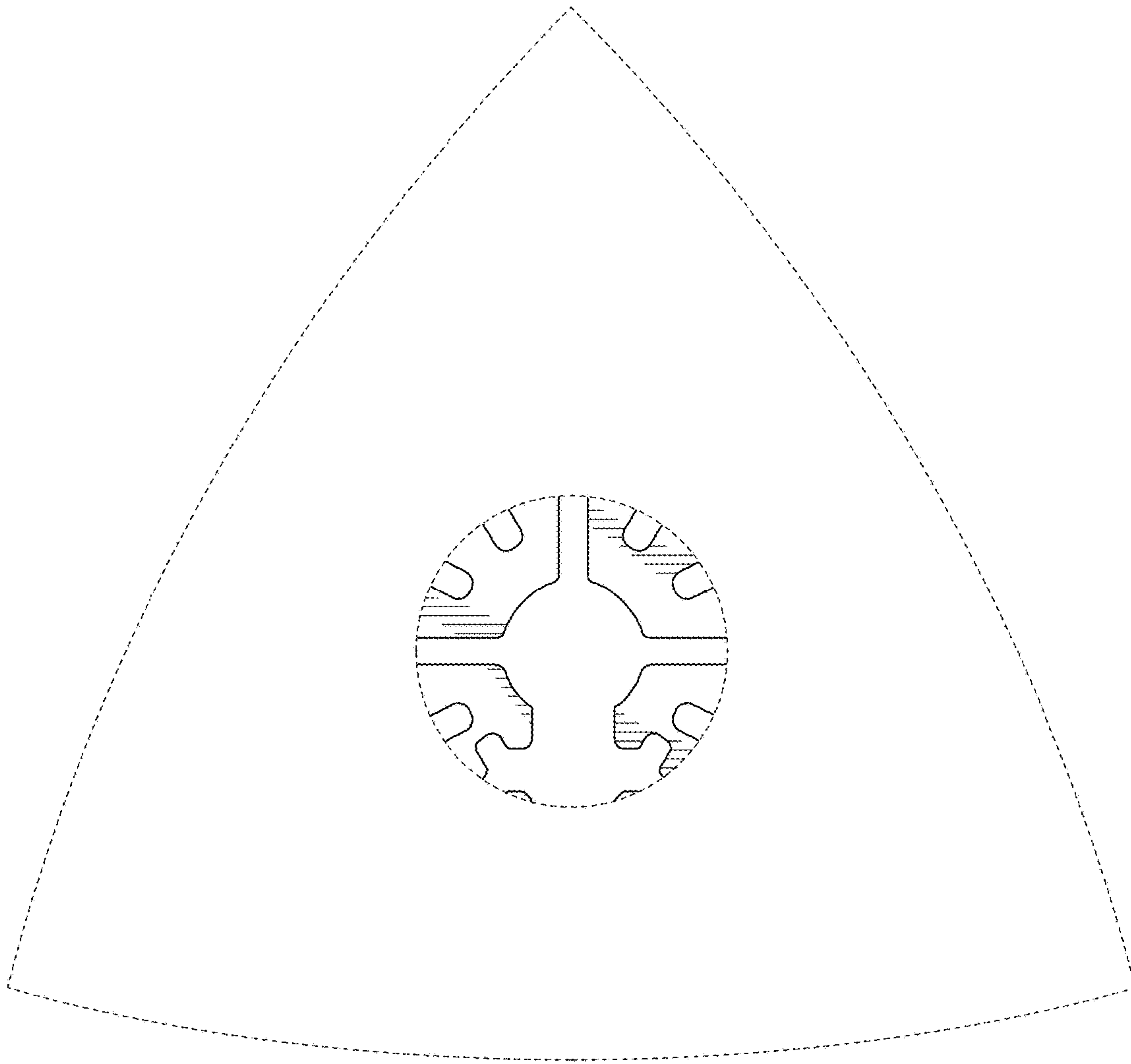


FIG. 6



**FIG. 7**