



US00D813623S

(12) **United States Design Patent**
Marfione et al.

(10) **Patent No.:** **US D813,623 S**
(45) **Date of Patent:** **** Mar. 27, 2018**

- (54) **BLADE**
- (71) Applicant: **Microtech Knives**, Bradford, PA (US)
- (72) Inventors: **Anthony Marfione**, Fletcher, NC (US);
Sean C. Marfione, Hendersonville, NC (US)
- (73) Assignee: **Microtech Knives**, Bradford, PA (US)
- (**) Term: **15 Years**
- (21) Appl. No.: **29/570,451**
- (22) Filed: **Jul. 8, 2016**
- (51) **LOC (11) Cl.** **08-03**
- (52) **U.S. Cl.**
USPC **D8/20**
- (58) **Field of Classification Search**
USPC D8/5, 12, 20, 92, 98, 99; D7/401.2, 649,
D7/650; 30/32, 128, 159, 165, 346, 355;
117/63
CPC B26B 1/00; B26B 3/00; B26B 5/00; B26B
21/00; B26B 11/00; B26B 9/00
See application file for complete search history.

- D454,768 S * 3/2002 Onion D8/20
- 8,893,389 B2 * 11/2014 Freeman B26B 1/046
30/155
- 2013/0188337 A1 * 7/2013 Staines B26B 11/008
362/120

* cited by examiner

Primary Examiner — Wan Laymon
Assistant Examiner — Clint A Samuel
(74) *Attorney, Agent, or Firm* — Steve LeBlanc LLC

(57) **CLAIM**

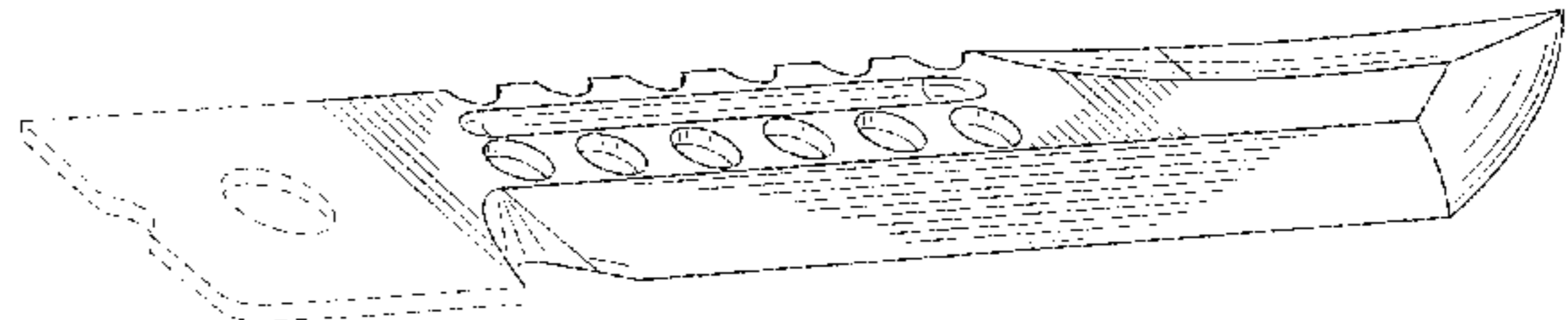
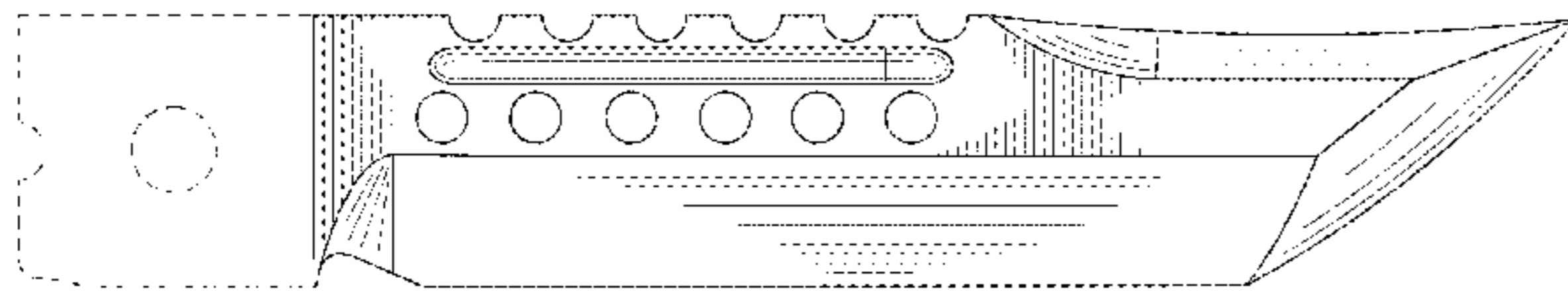
The ornamental design for a blade, as shown and described.

DESCRIPTION

FIG. 1 is a front view of the blade;
FIG. 2 is a perspective front view of the blade;
FIG. 3 is a rear view of the blade;
FIG. 4 is a perspective rear view of the blade;
FIG. 5 is a left side view of the blade;
FIG. 6 is a right side view of the blade;
FIG. 7 is a top view of the blade; and,
FIG. 8 is a bottom view of the blade.
The dotted lines shown in FIGS 1-6 are environmental only and form no part of the claimed design.

1 Claim, 4 Drawing Sheets

- (56) **References Cited**
U.S. PATENT DOCUMENTS
D426,132 S * 6/2000 Pardue D8/20
D438,442 S * 3/2001 Osborne D8/20



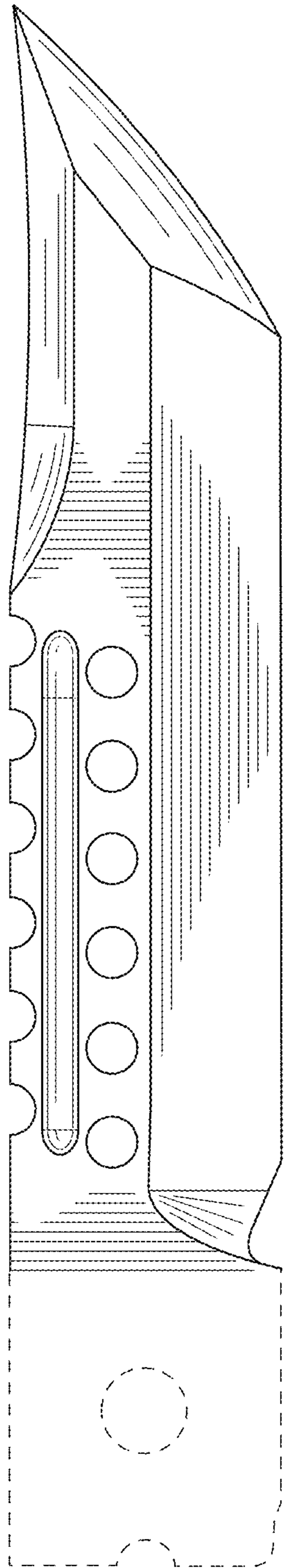


FIG. 1

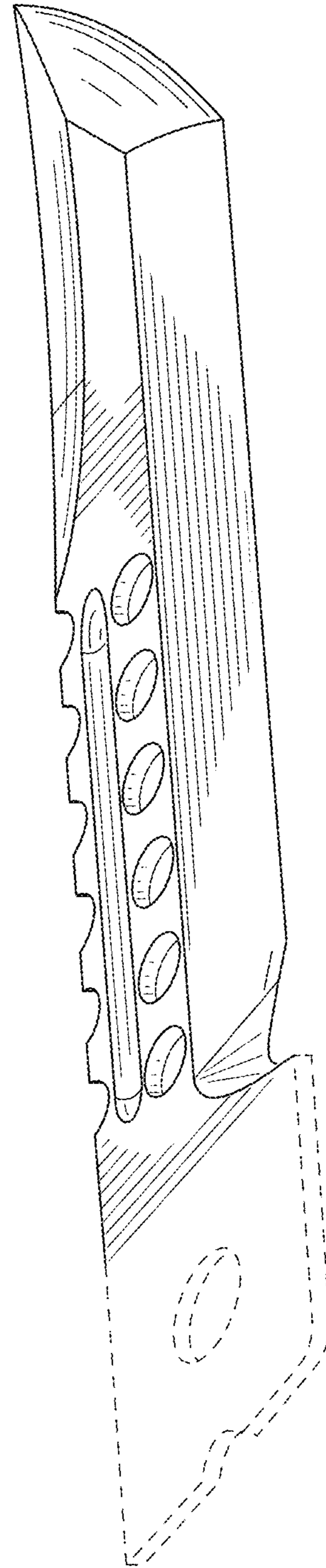


FIG. 2

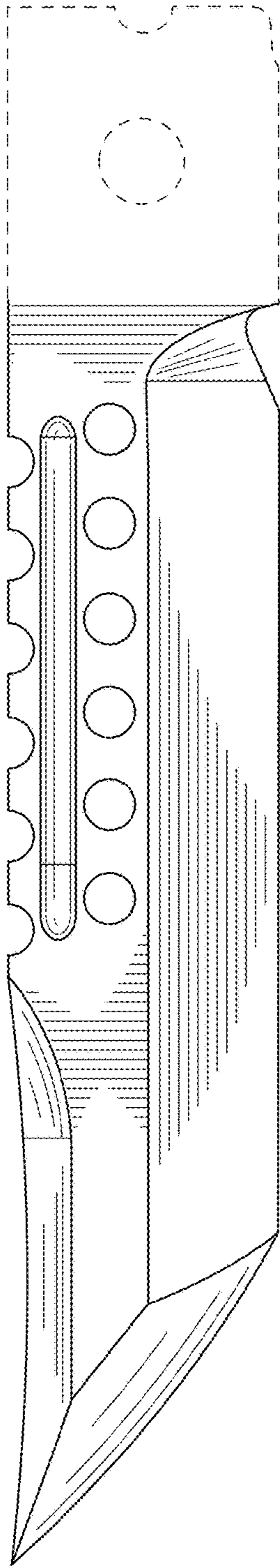


FIG. 3

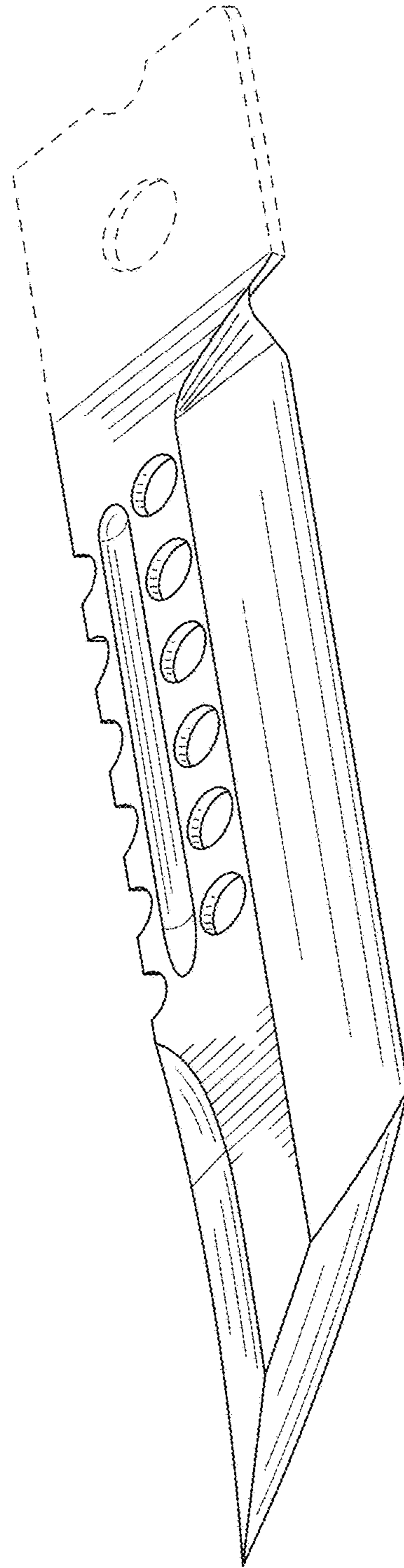


FIG. 4



FIG. 5

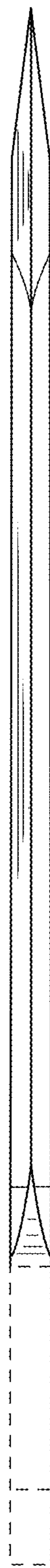


FIG. 6



FIG. 7



FIG. 8