



US00D813622S

(12) **United States Design Patent** (10) **Patent No.:** **US D813,622 S**
Baker (45) **Date of Patent:** **** Mar. 27, 2018**

(54) **SCOOP HEAD**

(71) Applicant: **Radius Garden, LLC**, Ann Arbor, MI (US)

(72) Inventor: **Bruce Baker**, Ann Arbor, MI (US)

(73) Assignee: **Radius Garden, L.L.C.**, Ann Arbor, MI (US)

(**) Term: **15 Years**

(21) Appl. No.: **29/574,813**

(22) Filed: **Aug. 18, 2016**

(51) **LOC (11) Cl.** **08-01**

(52) **U.S. Cl.**
USPC **D8/10; D21/532**

(58) **Field of Classification Search**
USPC D8/1, 7, 9, 10; D21/532, 398
CPC A01B 1/00; A01B 1/16; A01B 1/02; A01B 1/022; A01B 1/026
See application file for complete search history.

(56) **References Cited**

U.S. PATENT DOCUMENTS

D342,426 S *	12/1993	Concari	D8/10
D360,343 S *	7/1995	Concari	D8/10
D375,881 S *	11/1996	Spear	D8/10
D384,251 S *	9/1997	Yeh	D8/10
5,975,601 A *	11/1999	Spear	A01B 1/00 16/DIG. 19
D600,984 S *	9/2009	Wong	D8/10
D675,075 S *	1/2013	Paloheimo	D8/10
D676,725 S *	2/2013	Meiller	D8/10
D684,441 S *	6/2013	Baker	D8/10

OTHER PUBLICATIONS

Amazon.com : Radius Garden 15601 DIG Scooper, Blue : Patio, Lawn & Garden, Image post date unknown, site visited on Oct. 23, 2017 [online], <https://www.amazon.com/Radius%C2%ADGarden%C2%AD15601%C2%ADScooper%C2%ADBlue/dp/B01N4GVDWC/ref=sr_1_1?s=lawn%C2%ADgarden&ie=UTF8&gid=1508784279&sr=1%C2%AD1&keywords%E2%80%>>.*
DIG Scooper—Radius Garden, Image post date unknown, site visited on Oct. 23, 2017 [online], <<https://radiusgarden.com/collections/digging-tools/products/dig-scooper>>.*

* cited by examiner

Primary Examiner — Sandra S Snapp
Assistant Examiner — Ieisha N Price
(74) *Attorney, Agent, or Firm* — Honigman Miller Schwartz and Cohn LLP

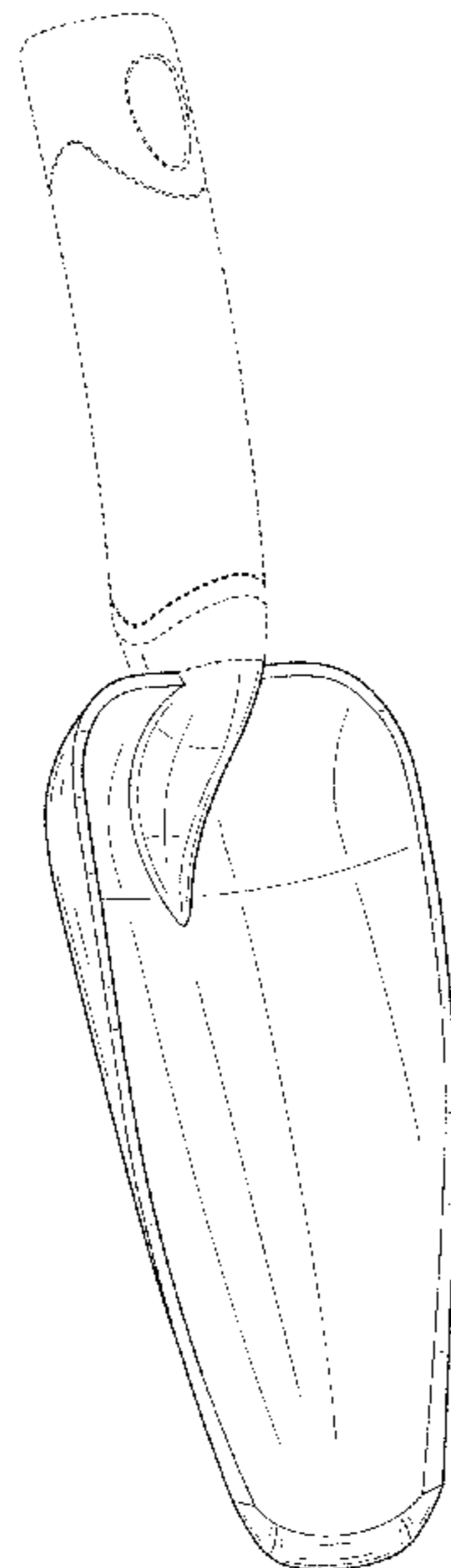
(57) **CLAIM**

The ornamental design for a scoop head, as shown and described.

DESCRIPTION

FIG. 1 is an isometric view of the scoop head of the present invention;
FIG. 2 is a front elevational view of the scoop head of FIG. 1;
FIG. 3 is a rear elevational view of the scoop head of FIG. 1;
FIG. 4 is a left side elevational view of the scoop head of FIG. 1;
FIG. 5 is a right side elevational view of the scoop head of FIG. 1;
FIG. 6 is a top view of the scoop head of FIG. 1; and,
FIG. 7 is a bottom view of the scoop head of FIG. 1.
The broken lines showing the handle illustrates the environment of the claimed design and forms no part thereof.

1 Claim, 4 Drawing Sheets



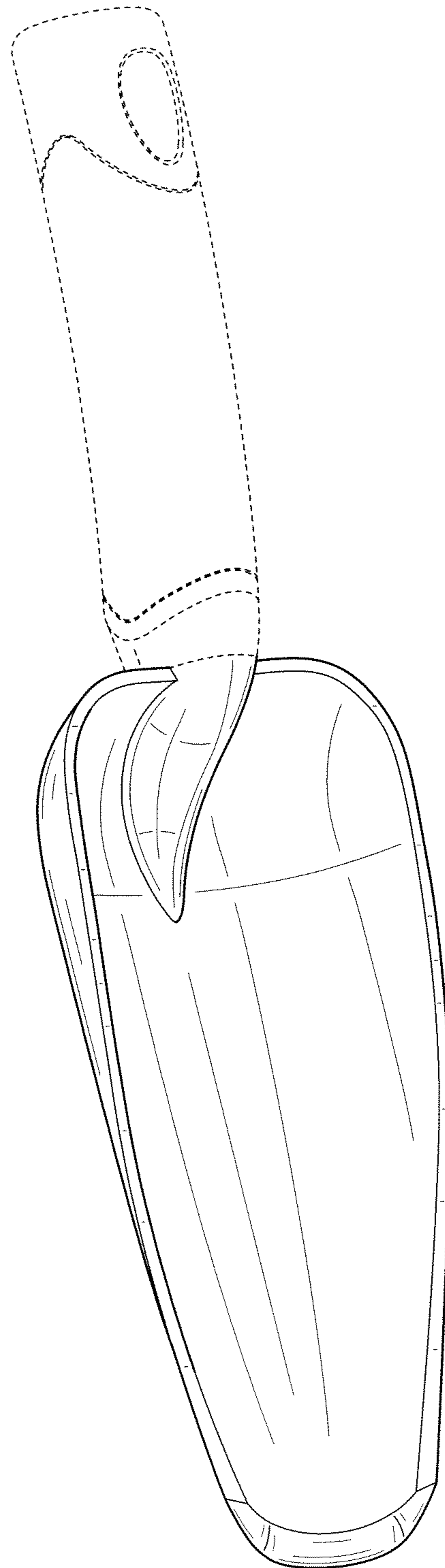


FIG. 1

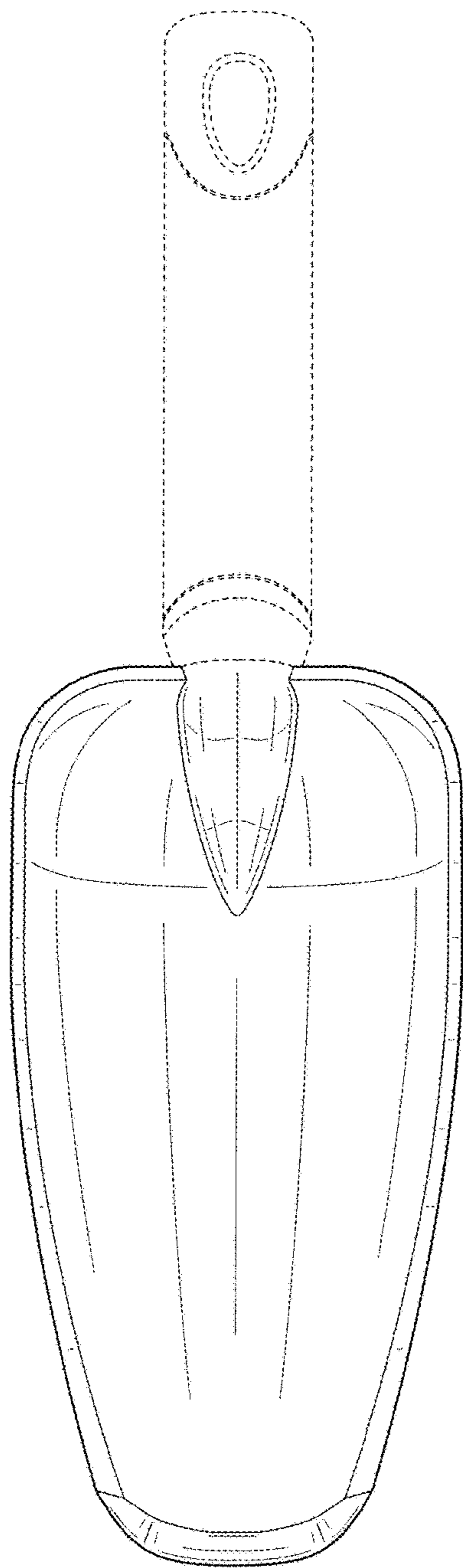


FIG. 2

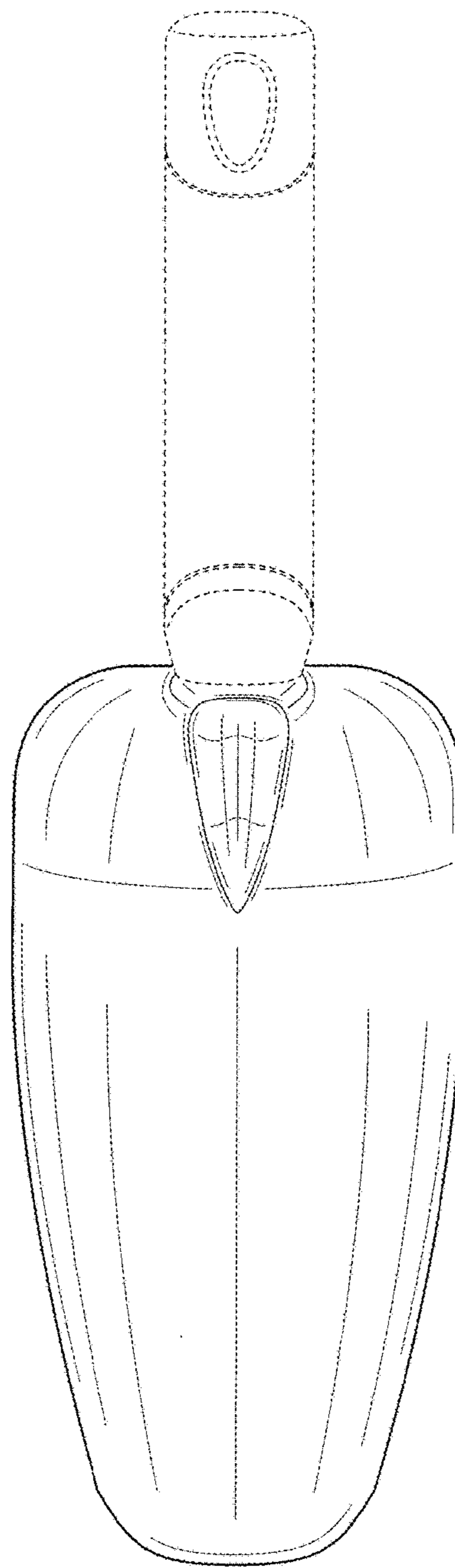


FIG. 3

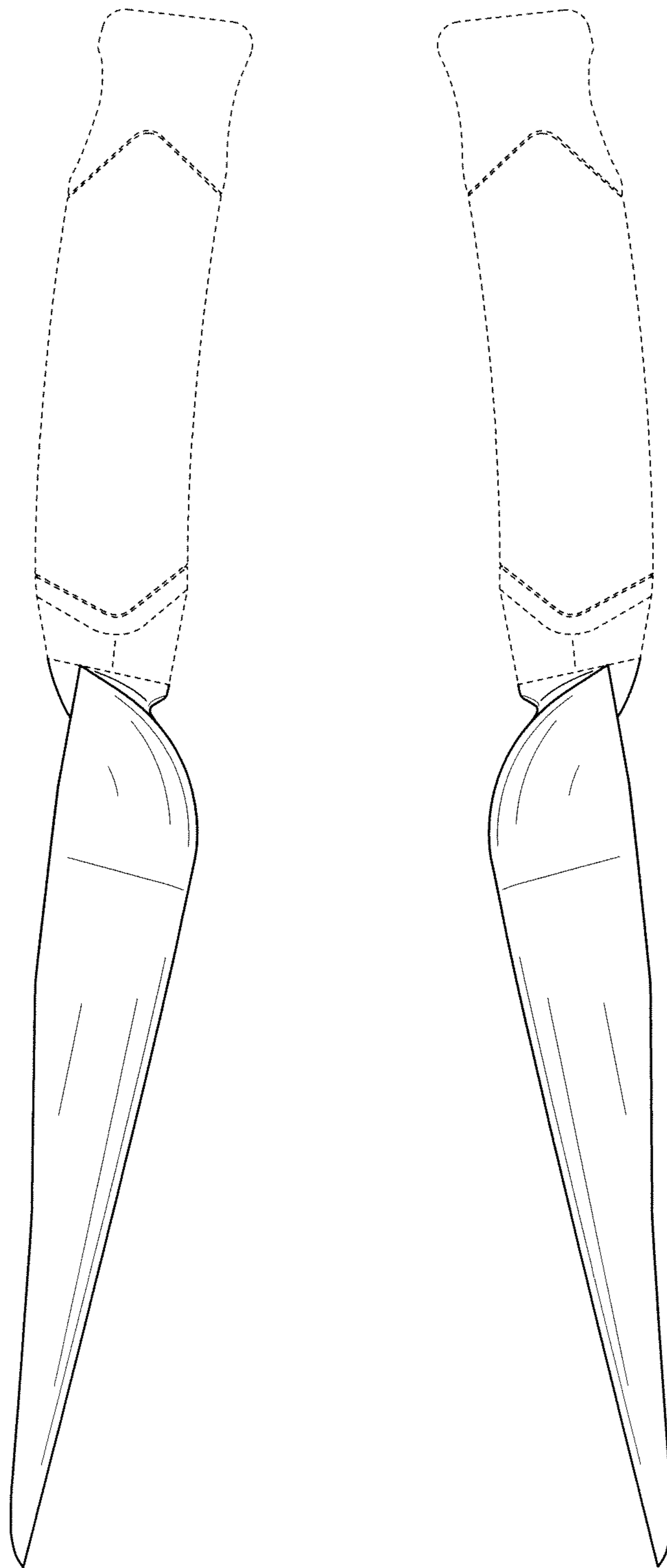


FIG. 4

FIG. 5

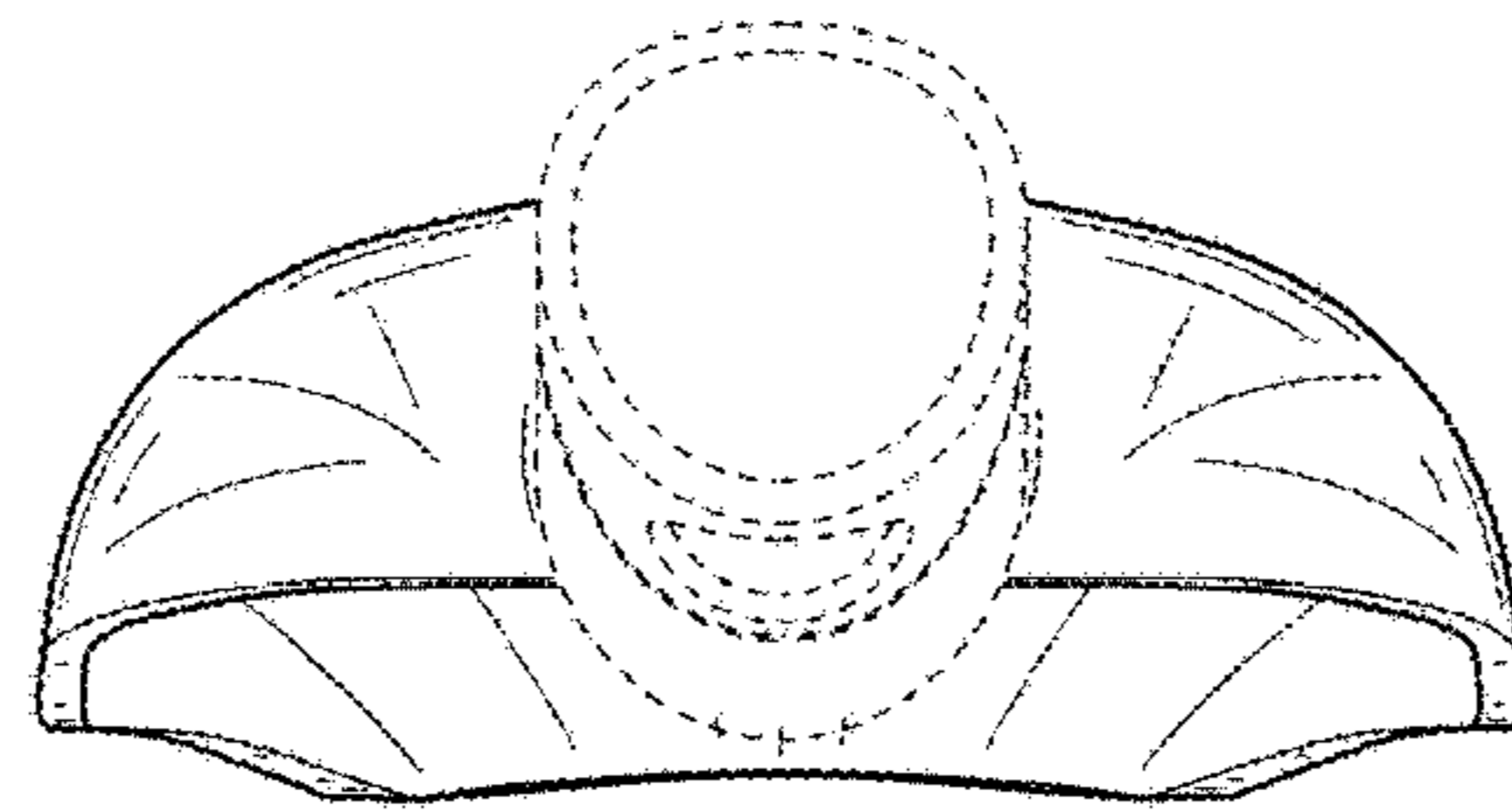


FIG. 6

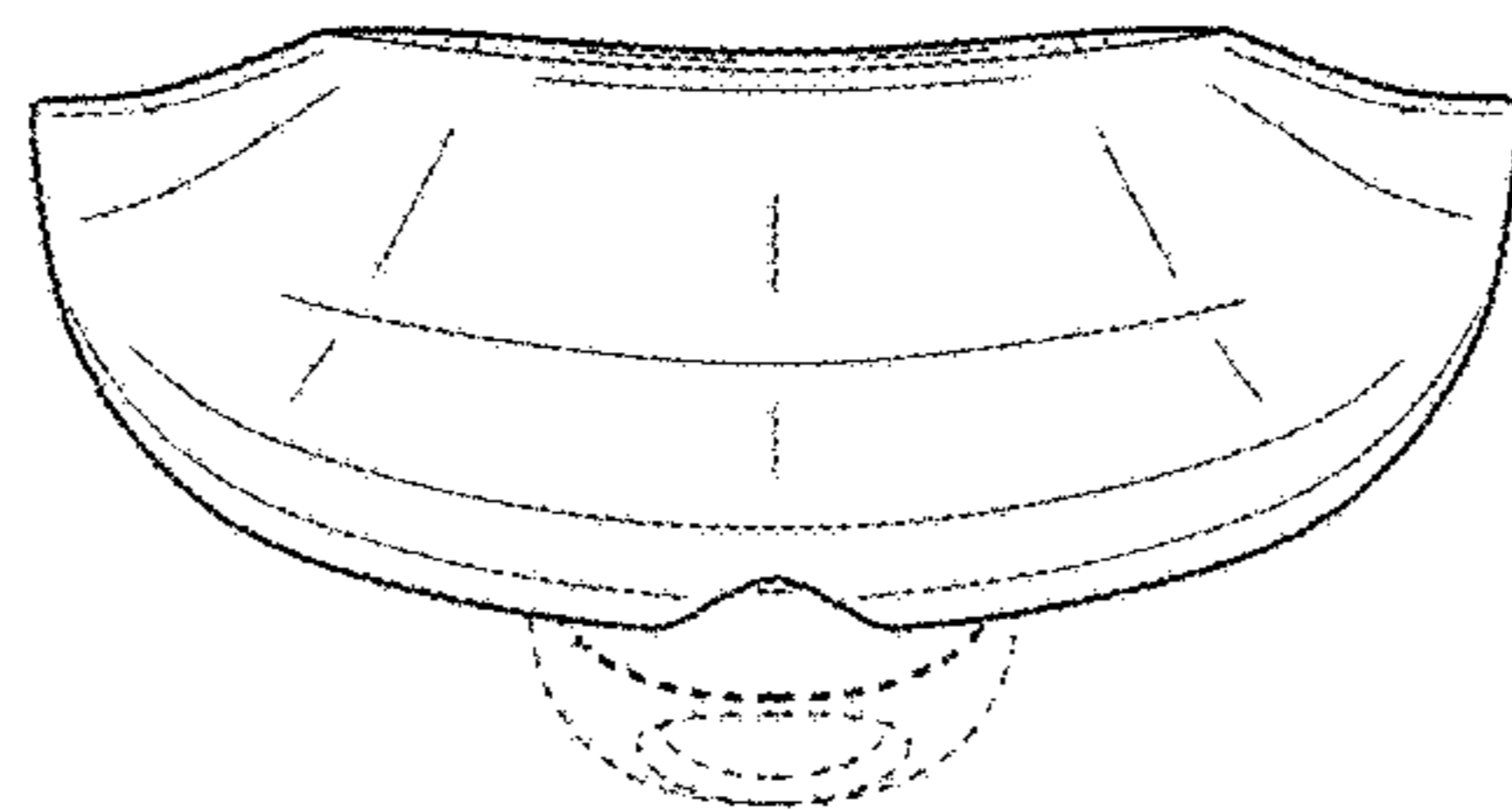


FIG. 7