



US00D813621S

(12) **United States Design Patent**
Timson

(10) **Patent No.:** **US D813,621 S**

(45) **Date of Patent:** **** Mar. 27, 2018**

(54) **STRING TRIMMER**

(71) Applicant: **BLACK & DECKER INC.**, New Britain, CT (US)

(72) Inventor: **Trevor Timson**, Baltimore, MD (US)

(73) Assignee: **BLACK & DECKER INC.**, New Britain, CT (US)

(**) Term: **15 Years**

(21) Appl. No.: **29/568,651**

(22) Filed: **Jun. 20, 2016**

(51) **LOC (11) Cl.** **08-01**

(52) **U.S. Cl.**
USPC **D8/8**

(58) **Field of Classification Search**
USPC D8/1, 7, 8, 9, 499; D15/1, 17
CPC A01D 34/412; A01D 34/416; A01D 34/01;
A01D 34/015; A01D 34/4161; A01D
34/4165; A01D 34/4166; A01D 34/4167;
A01D 34/84; A01G 3/00; A01G 3/053;
B25F 5/02; Y10T 83/9324
See application file for complete search history.

(56) **References Cited**

U.S. PATENT DOCUMENTS

D668,515 S * 10/2012 Landberg D8/8
D668,516 S * 10/2012 Landberg D8/8

D668,517 S * 10/2012 Landberg D8/8
D776,995 S * 1/2017 Schoch D8/8
2016/0330903 A1 * 11/2016 Miller A01D 34/90
2016/0336557 A1 * 11/2016 Miller A01D 34/416
2016/0345492 A1 * 12/2016 Miller A01D 34/416

* cited by examiner

Primary Examiner — Sandra S Snapp

Assistant Examiner — Ieisha N Price

(74) *Attorney, Agent, or Firm* — John Yun

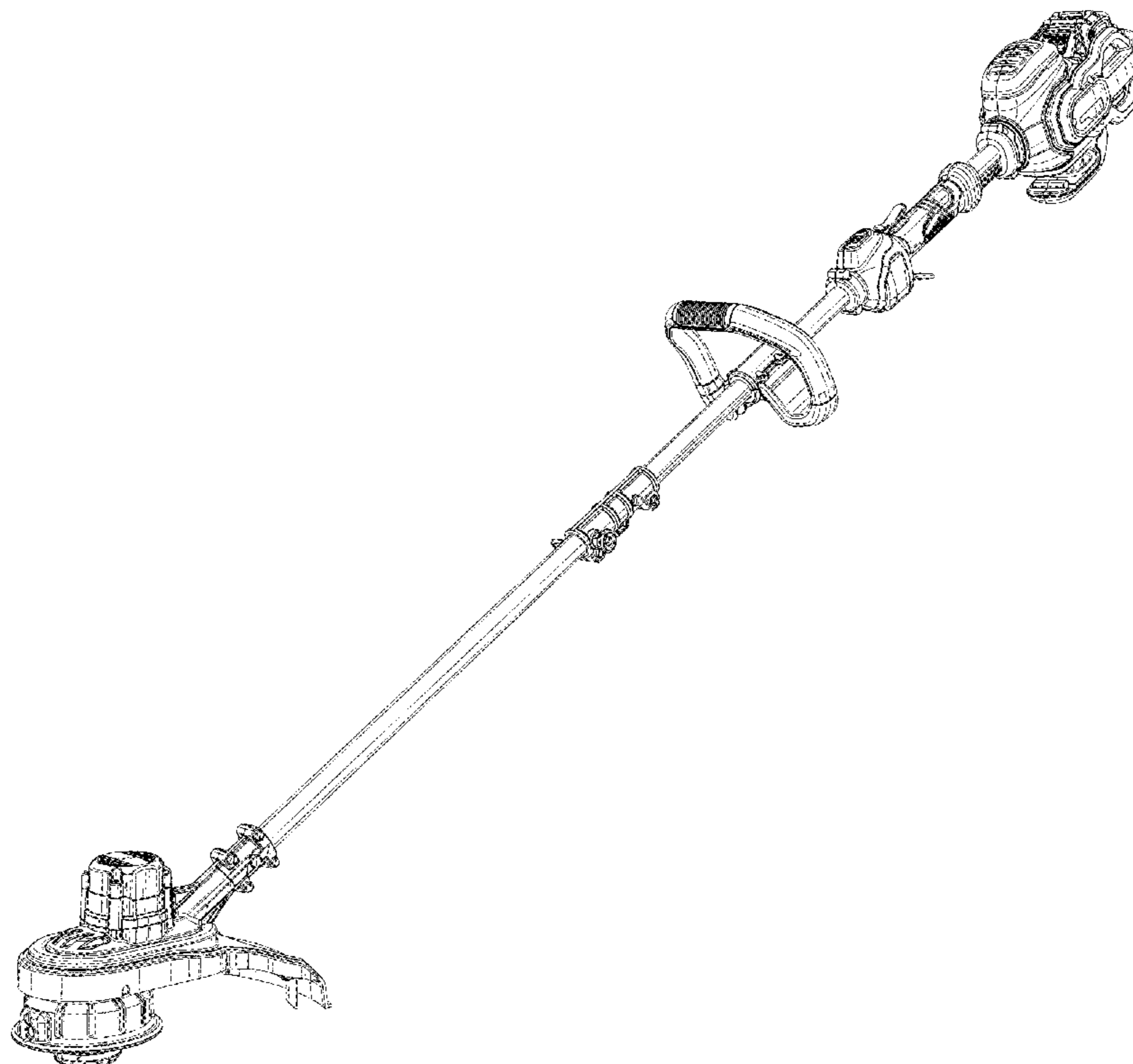
(57) **CLAIM**

The ornamental design for a string trimmer, as shown and described.

DESCRIPTION

FIG. 1 is a perspective view of a string trimmer showing my new design;
FIG. 2 is a front view thereof
FIG. 3 is a rear view thereof;
FIG. 4 is a left side view thereof;
FIG. 5 is a right side view thereof;
FIG. 6 is a top plan view thereof; and,
FIG. 7 is a bottom plan view thereof.

1 Claim, 7 Drawing Sheets



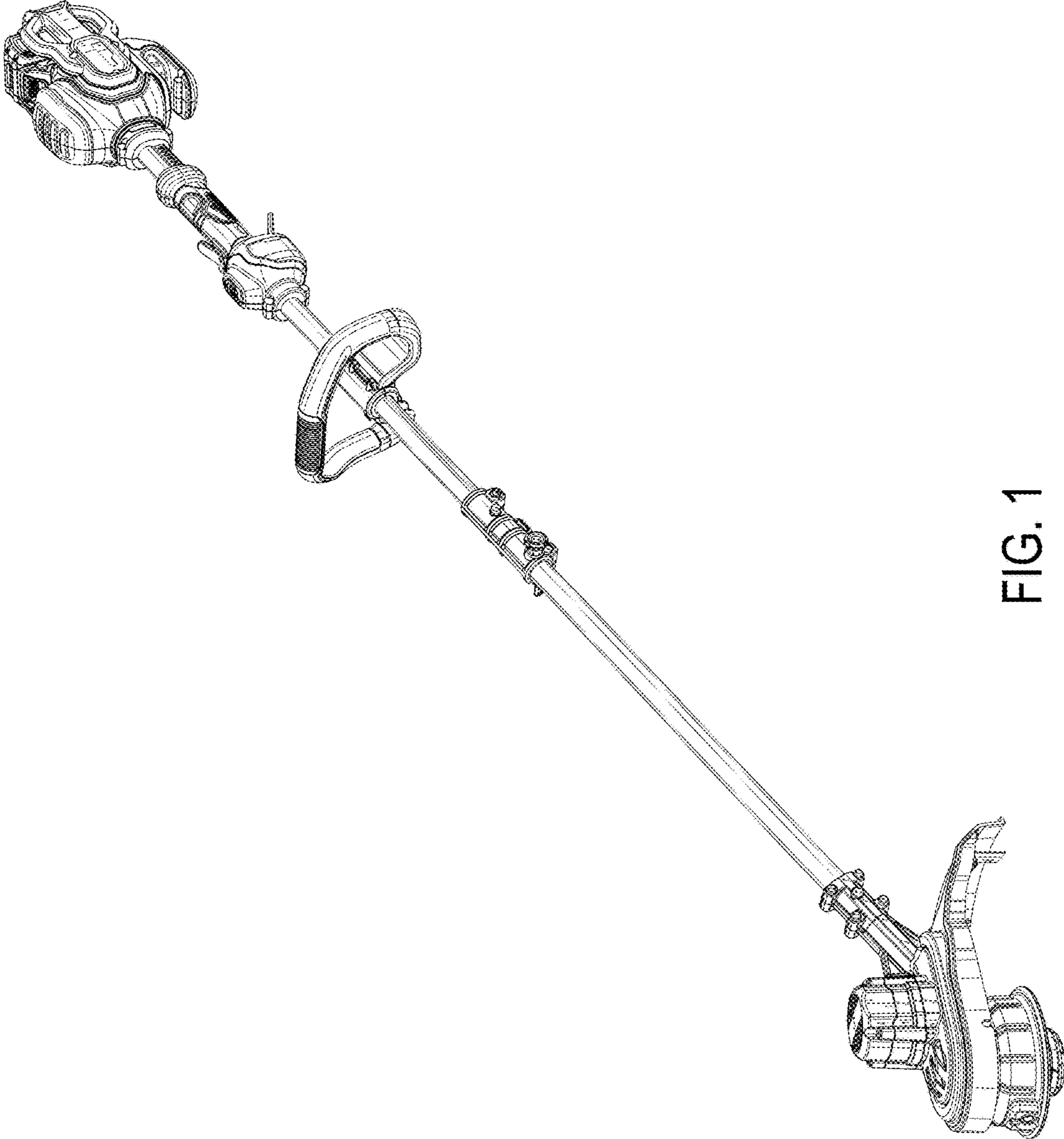


FIG. 1

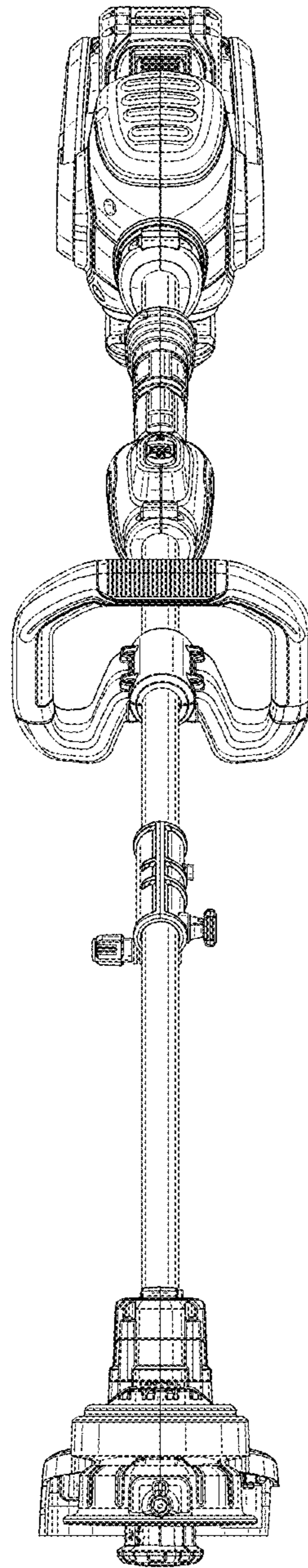


FIG. 2

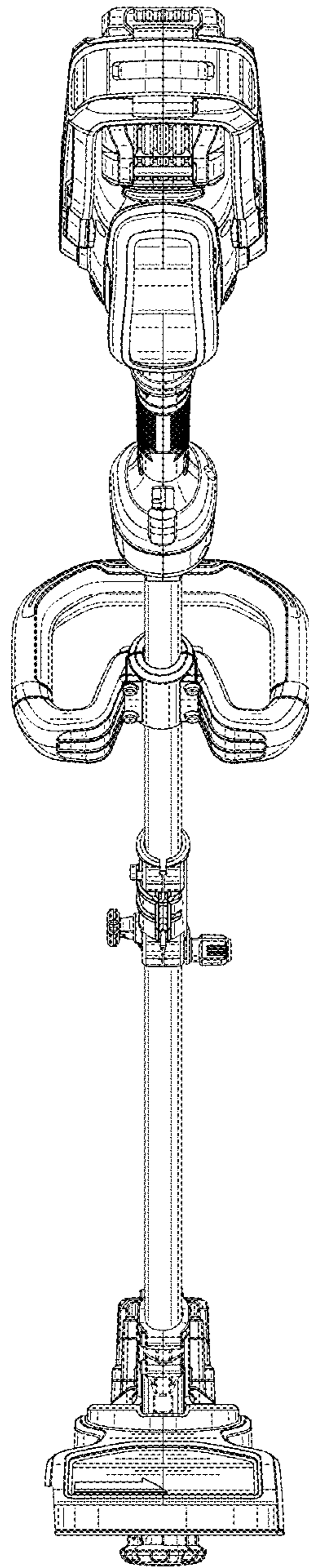


FIG. 3

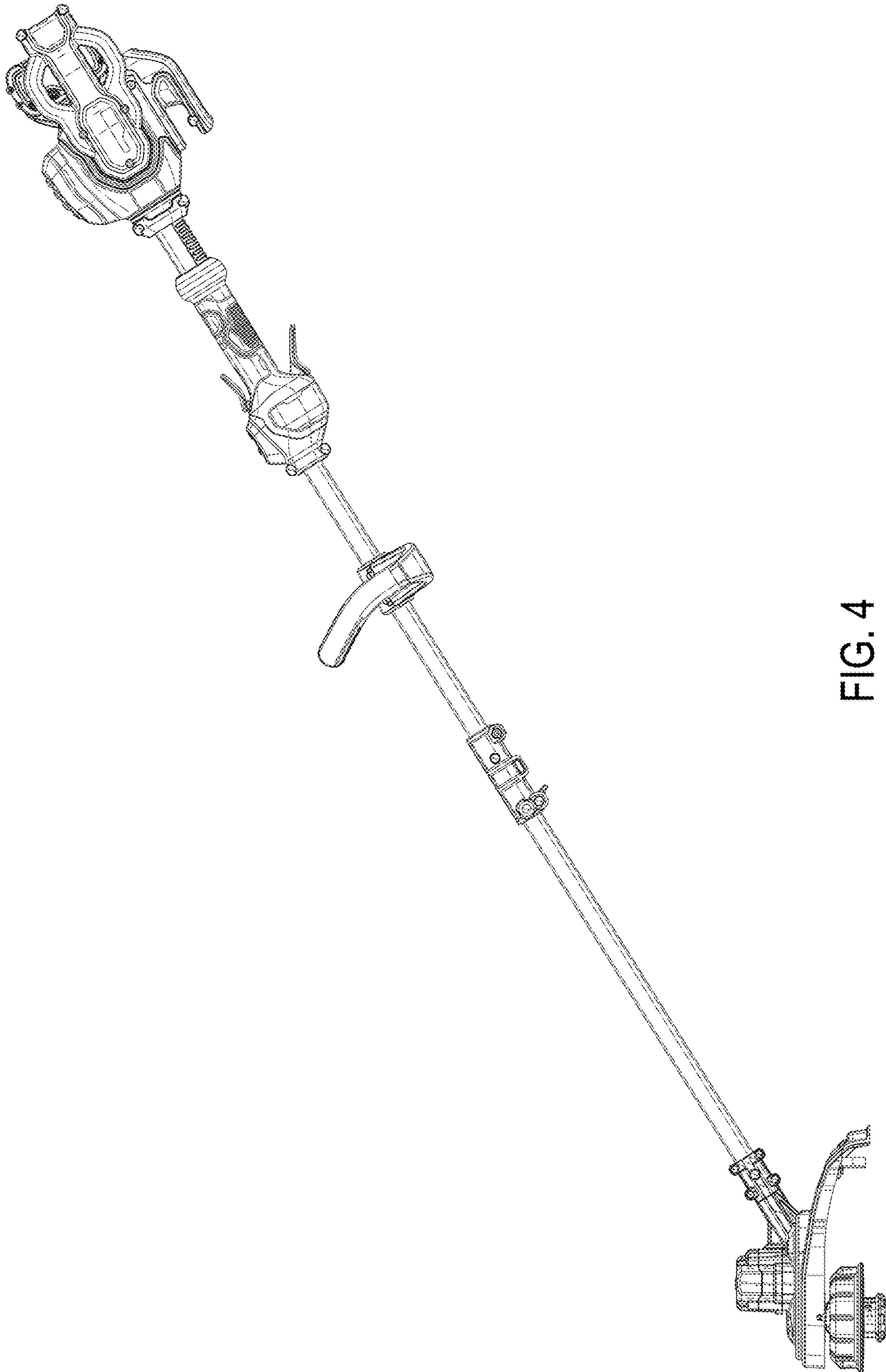


FIG. 4

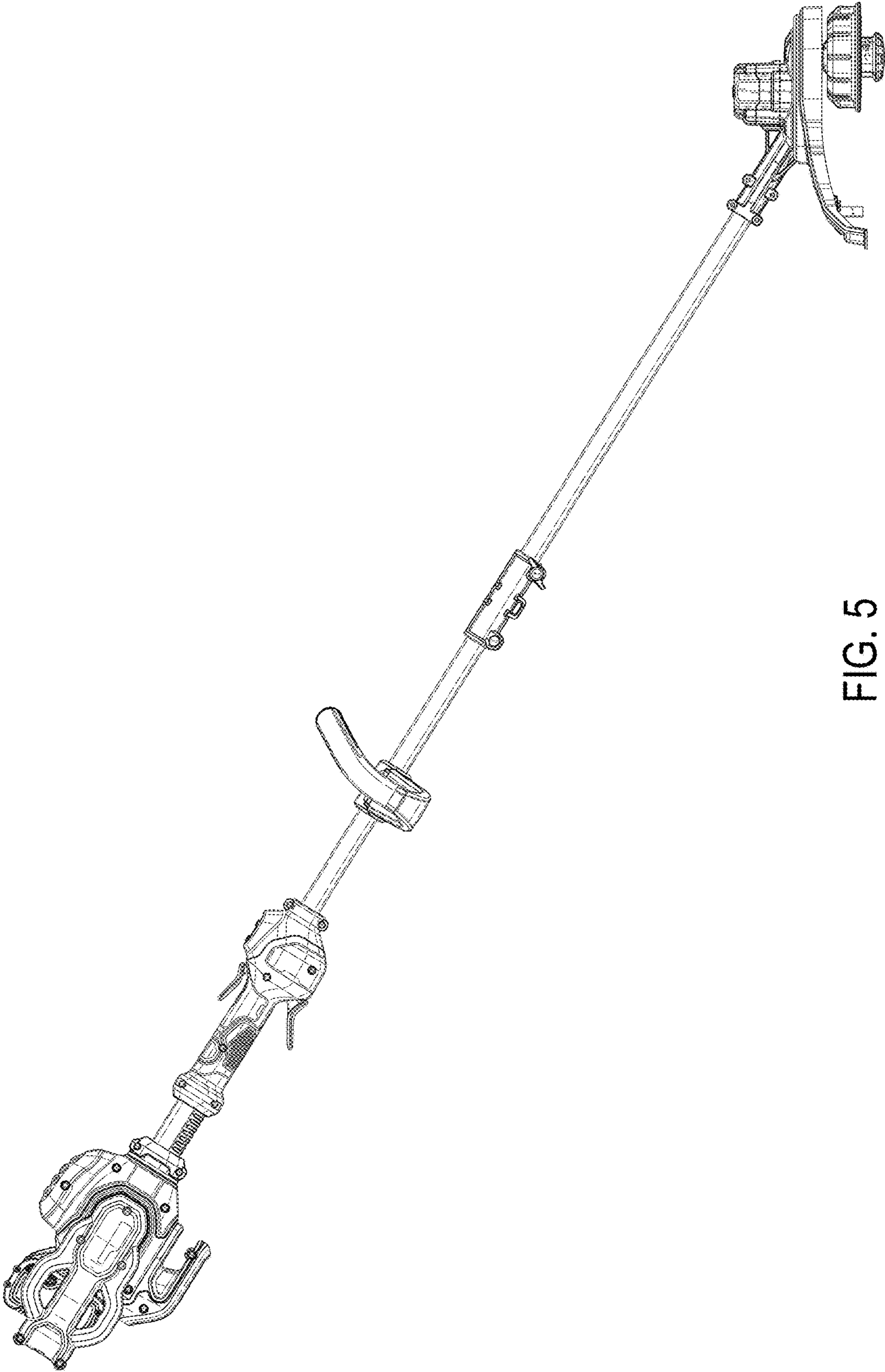


FIG. 5

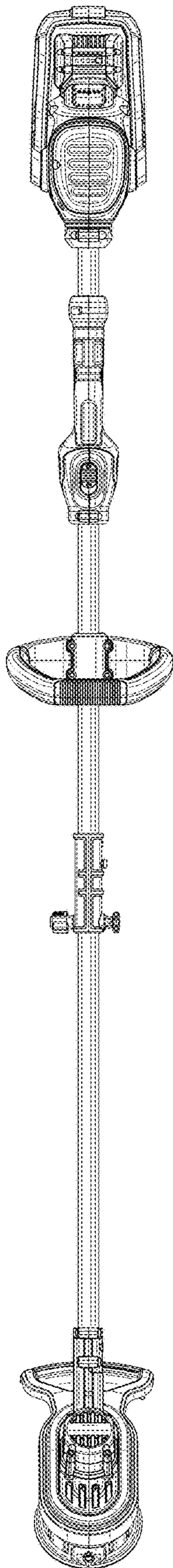


FIG. 6

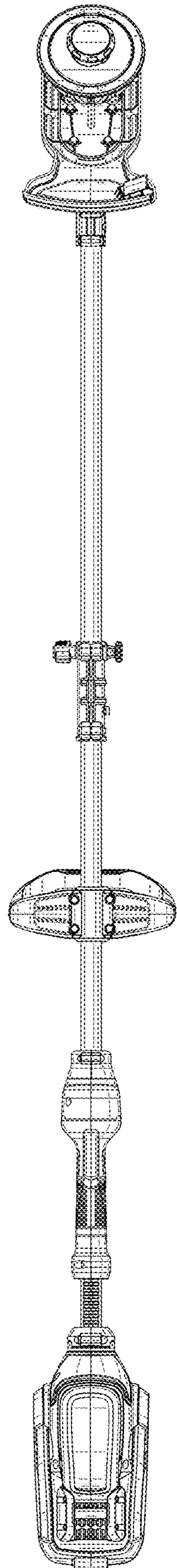


FIG. 7