



US00D813619S

(12) **United States Design Patent**  
**Cloutier**

(10) **Patent No.:** **US D813,619 S**  
(45) **Date of Patent:** **\*\* Mar. 27, 2018**

(54) **SKEWER WITH PUSHING COMPONENT**

(71) Applicant: **Magellan Home-Goods Ltd.**, Blaine, WA (US)

(72) Inventor: **Andre Dean Cloutier**, Blaine, WA (US)

(73) Assignee: **Magellan Home-Goods Ltd.**, Blaine, WA (US)

(\*\*) Term: **15 Years**

(21) Appl. No.: **29/564,831**

(22) Filed: **May 16, 2016**

(51) **LOC (11) Cl.** ..... **07-06**

(52) **U.S. Cl.**  
USPC ..... **D7/683**

(58) **Field of Classification Search**  
USPC ..... D7/368, 393, 395, 401.2, 412, 669, 683,  
D7/684; D8/14, 15, 303  
CPC ..... A22C 21/0038; A47J 43/18; A47J 43/283;  
A01K 81/04  
See application file for complete search history.

(56) **References Cited**

U.S. PATENT DOCUMENTS

- 3,078,787 A \* 2/1963 Arseneault ..... A47J 43/283  
294/61
- D431,753 S \* 10/2000 Cohen ..... D7/395
- 6,286,418 B1 \* 9/2001 Berke ..... A47J 43/18  
452/198
- D455,606 S \* 4/2002 Lee ..... D7/395
- D468,156 S \* 1/2003 Yu ..... D7/395

- D503,071 S \* 3/2005 Lu ..... D7/395
- D524,124 S \* 7/2006 Tashjian ..... D7/683
- 7,104,577 B1 \* 9/2006 Berke ..... A47J 43/18  
294/61
- D688,535 S \* 8/2013 Gentry ..... D7/381
- D694,075 S \* 11/2013 Zemel ..... D7/683
- D737,626 S \* 9/2015 Lu ..... D7/395

\* cited by examiner

*Primary Examiner* — Karen S Acker  
*Assistant Examiner* — Steven B Reinholdt, Jr.  
(74) *Attorney, Agent, or Firm* — Schacht Law Office, Inc.; Dwayne Rogge

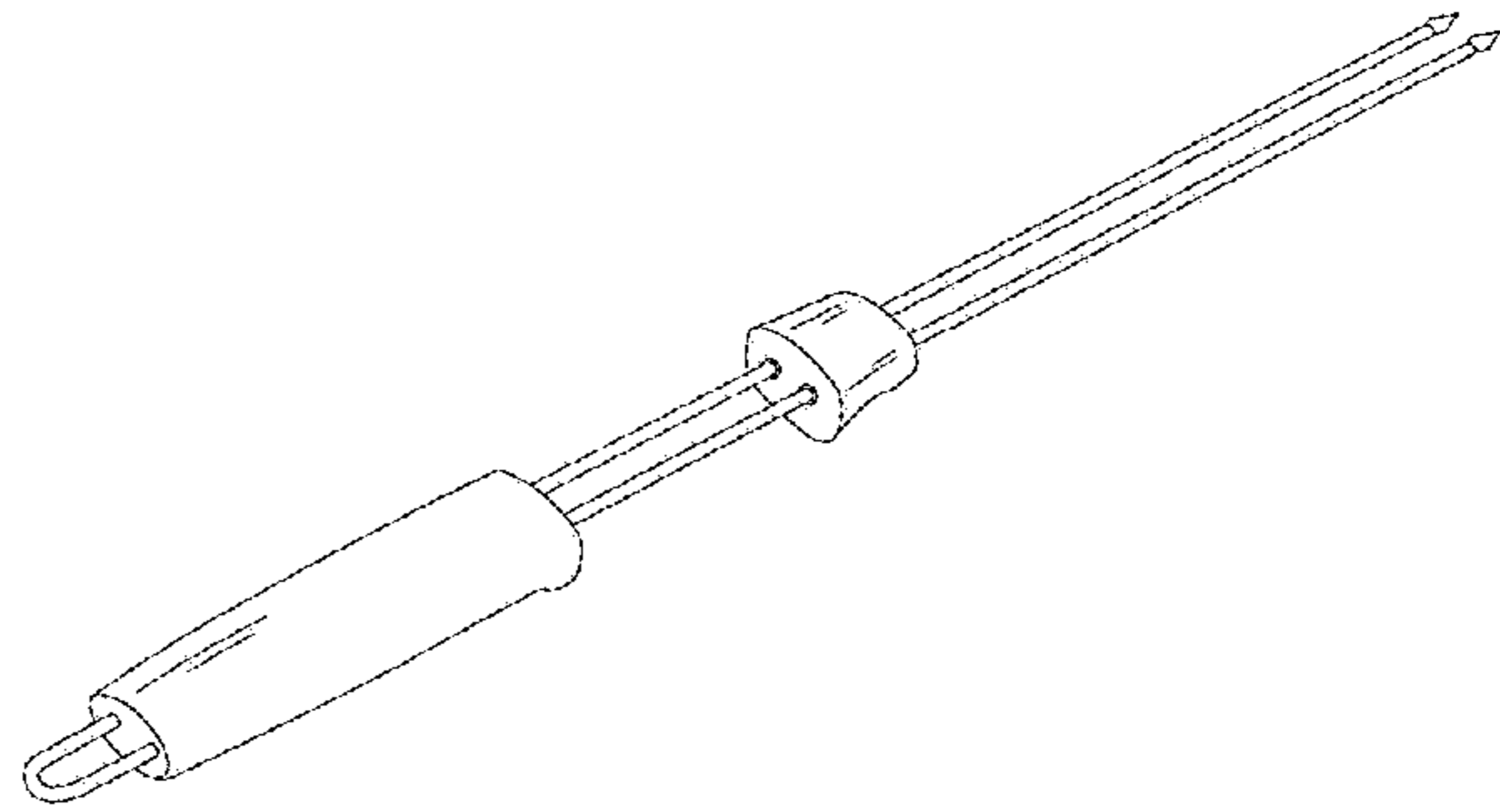
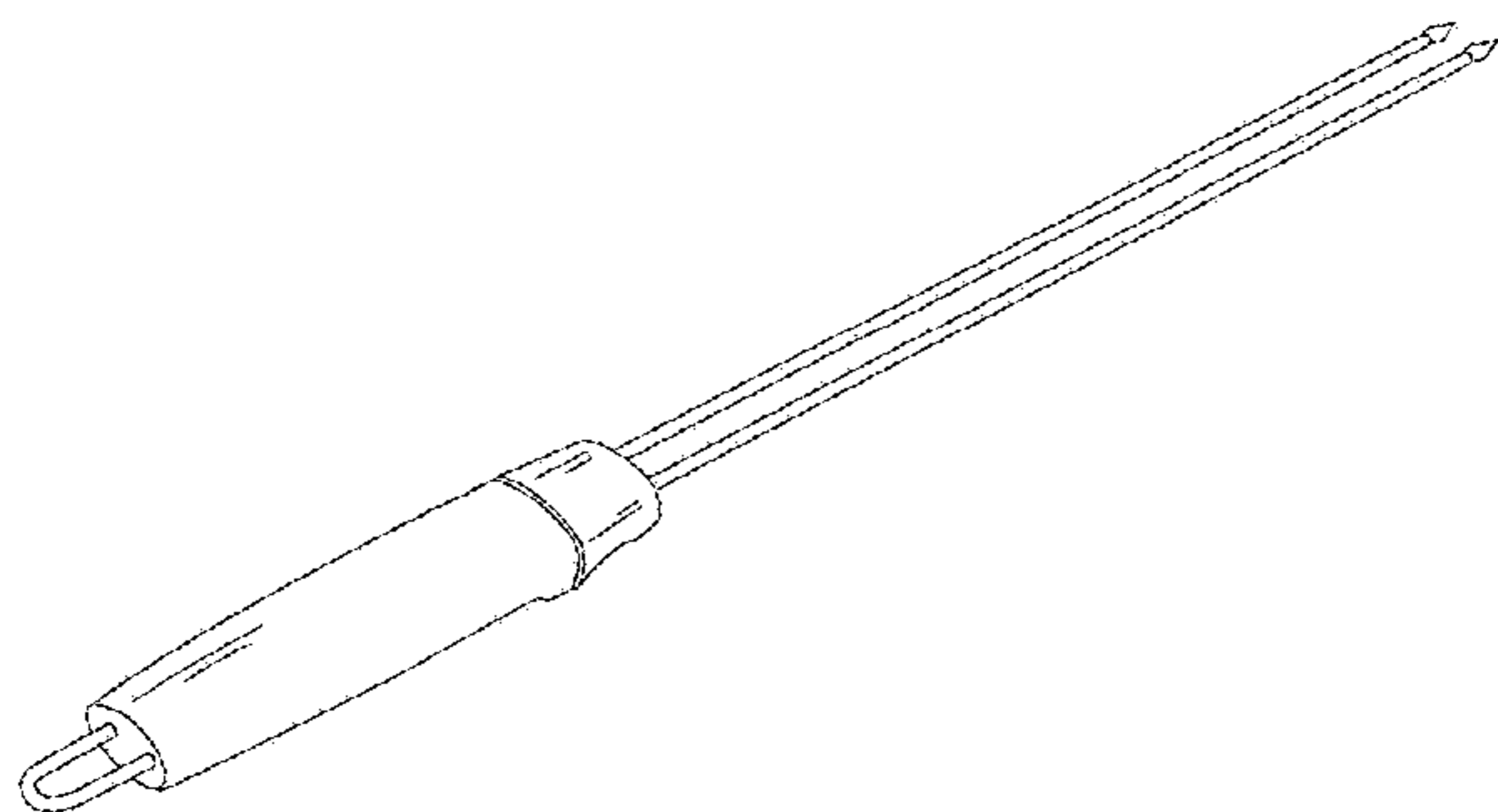
(57) **CLAIM**

The ornamental design for a skewer with pushing component, as shown and described.

**DESCRIPTION**

FIG. 1 is a top isometric view of the skewer with pushing component embodying the new design.  
FIG. 2 is a top isometric view of the skewer with pushing component in an alternate position.  
FIG. 3 is a top view of the skewer with pushing component of FIG. 1.  
FIG. 4 is a bottom view thereof.  
FIG. 5 is a side view thereof with the opposing side view being a mirror image thereof  
FIG. 6 is a rear view thereof; and,  
FIG. 7 is a front view thereof.

**1 Claim, 2 Drawing Sheets**



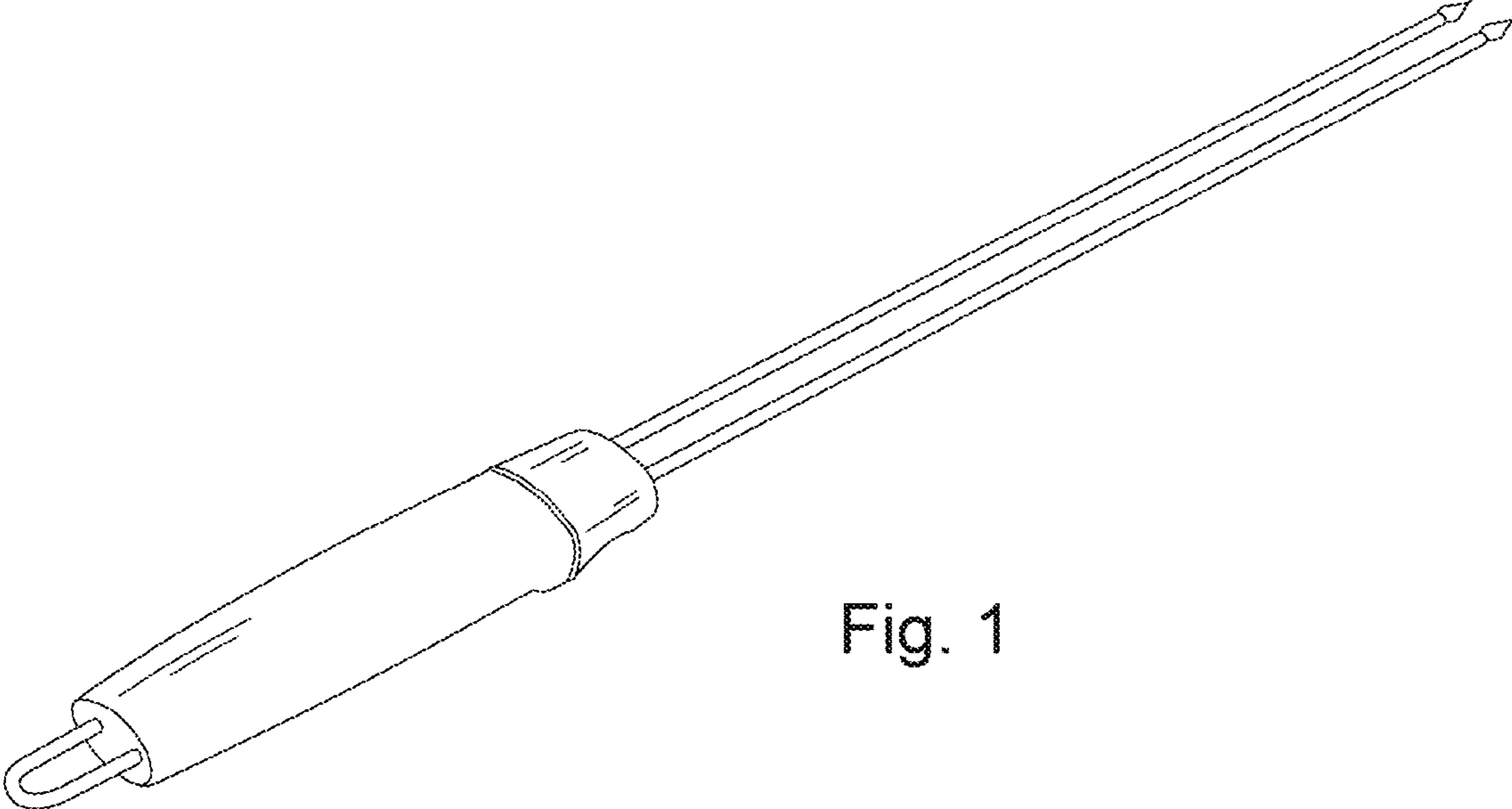


Fig. 1

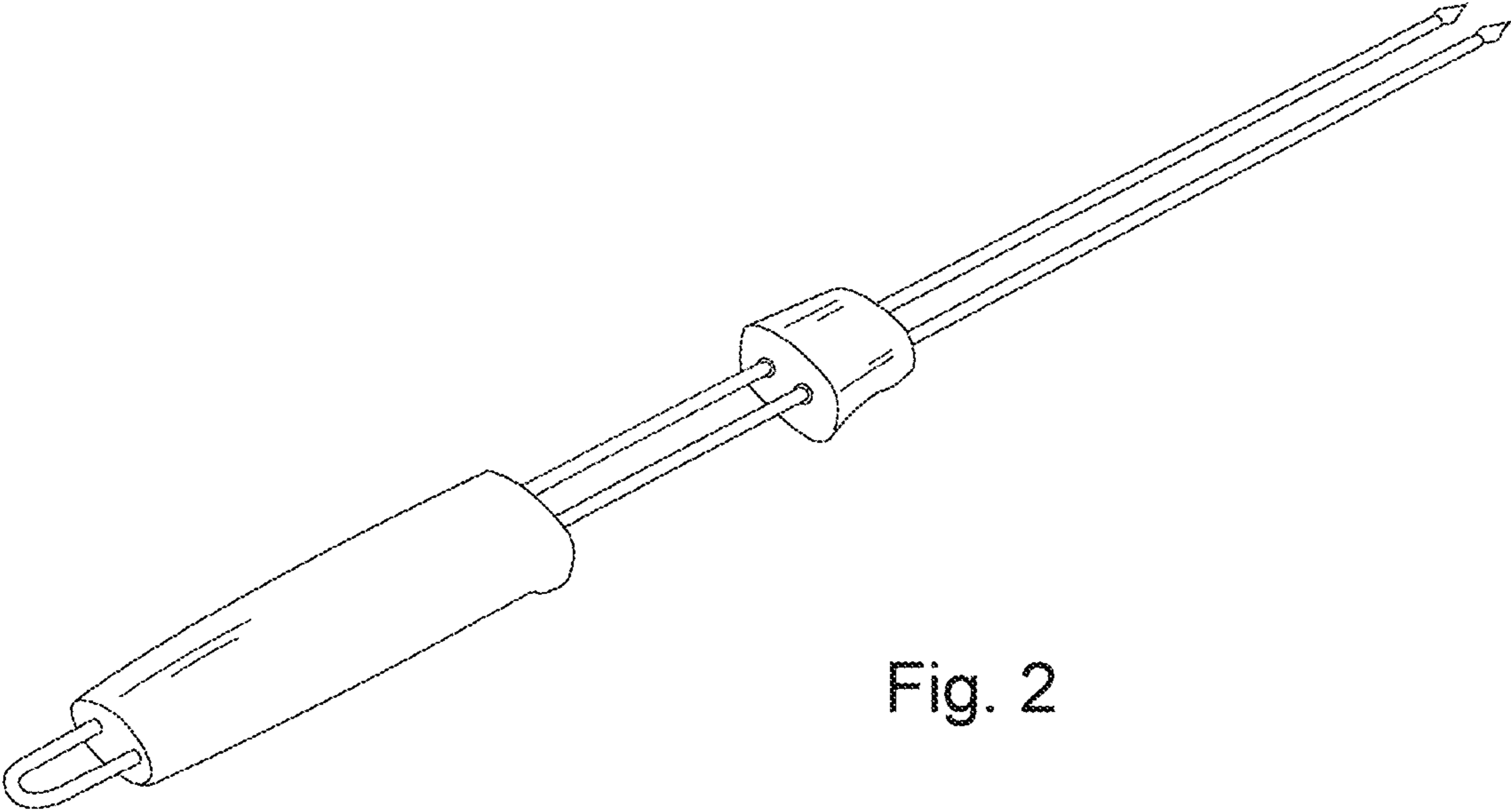


Fig. 2

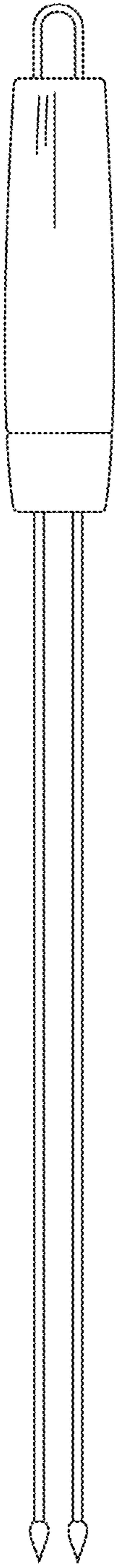


Fig. 3

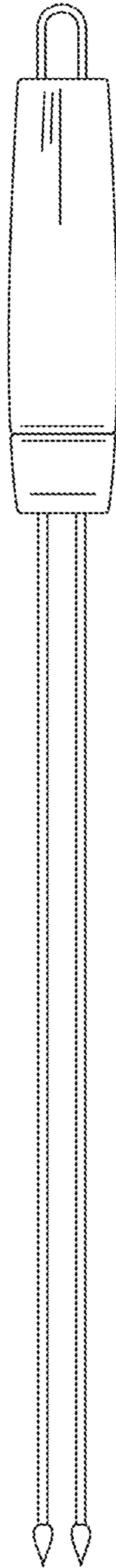


Fig. 4

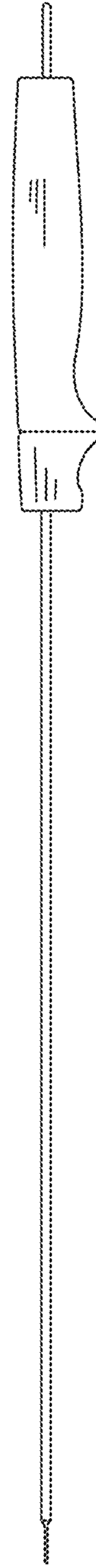


Fig. 5

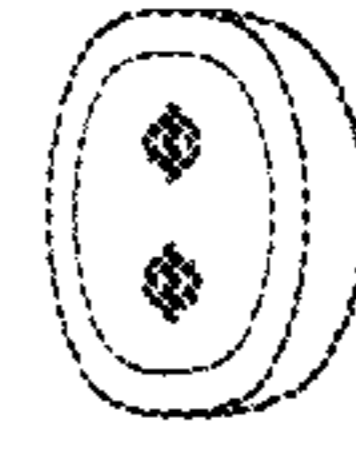


Fig. 7



Fig. 6