



US00D813617S

(12) **United States Design Patent**  
**Mitsch**

(10) **Patent No.:** **US D813,617 S**  
(45) **Date of Patent:** **\*\* Mar. 27, 2018**

- (54) **EGG MOLD**
- (71) Applicant: **Lifetime Brands, Inc.**, Garden City, NY (US)
- (72) Inventor: **Carl Mitsch**, Rumford, RI (US)
- (73) Assignee: **LIFETIME BRANDS, INC.**, Garden City, NJ (US)
- (\*\*) Term: **15 Years**
- (21) Appl. No.: **29/594,987**
- (22) Filed: **Feb. 24, 2017**
- (51) **LOC (11) Cl.** ..... **07-04**
- (52) **U.S. Cl.**  
USPC ..... **D7/676**
- (58) **Field of Classification Search**  
USPC ..... D7/672-677, 354, 693-696, 678, 357;  
99/422  
CPC .. A47J 43/00; A47J 43/25; A47J 25/00; A47J 43/20; A47J 29/00; B26D 2210/02; B26D 1/143; B26D 3/283; B26D 3/26; B26D 3/185; B26D 2003/288; B26D 2003/286; B26D 2003/285; B26D 2003/287; A23G 3/0034; A23G 3/0273; A23L 15/00  
See application file for complete search history.

4,488,479 A *	12/1984	Sloan	.....	A47J 29/00	126/380.1
D614,456 S *	4/2010	Ablo	.....	D7/675	
8,474,372 B2 *	7/2013	Stacey	.....	A47J 29/02	D7/357
D740,622 S *	10/2015	Tandon	.....	D7/675	
2004/0060457 A1 *	4/2004	Williams	.....	A47J 37/067	99/422
2006/0117963 A1 *	6/2006	Schneider	.....	A47J 43/20	99/403
2014/0033544 A1 *	2/2014	Cline	.....	B26B 27/00	30/295

\* cited by examiner

*Primary Examiner* — Susan Bennett Hattan  
*Assistant Examiner* — Brett Miller  
(74) *Attorney, Agent, or Firm* — Tutunjian & Bitetto, P.C.

(57) **CLAIM**

The ornamental design for an egg mold, as shown and described.

**DESCRIPTION**

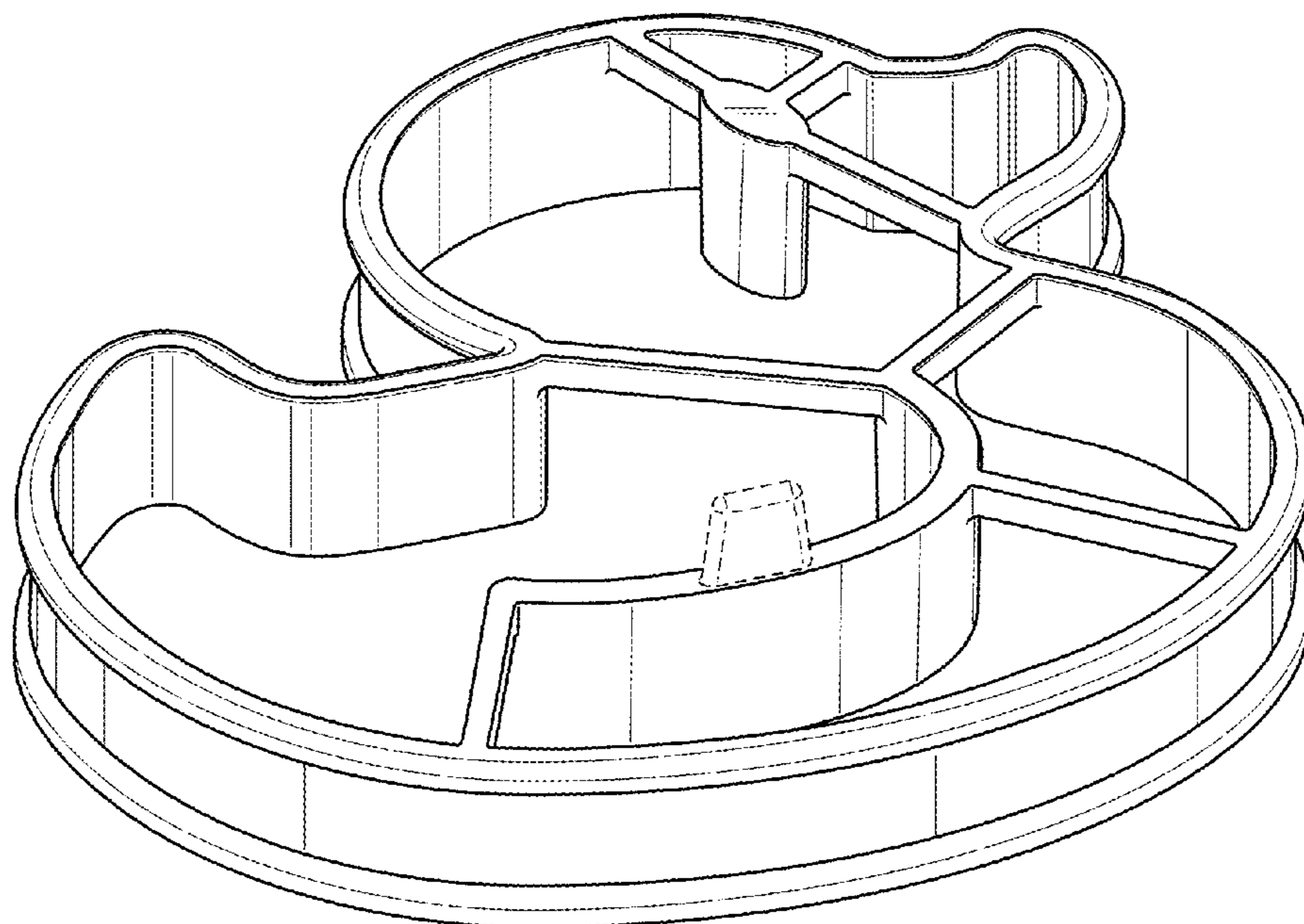
FIG. 1 is a perspective view of the egg mold showing my new design;  
FIG. 2 is a top view thereof;  
FIG. 3 is a front view thereof;  
FIG. 4 is a right side view thereof;  
FIG. 5 is a rear view thereof;  
FIG. 6 is a left side view thereof; and,  
FIG. 7 is a bottom view thereof.  
The broken lines in the drawings depict portions of the egg mold that form no part of the claimed design.

(56) **References Cited**

**U.S. PATENT DOCUMENTS**

- D17,021 S \* 12/1886 Kostmayer ..... D18/15
- D154,318 S \* 6/1949 Price ..... D7/676

**1 Claim, 5 Drawing Sheets**



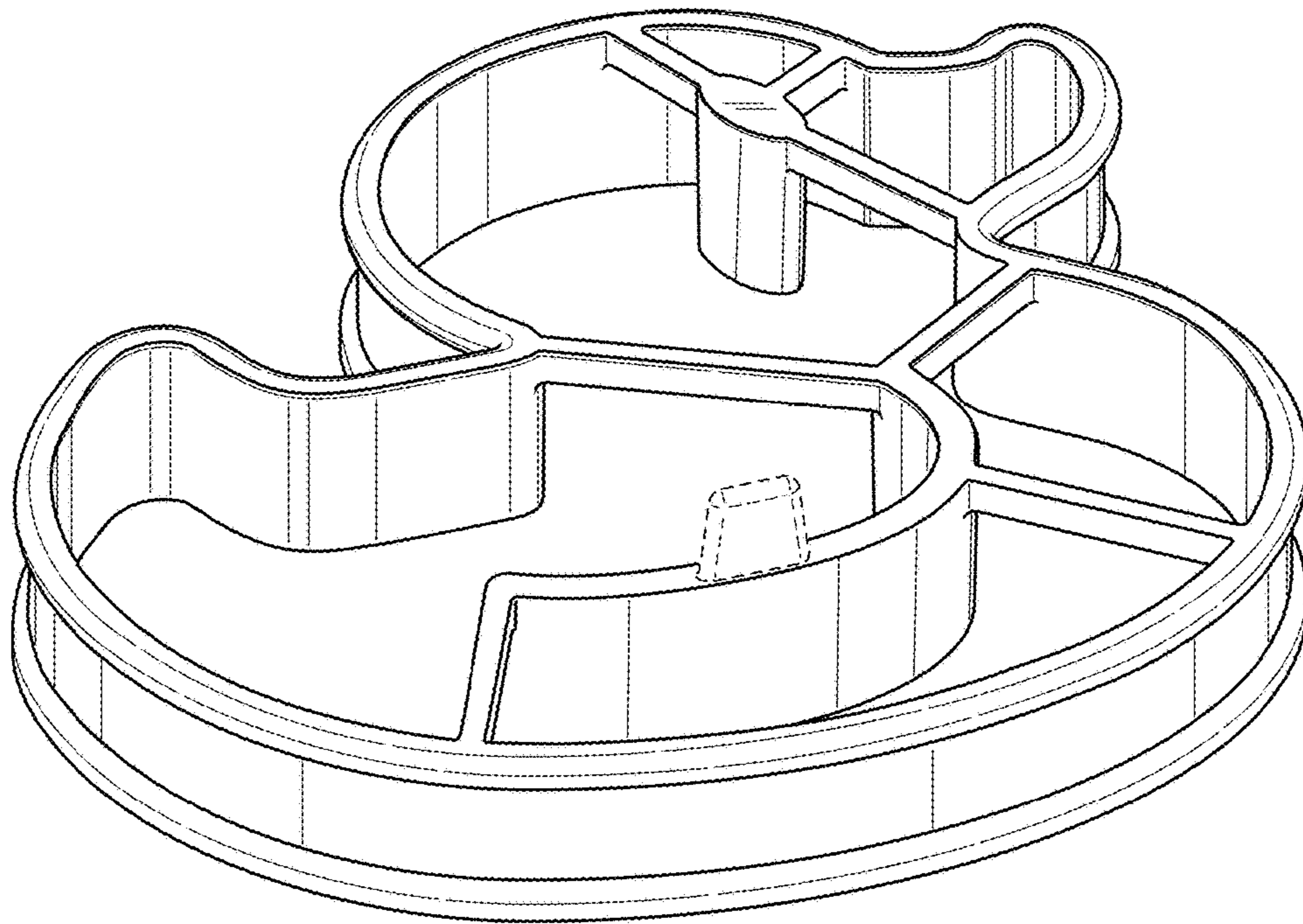


FIG. 1

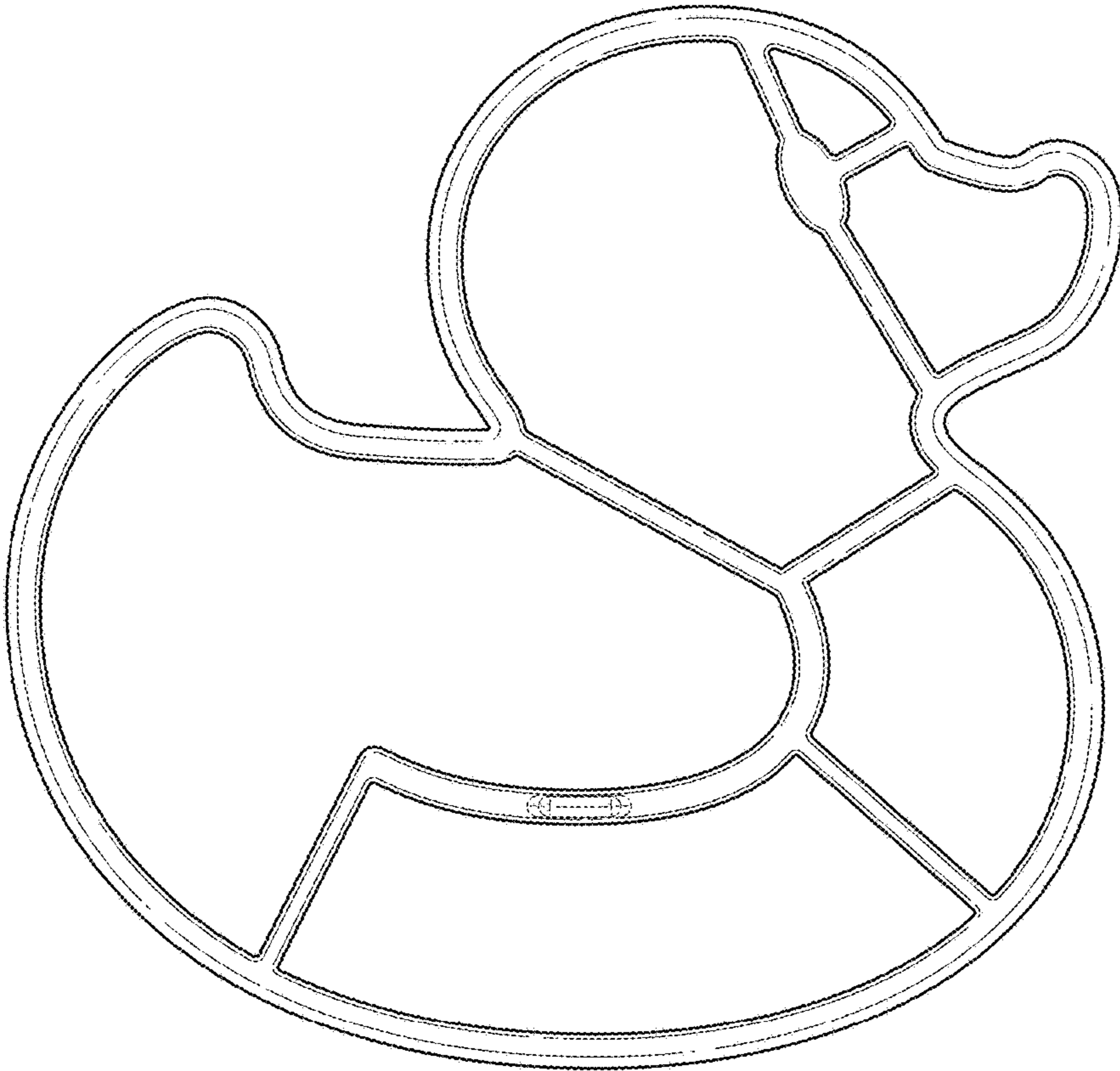


FIG. 2

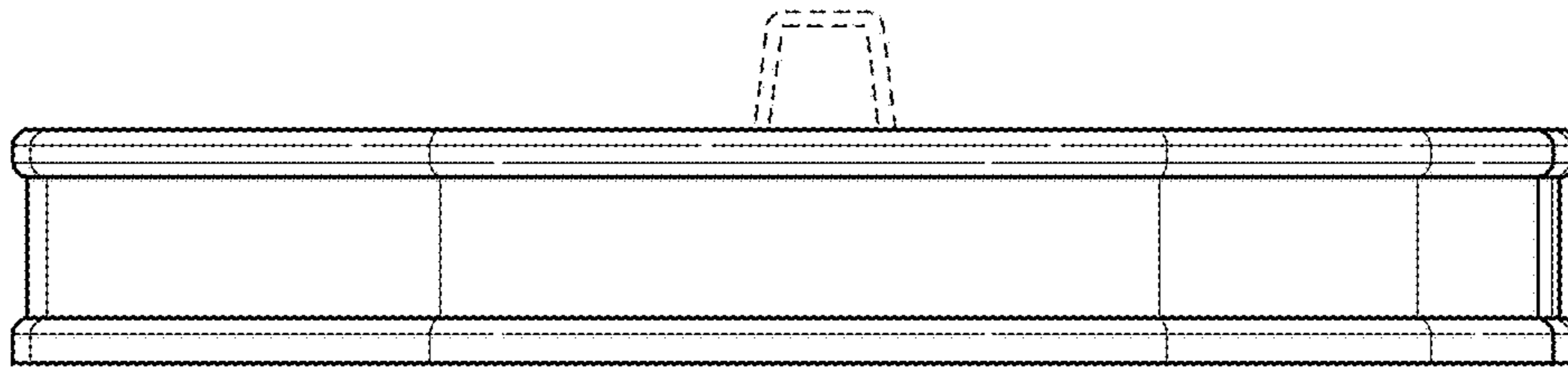


FIG. 3

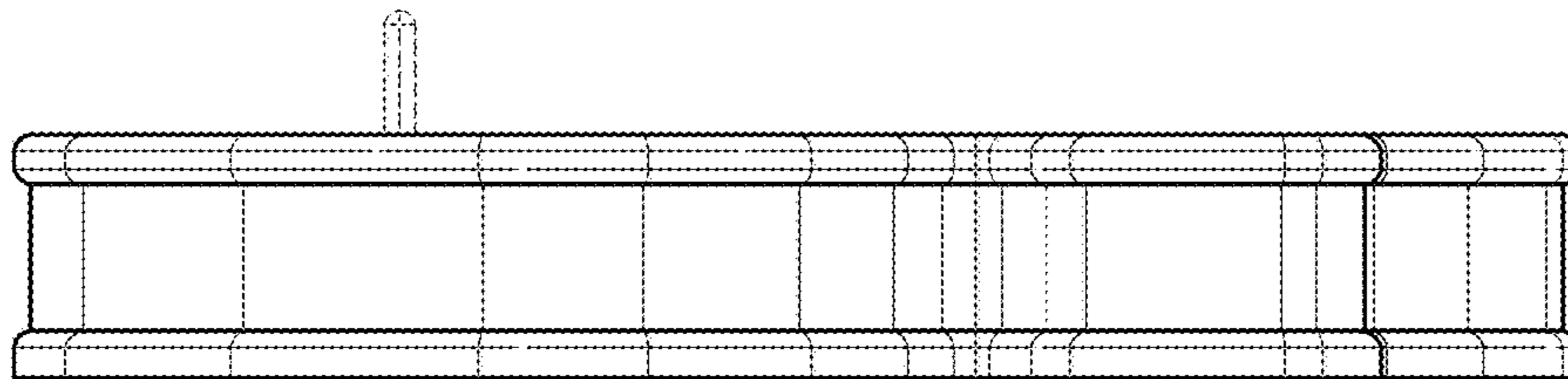


FIG. 4

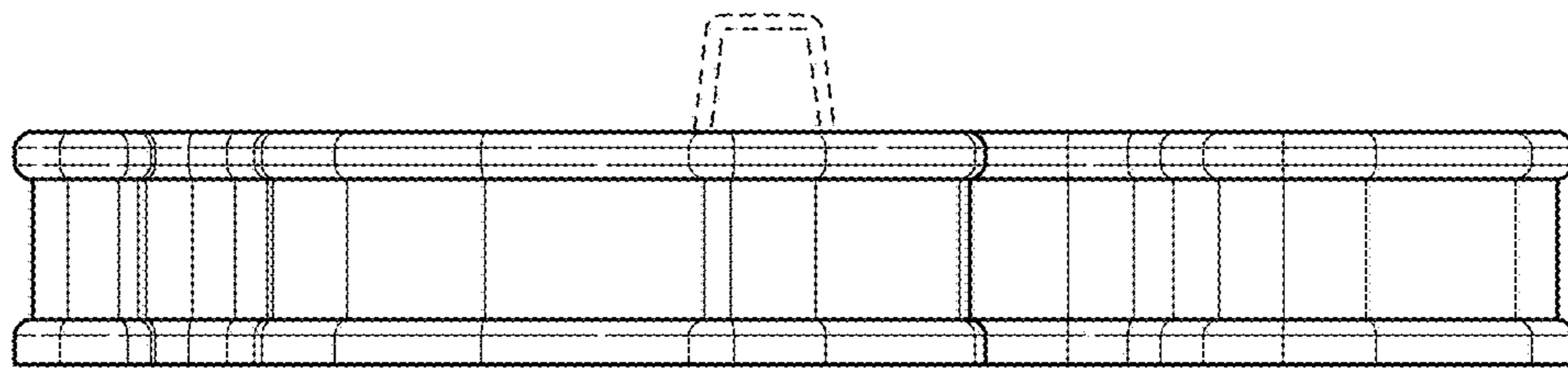


FIG. 5

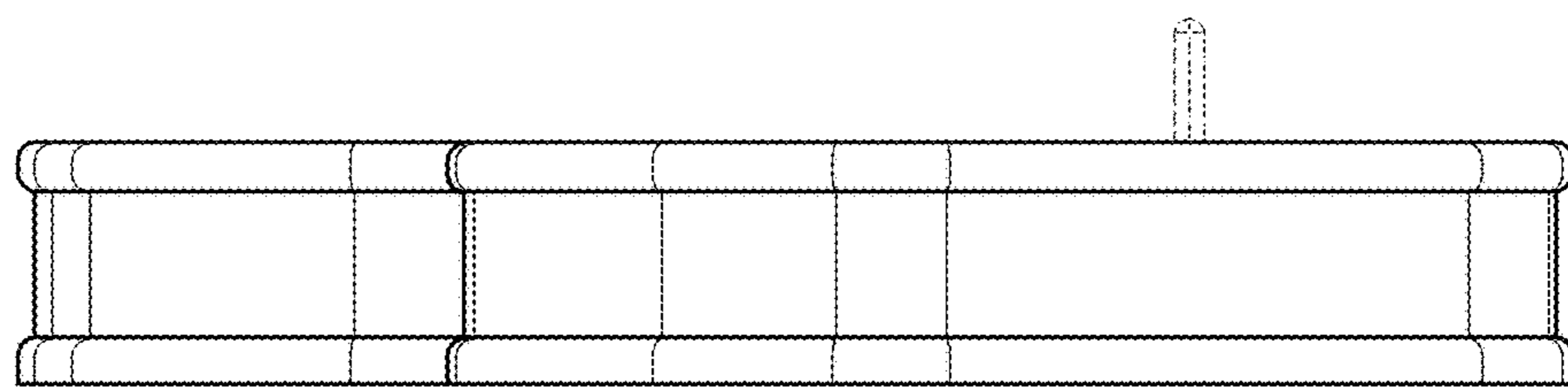


FIG. 6

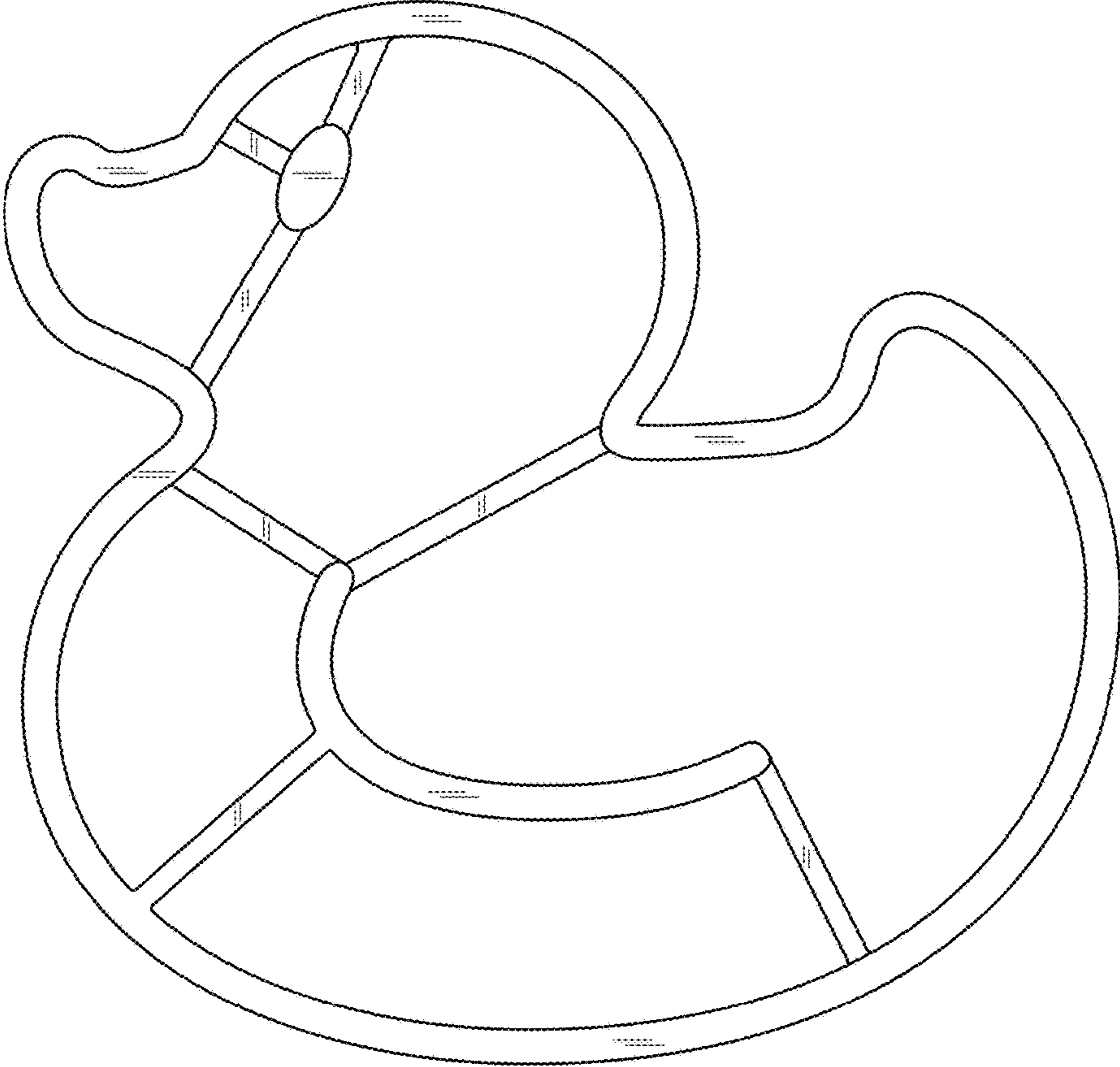


FIG. 7