



US00D813613S

(12) **United States Design Patent**
Wall

(10) **Patent No.:** **US D813,613 S**

(45) **Date of Patent:** **** Mar. 27, 2018**

(54) **STAINLESS STEEL BOTTLE**

D635,457 S * 4/2011 Lane D7/510
D708,954 S * 7/2014 Barnes D7/511
D709,734 S * 7/2014 Kotani D7/608

(71) Applicant: **Marty Guy Wall**, Greenbrier, TN (US)

(72) Inventor: **Marty Guy Wall**, Greenbrier, TN (US)

(**) Term: **15 Years**

(21) Appl. No.: **29/588,018**

(22) Filed: **Dec. 16, 2016**

(51) **LOC (11) Cl.** **07-01**

(52) **U.S. Cl.**
USPC **D7/608**

(58) **Field of Classification Search**
USPC D7/603–608, 509–511; D9/500–504,
D9/549, 559, 574, 575
CPC A47G 19/2205; A47G 2019/2294; A47J
41/02; A47J 41/0077; A47J 41/0072;
B65D 81/3823; B65D 1/0215
See application file for complete search history.

(56) **References Cited**

U.S. PATENT DOCUMENTS

D279,346 S * 6/1985 Ruxton D7/321
D626,416 S * 11/2010 Cresswell D7/510

* cited by examiner

Primary Examiner — Terry A Wallace
(74) *Attorney, Agent, or Firm* — Dunlap Bennett &
Ludwig PLLC; Brendan E. Squire

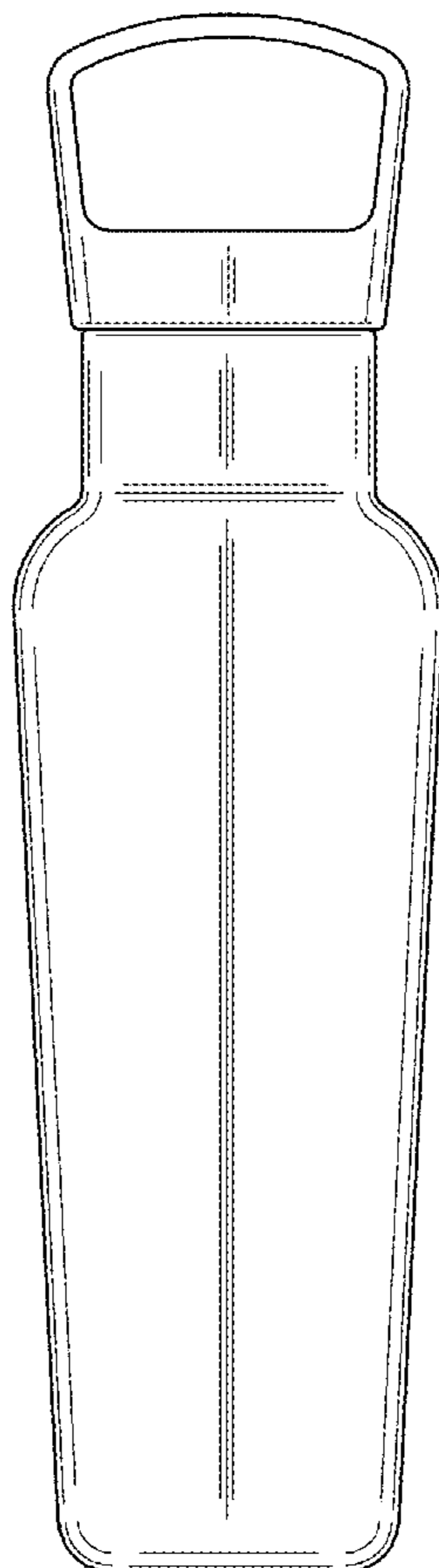
(57) **CLAIM**

The ornamental design for a stainless steel bottle, as shown and described.

DESCRIPTION

FIG. 1 is a front perspective view of a stainless steel bottle showing the new design;
FIG. 2 is a front elevation view thereof;
FIG. 3 is a top plan view thereof;
FIG. 4 is a bottom plan view thereof; and,
FIG. 5 is a cross sectional view thereof, taken along line 5-5 of FIG. 4.

1 Claim, 4 Drawing Sheets



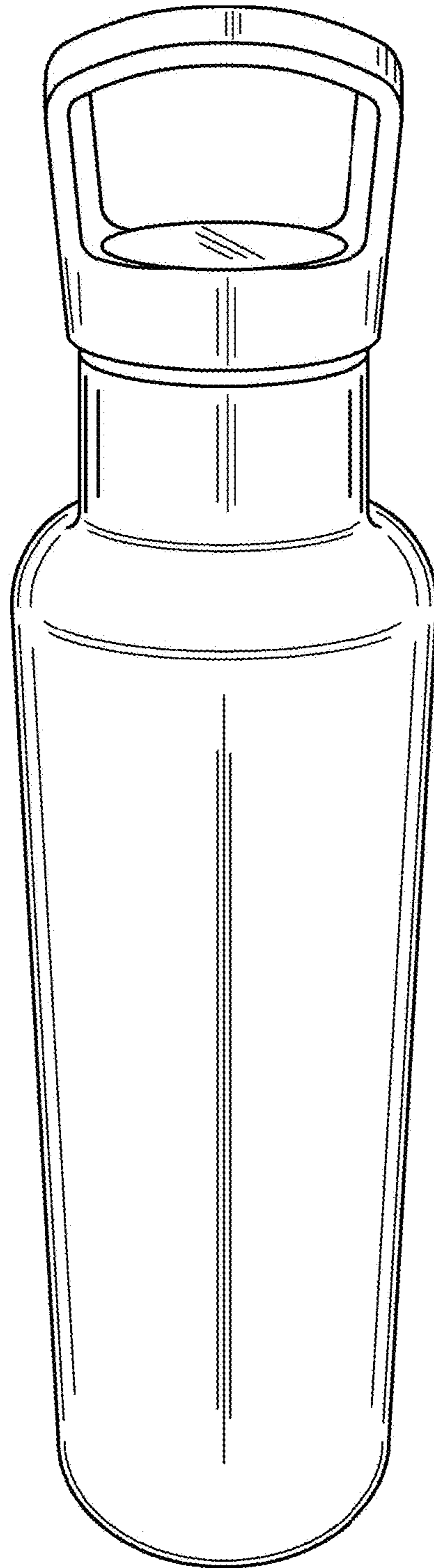


Fig. 1

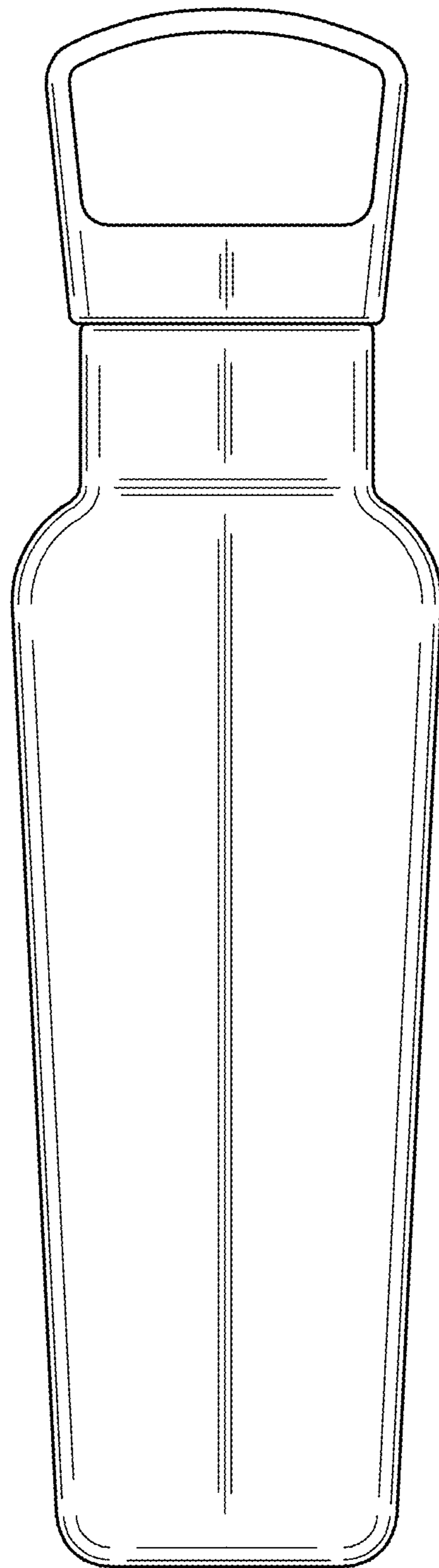


Fig. 2

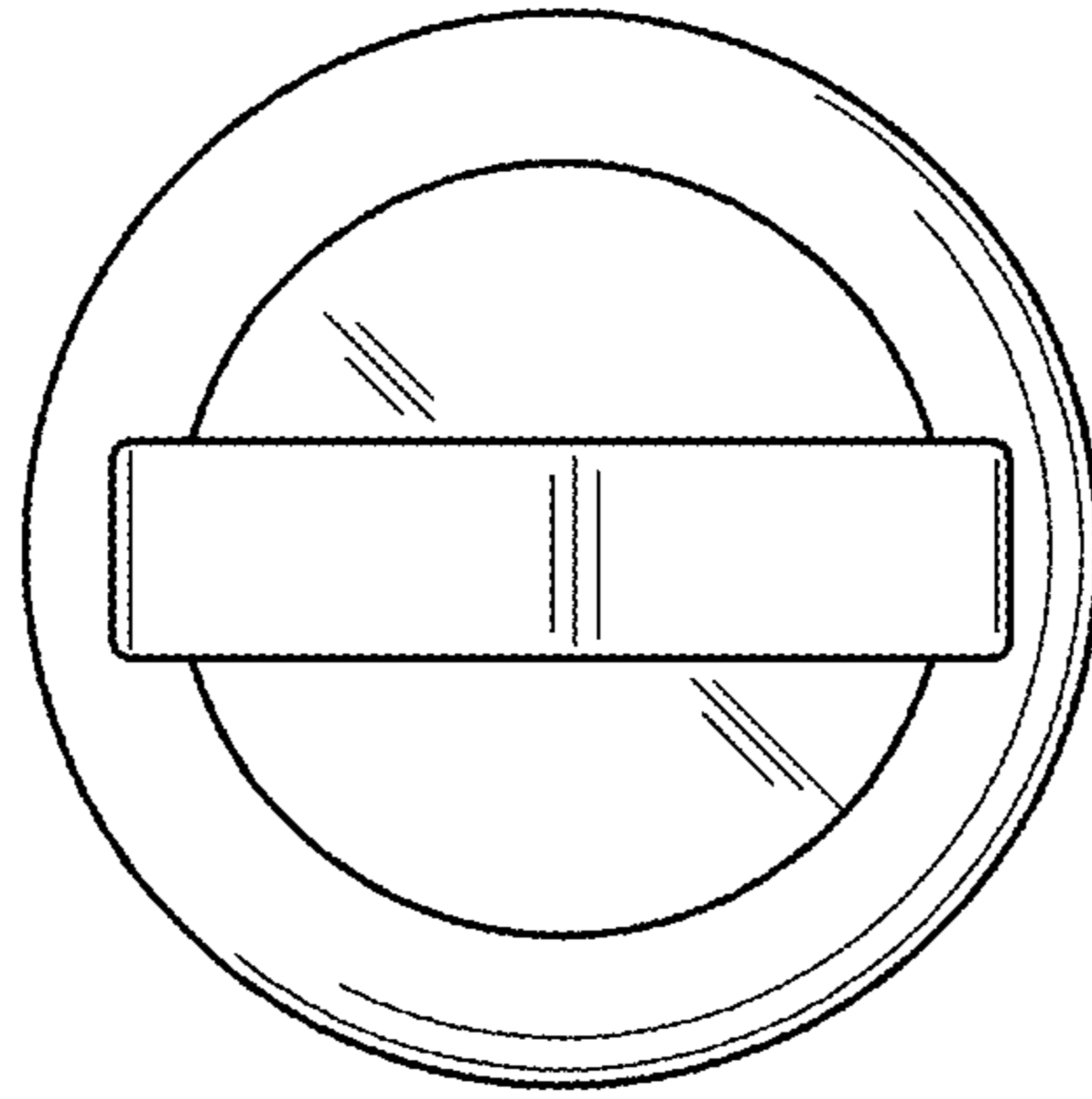


Fig. 3

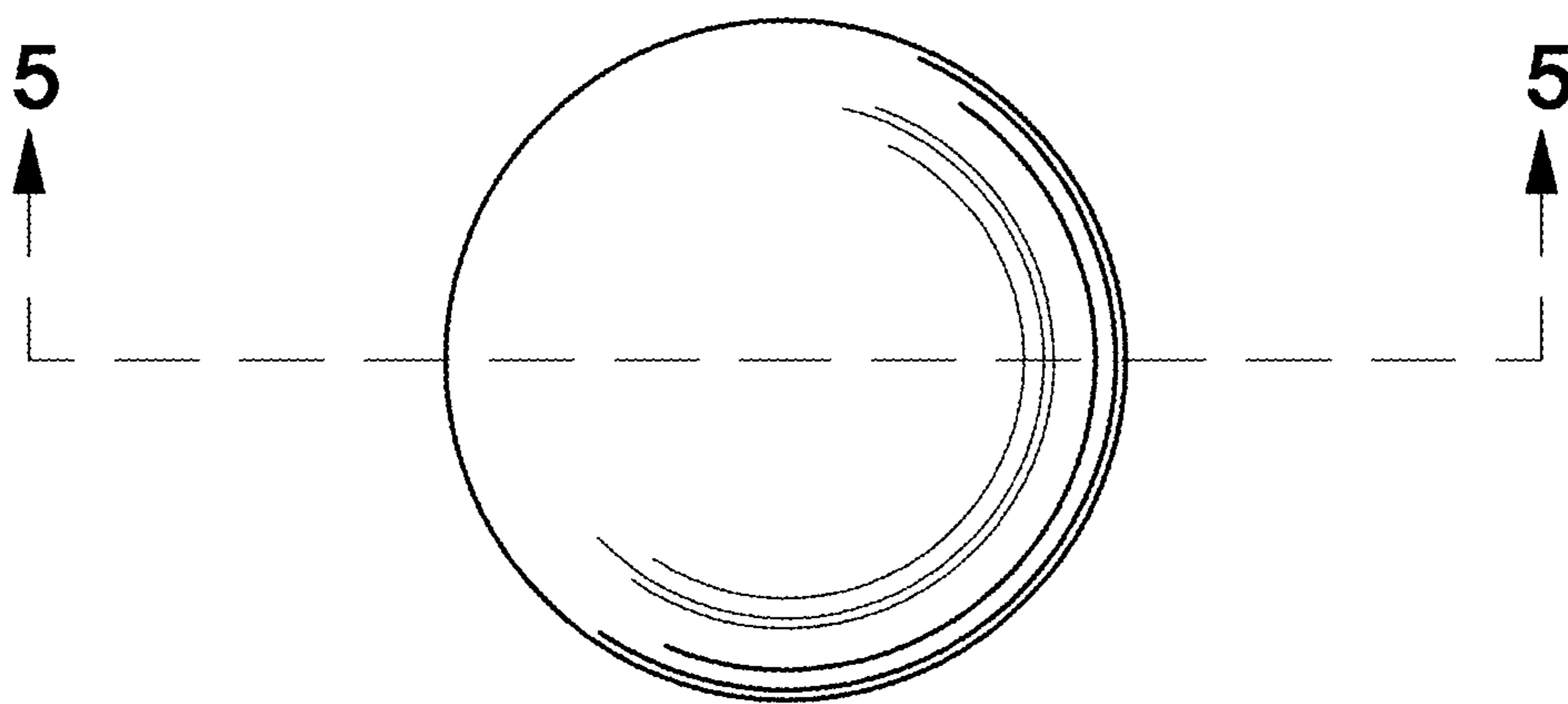


Fig. 4

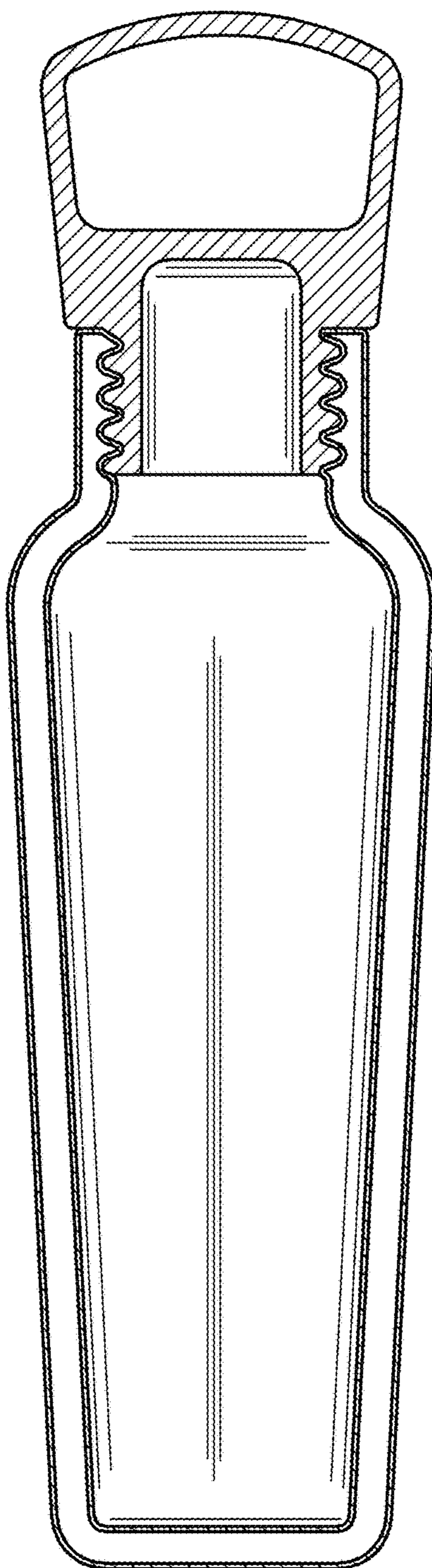


Fig. 5