



US00D813612S

(12) **United States Design Patent**  
**Light**

(10) **Patent No.:** **US D813,612 S**

(45) **Date of Patent:** **\*\* Mar. 27, 2018**

(54) **CURVED END FLOATING COOLER**

6,014,833 A \* 1/2000 Benavidez ..... A01K 97/06  
206/315.11

(71) Applicant: **Kenny Light**, Washburn, MO (US)

D569,194 S \* 5/2008 Chang ..... D7/605  
D613,128 S \* 4/2010 Blakeman ..... D7/606

(72) Inventor: **Kenny Light**, Washburn, MO (US)

\* cited by examiner

(\*\*) Term: **15 Years**

*Primary Examiner* — Terry Wallace

(74) *Attorney, Agent, or Firm* — Keisling & Pieper PLC;  
David B. Pieper

(21) Appl. No.: **29/582,106**

(22) Filed: **Oct. 25, 2016**

(51) **LOC (11) Cl.** ..... **07-01**

(52) **U.S. Cl.**

USPC ..... **D7/606**

(58) **Field of Classification Search**

USPC ..... D7/604, 606, 619.2, 625, 571, 514;  
D9/678; D3/270, 271.11

CPC ..... A01K 97/06; B63B 17/00; A45C 11/20;  
F25D 3/08

See application file for complete search history.

(56) **References Cited**

**U.S. PATENT DOCUMENTS**

4,398,488 A \* 8/1983 Mathieu ..... B63B 17/00  
114/343  
4,638,593 A \* 1/1987 Garcia ..... A01K 97/06  
43/54.1

(57) **CLAIM**

The ornamental design for a curved end floating cooler, as shown and described.

**DESCRIPTION**

FIG. 1 is a top perspective view of a curved end floating cooler showing my new design.

FIG. 2 is a bottom perspective view thereof.

FIG. 3 is a top plan view thereof.

FIG. 4 is a right side view thereof.

FIG. 5 is a left side view thereof.

FIG. 6 is a bottom plan view thereof.

FIG. 7 is a rear view thereof;

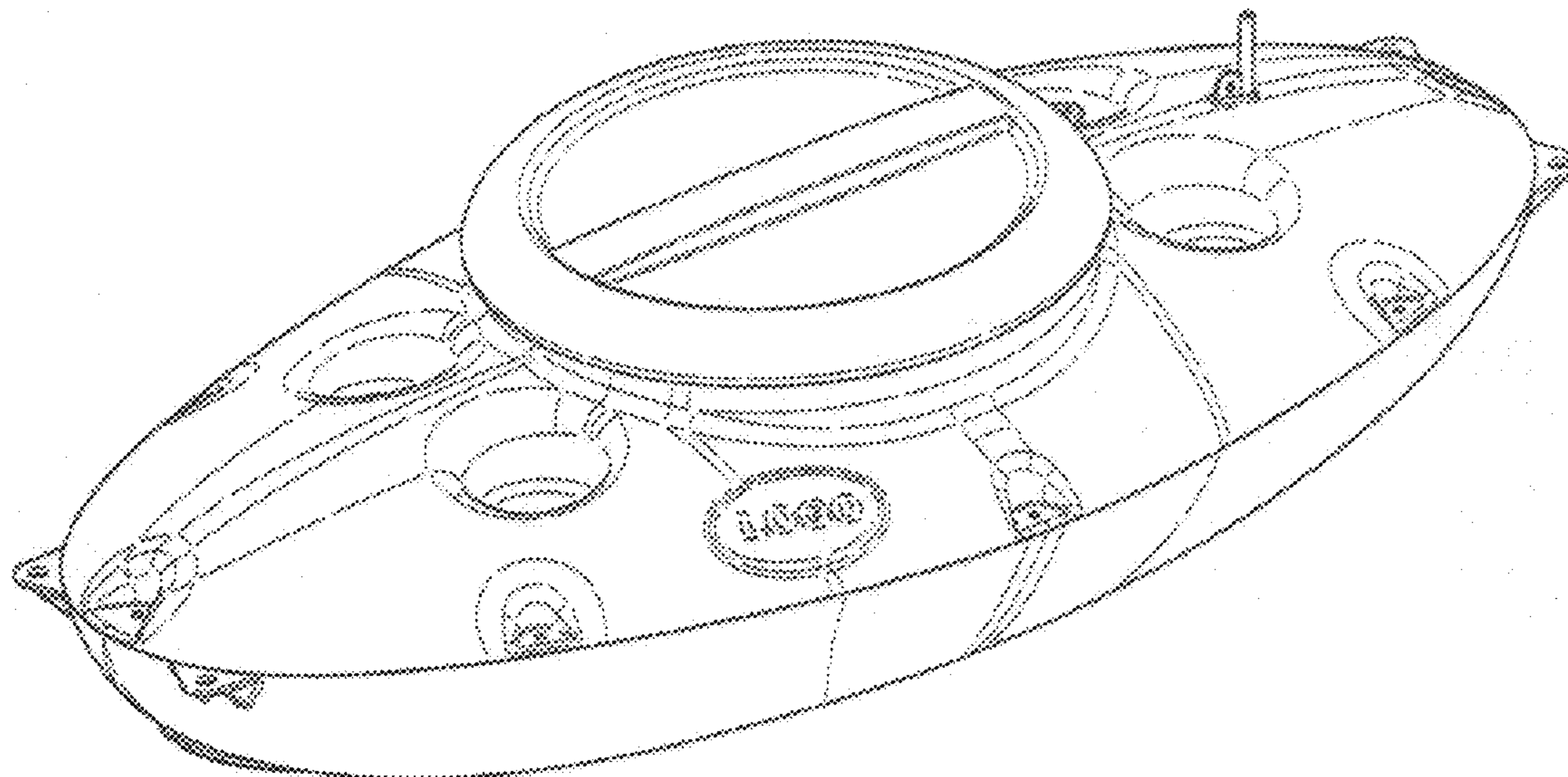
FIG. 8 is a front view thereof;

FIG. 9 is a perspective view thereof with the lid removed; and,

FIG. 10 is a right side view thereof with the lid removed.

The broken lines showing the interior of the cooler, that is visible when the lid is removed, form no part of the claimed design.

**1 Claim, 4 Drawing Sheets**



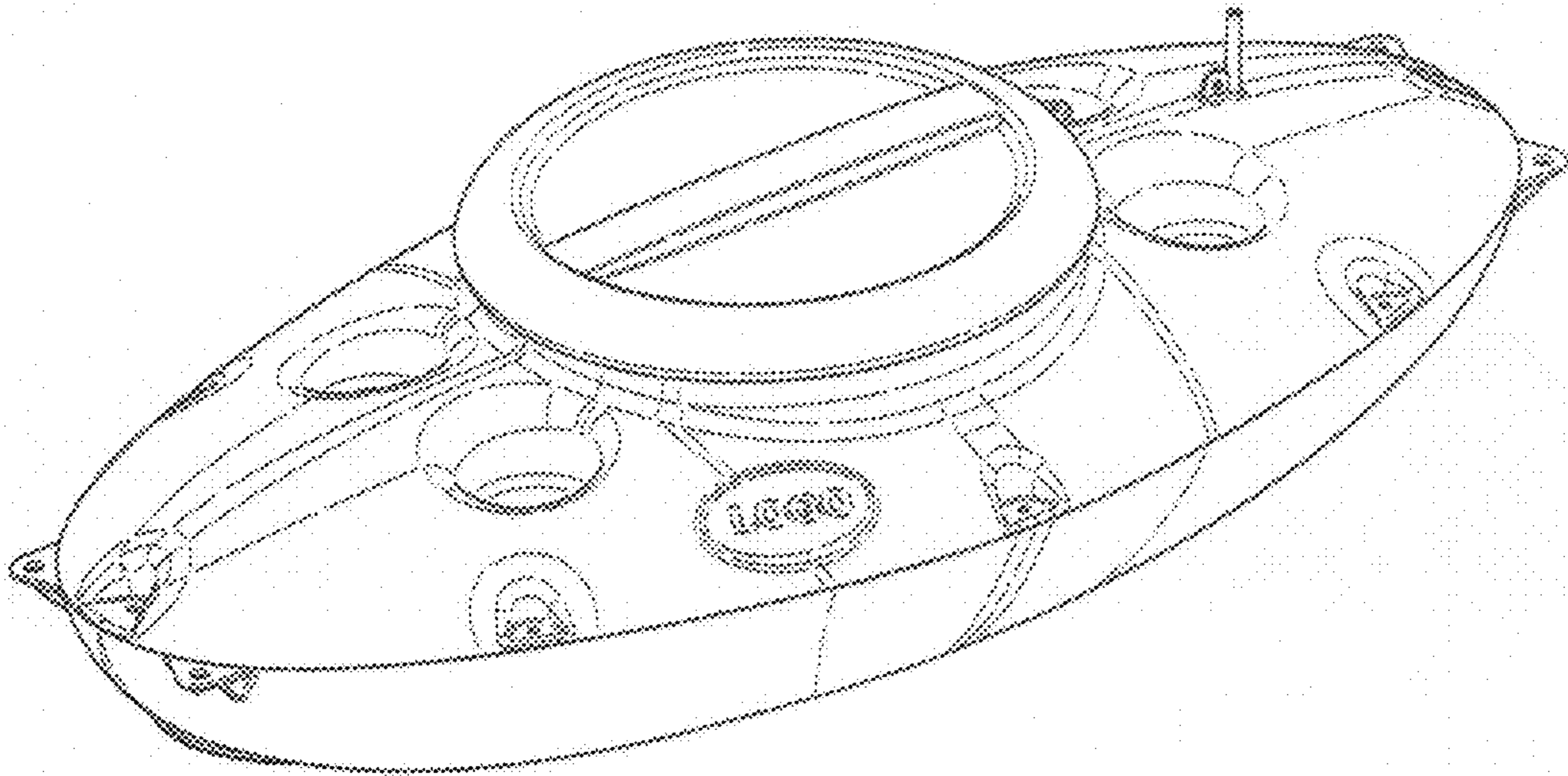


FIG. 1

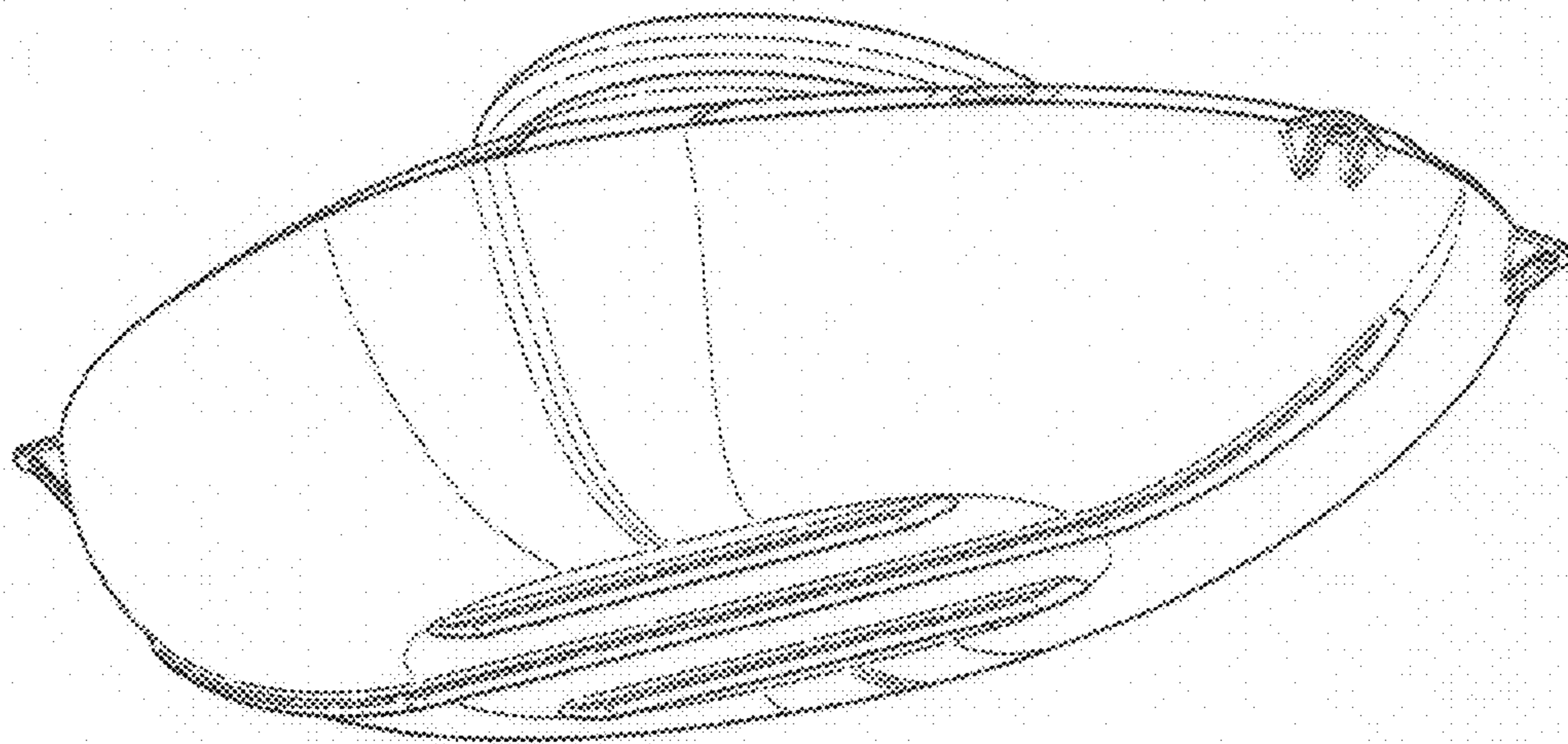


FIG. 2

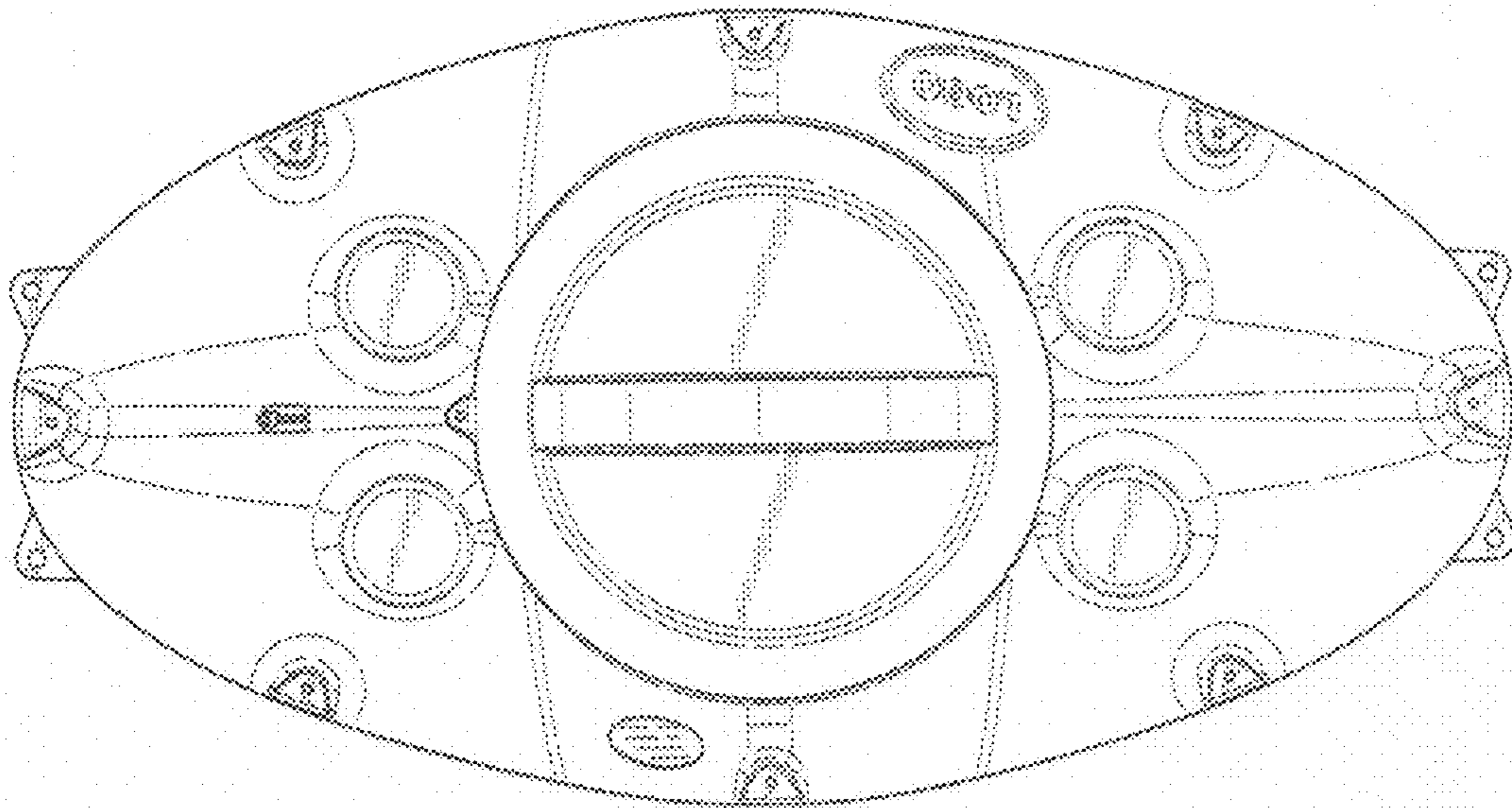


FIG. 3

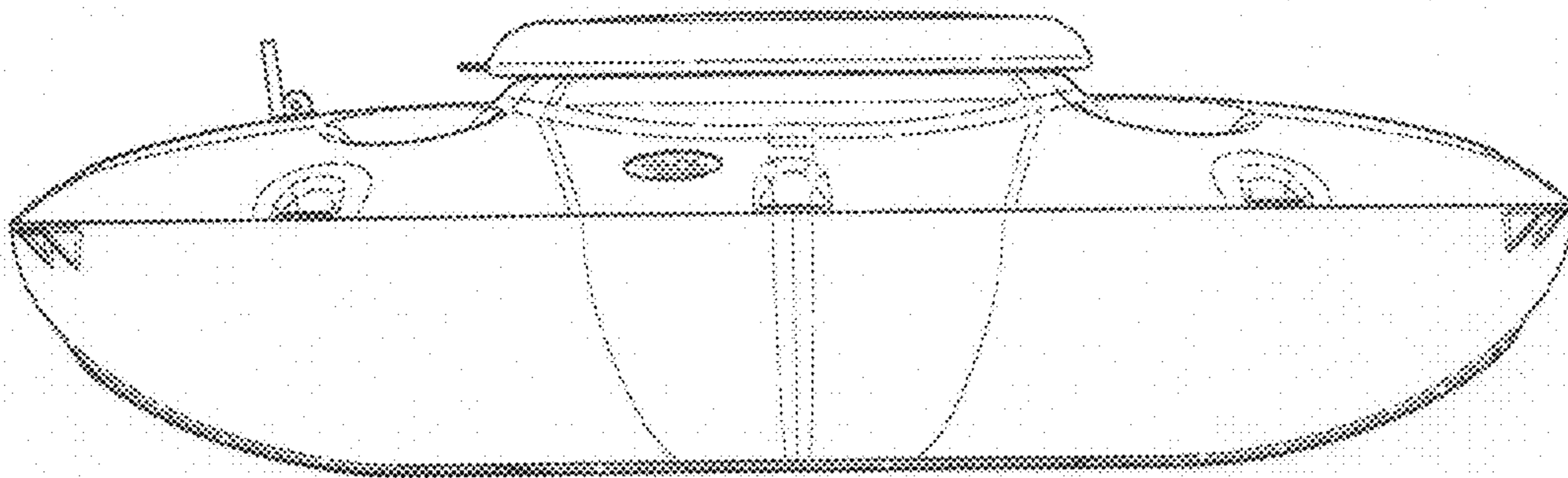


FIG. 4

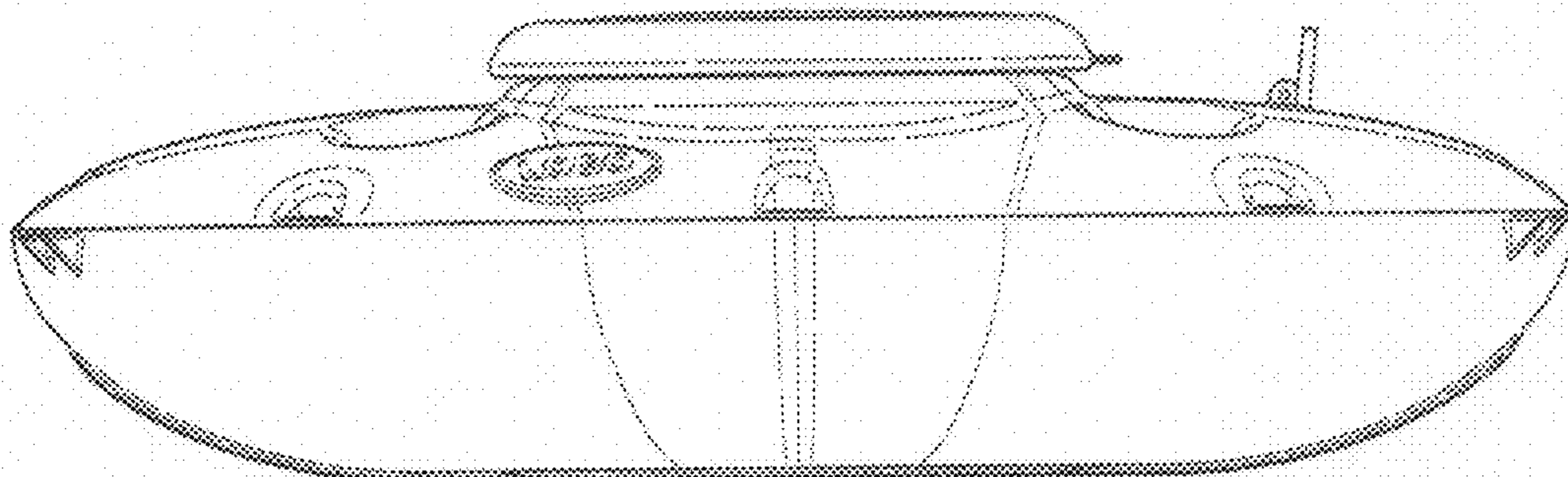


FIG. 5

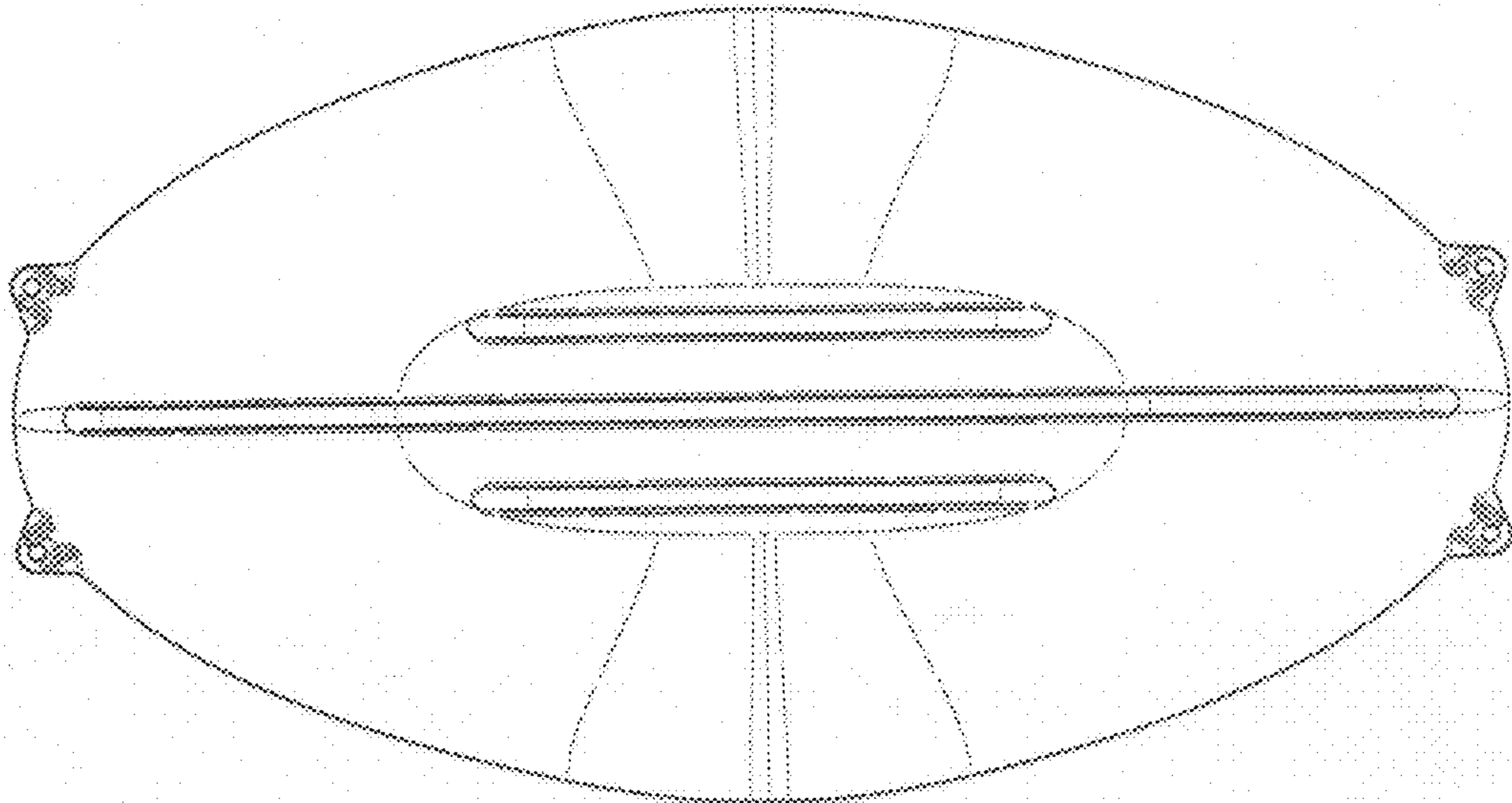


FIG. 6

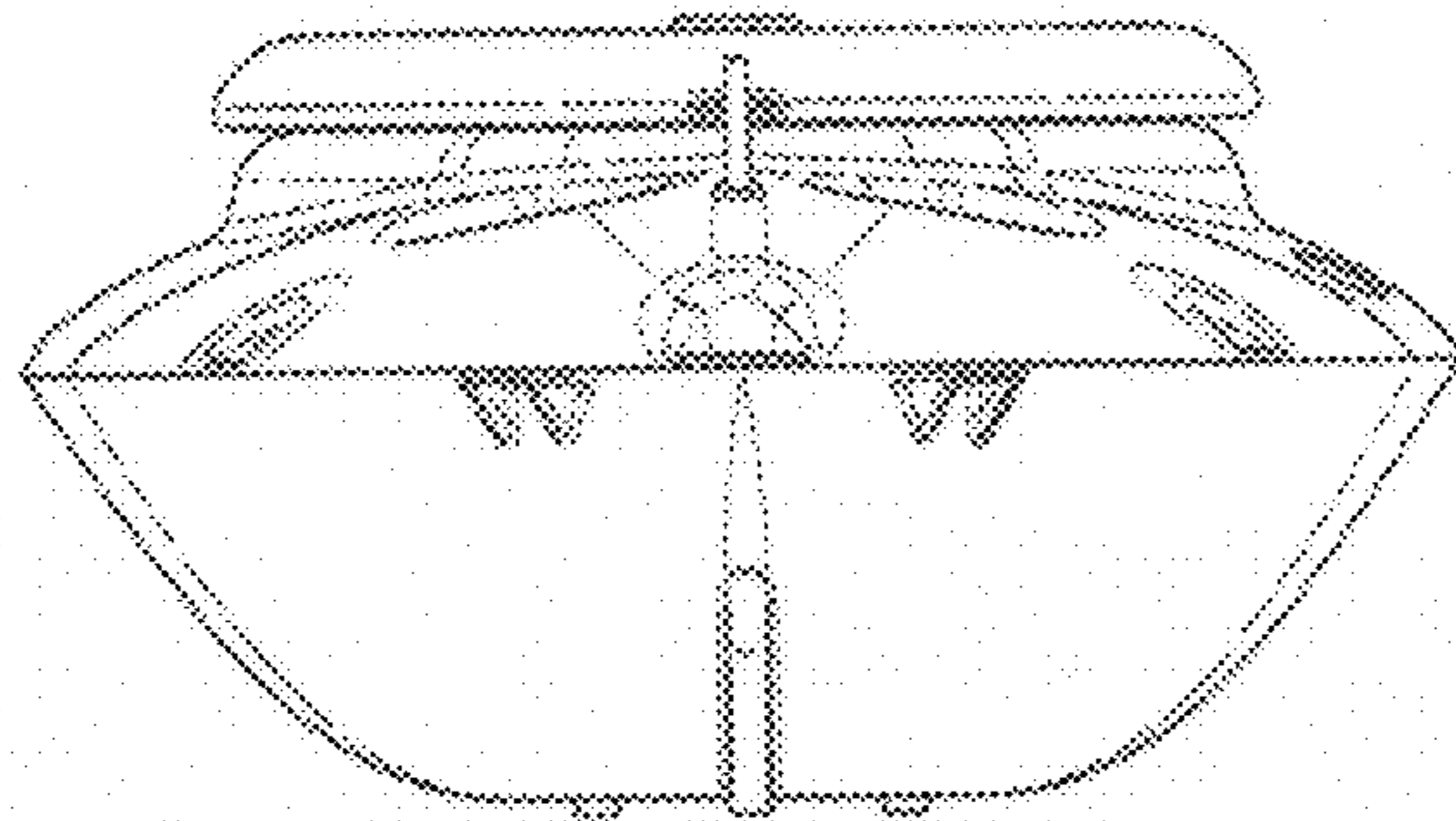


FIG. 7

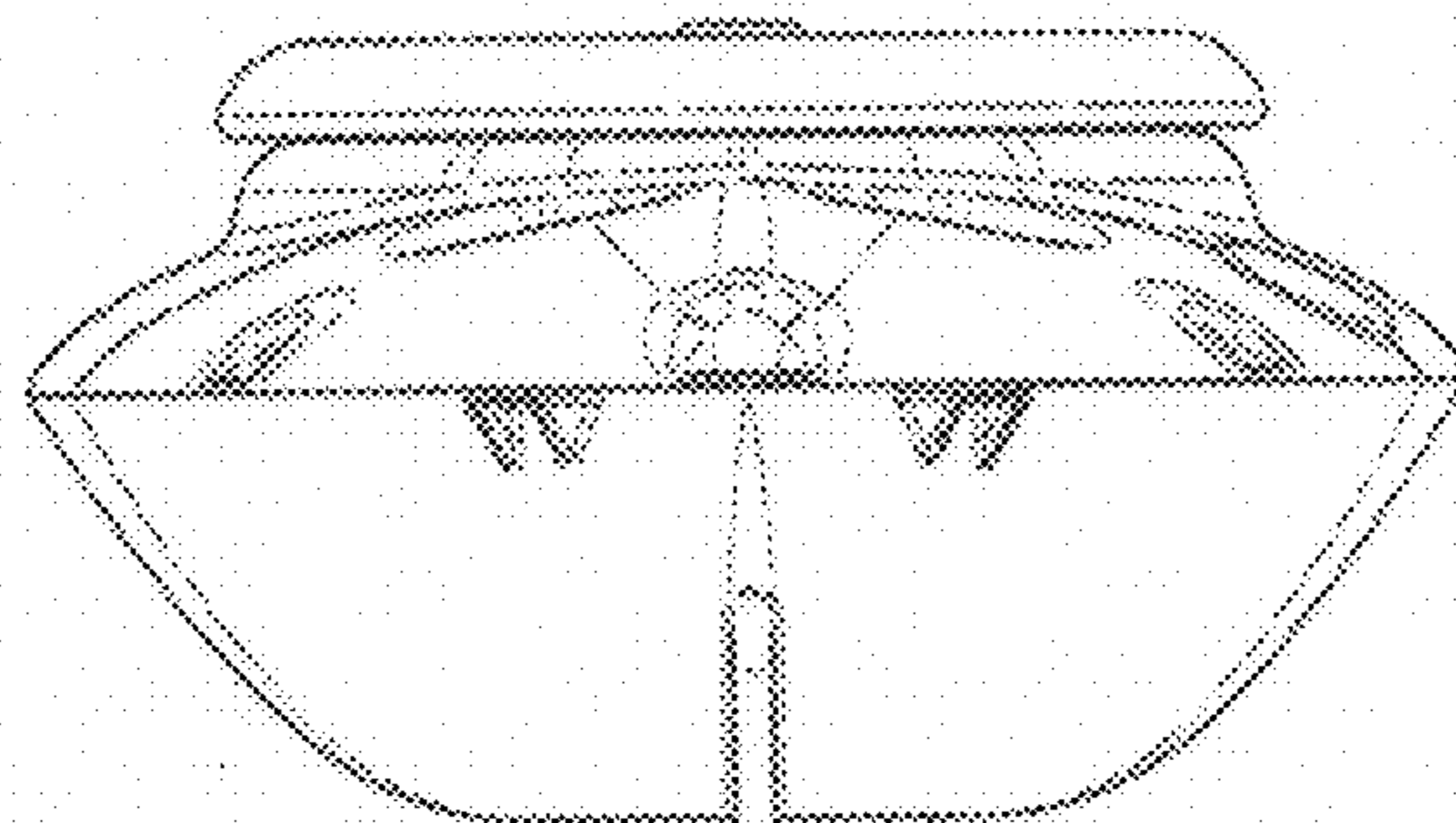


FIG. 8

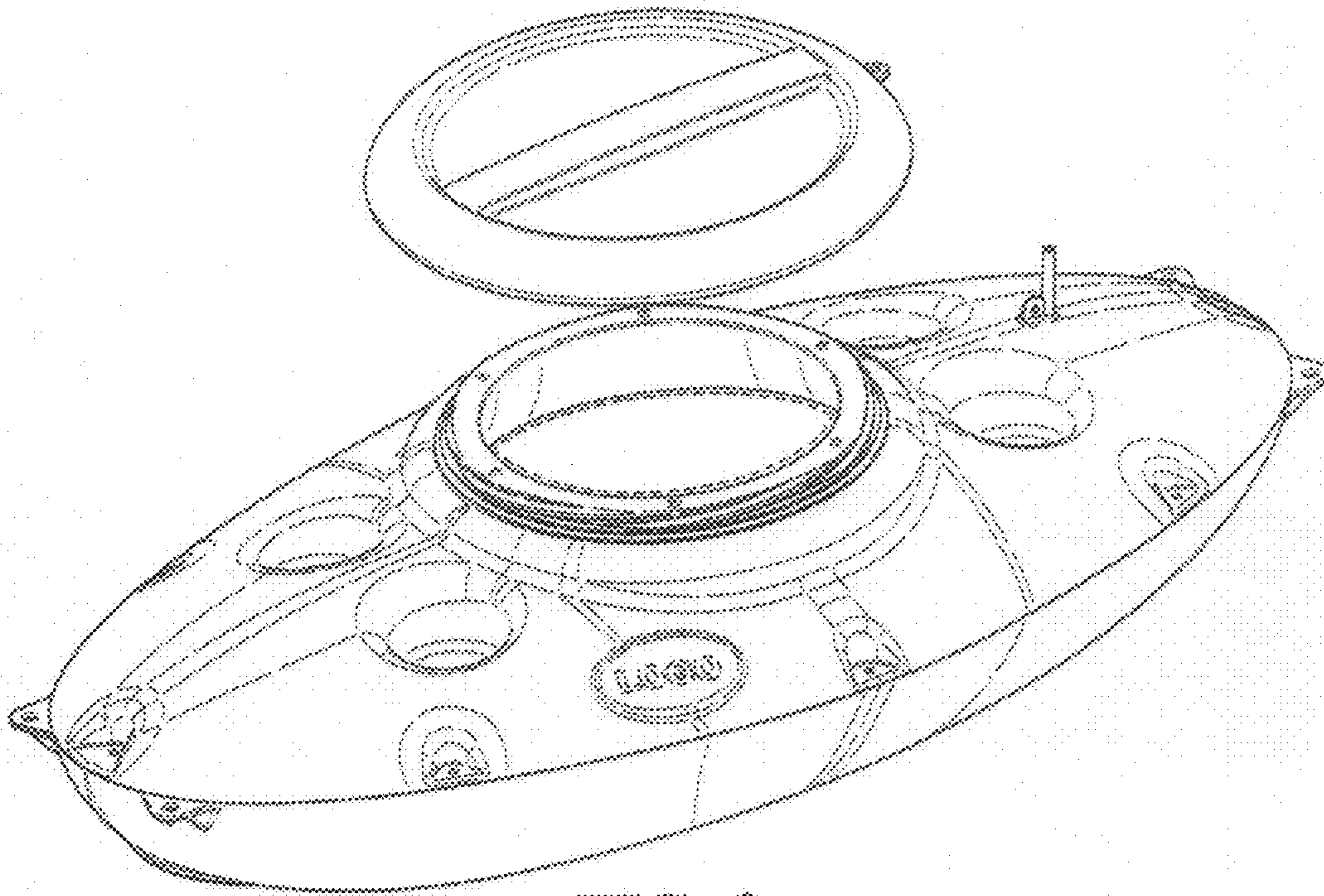


FIG. 9

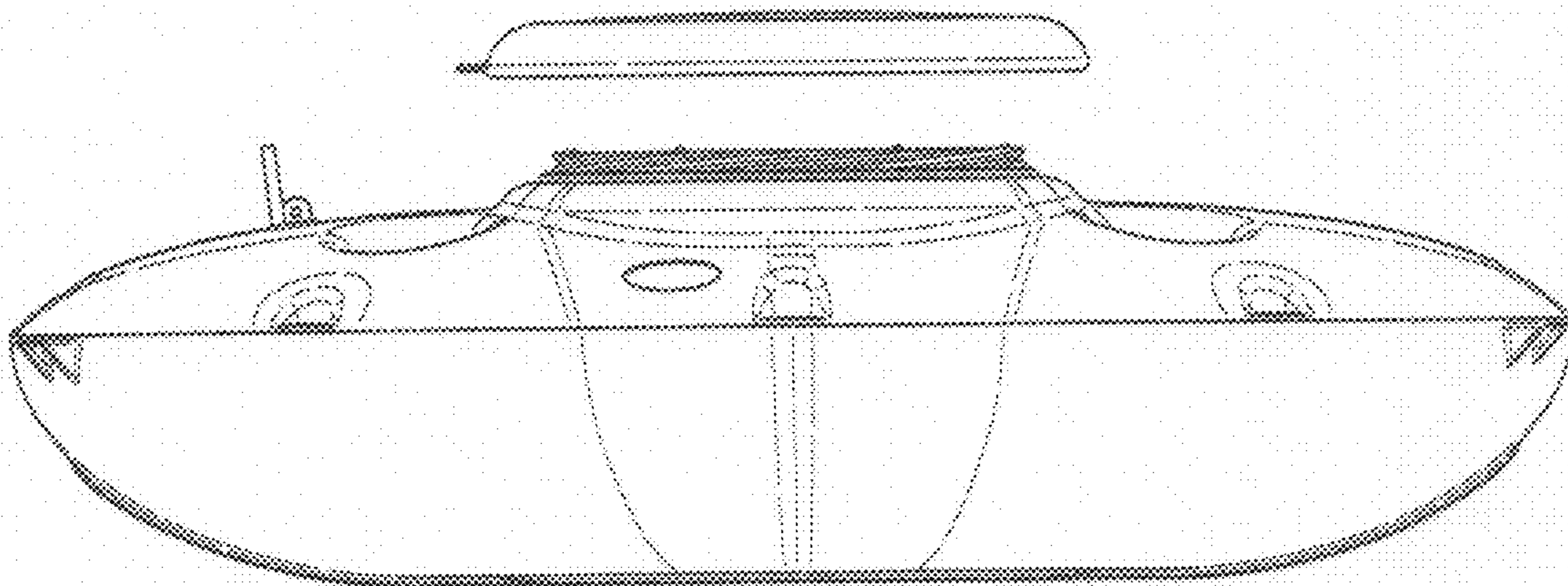


FIG. 10