



US00D813610S

(12) **United States Design Patent**  
**Dekutoski, Jr.**

(10) **Patent No.:** **US D813,610 S**  
(45) **Date of Patent:** **\*\* Mar. 27, 2018**

(54) **TRAY WITH INTERLOCKABLE BOWL**

(71) Applicant: **Thomas E. Dekutoski, Jr.**, Denmark,  
ME (US)

(72) Inventor: **Thomas E. Dekutoski, Jr.**, Denmark,  
ME (US)

(73) Assignee: **Thomas E Dekutoski, Jr.**, Denmark,  
ME (US)

(\*\*) Term: **15 Years**

(21) Appl. No.: **29/505,530**

(22) Filed: **Dec. 8, 2015**

(51) **LOC (11) Cl.** ..... **07-01**

(52) **U.S. Cl.**  
USPC ..... **D7/553.5**

(58) **Field of Classification Search**  
USPC ..... D7/500, 505, 550.1, 553.1, 553.2, 553.4,  
D7/553.5, 601-602; D3/304, 307, 310,  
D3/313, 315, 318-319  
CPC . B65D 1/34; B65D 1/36; B65D 67/00; B65D  
67/02  
See application file for complete search history.

(56) **References Cited**

**U.S. PATENT DOCUMENTS**

D242,515 S	*	11/1976	Shumrak	.....	D7/553.5
D255,527 S	*	6/1980	Seager	.....	D7/549
D300,496 S	*	4/1989	Childress	.....	D12/133
D308,450 S	*	6/1990	Harris	.....	D6/406.6
D335,796 S	*	5/1993	Barnes	.....	D7/553.5
D335,797 S	*	5/1993	DeGrow	.....	D7/553.5
D359,862 S	*	7/1995	Rousch	.....	D12/419
D364,072 S	*	11/1995	Keable	.....	D7/553.5
D399,095 S	*	10/1998	Schmidt	.....	D7/553.2
D545,523 S	*	6/2007	Goldberg	.....	D34/11

D576,449 S	*	9/2008	Boudewijns	.....	D7/553.1
D604,099 S	*	11/2009	Mishan	.....	D7/409
D608,150 S	*	1/2010	Lilly	.....	D7/552.1
D623,902 S	*	9/2010	Henderson	.....	D7/553.2
D653,083 S	*	1/2012	Hatcher	.....	D7/553.5
D728,941 S	*	5/2015	Stoekmann	.....	D3/313
D766,664 S	*	9/2016	Wilson	.....	D7/553.2
D771,384 S	*	11/2016	Aldredge	.....	D3/313
D783,285 S	*	4/2017	Hecht	.....	D3/304

\* cited by examiner

*Primary Examiner* — Kelley Donnelly

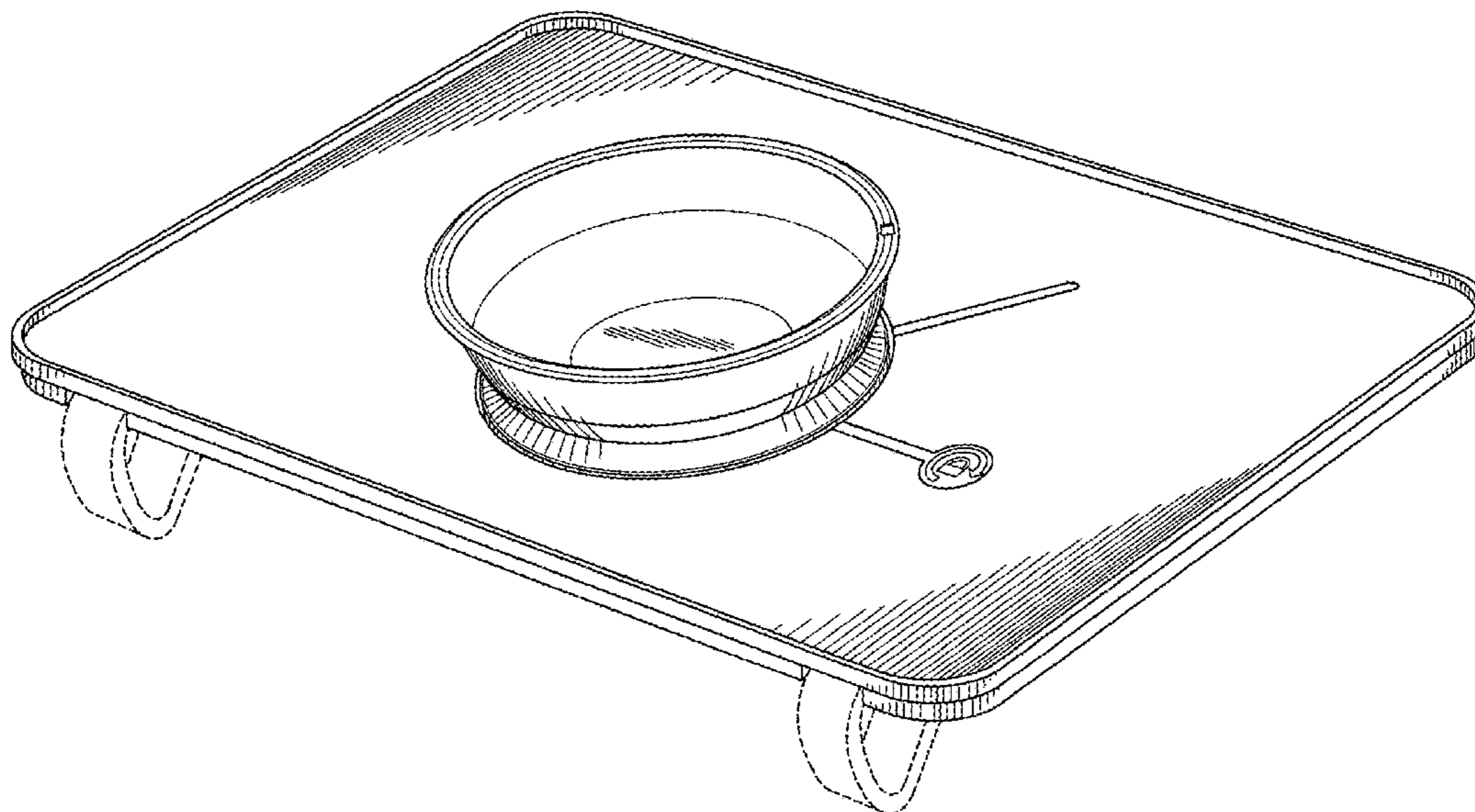
(57) **CLAIM**

The ornamental design for a tray with interlockable bowl, as shown and described.

**DESCRIPTION**

FIG. 1 is a top perspective view of a tray with an interlocking bowl as shown;  
FIG. 2 is a top plan view thereof;  
FIG. 3 is a left side elevational view thereof: the right side elevational view would be a mirror image thereof;  
FIG. 4 is a front elevational view thereof;  
FIG. 5 is a rear elevational view thereof;  
FIG. 6 is a top perspective view thereof, showing the bowl separated from the tray;  
FIG. 7 is a top plan view thereof;  
FIG. 8 is a front elevational view thereof;  
FIG. 9 is a rear elevational view thereof;  
FIG. 10 is a left side elevational view thereof;  
FIG. 11 is a right side elevational view thereof;  
FIG. 12 is a bottom plan view; and,  
FIG. 13 is a bottom perspective view thereof.  
The broken lines depict environmental subject matter only and form no part of the claimed design.

**1 Claim, 7 Drawing Sheets**



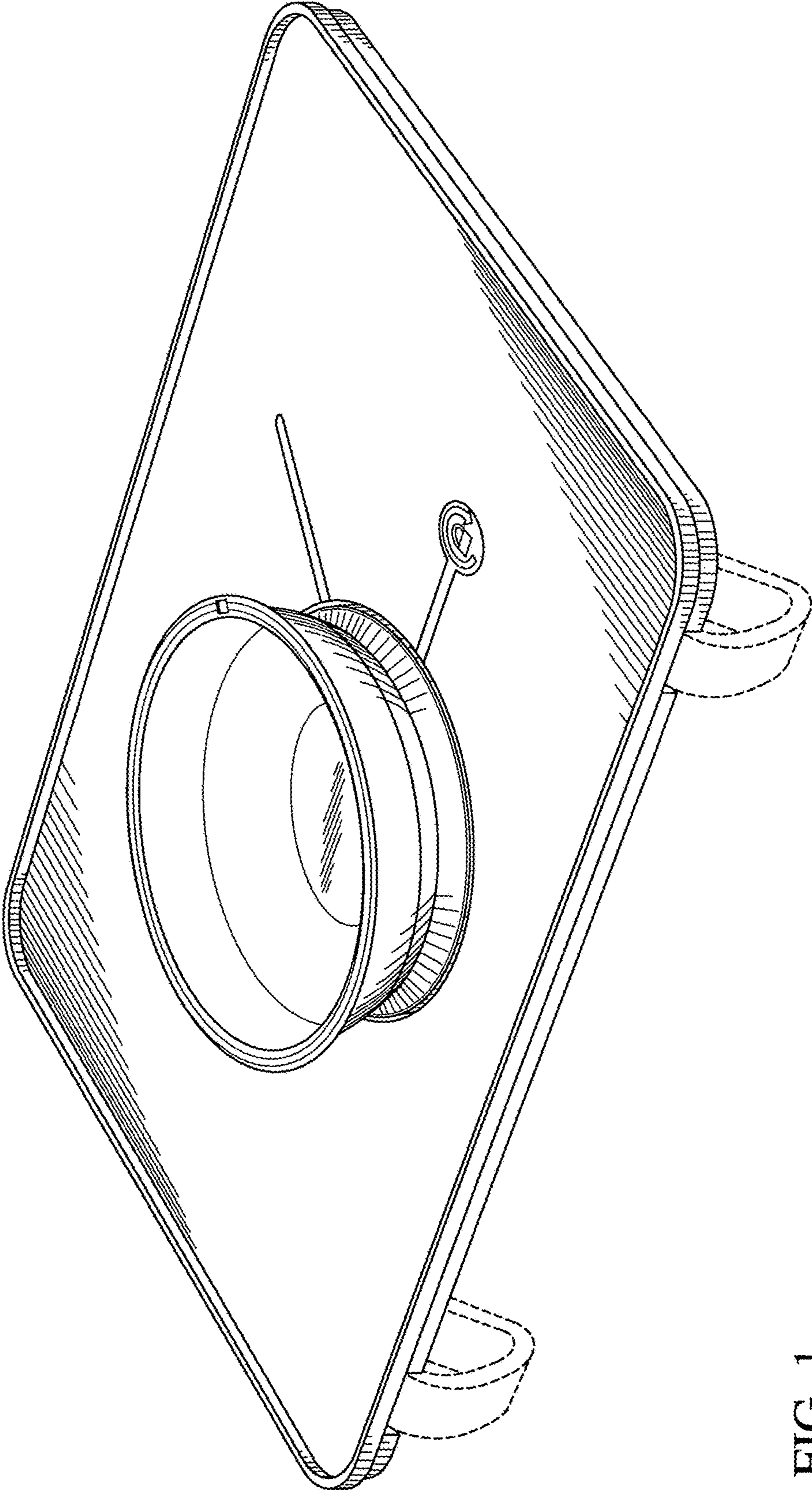


FIG. 1

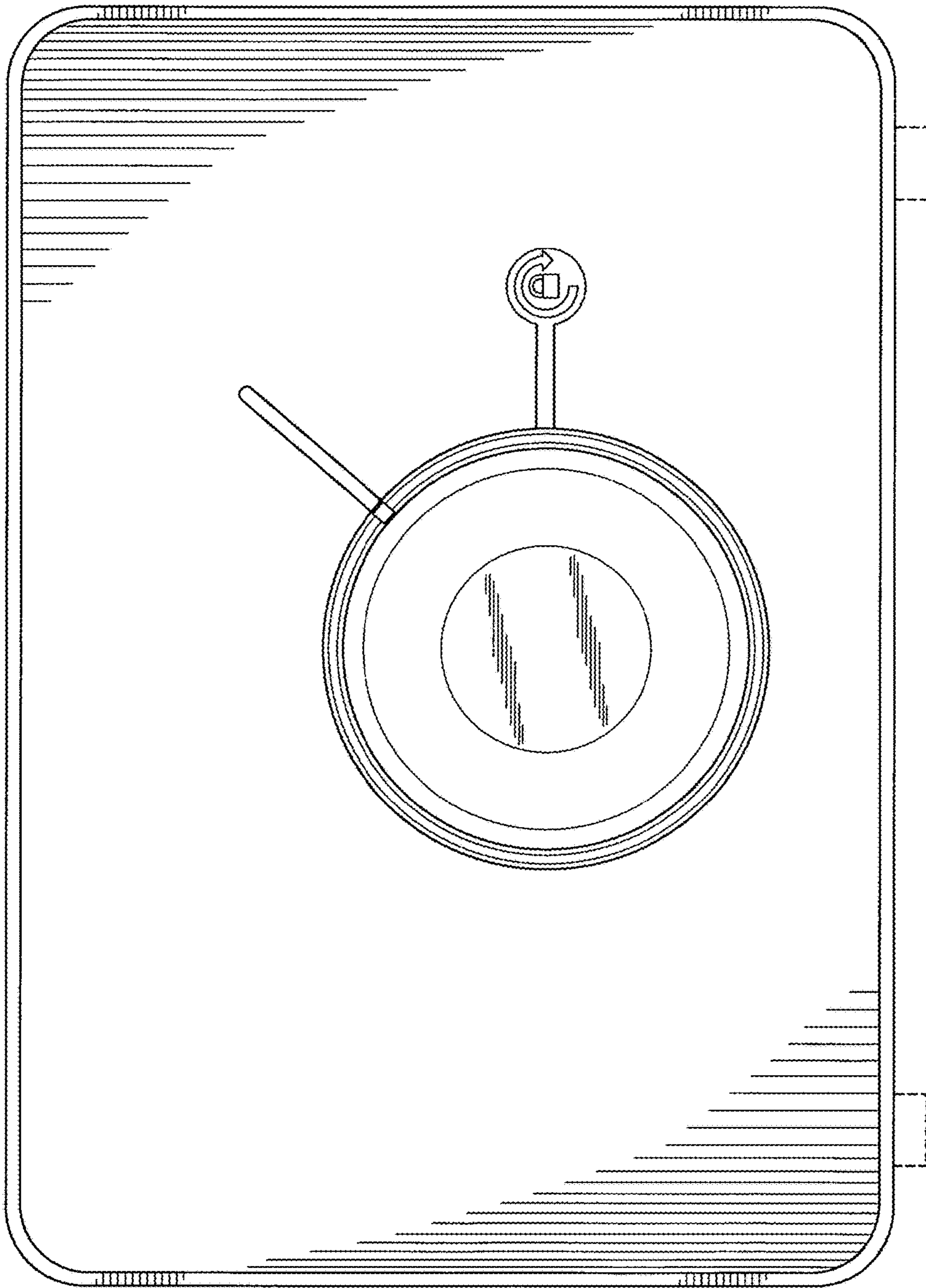
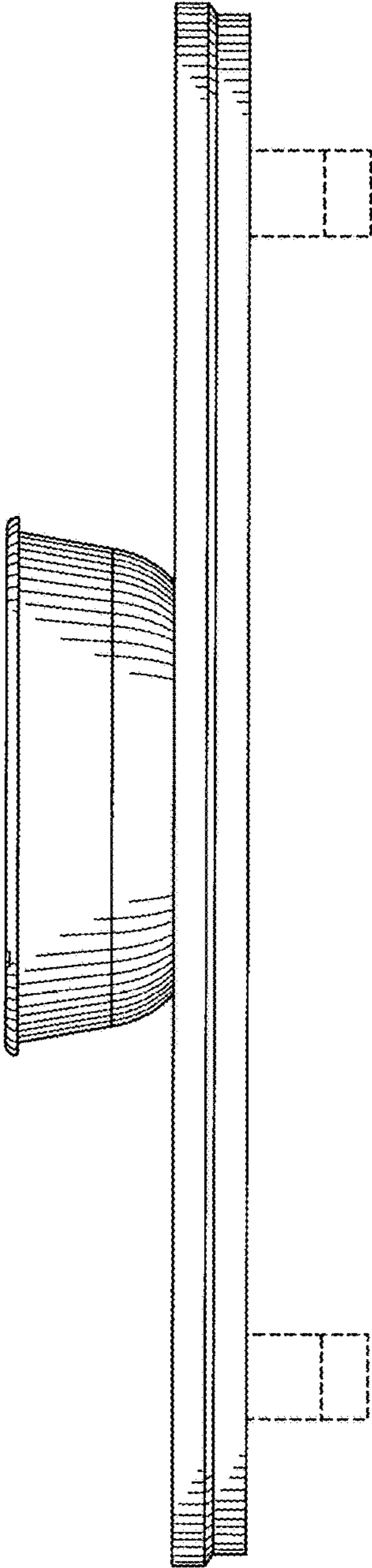
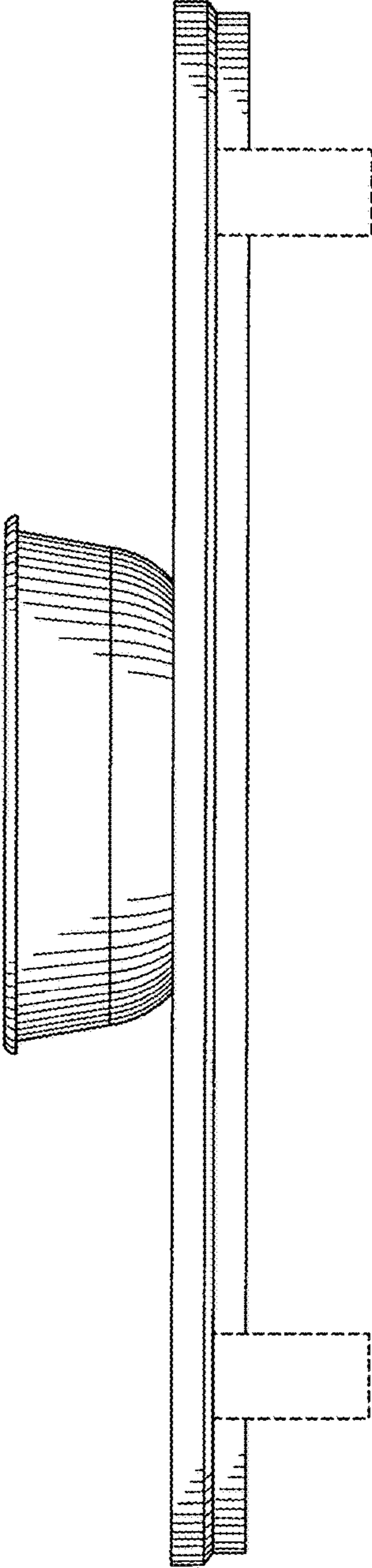
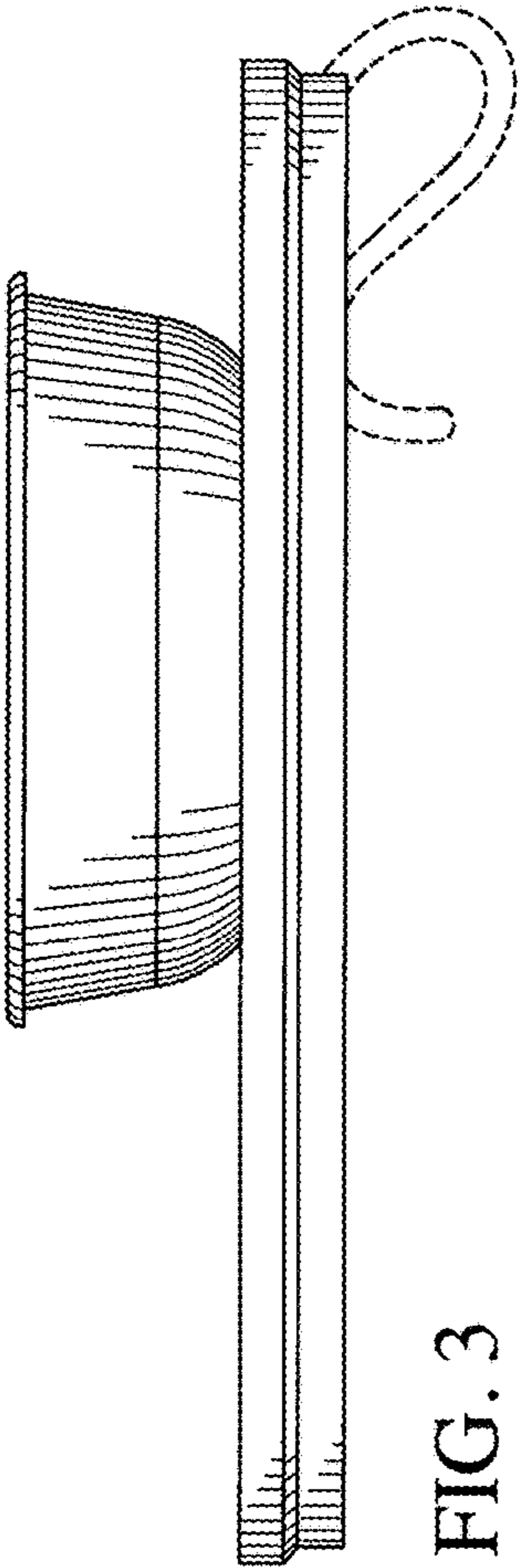


FIG. 2



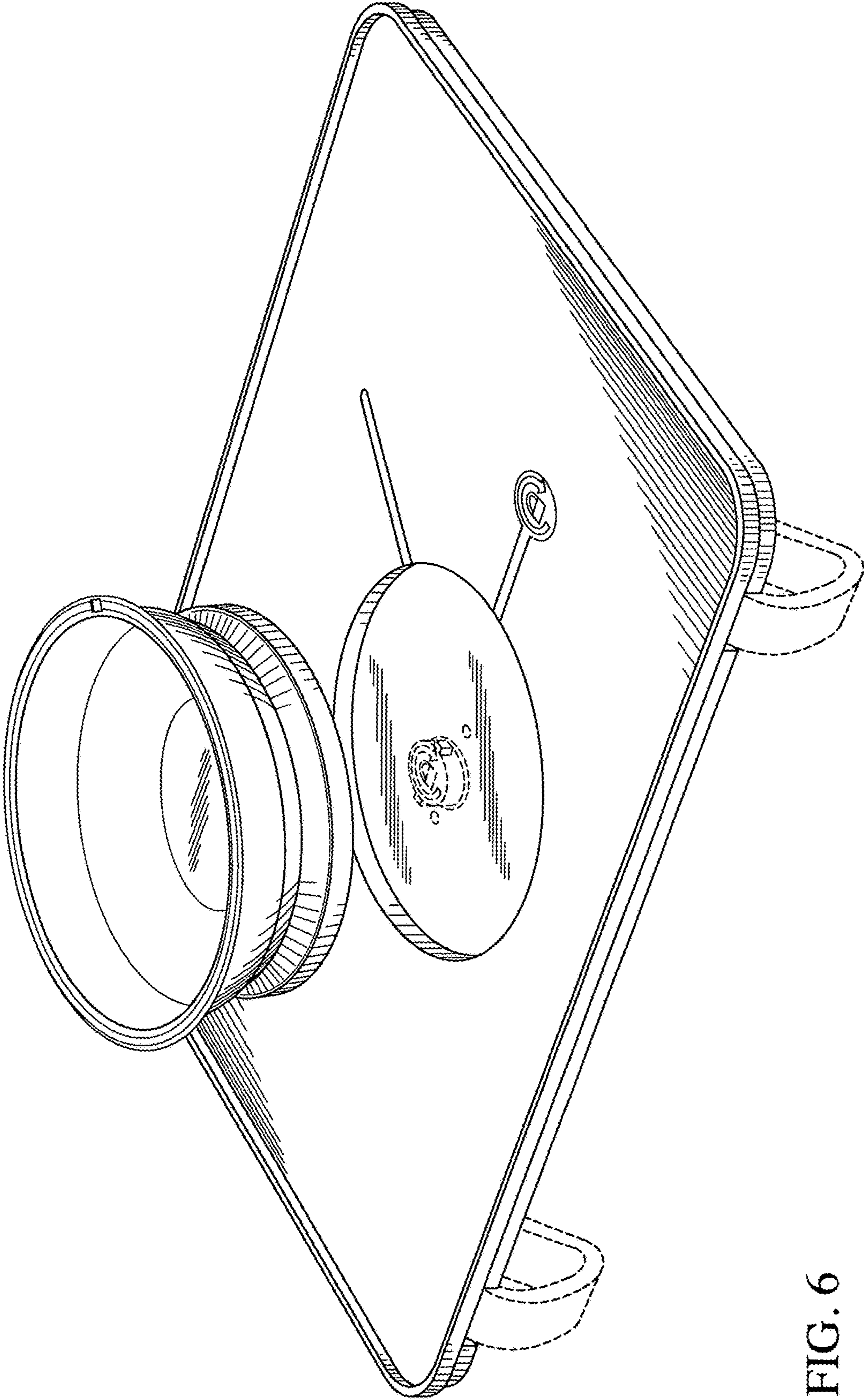


FIG. 6

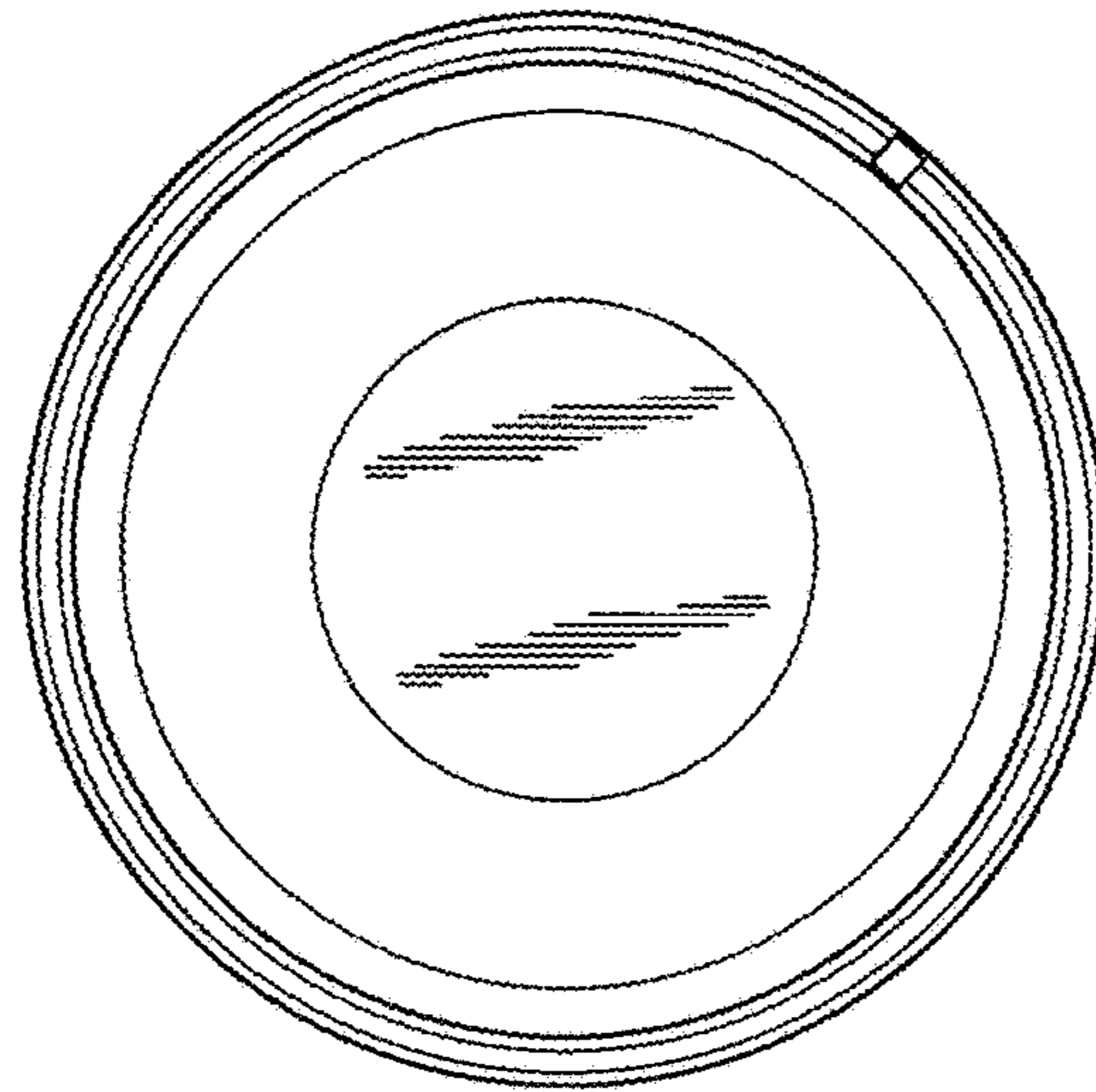


FIG. 7

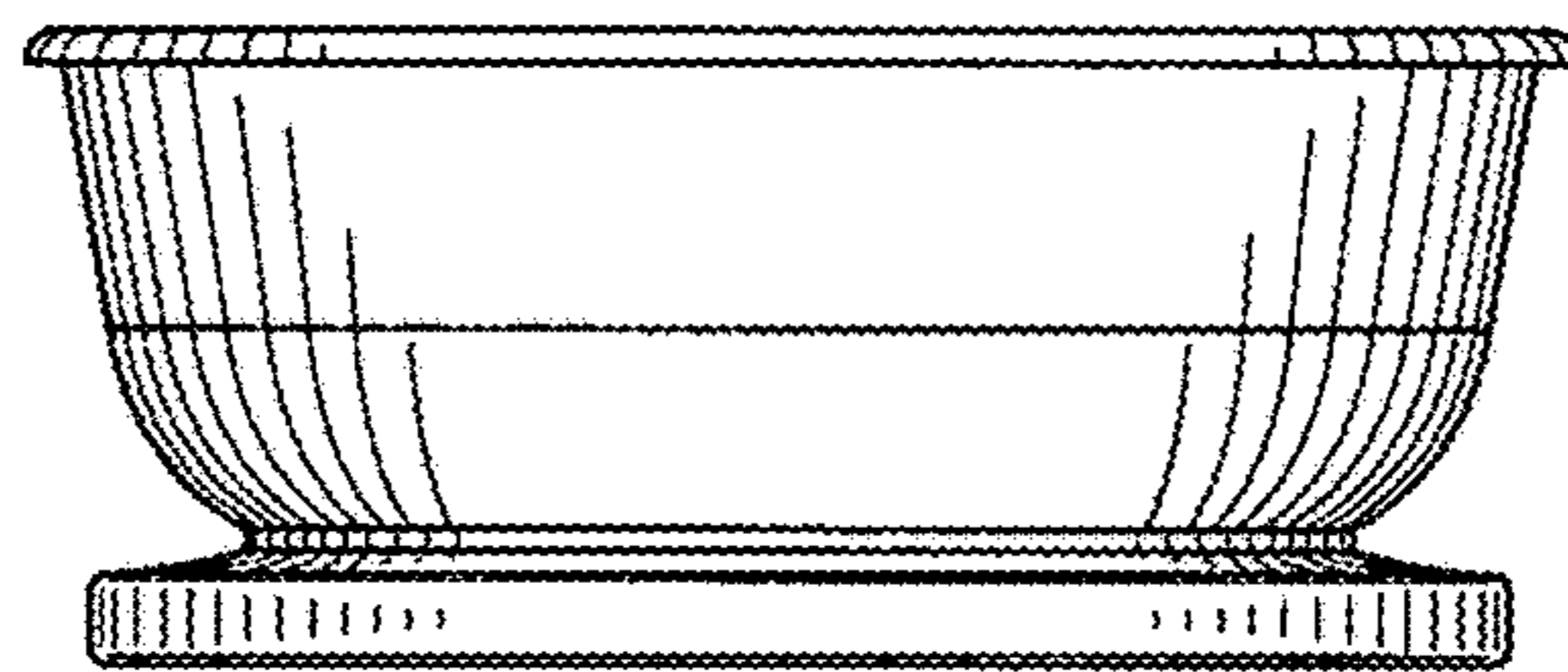


FIG. 8

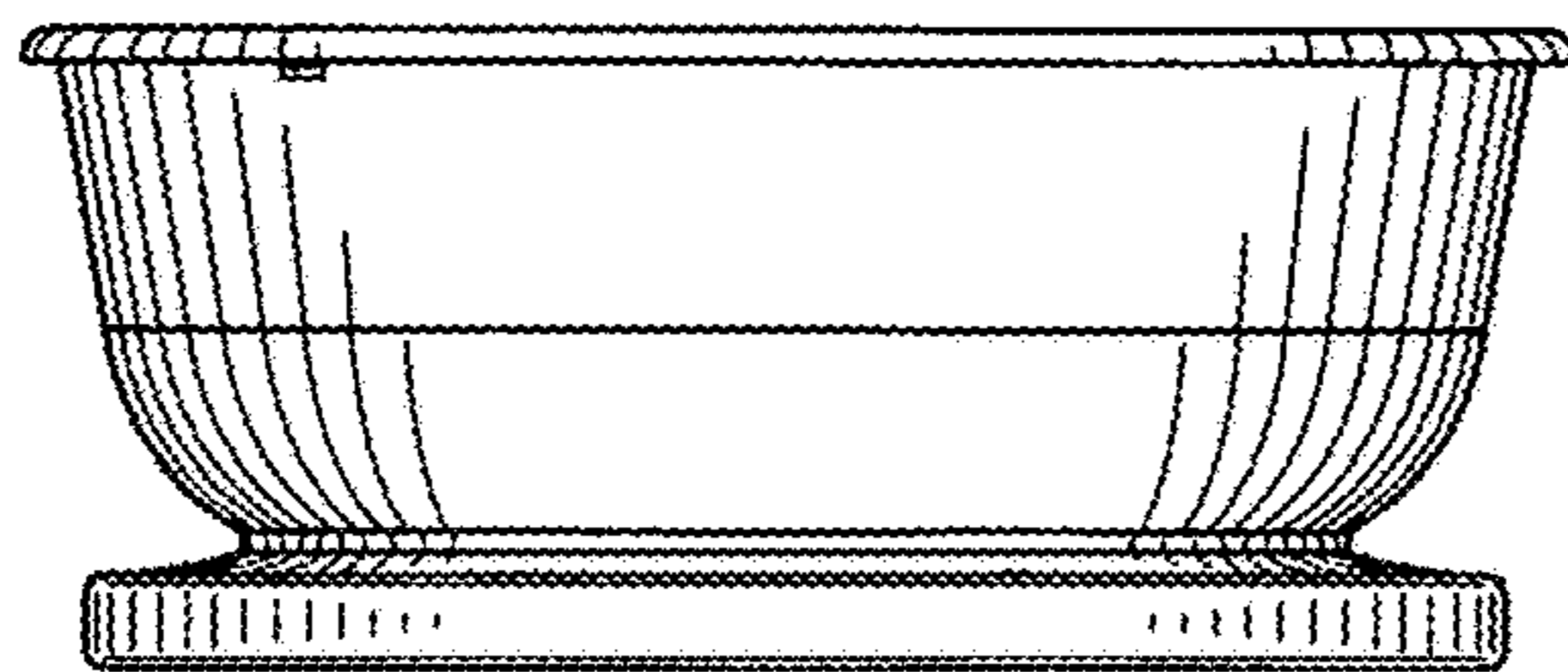


FIG. 9

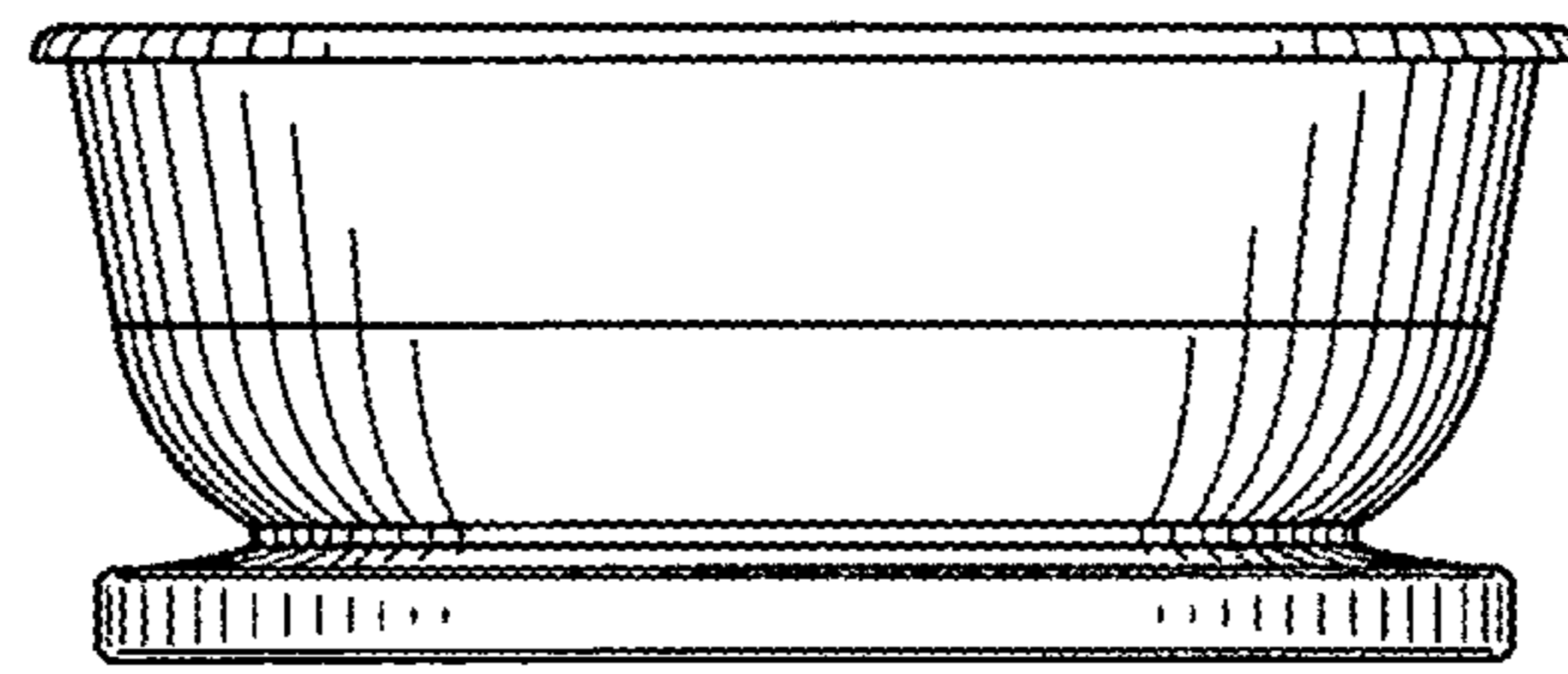


FIG. 10

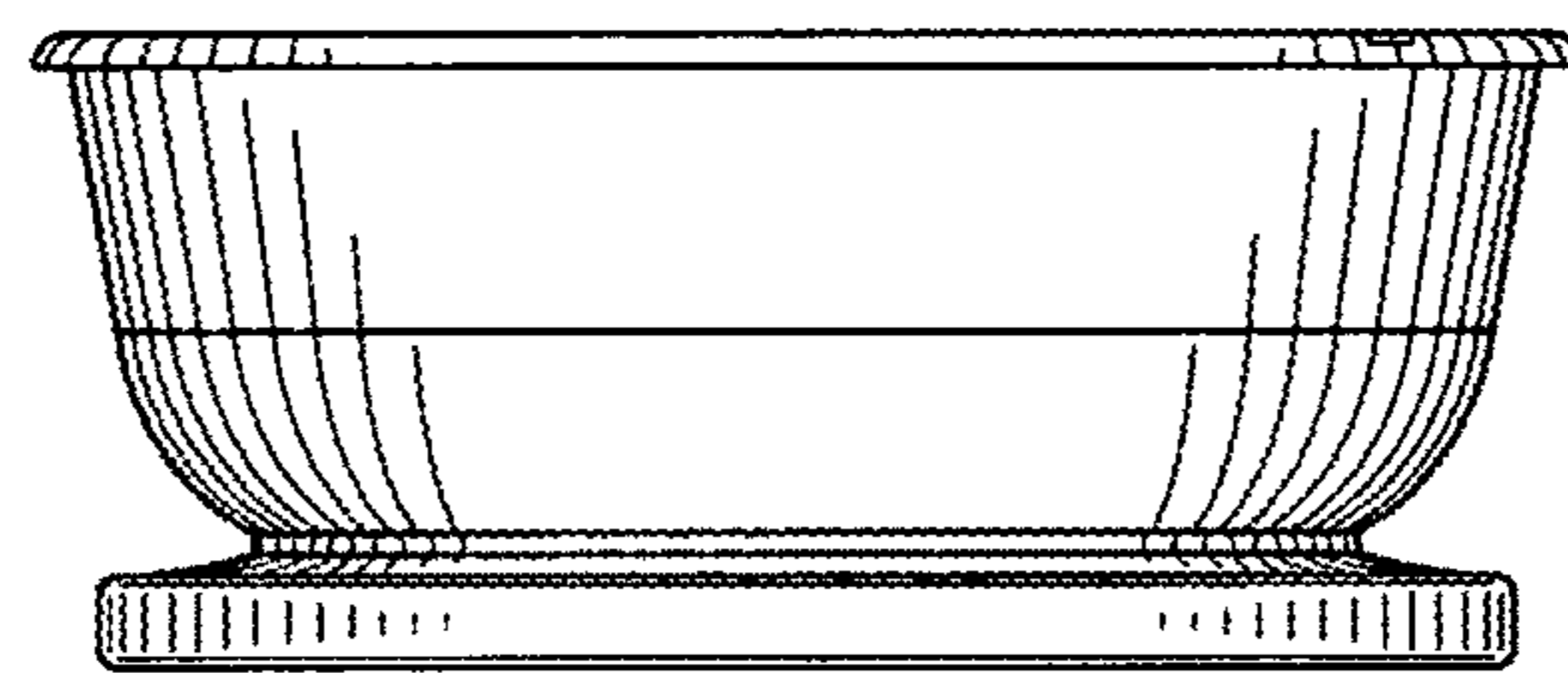


FIG. 11

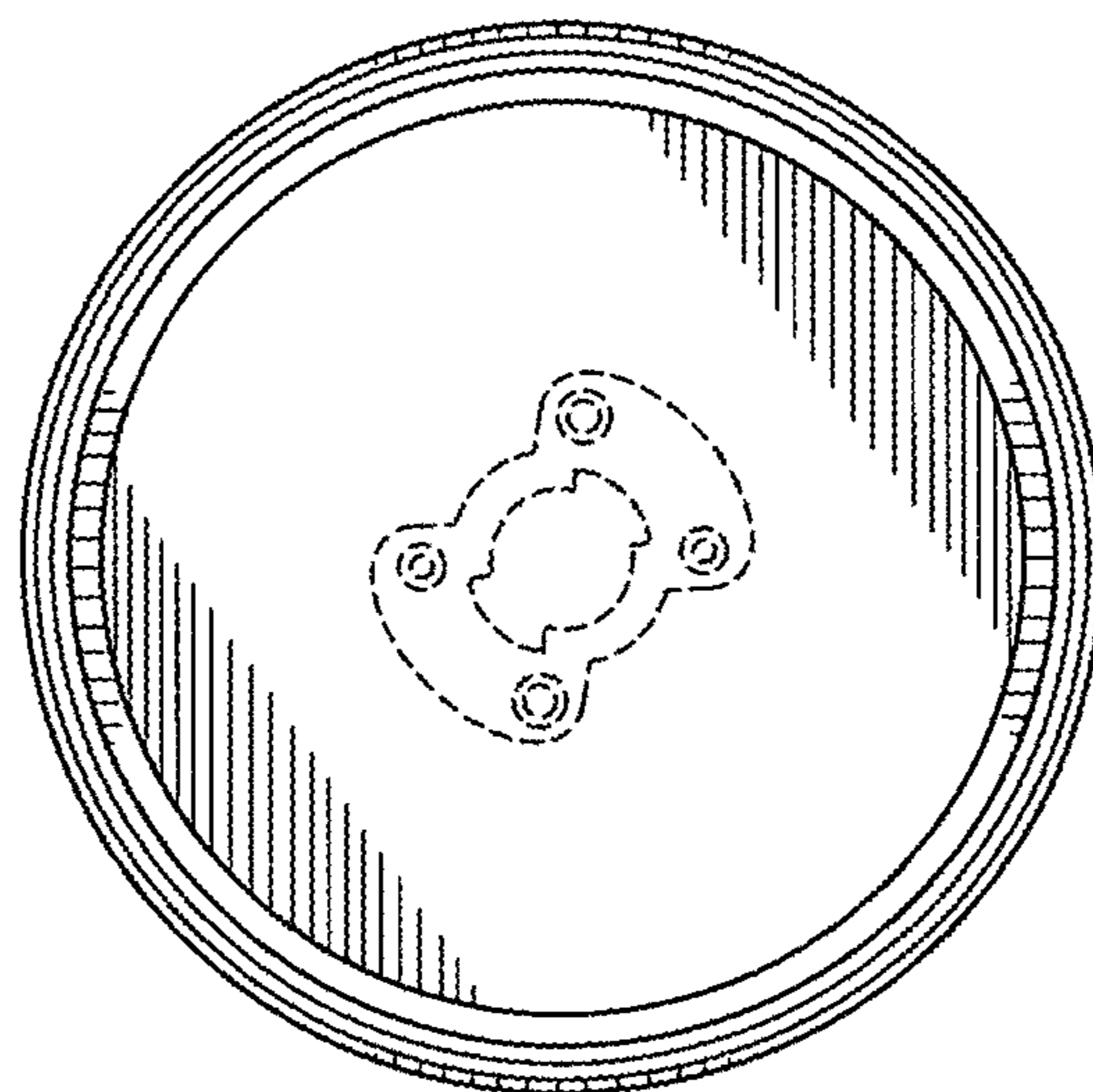


FIG. 12

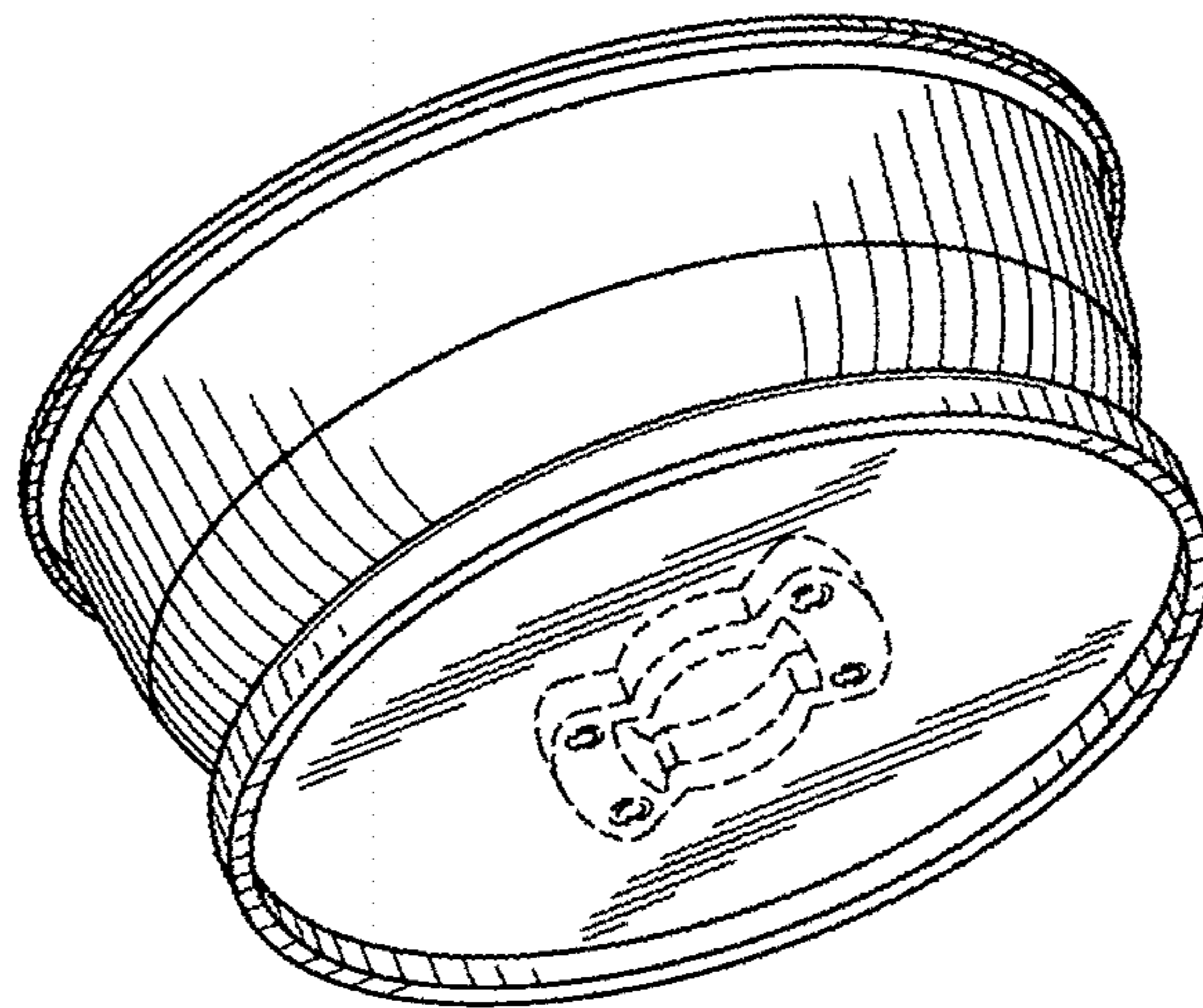


FIG. 13