



US00D813608S

(12) **United States Design Patent**
Spivey et al.

(10) **Patent No.:** **US D813,608 S**
(45) **Date of Patent:** **** Mar. 27, 2018**

(54) **MUG FOR LIQUIDS**

(71) Applicant: **Base Brands, LLC**, Atlanta, GA (US)

(72) Inventors: **Patrick Spivey**, Atlanta, GA (US);
Kenneth Kreaflle, Atlanta, GA (US)

(73) Assignee: **Base Brands, LLC**, Atlanta, GA (US)

(**) Term: **15 Years**

(21) Appl. No.: **29/576,830**

(22) Filed: **Sep. 7, 2016**

(51) **LOC (11) Cl.** **07-01**

(52) **U.S. Cl.**
USPC **D7/536; D7/533**

(58) **Field of Classification Search**
USPC D7/505, 507-511, 523, 531-536, 504,
D7/515, 625, 622, 300.1; D9/504, 778;
220/713
CPC A47G 19/22
See application file for complete search history.

(56) **References Cited**

U.S. PATENT DOCUMENTS

2,304,214 A	12/1942	Straub	
4,040,549 A *	8/1977	Sadler B60N 3/103 215/376
D295,831 S	5/1988	Urion	
5,294,014 A *	3/1994	Wyatt B65D 47/265 220/253
5,653,124 A *	8/1997	Weber A47G 19/2288 62/457.3
D386,948 S	12/1997	Wissinger	

(Continued)

OTHER PUBLICATIONS

Reduce Everyday. Core Mug 12 oz. Aug. 19, 2014 [earliest online date], [site visited May 19, 2017]. Available from Internet, <URL:https://reduceeveryday.com/products/core-mug-12oz>.

Primary Examiner — Daniel D Bui
Assistant Examiner — Andrew Kerr
(74) *Attorney, Agent, or Firm* — Park, Vaughan, Fleming & Dowler LLP

(57) **CLAIM**

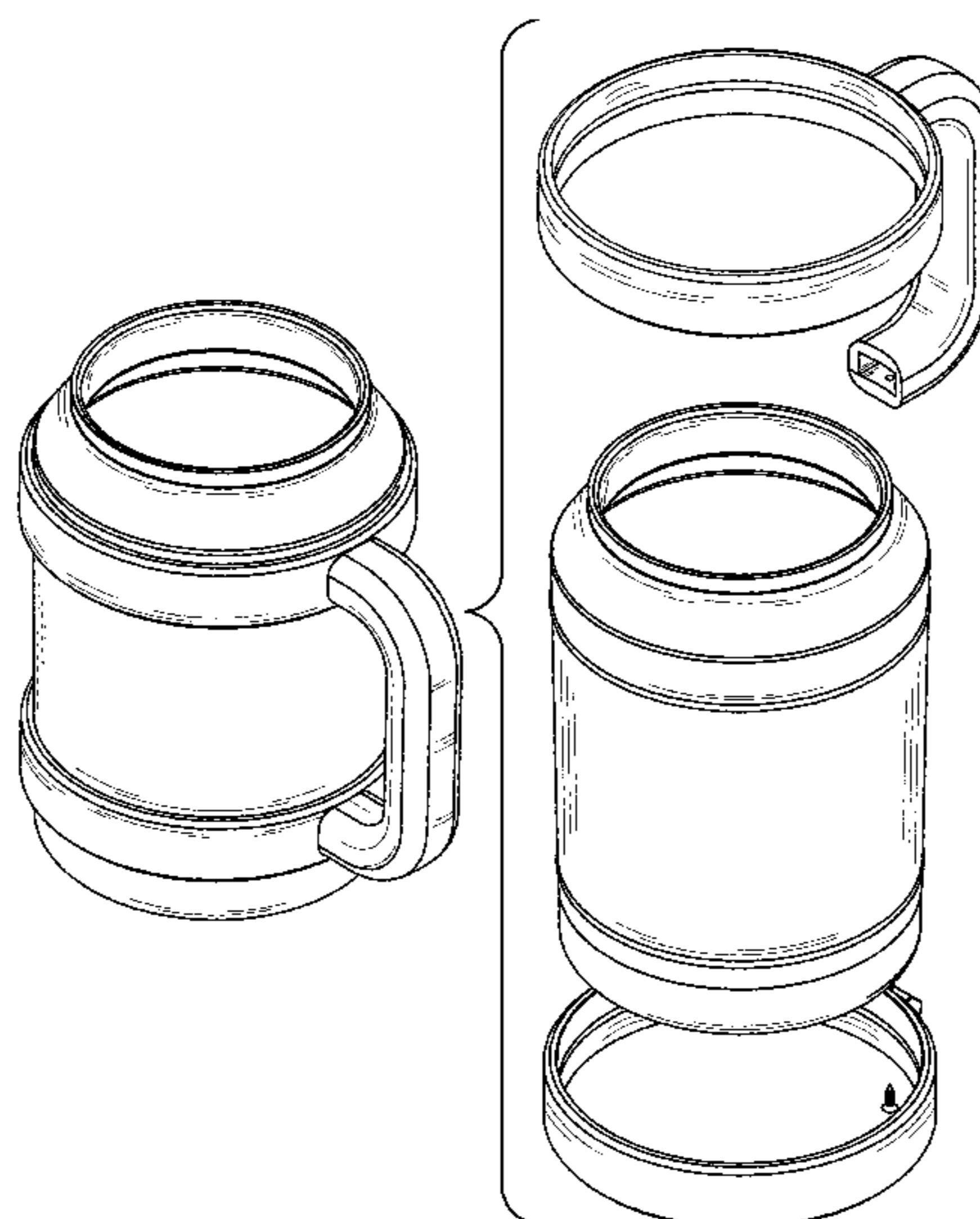
The ornamental design of a mug for liquids, as shown and described.

DESCRIPTION

FIG. 1 is a top perspective view of a first embodiment of a mug for liquids, showing my new design; FIG. 2 is a bottom perspective view thereof; FIG. 3 is a top view thereof; FIG. 4 is a bottom view thereof; FIG. 5 is a front view thereof; FIG. 6 is a back view thereof; FIG. 7 is a left side view thereof; FIG. 8 is a right side view thereof; FIG. 9 is a top perspective exploded view thereof; FIG. 10 is a bottom perspective exploded view thereof; FIG. 11 is a front exploded view thereof; FIG. 12 is a top perspective view of a second embodiment of a mug for liquids, showing my new design; FIG. 13 is a bottom perspective view thereof; FIG. 14 is a top view thereof; FIG. 15 is a bottom view thereof; FIG. 16 is a front view thereof; FIG. 17 is a back view thereof; FIG. 18 is a left side view thereof; FIG. 19 is a right side view thereof; FIG. 20 is a top perspective exploded view thereof; FIG. 21 is a bottom perspective exploded view thereof; and, FIG. 22 is a front exploded view thereof.

The broken lines in the drawing views represent unclaimed portions of a mug for liquids, which are include for the purpose of illustrating unclaimed environment only, and form no part of the claimed design.

1 Claim, 14 Drawing Sheets



(56)

References Cited

U.S. PATENT DOCUMENTS

D398,187 S 9/1998 Parker
 6,098,834 A 8/2000 Hatsumoto
 D481,591 S 11/2003 Lin
 D493,068 S 7/2004 Slater
 D539,609 S 4/2007 Ying
 D565,901 S 4/2008 Edelstein
 D577,548 S 9/2008 Homma
 D584,106 S 1/2009 Wong
 D589,747 S 4/2009 Wong
 D591,103 S 4/2009 Wong
 D596,500 S 7/2009 Diss
 D600,071 S 9/2009 Carreno
 D600,073 S 9/2009 Carreno
 D625,951 S 10/2010 Baek
 D688,092 S * 8/2013 Arnold D7/392
 D691,416 S 10/2013 Eyal
 D696,940 S 1/2014 Hale
 D698,244 S 1/2014 Lin
 D699,516 S 2/2014 Kim
 D713,686 S 9/2014 Eyal

D714,644 S 10/2014 Wagner
 D715,100 S 10/2014 Eyal
 D719,023 S 12/2014 Hu
 8,899,440 B2 * 12/2014 Arnold B65D 25/2885
 220/253
 D721,535 S 1/2015 Chapman
 D724,894 S 3/2015 Brosius
 D731,251 S 6/2015 Lane
 D747,199 S 1/2016 Phillips
 D747,649 S 1/2016 Phillips
 D751,338 S 3/2016 Seiders
 D751,339 S 3/2016 Seiders
 D751,340 S 3/2016 Seiders
 D751,341 S 3/2016 Seiders
 D753,442 S 4/2016 Weernink
 D774,826 S 12/2016 Boroski
 D776,564 S 1/2017 Seth-Andersson
 D787,939 S 5/2017 Lam
 D790,624 S 6/2017 Matsushita
 D798,110 S 6/2017 Valenti
 D802,365 S 11/2017 Yao
 D803,064 S 11/2017 Marina
 2010/0200602 A1 8/2010 Chan

* cited by examiner

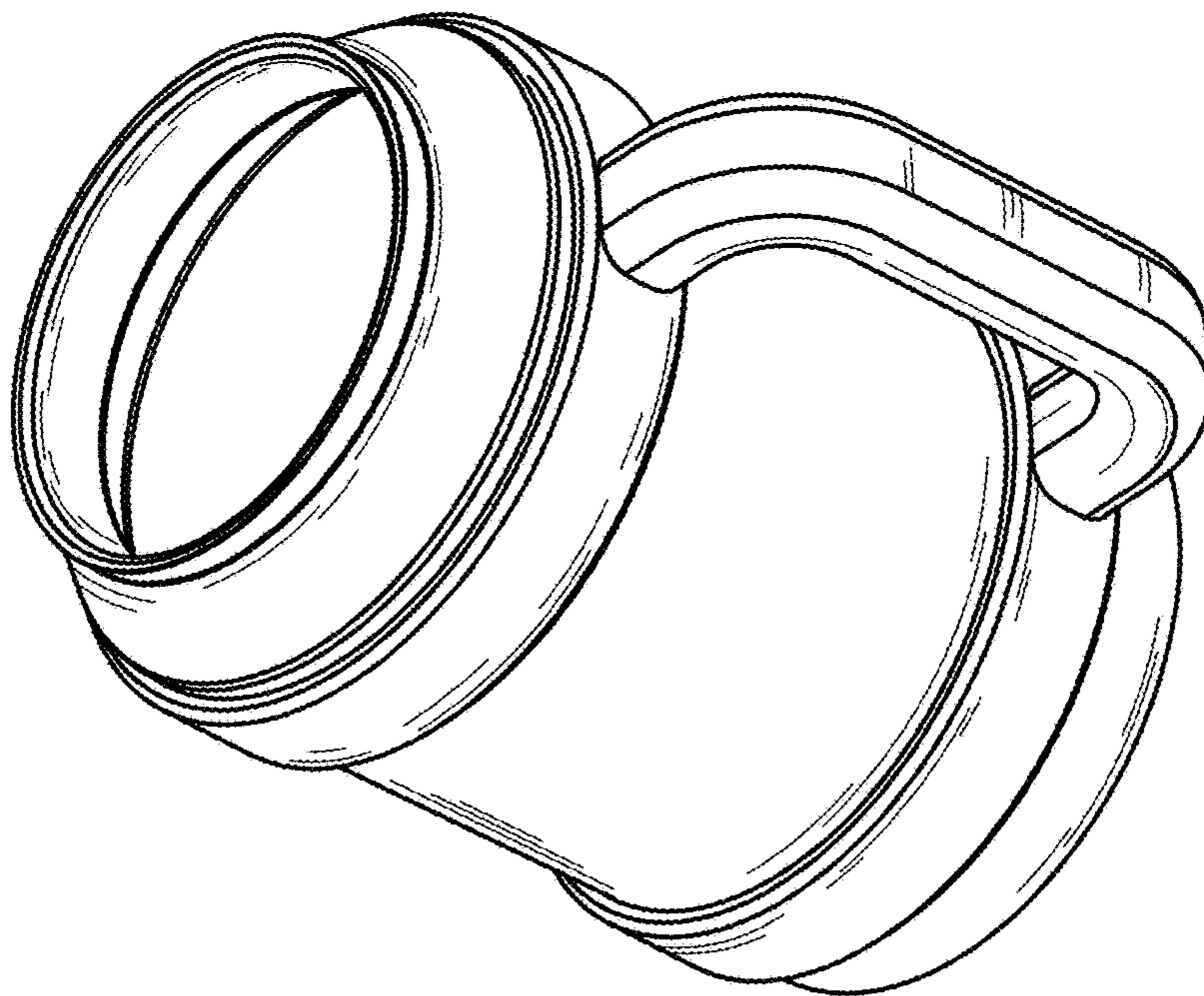


FIG. 1

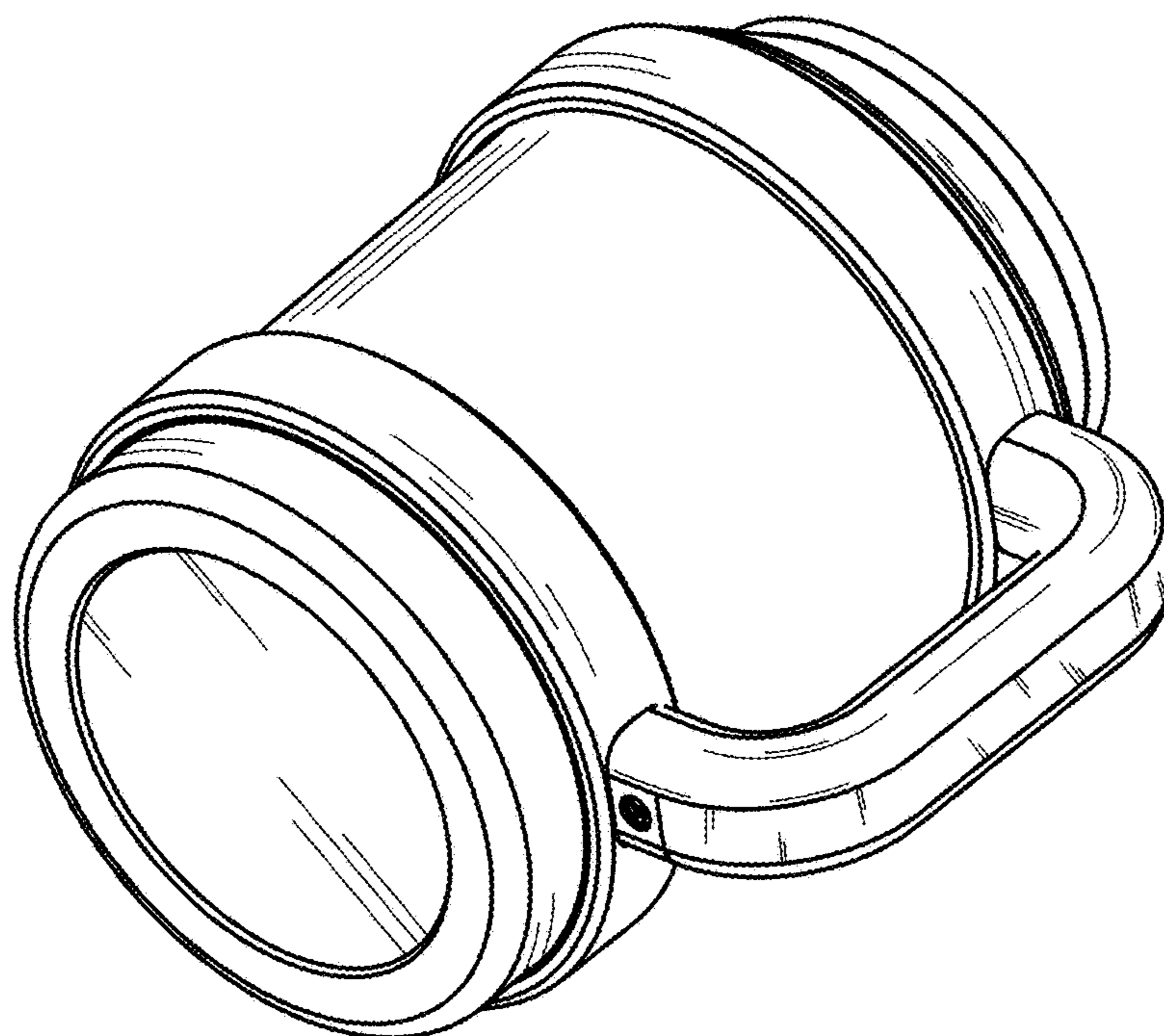


FIG. 2

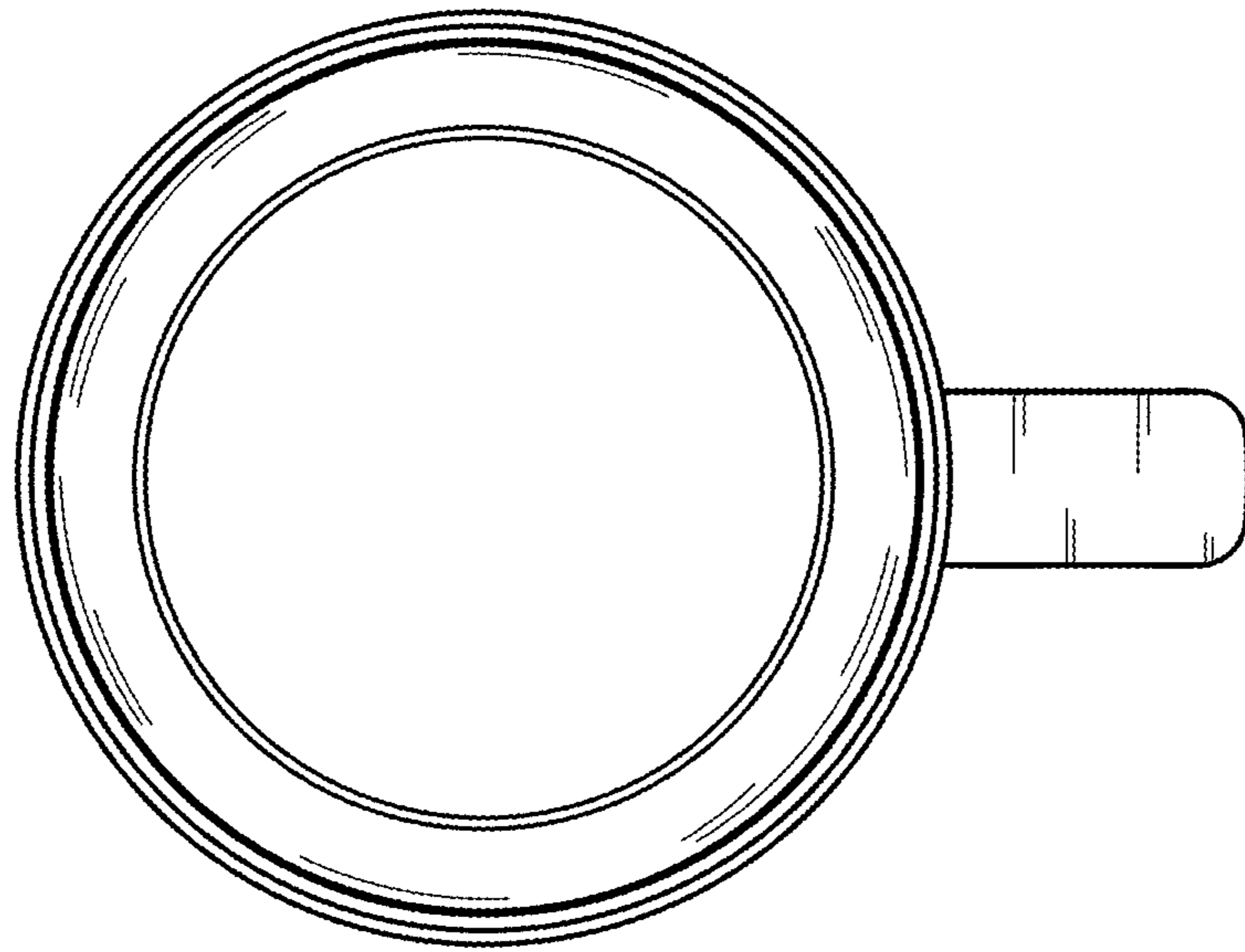


FIG. 3

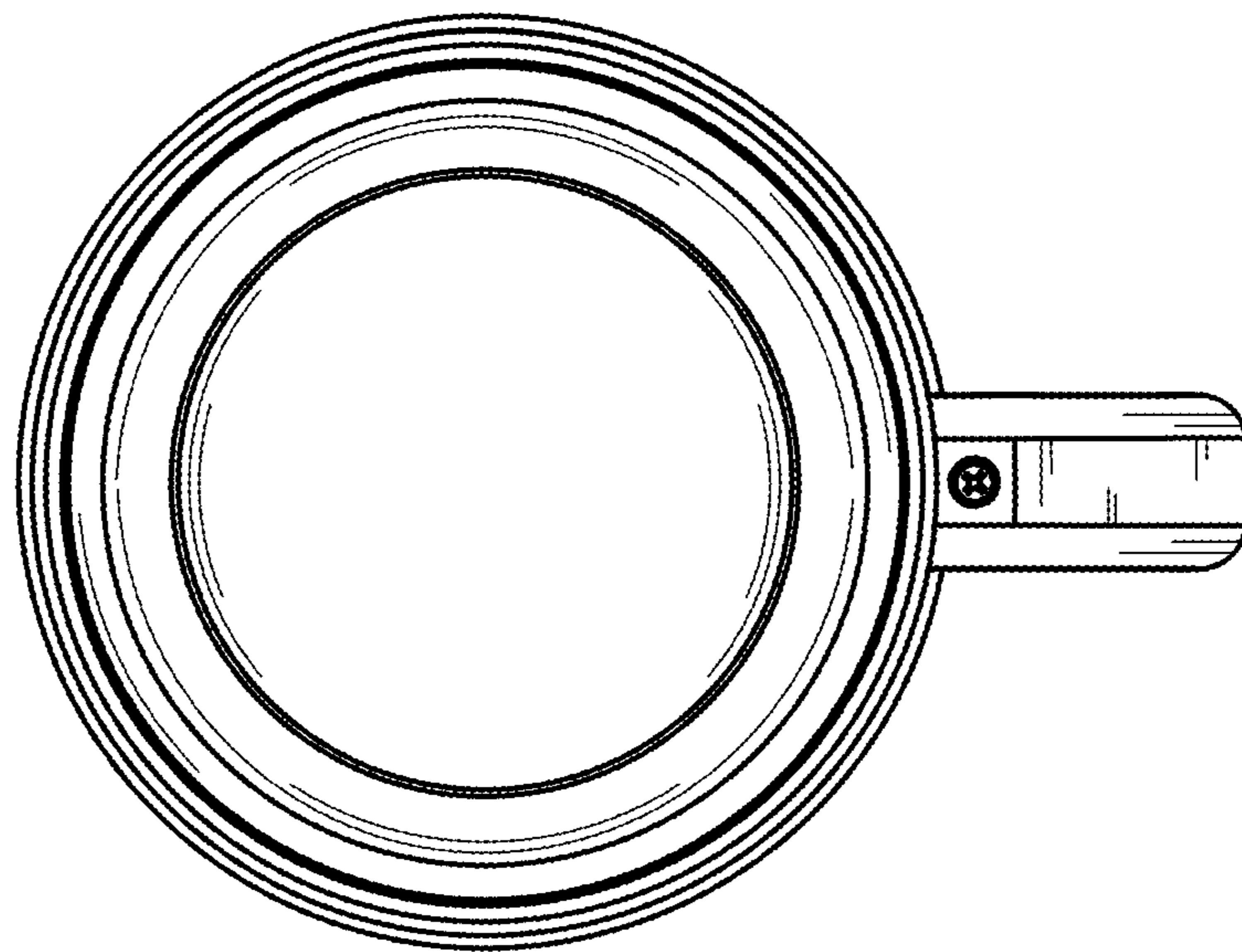


FIG. 4

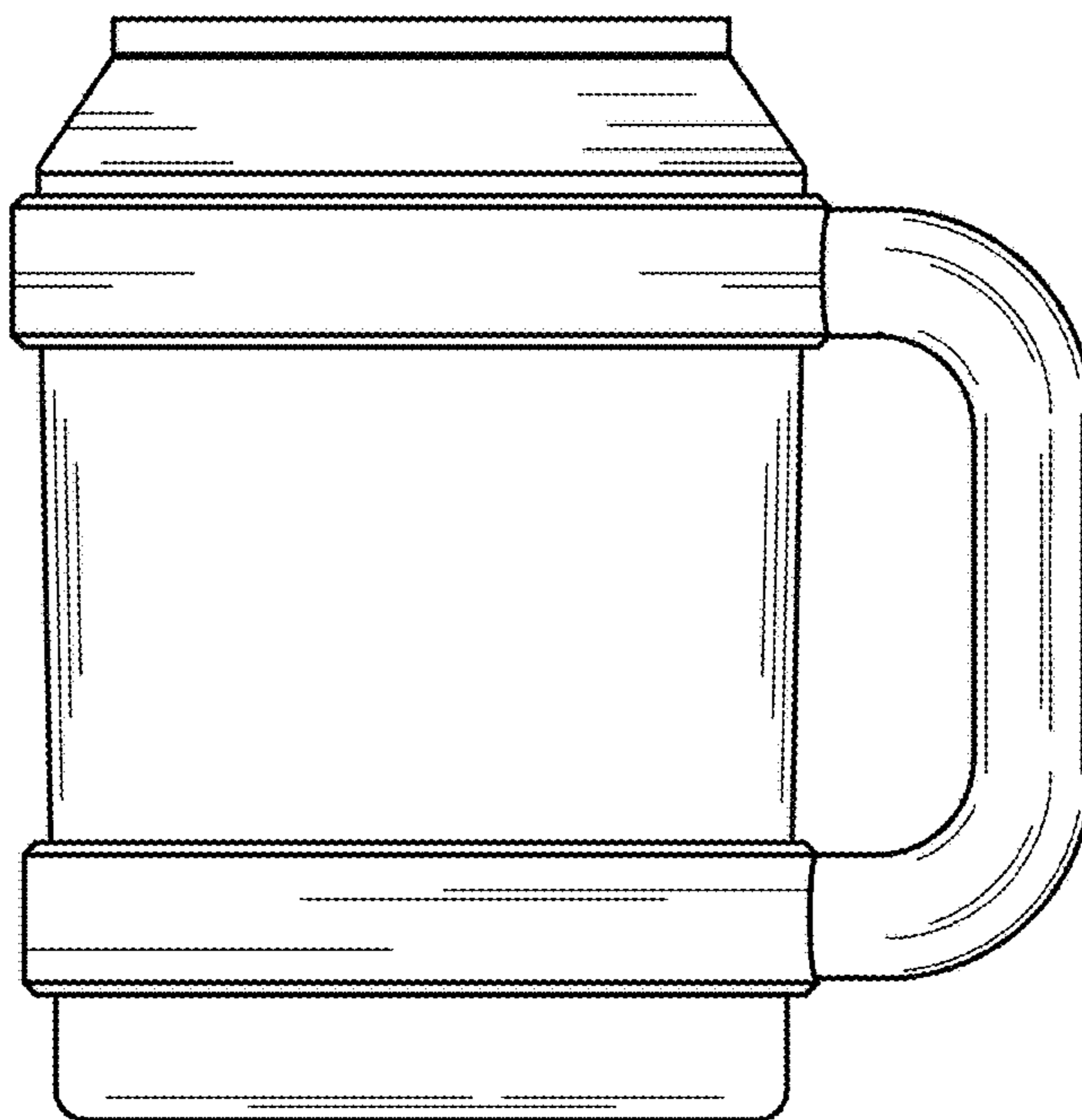


FIG. 5

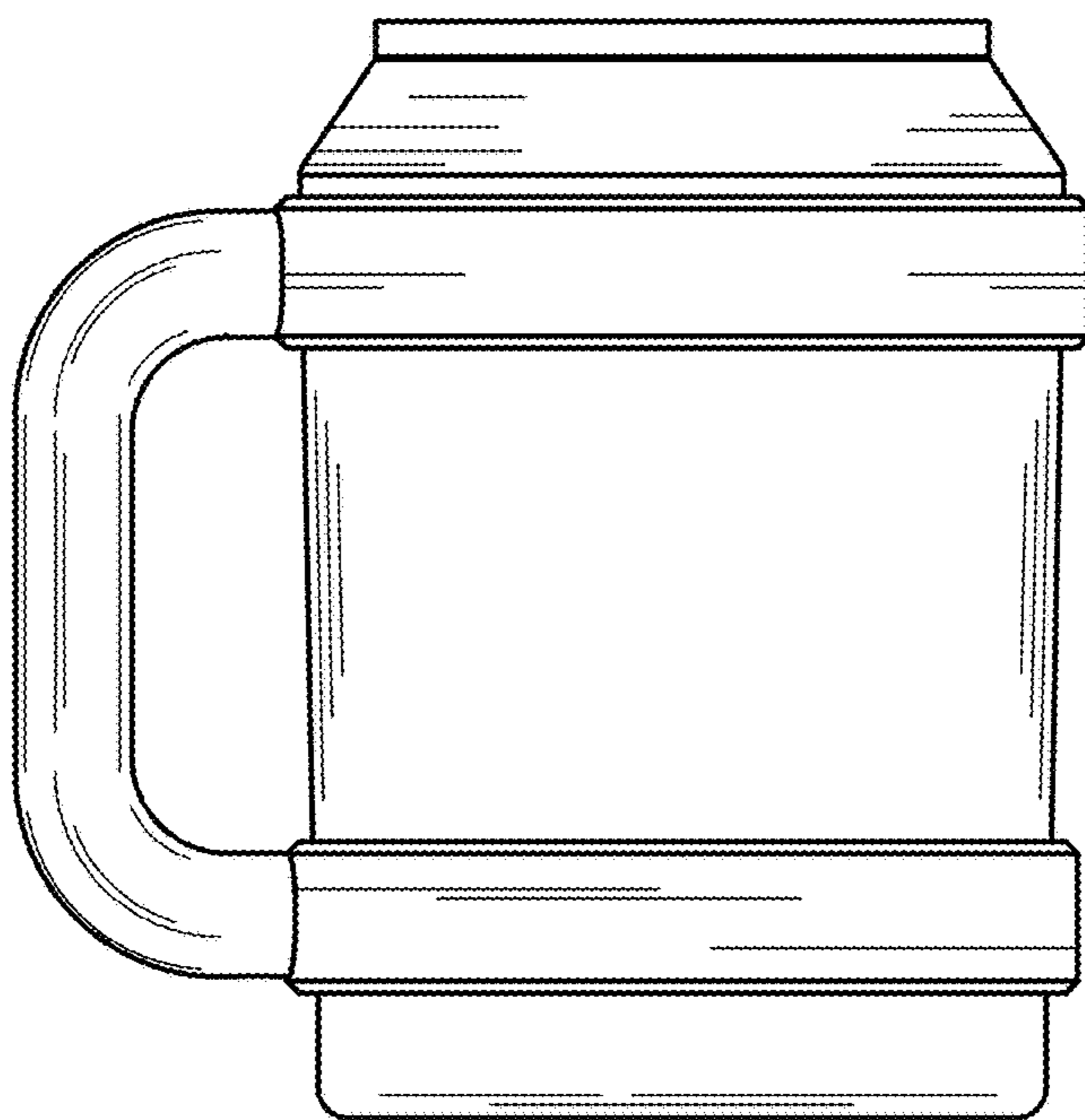


FIG. 6

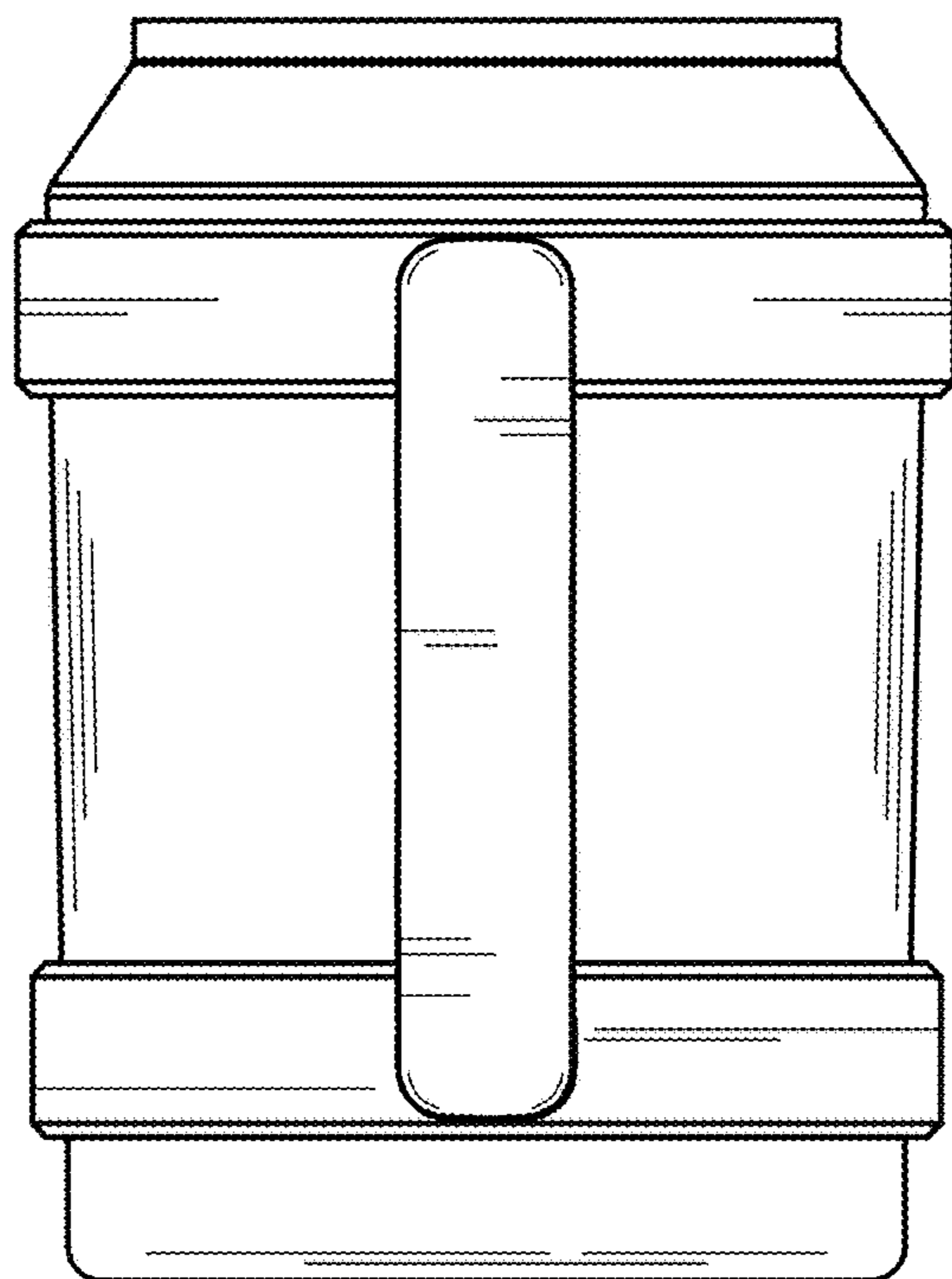


FIG. 7

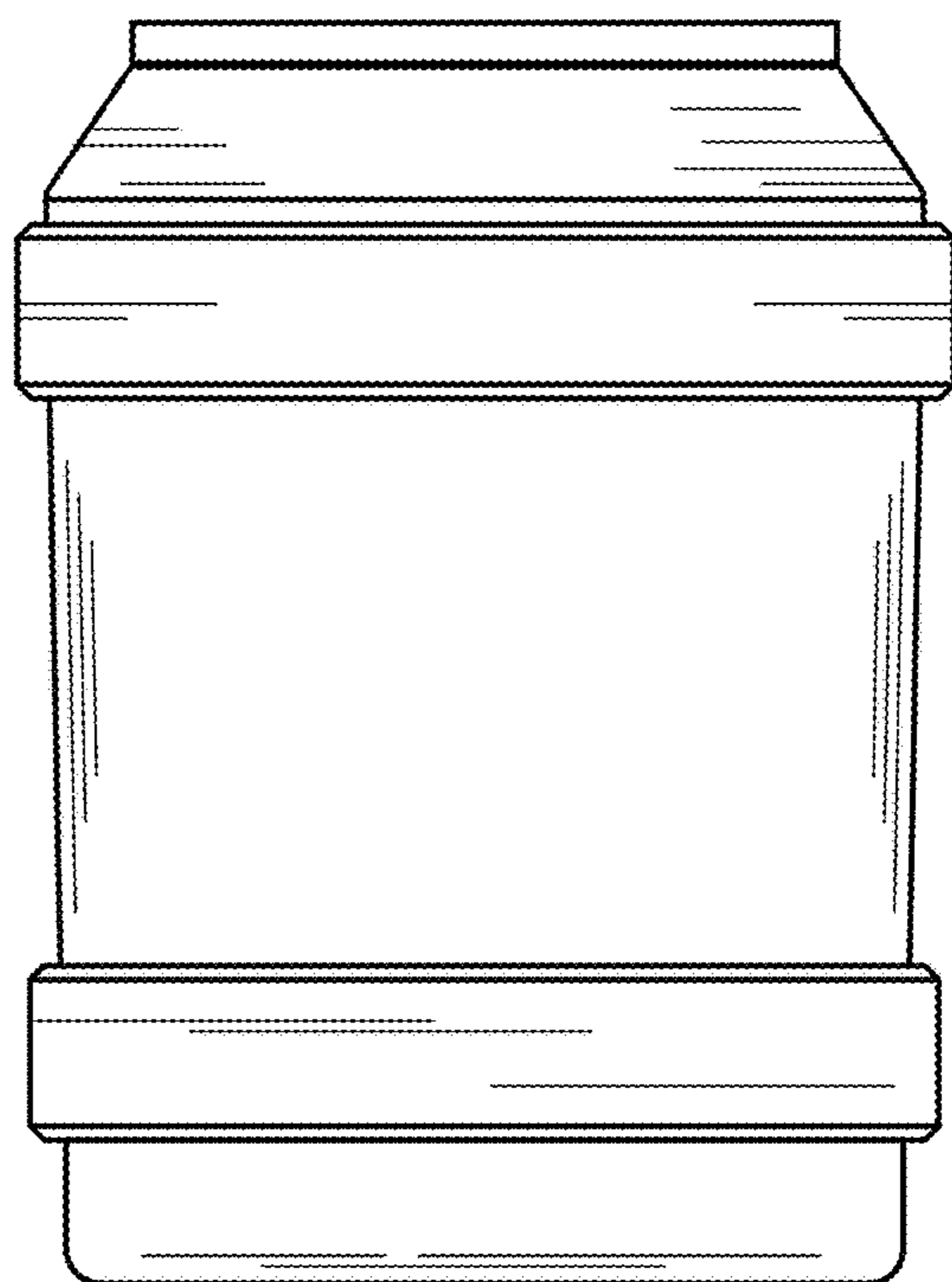


FIG. 8

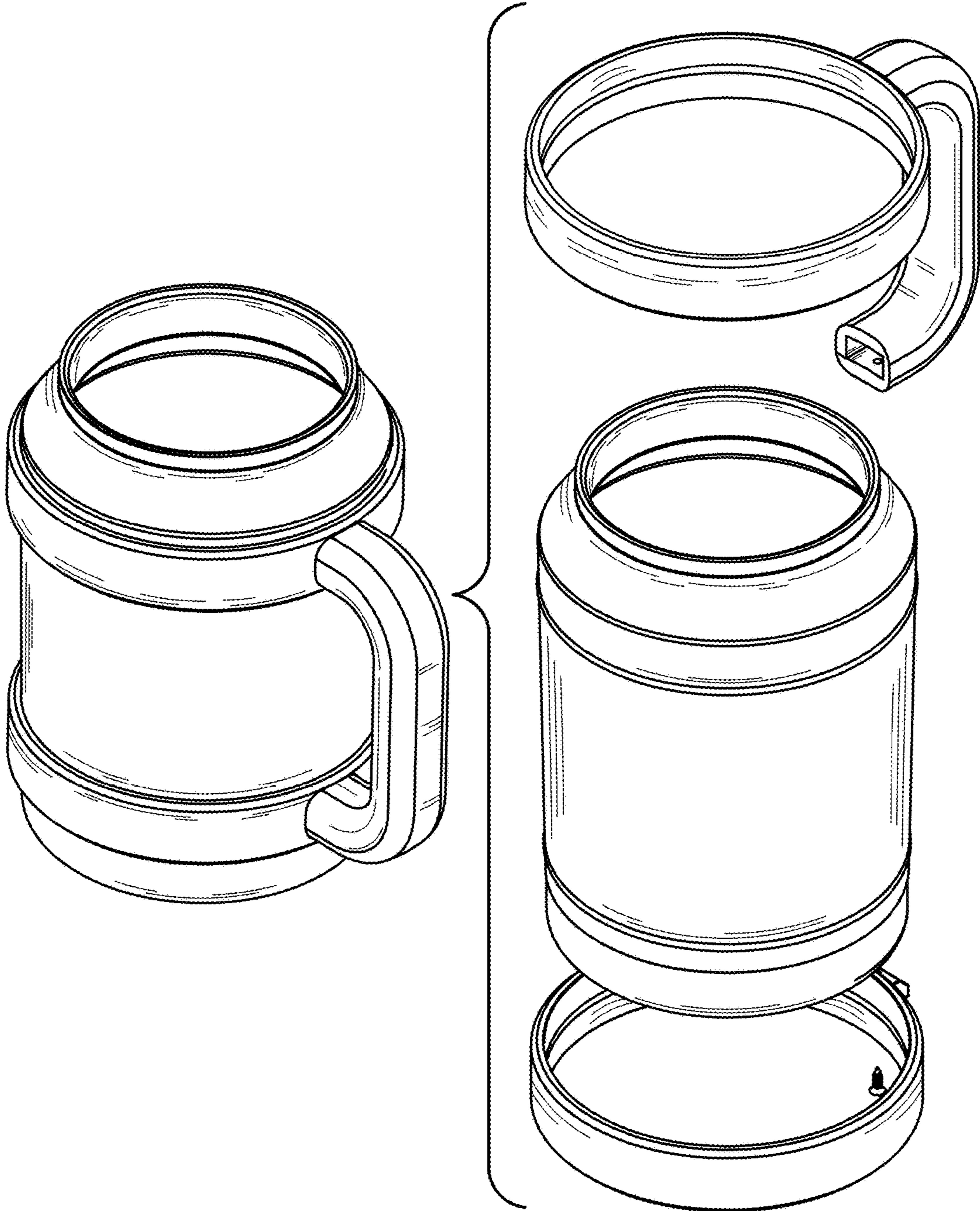


FIG. 9

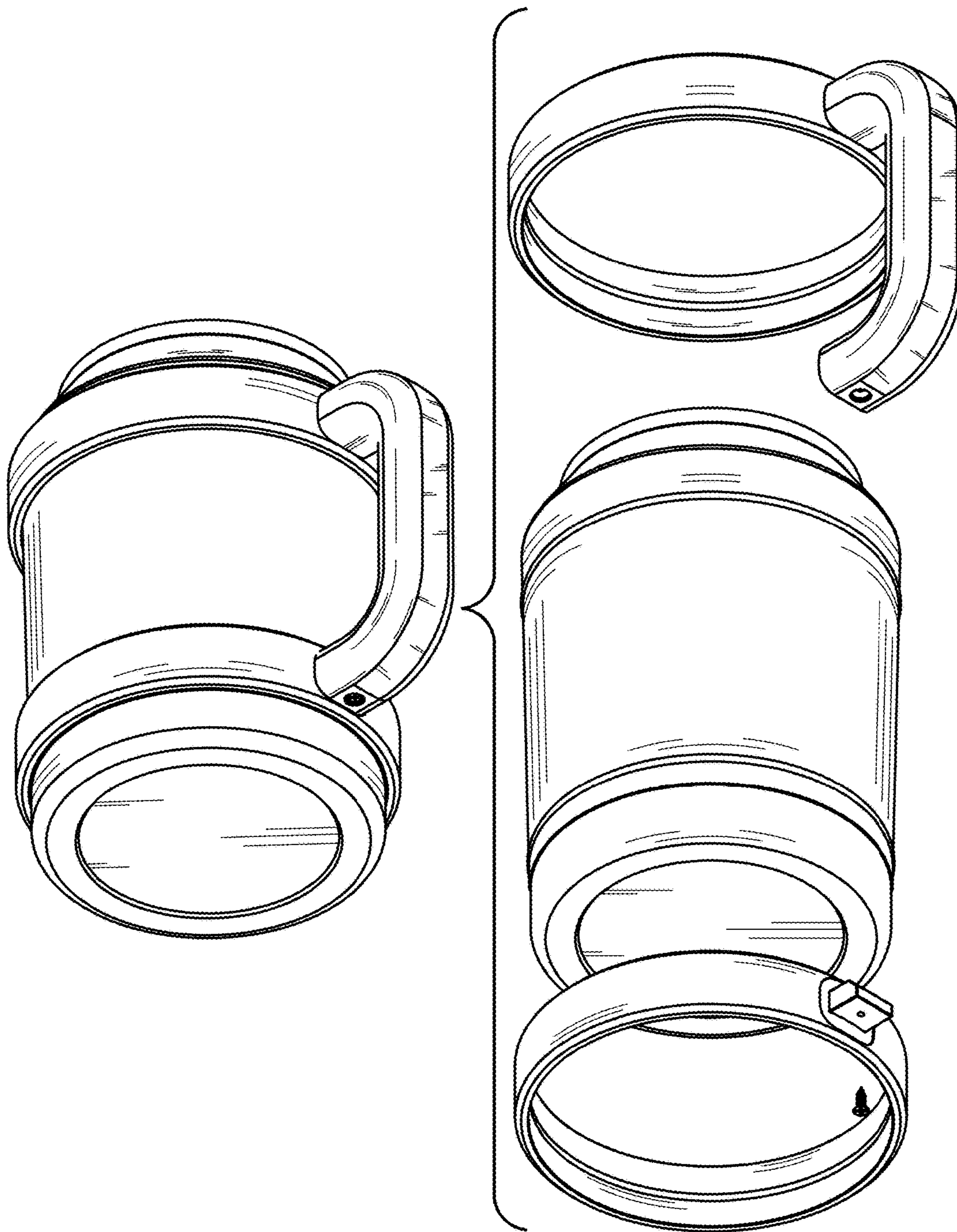


FIG. 10

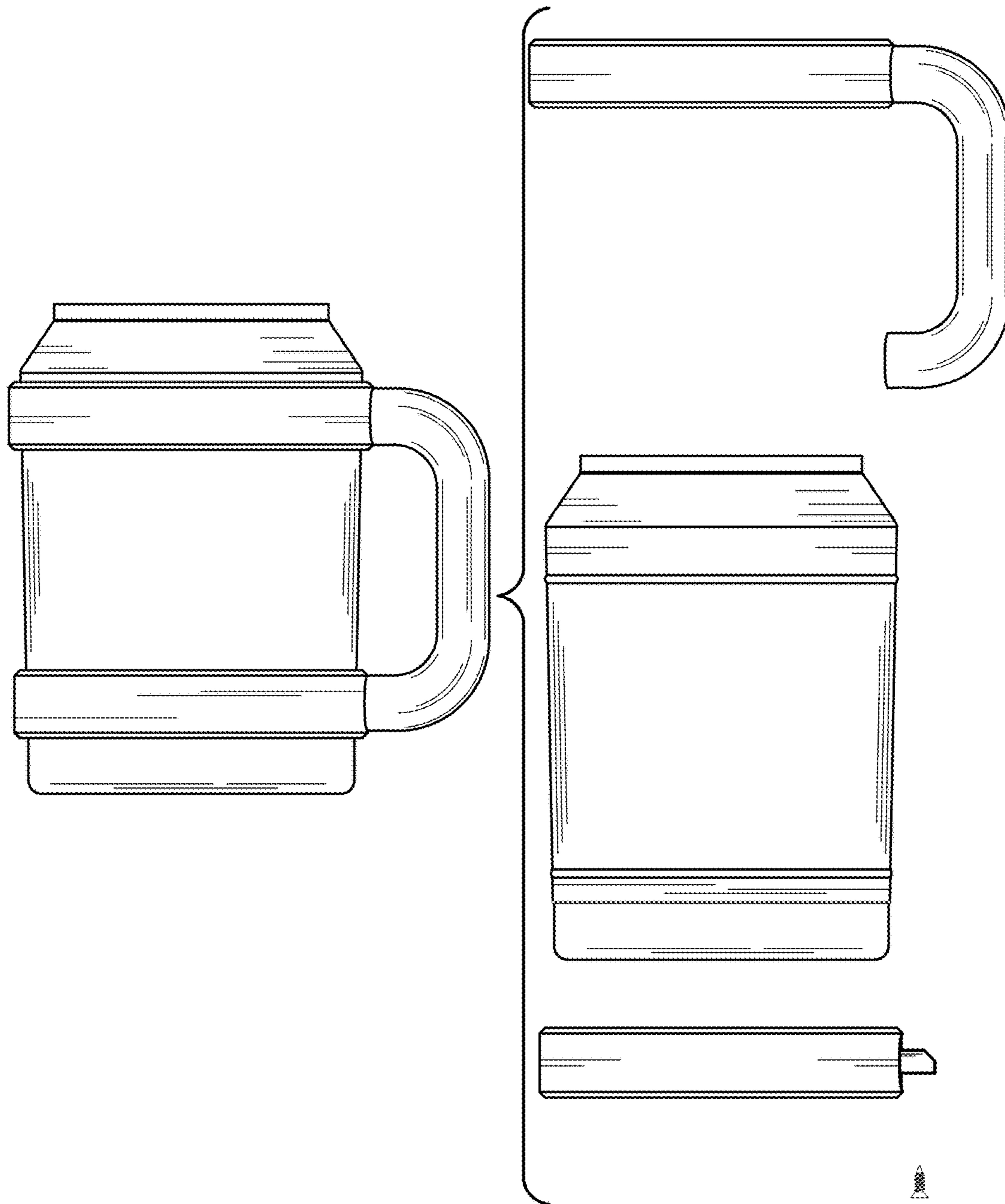


FIG. 11

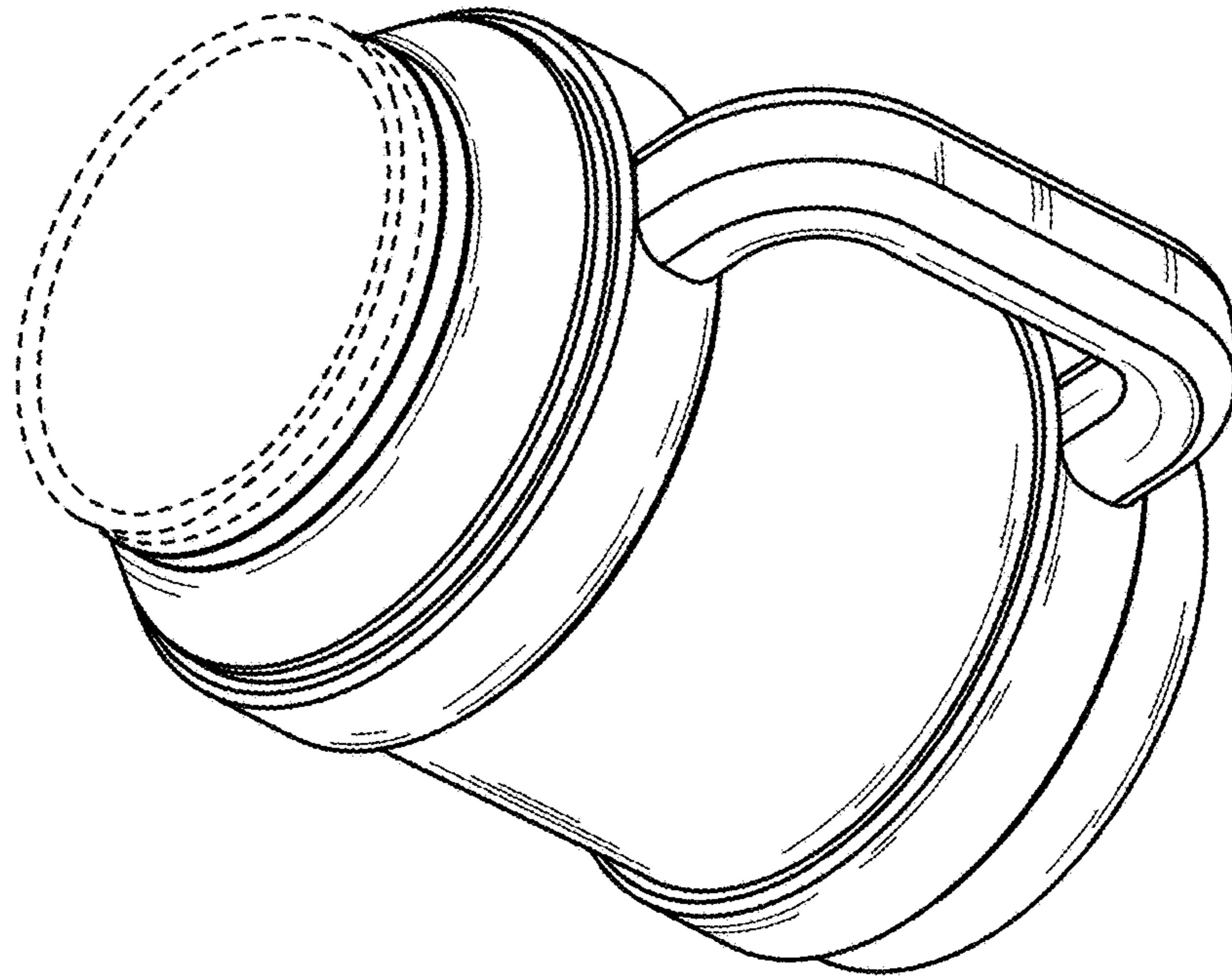


FIG. 12

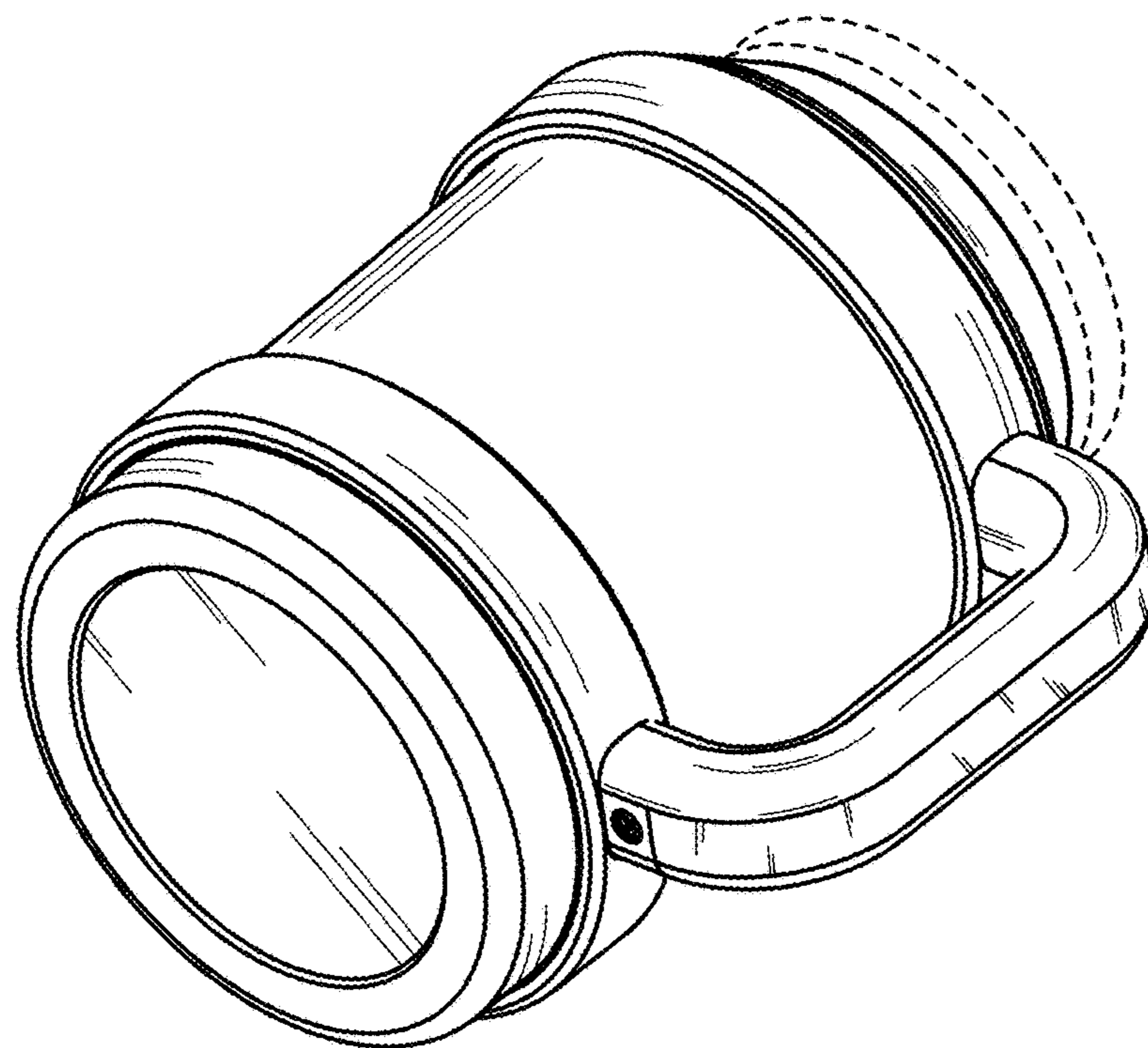


FIG. 13

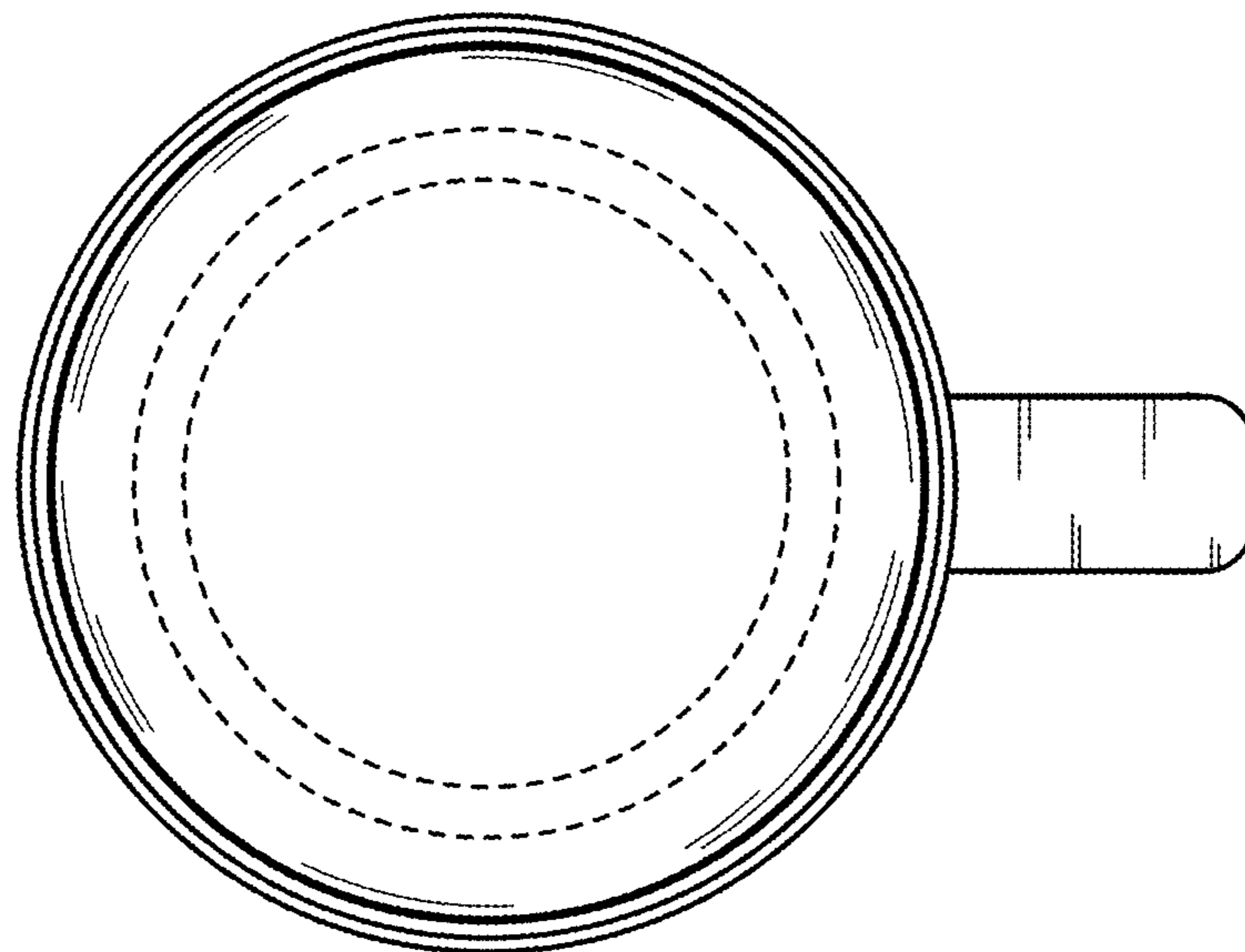


FIG. 14

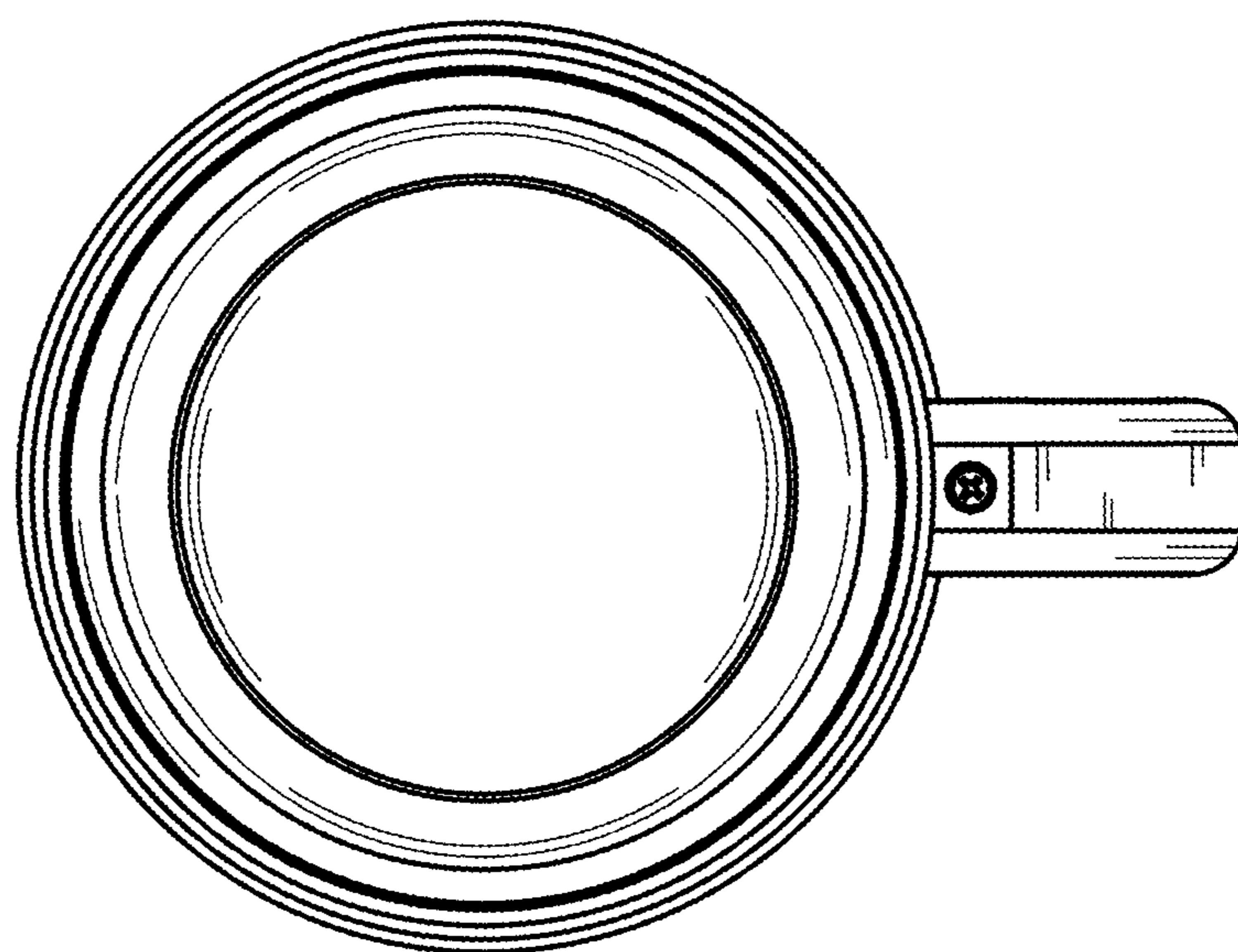


FIG. 15

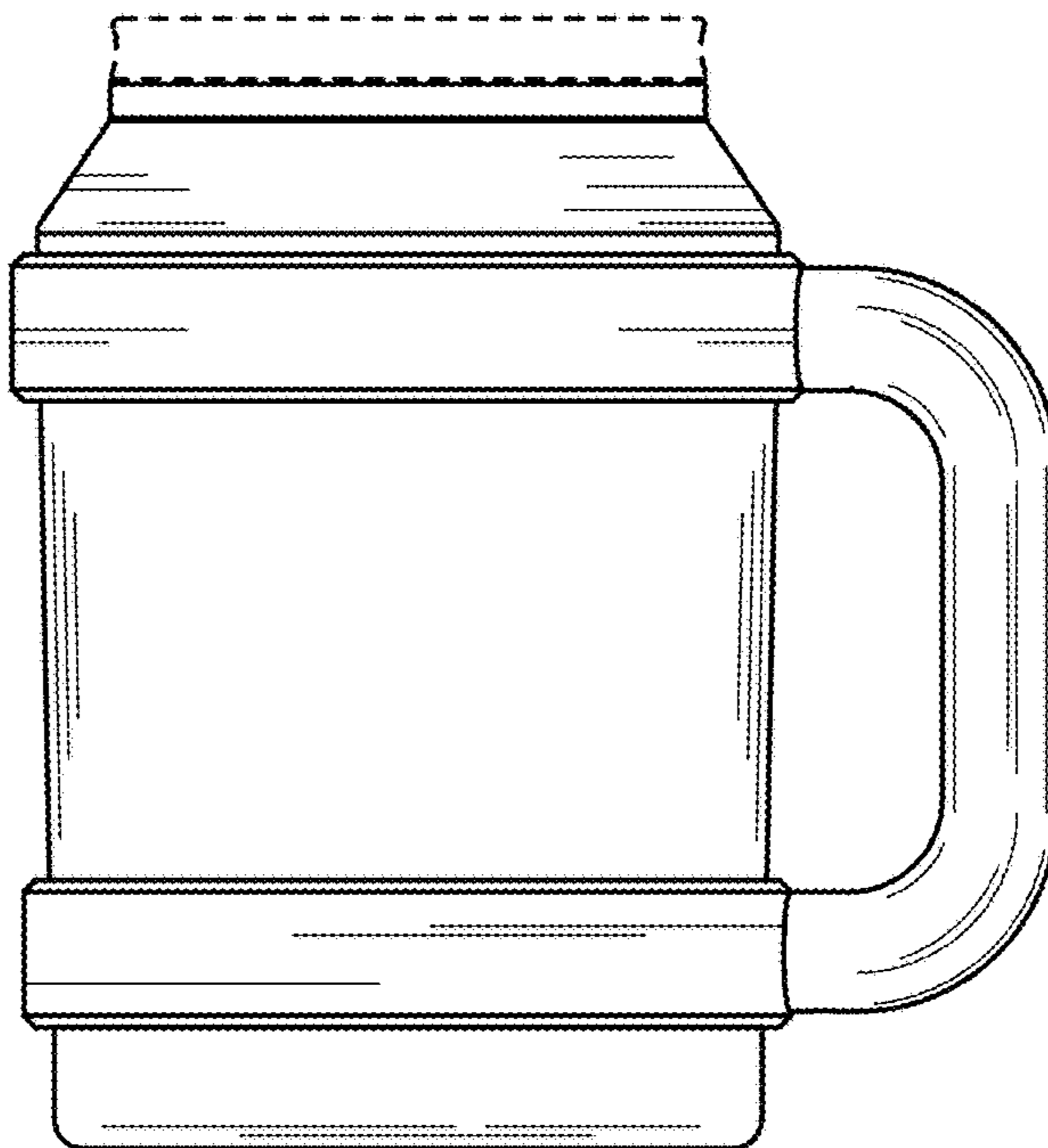


FIG. 16

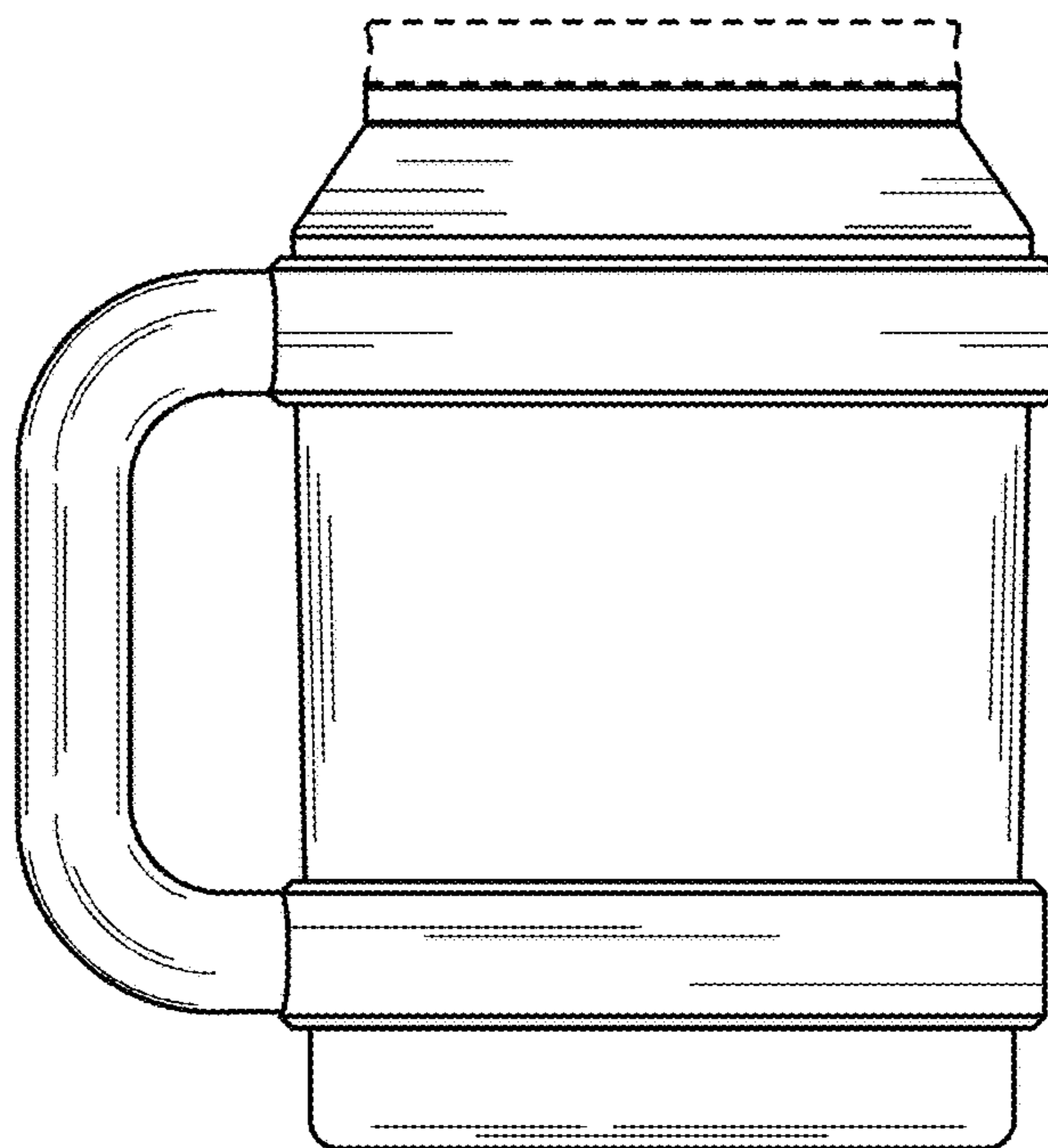


FIG. 17

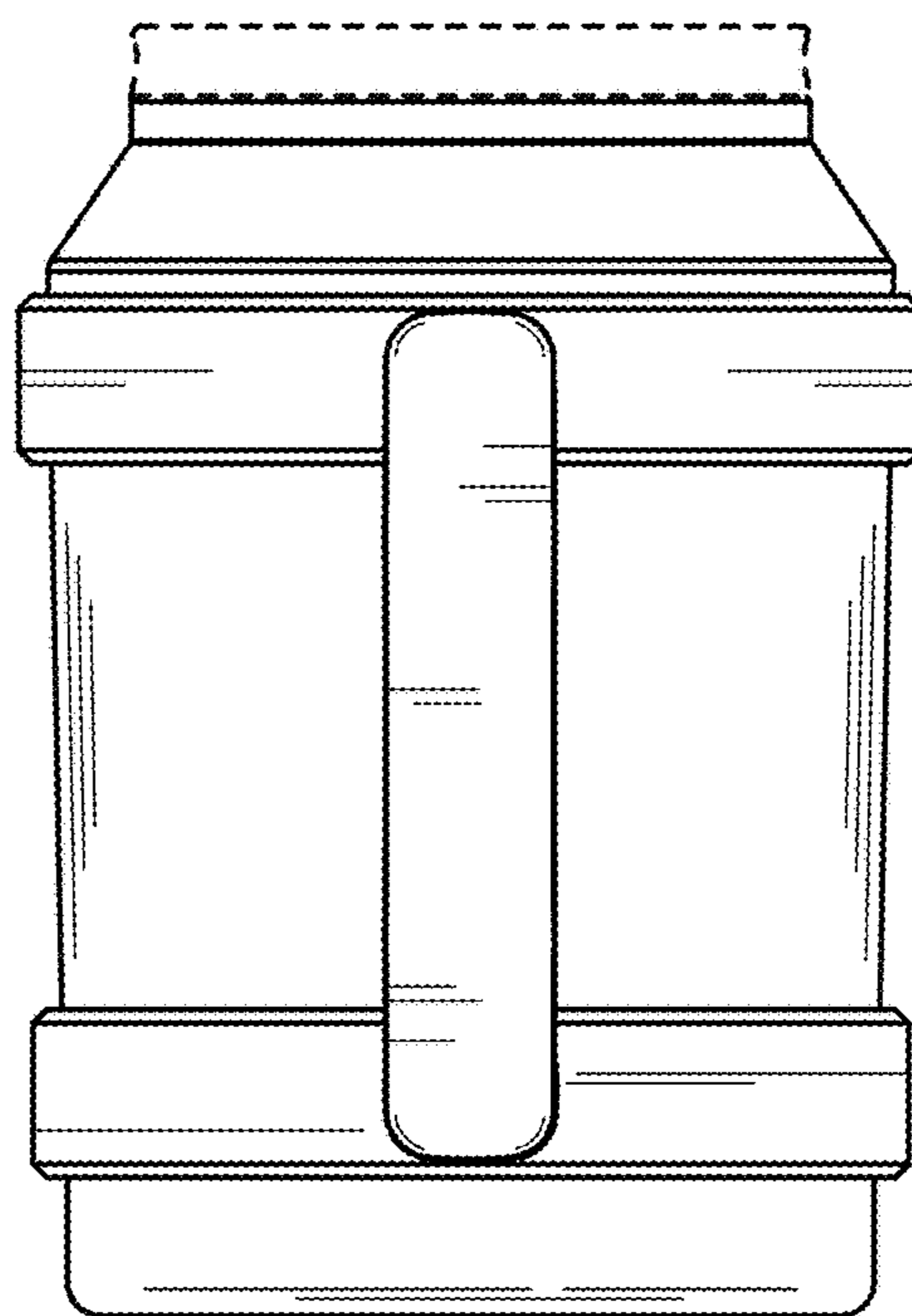


FIG. 18

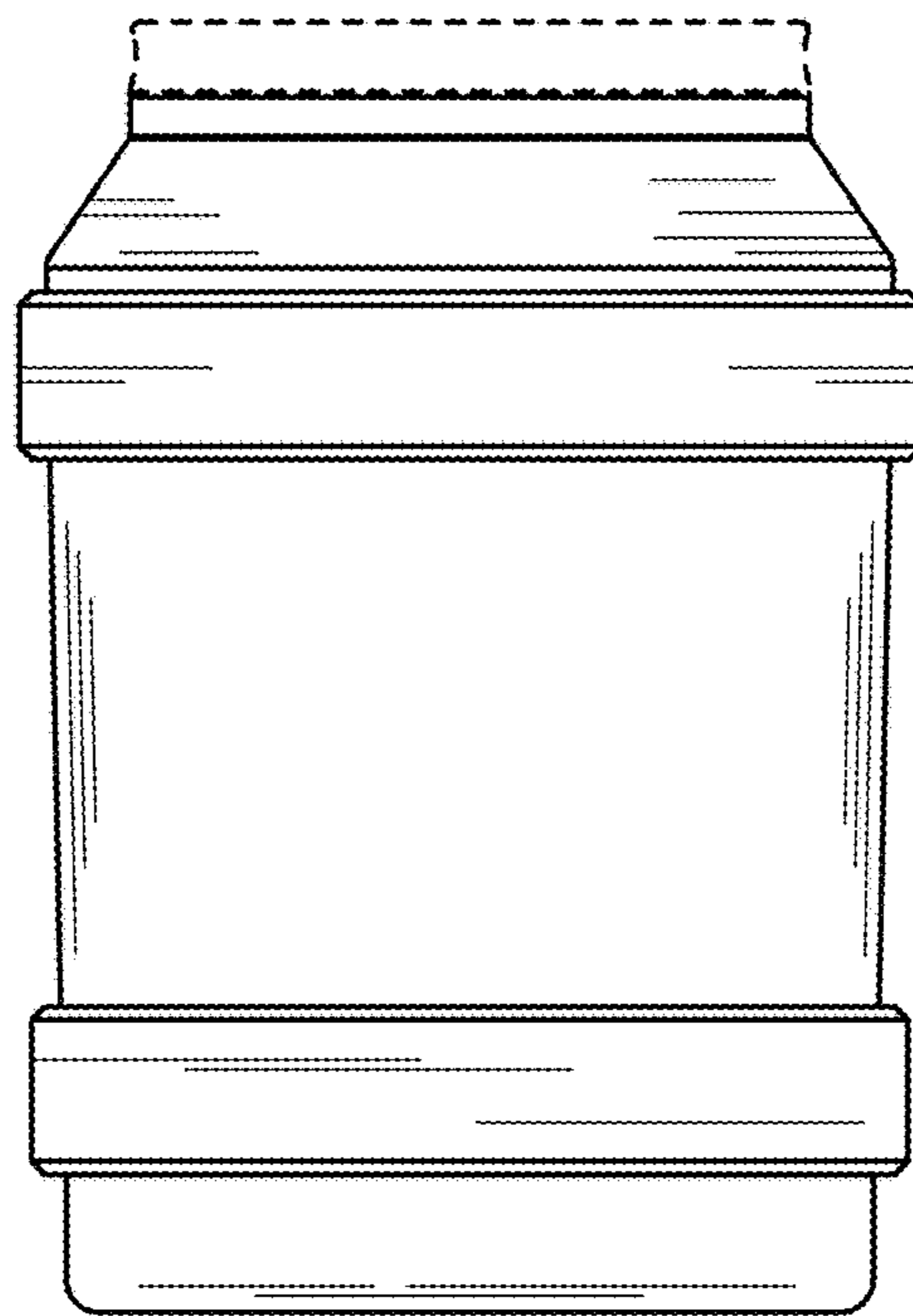


FIG. 19

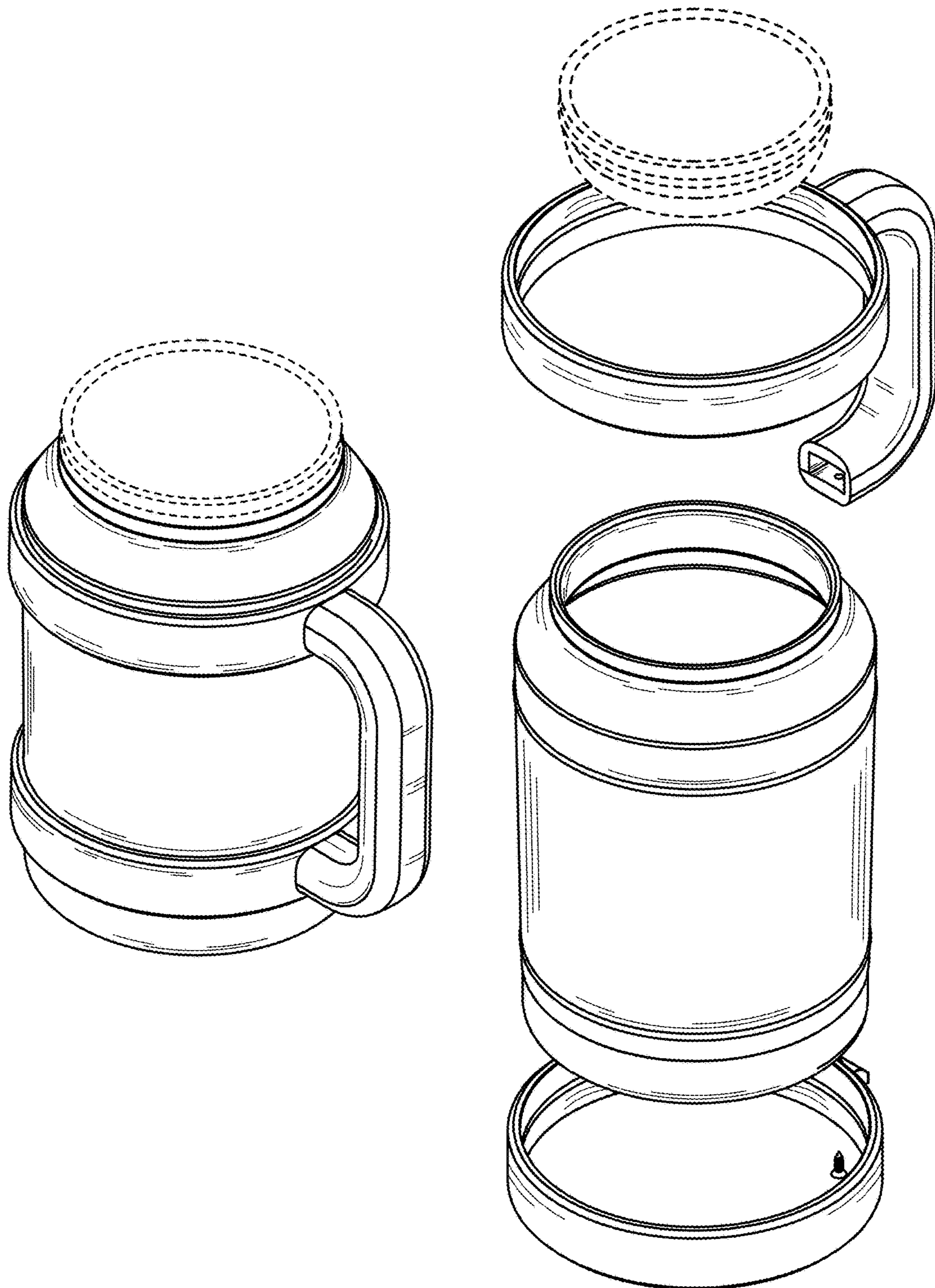


FIG. 20

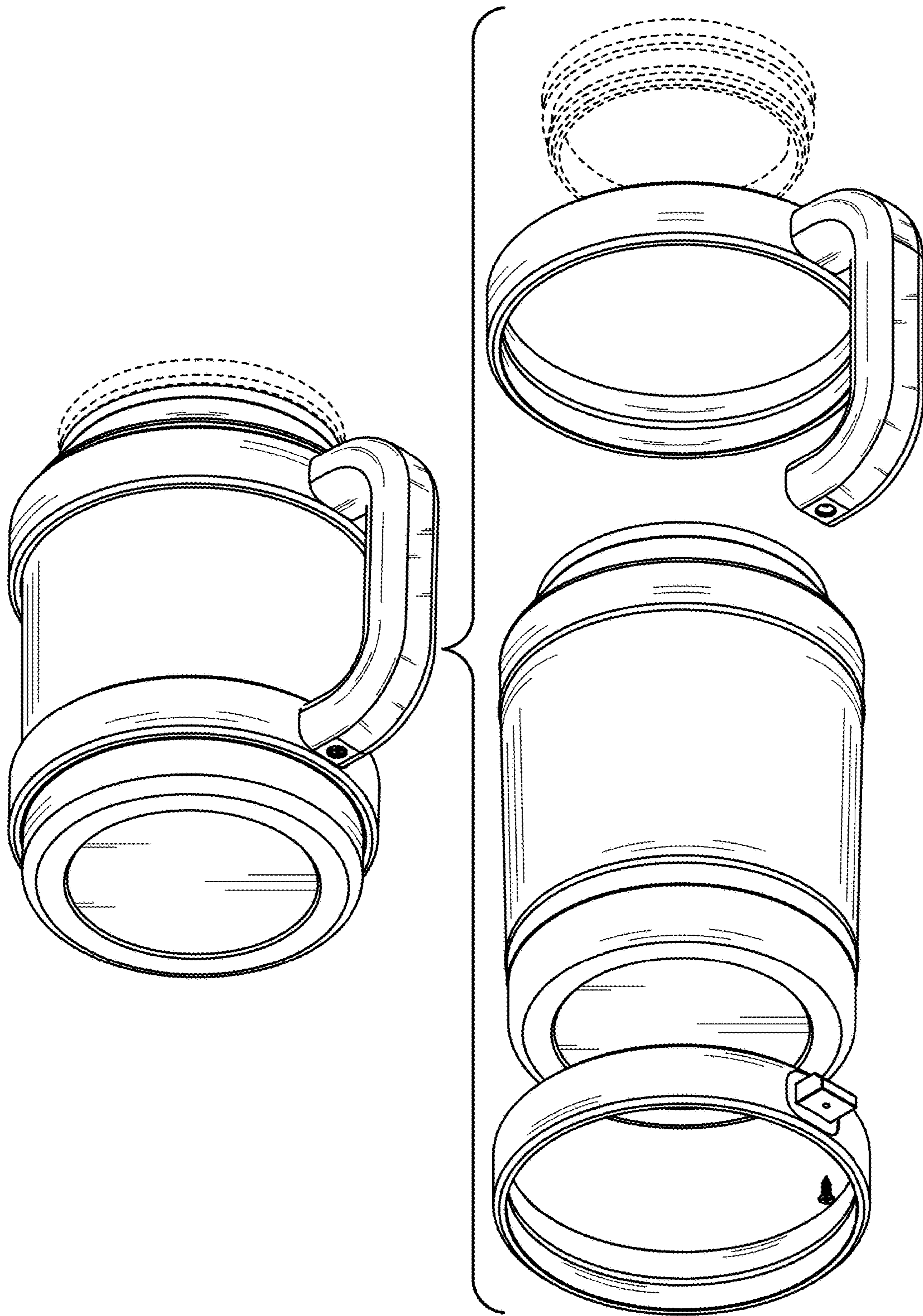


FIG. 21

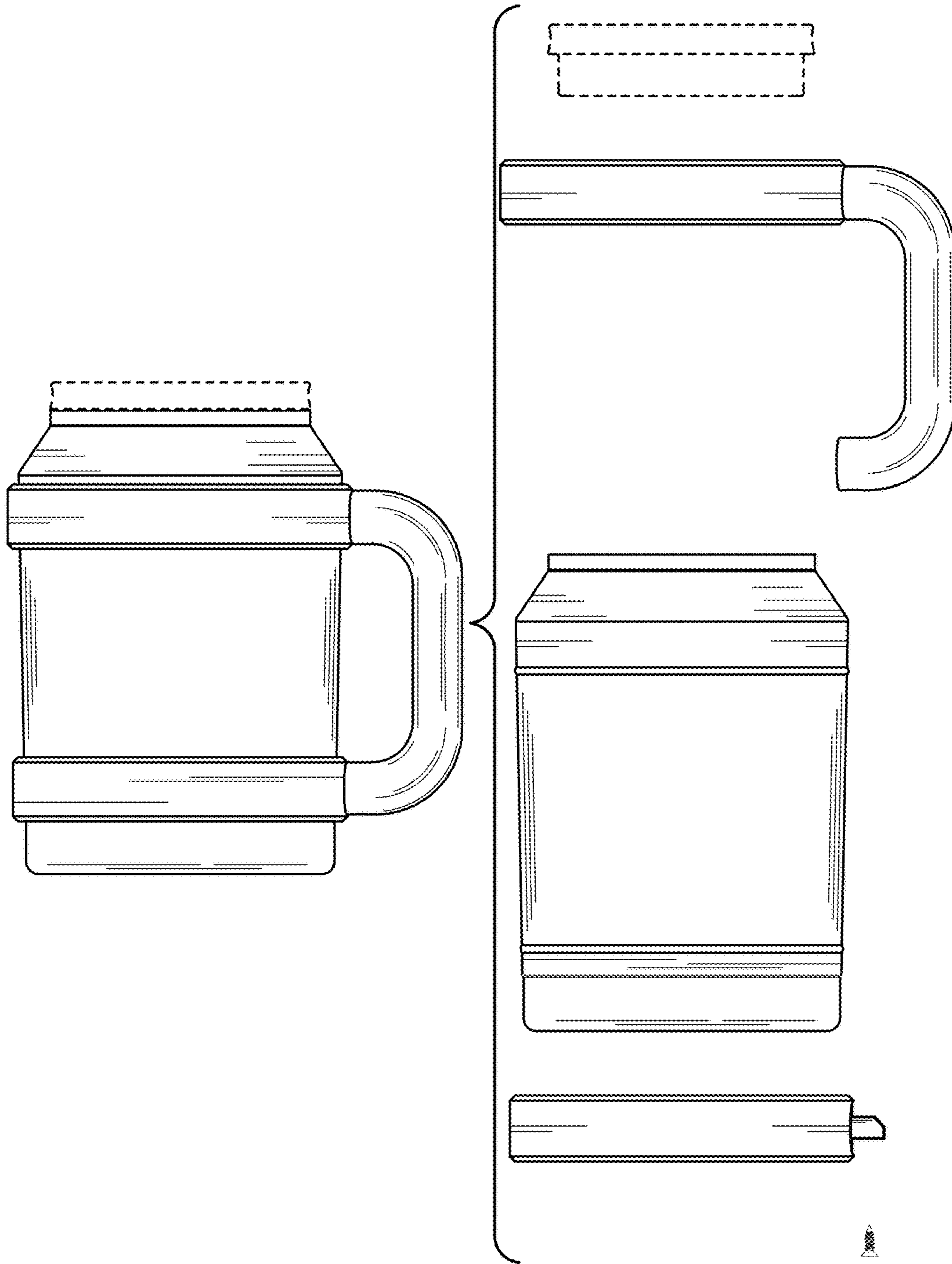


FIG. 22