



US00D813607S

(12) **United States Design Patent**  
**Nally et al.**

(10) **Patent No.:** **US D813,607 S**  
(45) **Date of Patent:** **\*\* Mar. 27, 2018**

(54) **SOUP MUG**

(71) Applicant: **CNA International Inc.**, Wood Dale, IL (US)

(72) Inventors: **Patrick Scott Nally**, Seattle, WA (US);  
**Hyunchul Kim**, Chicago, IL (US);  
**Steve Cho**, Chicago, IL (US); **Kristin Marie Affatato**, Elmhurst, IL (US)

(73) Assignee: **CNA INTERNATIONAL INC.**, Wood Dale, IL (US)

(\*\*) Term: **15 Years**

(21) Appl. No.: **29/556,843**

(22) Filed: **Mar. 3, 2016**

(51) **LOC (11) Cl.** ..... **07-01**

(52) **U.S. Cl.**  
USPC ..... **D7/536; D7/532**

(58) **Field of Classification Search**  
USPC ..... D7/507, 509, 510, 511, 523, 527, 529,  
D7/531, 532, 533, 534, 535, 536, 608,  
D7/300, 300.1, 300.2, 552.1, 319, 393,  
D7/394, 387, 391, 392.1, 396.2; D34/39;  
D9/503, 907, 531, 435, 436, 454, 449,  
D9/443; 220/592.16, 592.17, 495.03,  
220/705-710

CPC ..... A47G 19/22; A47G 19/2205; A47G  
19/2222; A45F 3/16; A45F 3/20; B67D  
7/06; B67D 1/0004; B65D 25/14

See application file for complete search history.

(56) **References Cited**

U.S. PATENT DOCUMENTS

2,613,517 A \* 10/1952 Frantz ..... A47G 19/22  
220/23.2  
D184,518 S \* 3/1959 Donald ..... D7/536  
3,463,140 A \* 8/1969 Rollor, Jr. .... A47G 19/2288  
126/246  
D221,174 S \* 7/1971 Benes ..... D7/536

D227,532 S \* 7/1973 Refsgaard ..... D7/536  
D230,457 S \* 2/1974 Bateman ..... D7/536  
D247,277 S \* 2/1978 Refsgaard Andersen ..... D7/536  
4,263,734 A \* 4/1981 Bradshaw ..... A47G 19/2227  
156/242  
D264,665 S \* 6/1982 Ochwat ..... D7/517

(Continued)

OTHER PUBLICATIONS

Amazon.com | BIA Cordon Bleu Oversized Jumbo White Soup Bowl with Handle, 20 Ounce: Soup Bowls [https://www.amazon.com/s/ref=sr\\_pg\\_3?srs=2583294011&rh=i%3Aspecialty-aps&page=3&ie=UTF8&qid=1510171257](https://www.amazon.com/s/ref=sr_pg_3?srs=2583294011&rh=i%3Aspecialty-aps&page=3&ie=UTF8&qid=1510171257) Jul. 19, 2010.\*

*Primary Examiner* — Marianne Pandozzi

*Assistant Examiner* — Jae Liang

(74) *Attorney, Agent, or Firm* — McDermott Will & Emery LLP

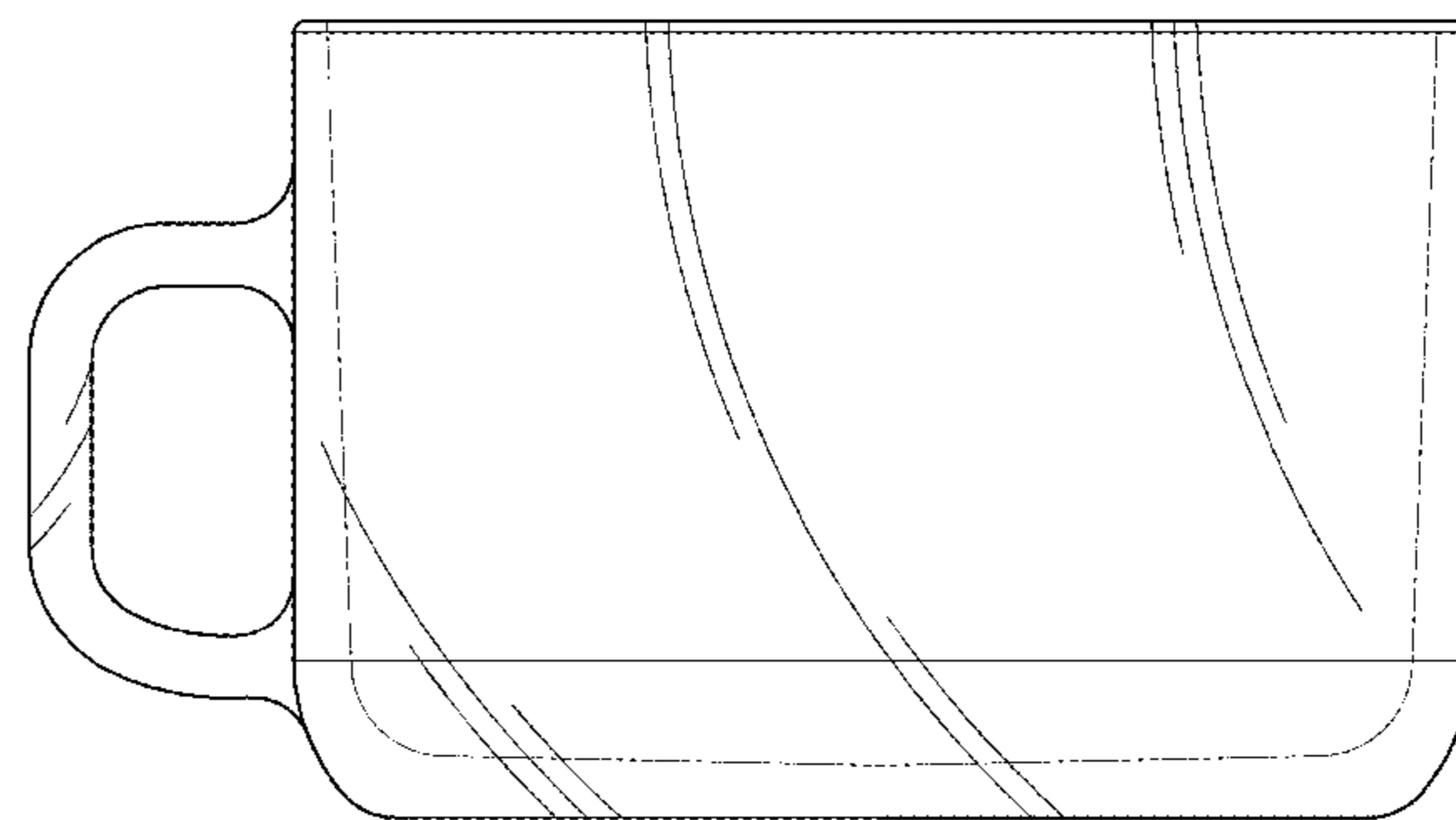
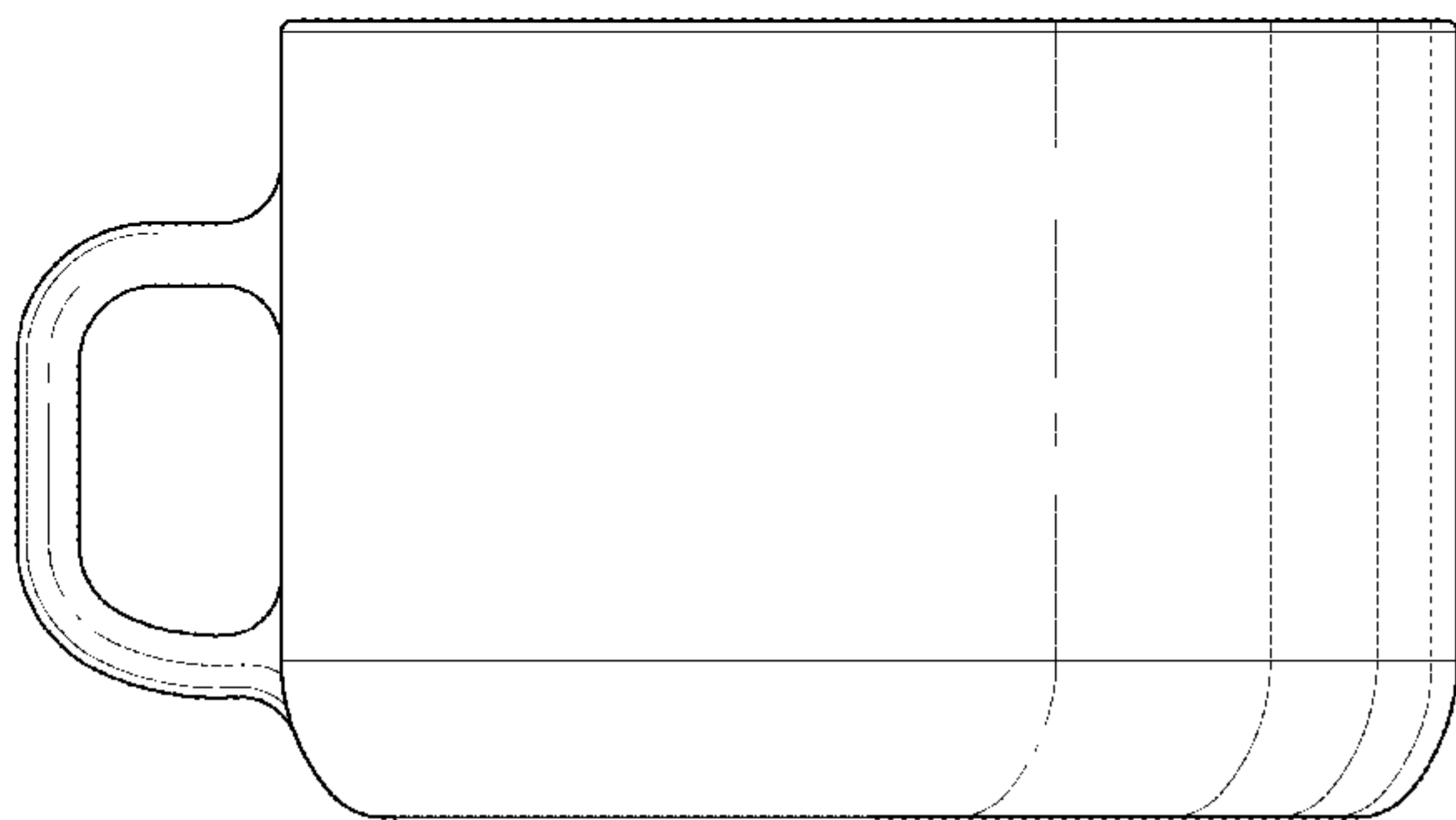
(57) **CLAIM**

We claim the ornamental design for an soup mug, as shown and described.

**DESCRIPTION**

FIG. 1 is a perspective view of a first embodiment of a soup mug showing our new design;  
FIG. 2 is a front view thereof;  
FIG. 3 is a rear view thereof;  
FIG. 4 is a left side view thereof;  
FIG. 5 is a right side view thereof;  
FIG. 6 is a top plan view thereof;  
FIG. 7 is a bottom plan view thereof;  
FIG. 8 is a perspective view of a second embodiment of a soup mug;  
FIG. 9 is a front view thereof;  
FIG. 10 is a rear view thereof;  
FIG. 11 is a left side view thereof;  
FIG. 12 is a right side view thereof;  
FIG. 13 is a top plan view thereof; and,  
FIG. 14 is a bottom plan view thereof.

**1 Claim, 8 Drawing Sheets**



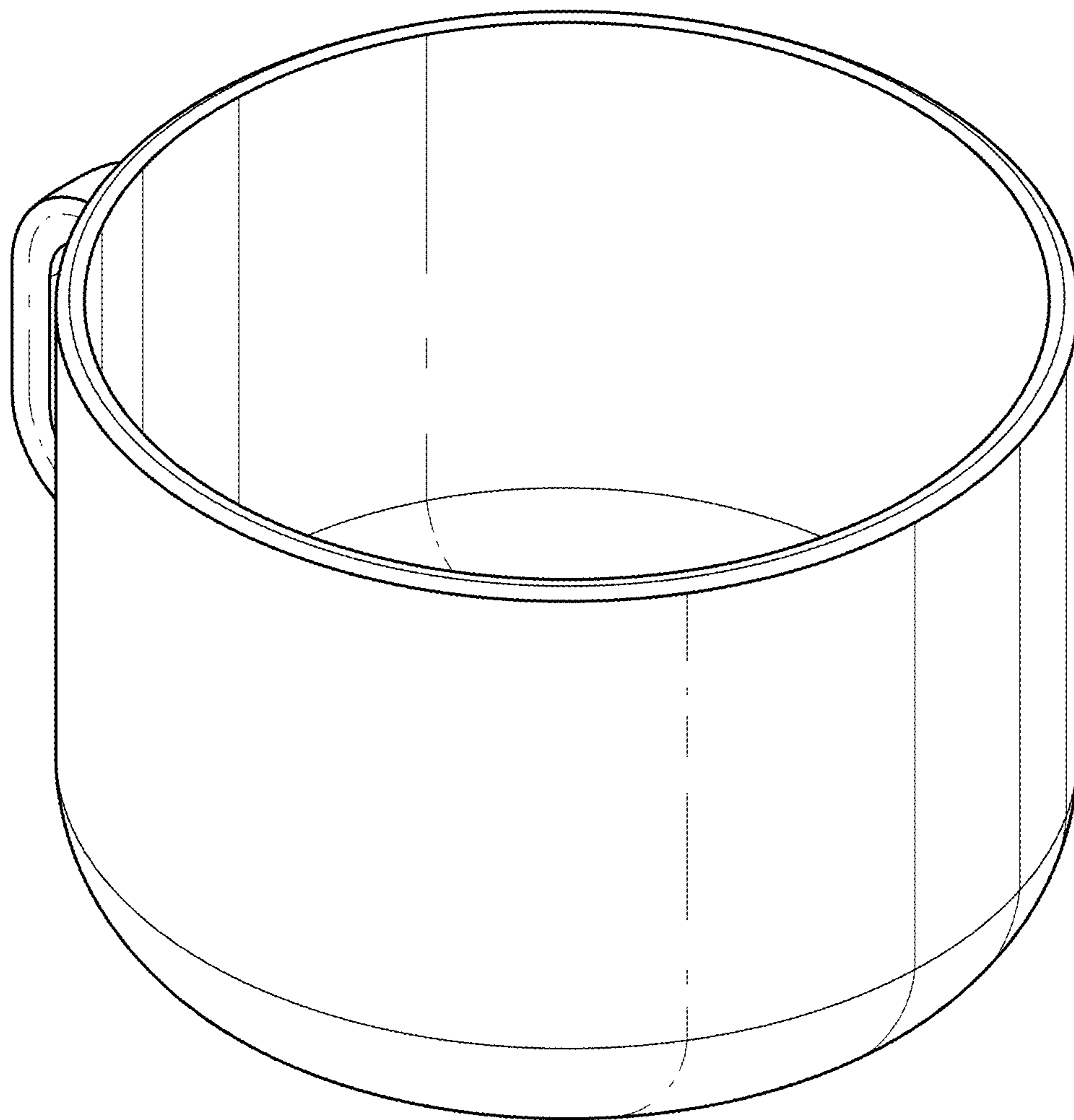
(56)

## References Cited

## U.S. PATENT DOCUMENTS

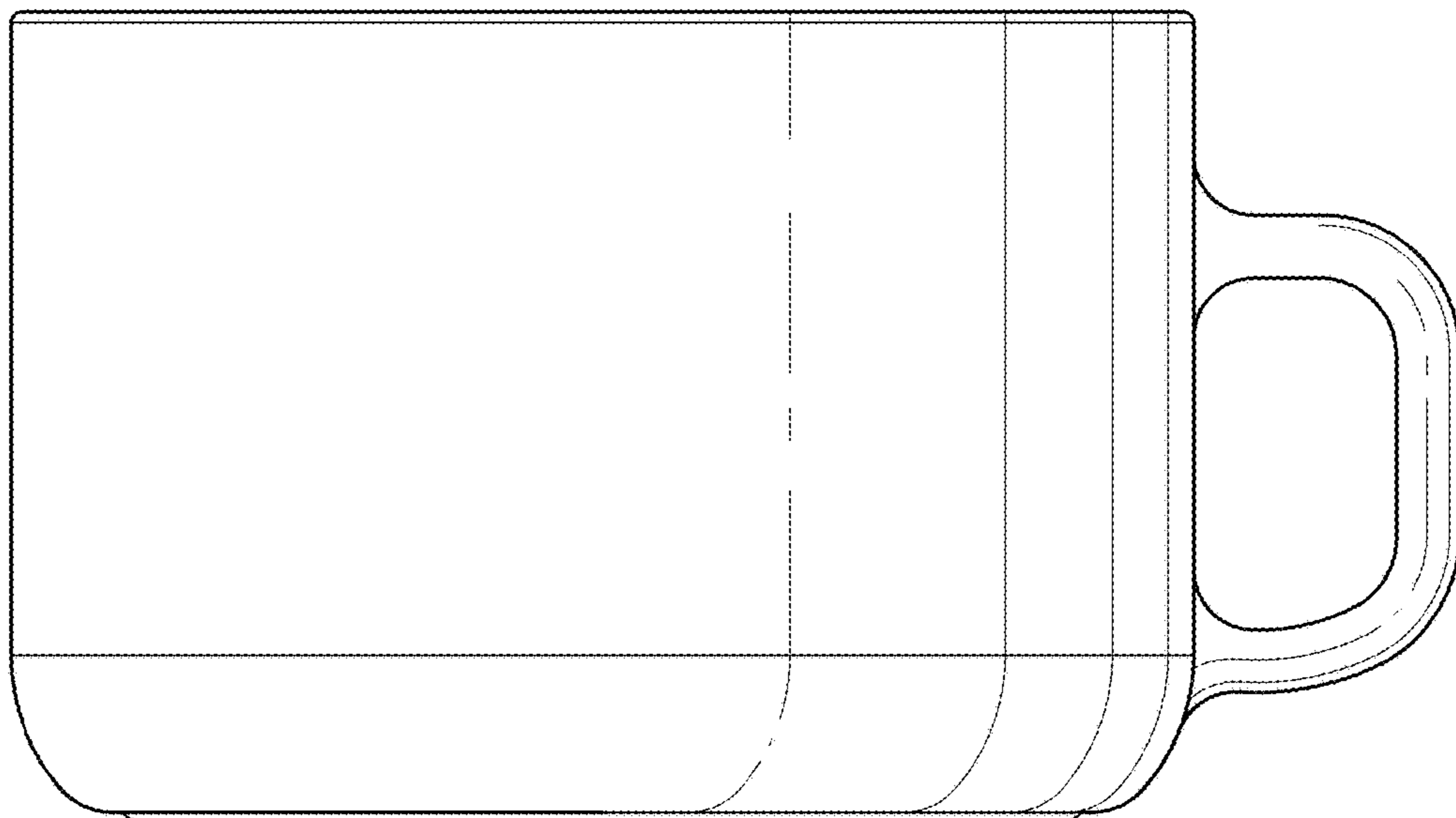
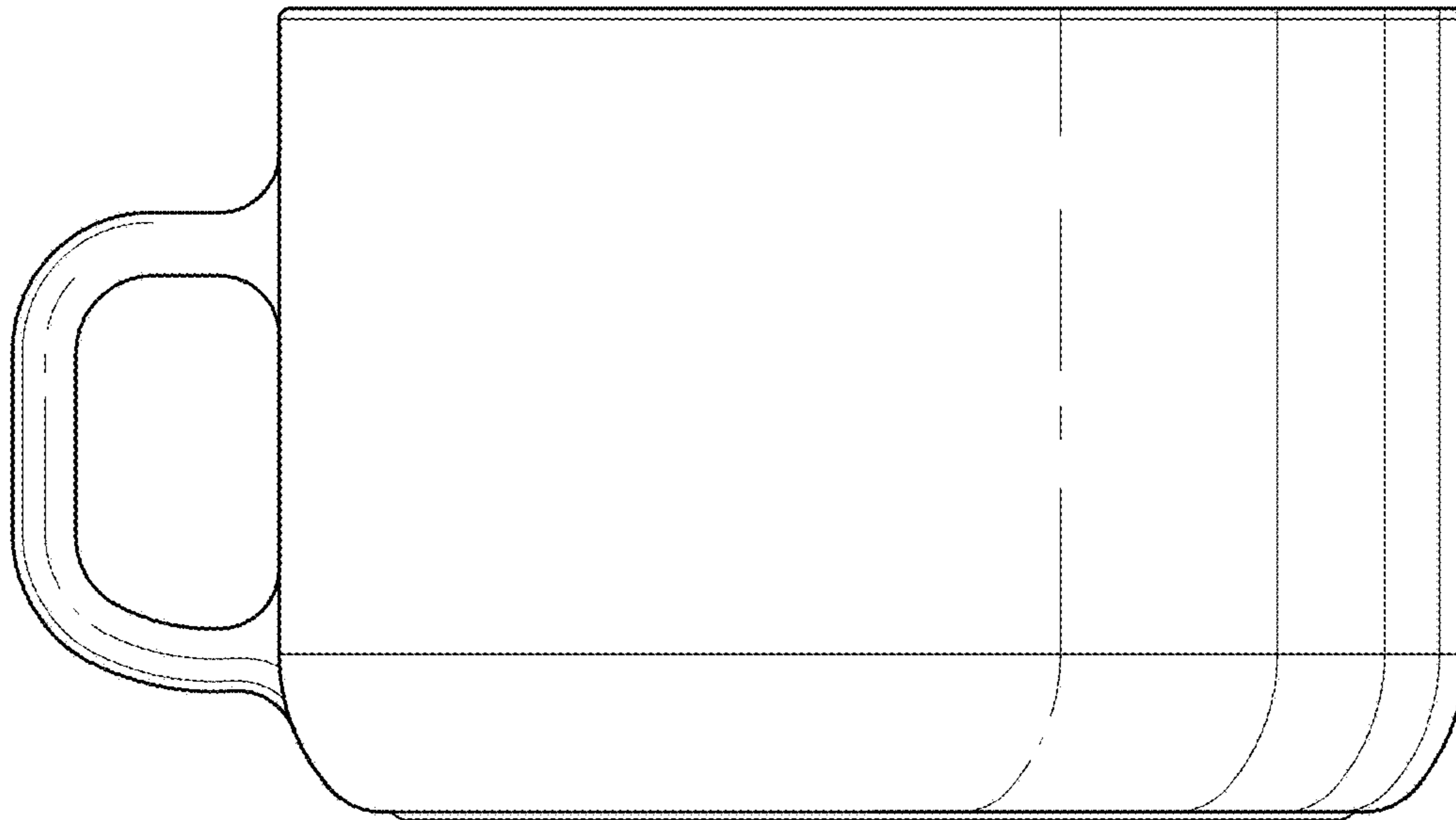
D290,324	S	*	6/1987	Ritman	.....	D7/536
D290,325	S	*	6/1987	Ritman	.....	D7/536
D302,634	S	*	8/1989	Segal	.....	D7/536
D319,755	S	*	9/1991	Guy	.....	D7/315
D320,907	S	*	10/1991	Unger	.....	D7/396.4
D322,753	S	*	12/1991	Sussman	.....	D11/152
5,409,126	A	*	4/1995	DeMars	.....	B65D 21/0219 206/499
D358,531	S	*	5/1995	Cousins	.....	D7/612
D379,740	S	*	6/1997	Miller	.....	D7/312
D396,384	S	*	7/1998	Slaten	.....	D14/218
D433,866	S	*	11/2000	Cautereels	.....	D7/316
D473,105	S	*	4/2003	Ayers	.....	D7/536
D524,107	S	*	7/2006	Ei-Saden	.....	D7/523
D552,931	S	*	10/2007	Bodum	.....	D7/536
D557,564	S	*	12/2007	Bodum	.....	D7/509
D565,901	S	*	4/2008	Edelstein	.....	D7/510
D568,667	S	*	5/2008	Appleton	.....	D7/317
D578,350	S	*	10/2008	Eide	.....	D7/509
D582,725	S	*	12/2008	Burns	.....	D7/533
D639,608	S	*	6/2011	Tohm, Sr.	.....	D7/536
D647,199	S	*	10/2011	Kroiss	.....	D24/123
D666,061	S	*	8/2012	Ying	.....	D7/629
D677,124	S	*	3/2013	Montgomery	.....	D7/360
D679,960	S	*	4/2013	Hopkins	.....	D7/629
D691,421	S	*	10/2013	Jones	.....	D7/536
D692,714	S	*	11/2013	Ruotsalainen	.....	D7/318
D728,314	S	*	5/2015	Carstensen	.....	D7/510
D755,570	S	*	5/2016	Weber	.....	D7/514
D765,473	S	*	9/2016	Beckman	.....	D7/509
D776,980	S	*	1/2017	Thun	.....	D7/533
D796,907	S	*	9/2017	Bronwasser	.....	D7/533
2004/0149763	A1	*	8/2004	Chen	.....	A47G 7/06 220/703

\* cited by examiner



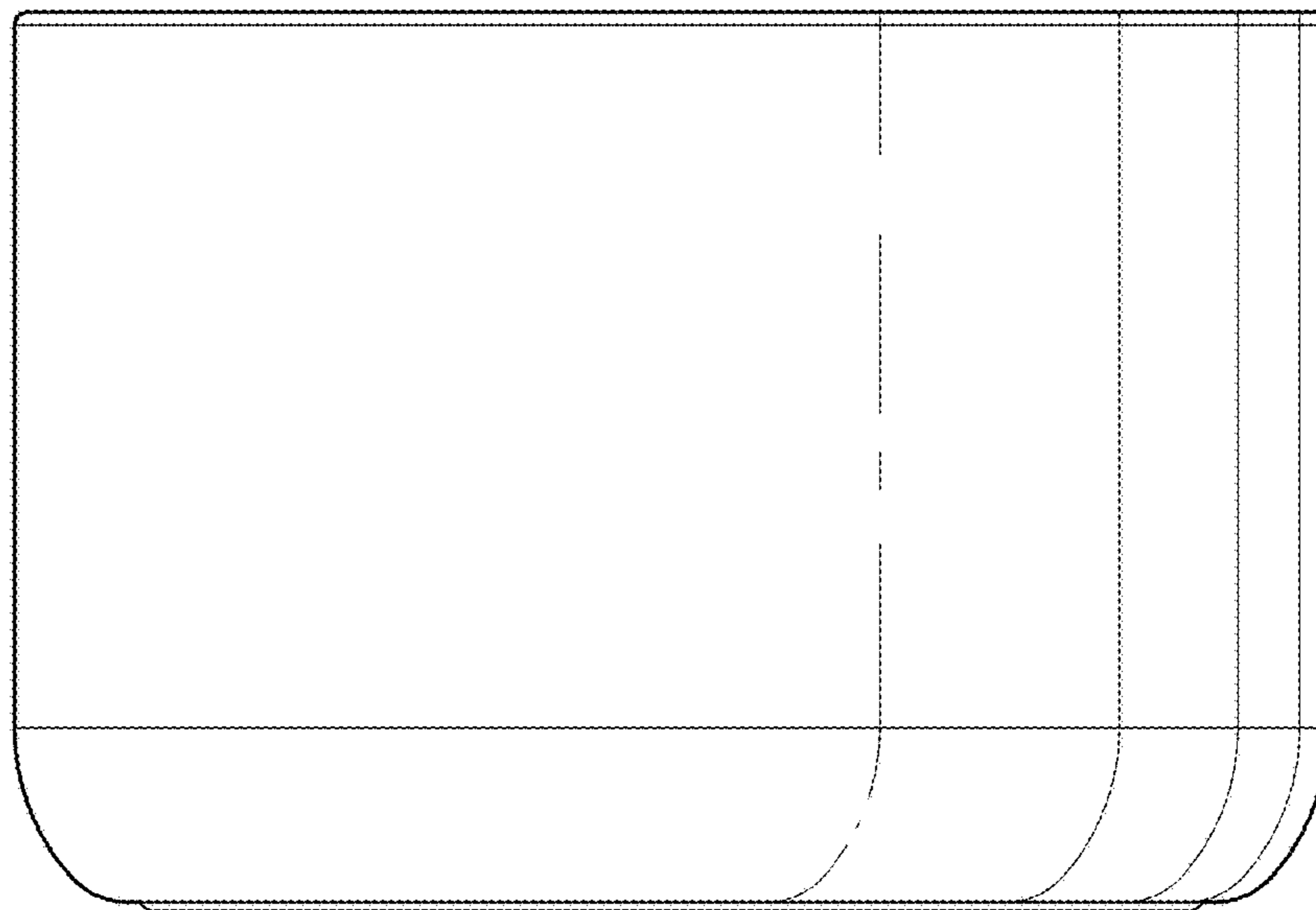
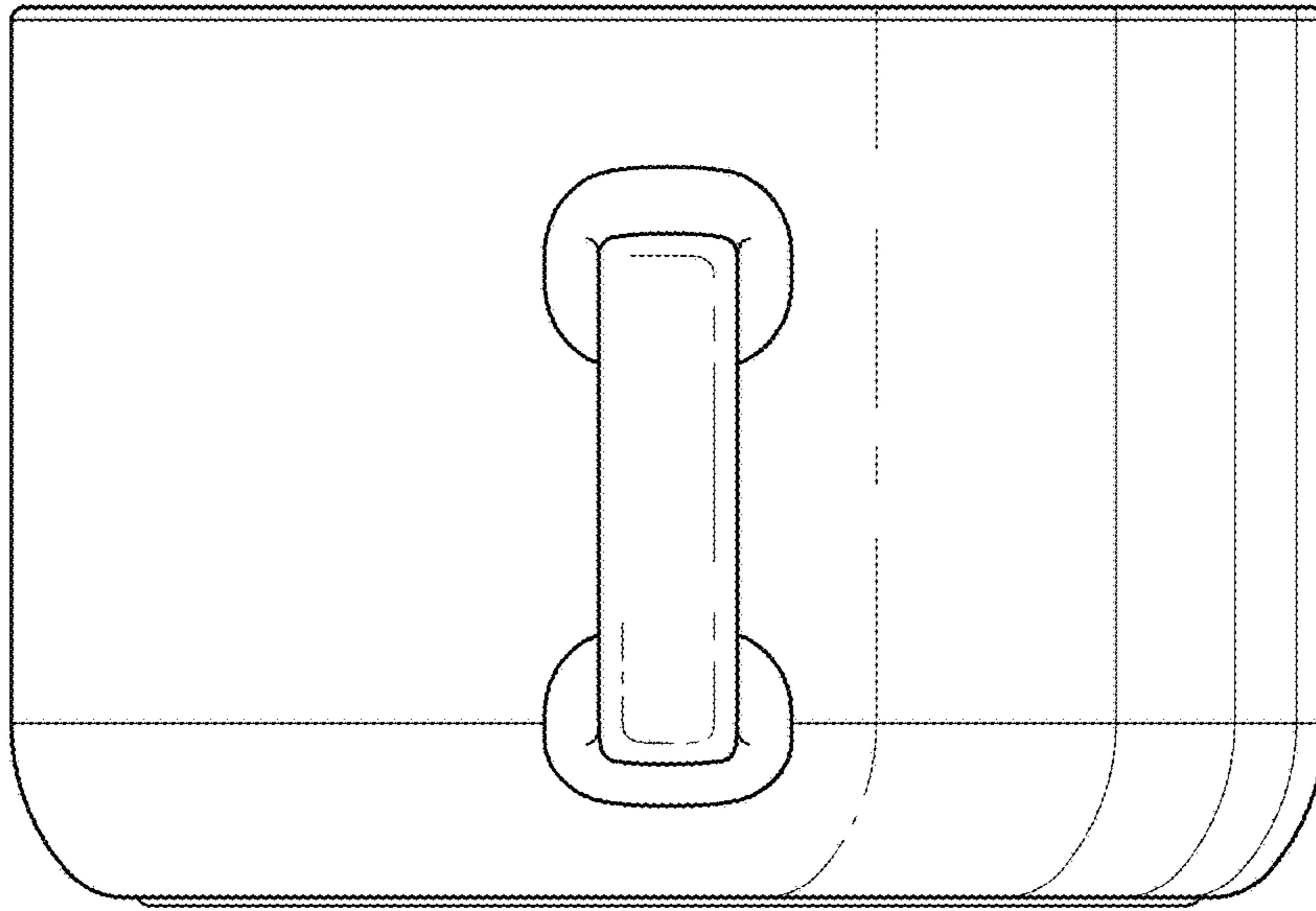
*FIG. 1*

*FIG. 2*



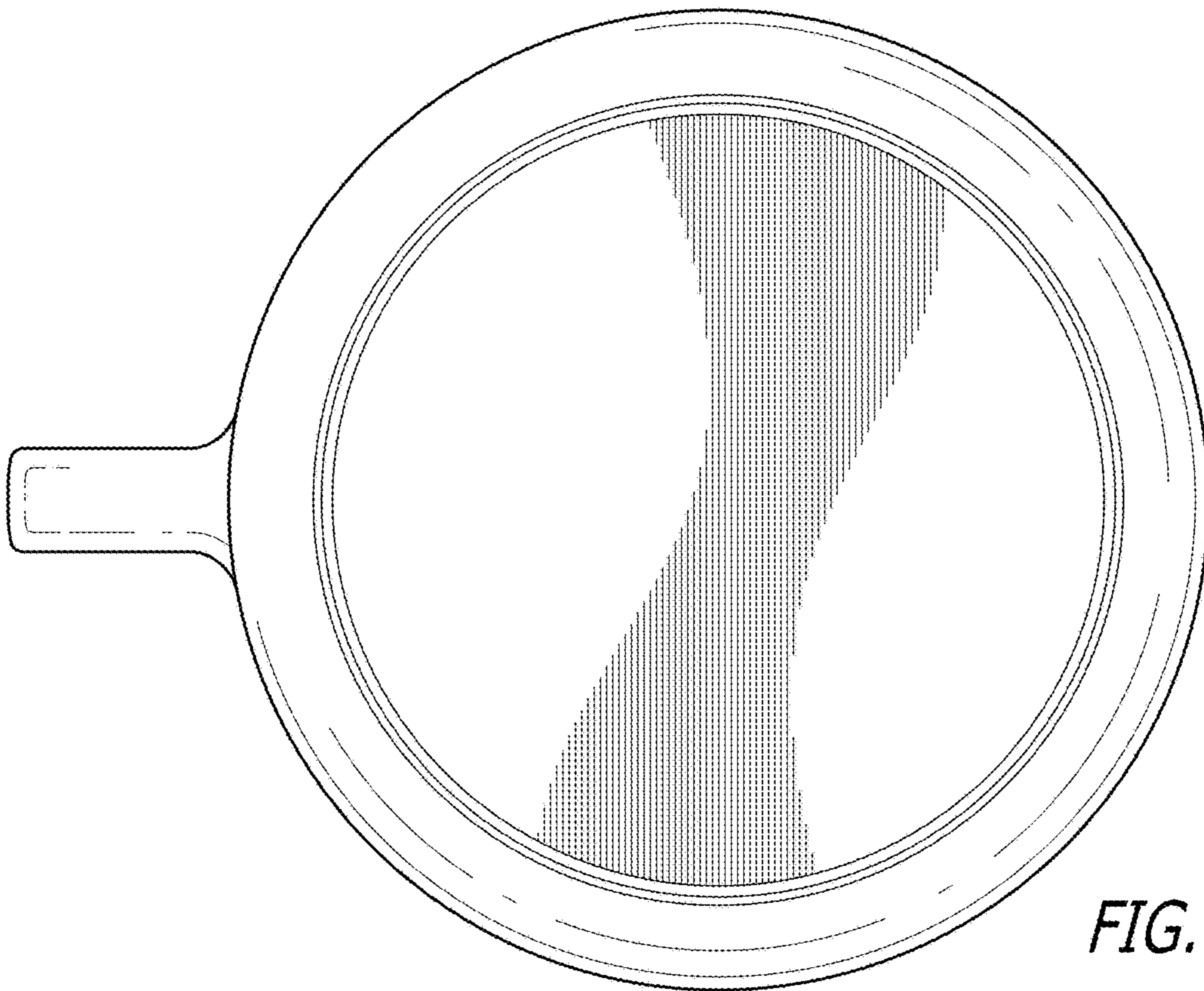
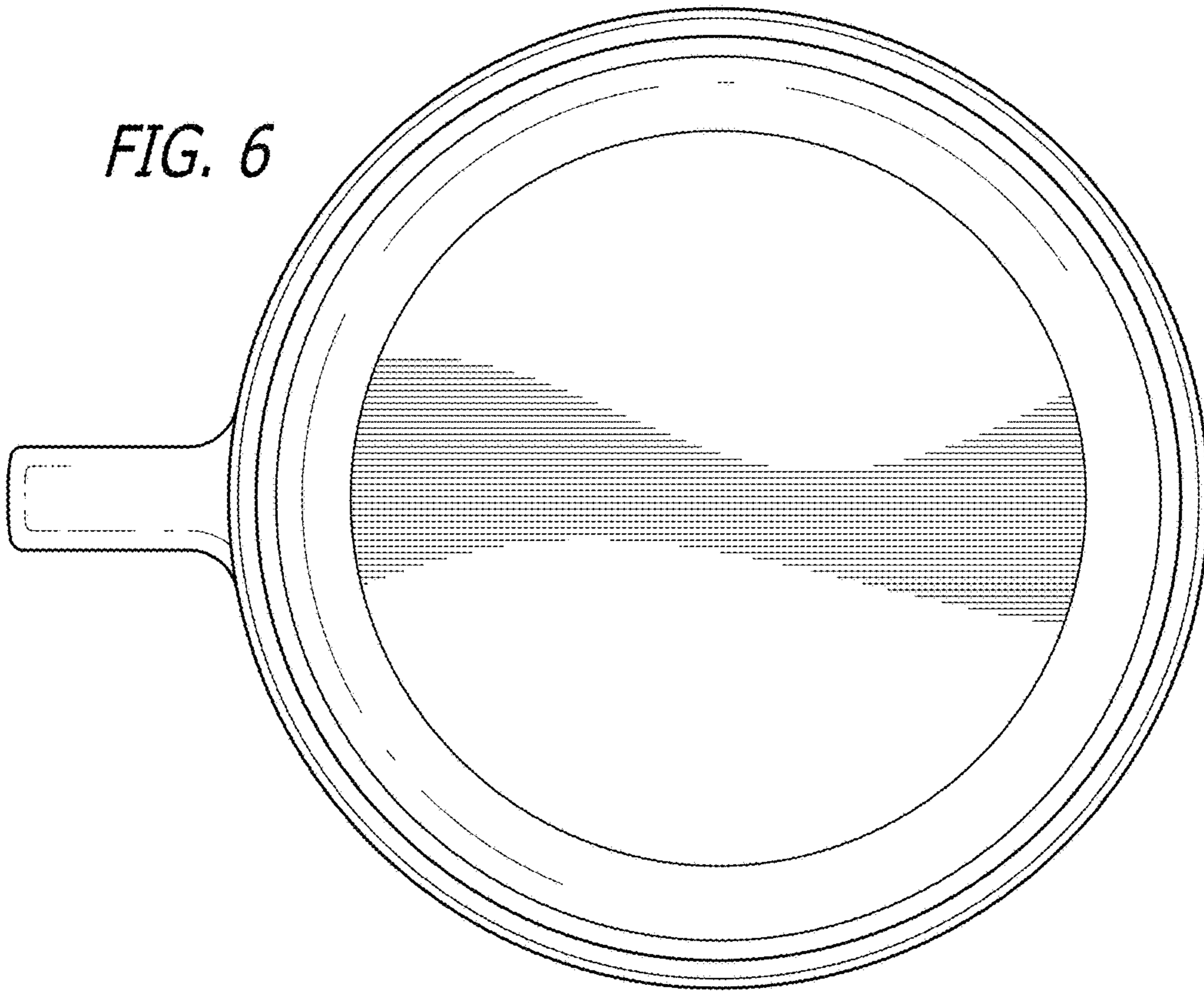
*FIG. 3*

*FIG. 4*

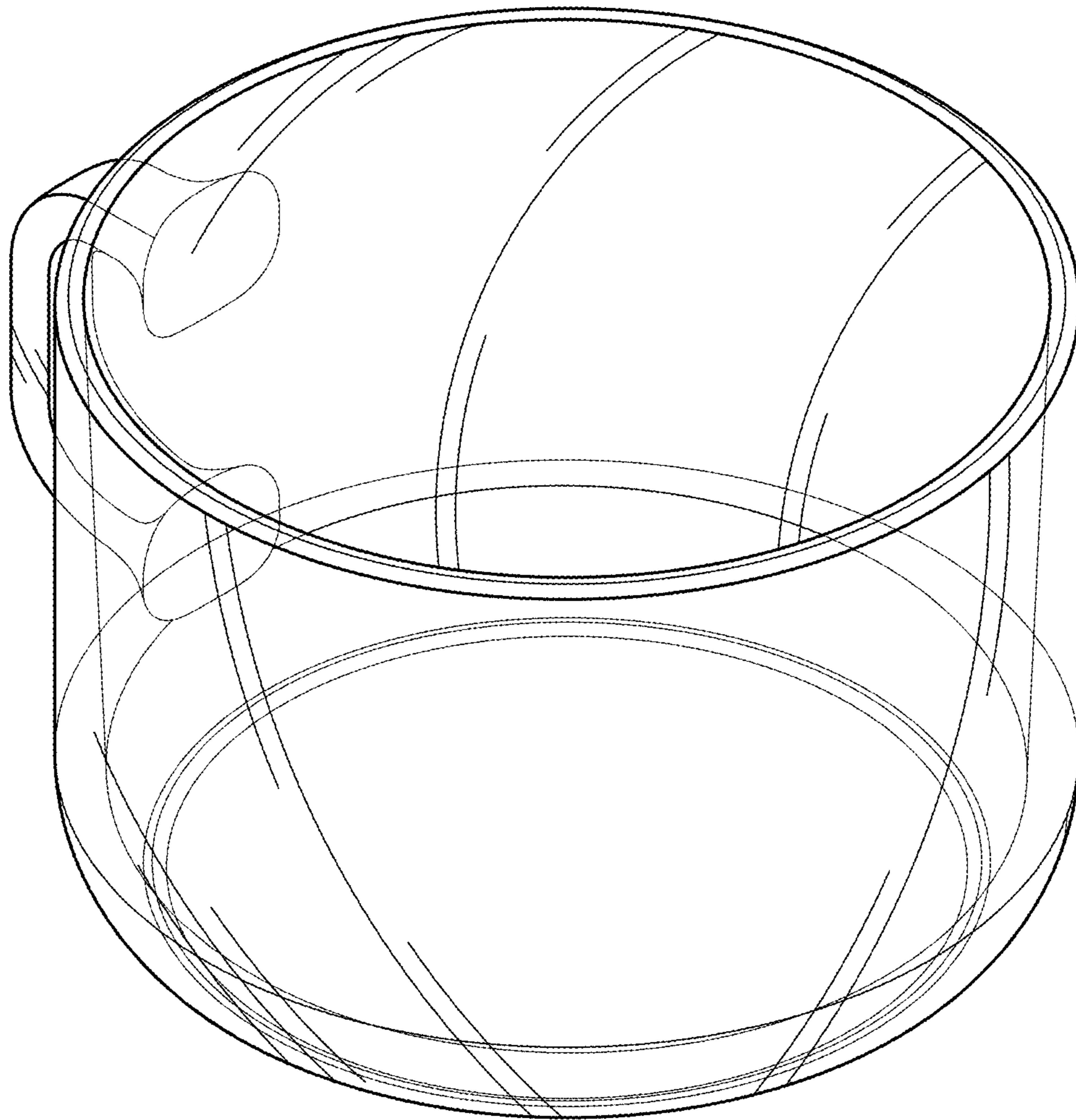


*FIG. 5*

*FIG. 6*

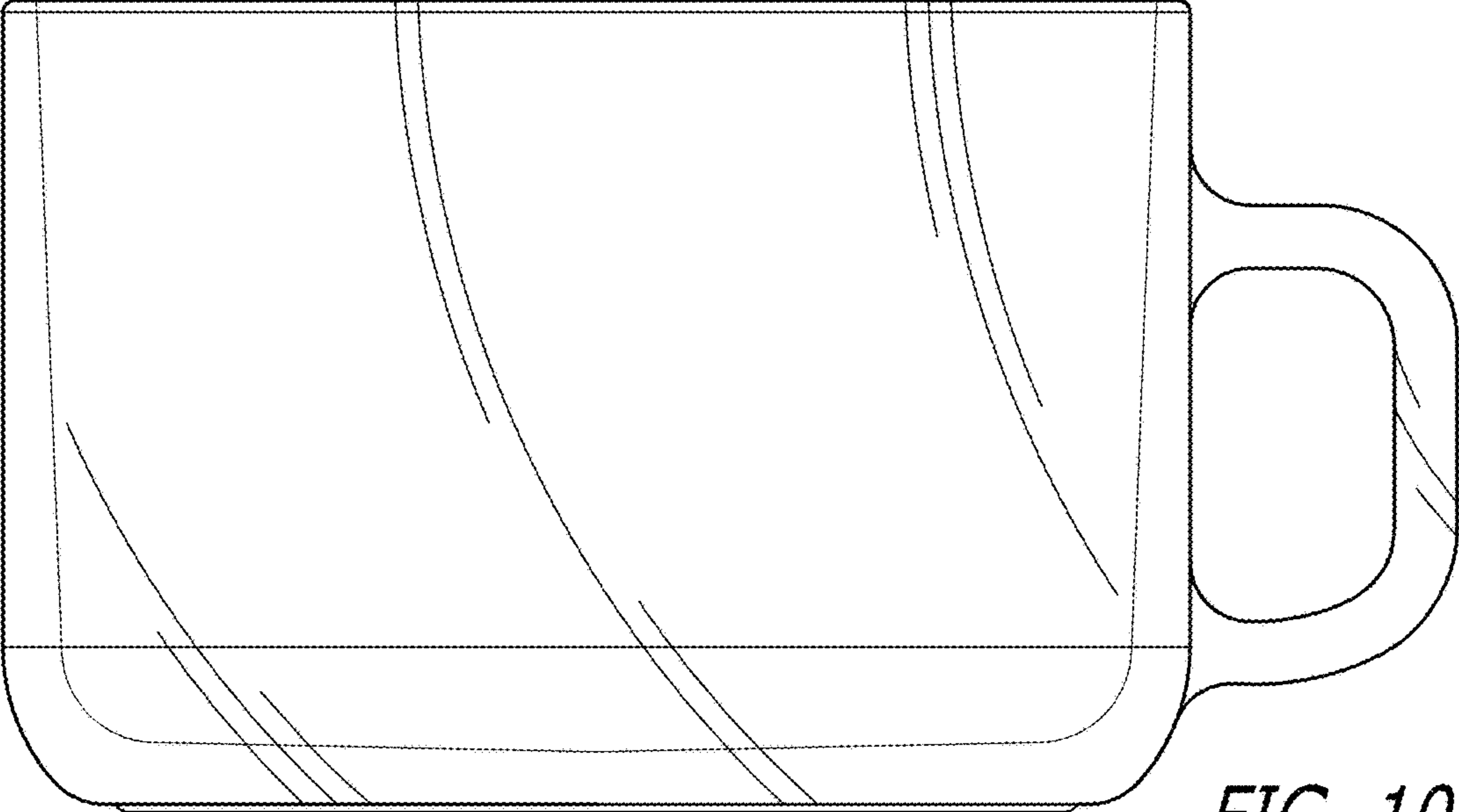
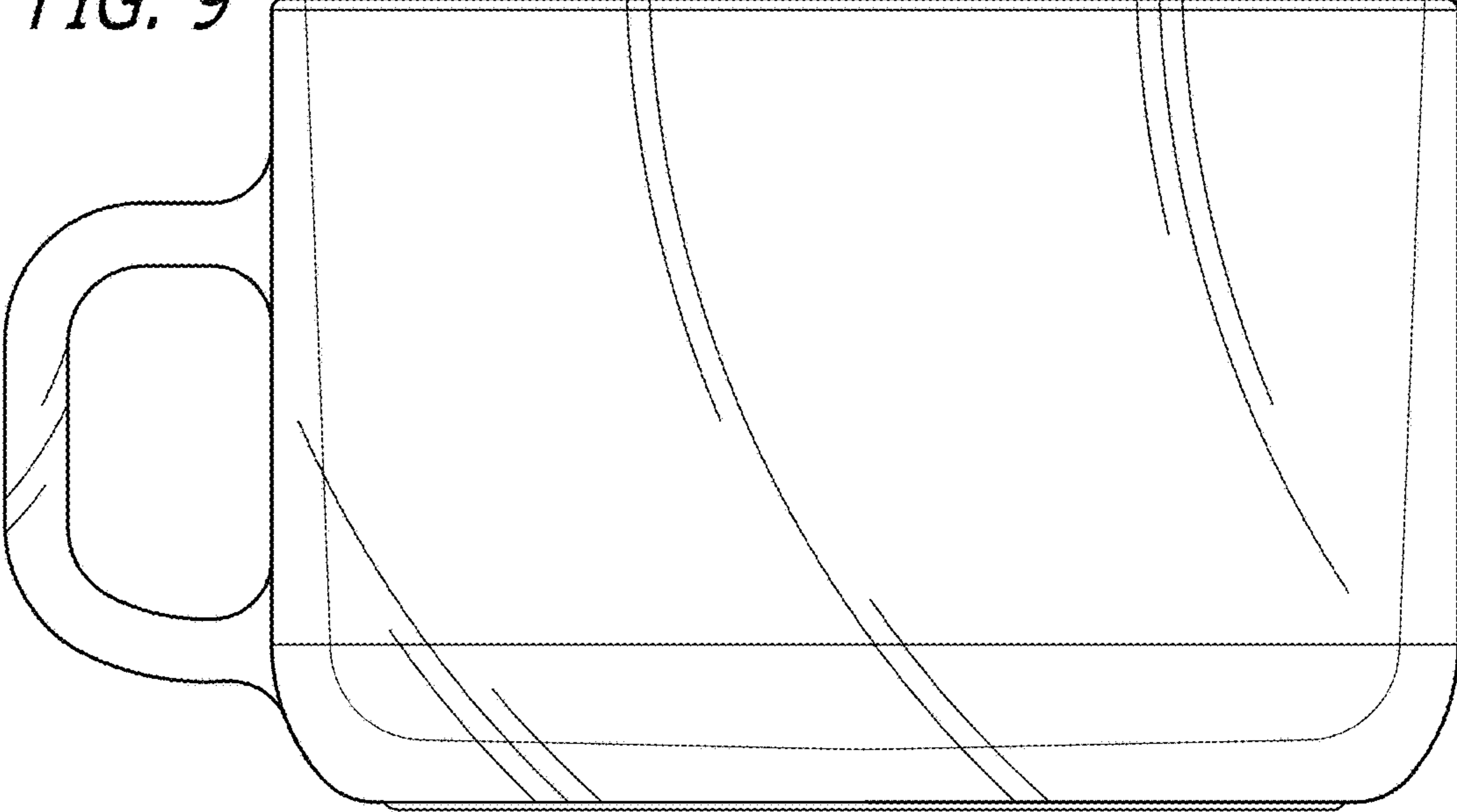


*FIG. 7*



*FIG. 8*

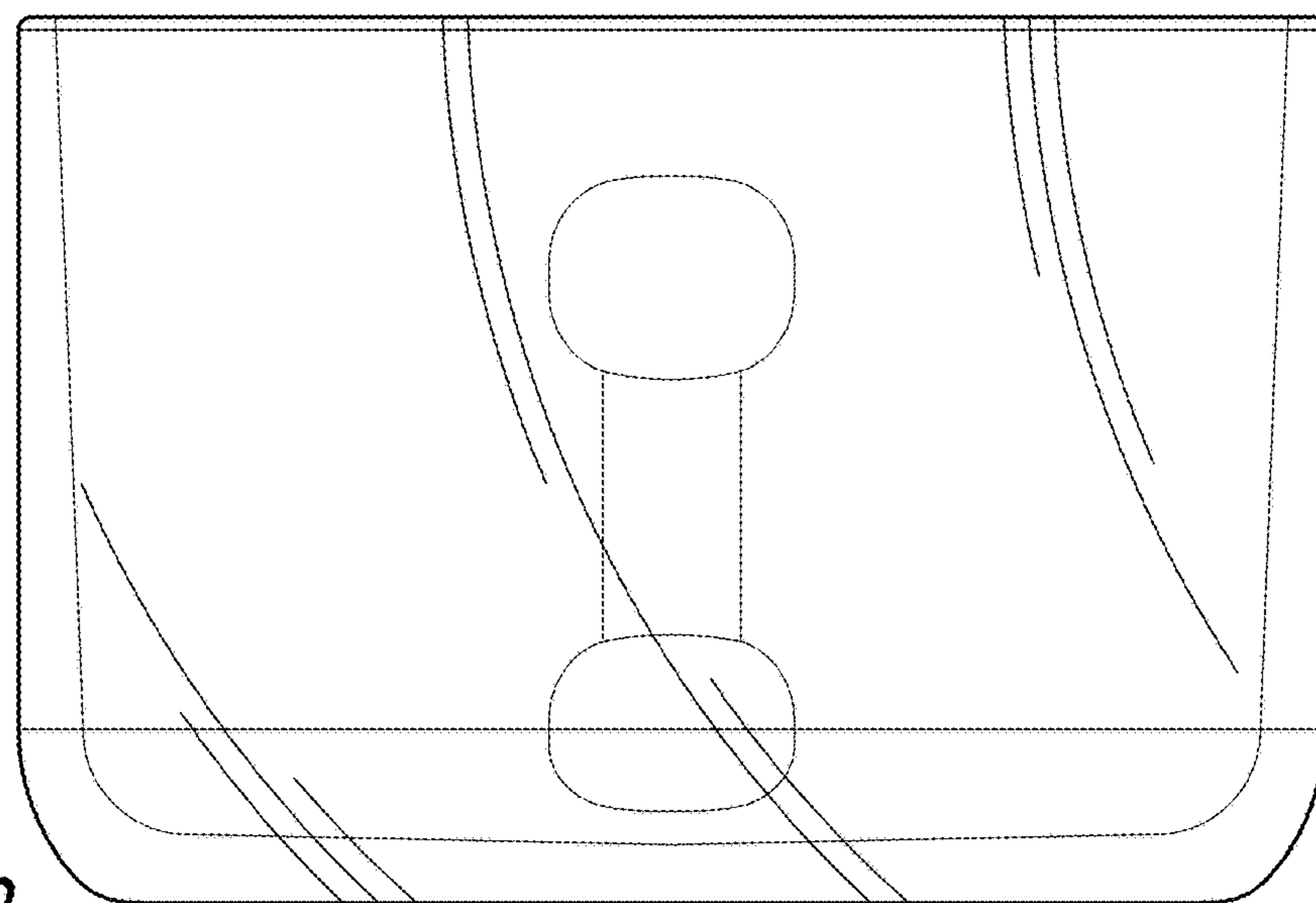
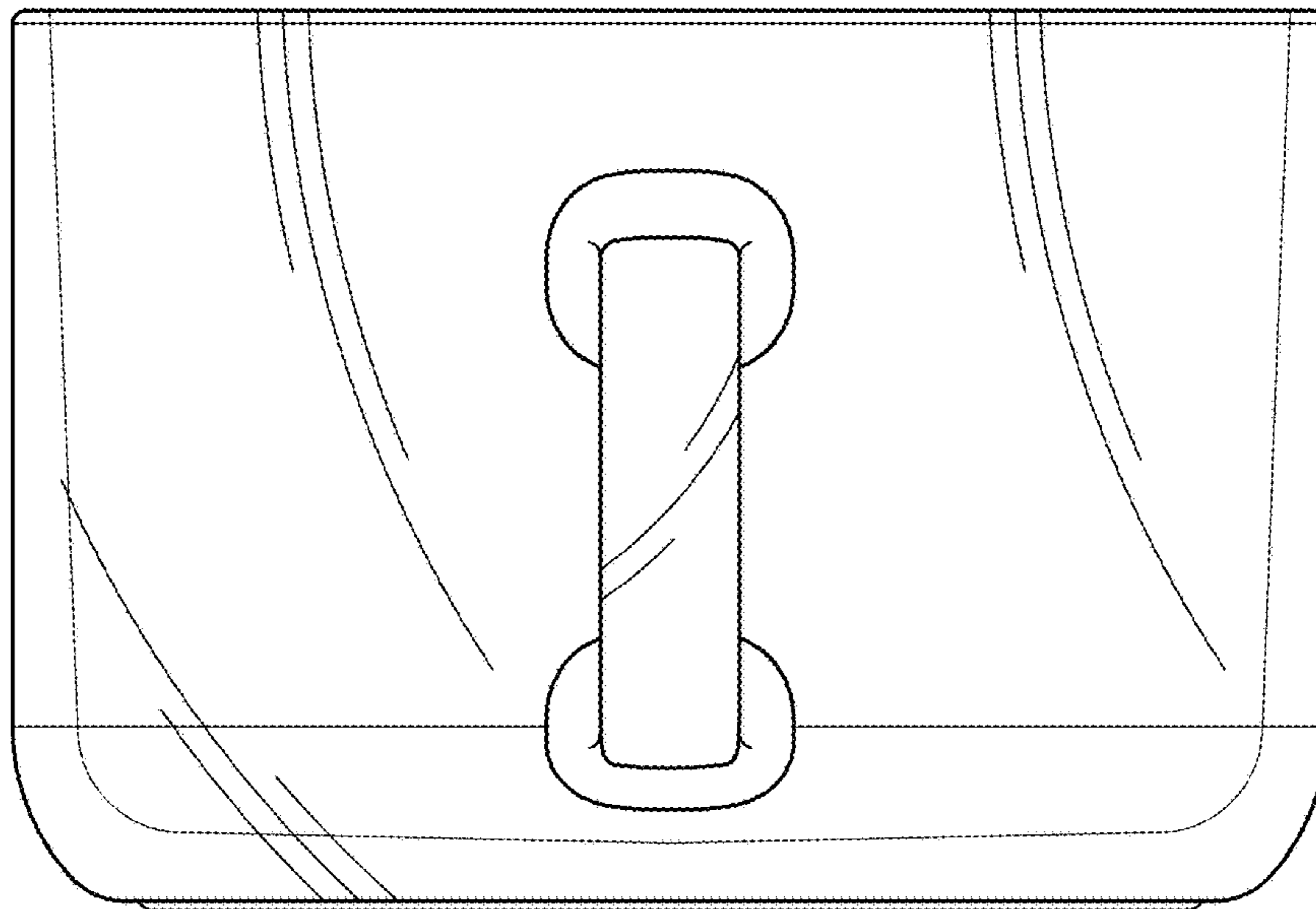
*FIG. 9*



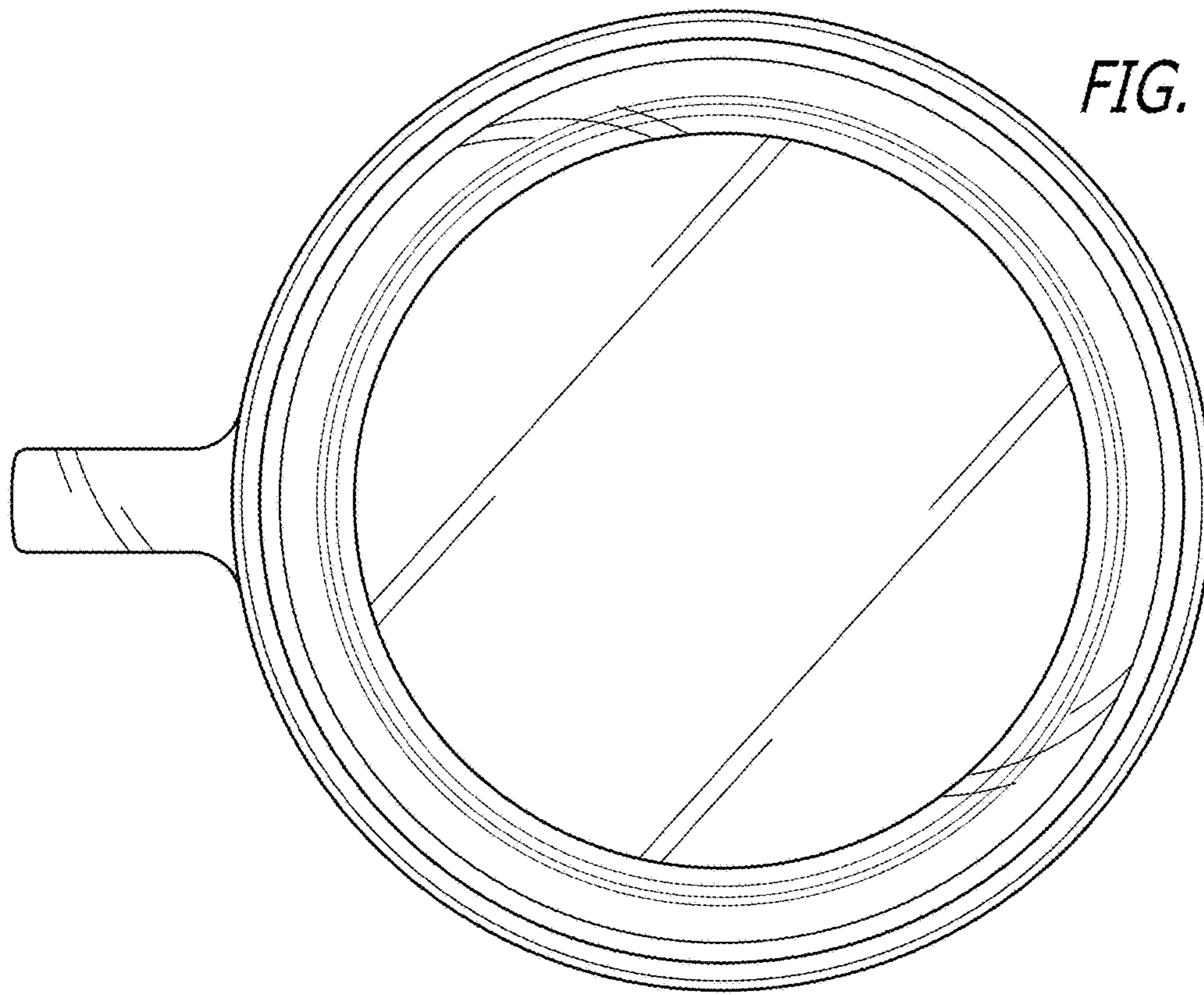
*FIG. 10*



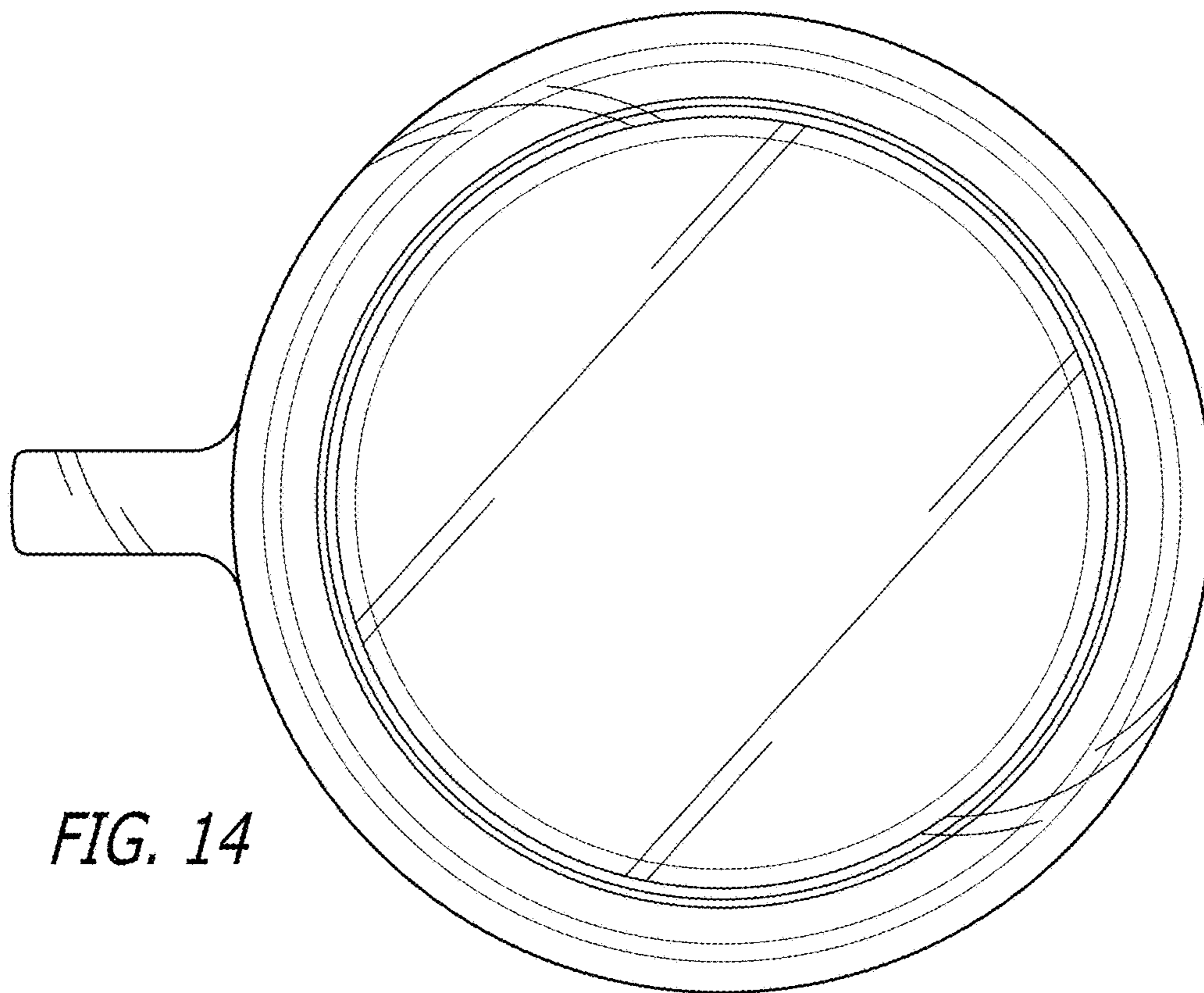
*FIG. 11*



*FIG. 12*



*FIG. 13*



*FIG. 14*