



US00D813606S

(12) **United States Design Patent**  
**O’Nan et al.**

(10) **Patent No.:** **US D813,606 S**  
(45) **Date of Patent:** **\*\* Mar. 27, 2018**

(54) **PORTION OF A DRINK CUP**  
(71) Applicant: **Berry Plastics Corporation**,  
Evansville, IN (US)  
(72) Inventors: **David Y. O’Nan**, Henderson, KY (US);  
**Brad A. Ruminer**, Evansville, IN (US);  
**Jeffrey A. Mann**, Evansville, IN (US)  
(73) Assignee: **Berry Plastics Corporation**,  
Evansville, IN (US)  
(\*\*) Term: **15 Years**  
(21) Appl. No.: **29/595,450**  
(22) Filed: **Feb. 28, 2017**  
(51) **LOC (11) Cl.** ..... **07-01**  
(52) **U.S. Cl.**  
USPC ..... **D7/532; D7/523; D7/509**  
(58) **Field of Classification Search**  
USPC ..... **D7/507, 509, 510, 511, 523, 527, 529,**  
**D7/531, 532, 533, 534, 535, 536, 608,**  
(Continued)

(56) **References Cited**  
**U.S. PATENT DOCUMENTS**  
924,969 A \* 6/1909 De Wolf ..... G01F 19/002  
73/426  
D272,794 S \* 2/1984 Dart ..... D7/532  
(Continued)

**OTHER PUBLICATIONS**  
The Society of Plastics Industry, Inc., Glossary of Rigid Plastic  
Container and Lid Terminology, Technical Bulletin, May 1990, 7  
pages.

*Primary Examiner* — Marianne Pandozzi  
*Assistant Examiner* — Jae Liang  
(74) *Attorney, Agent, or Firm* — Barnes & Thornburg  
LLP

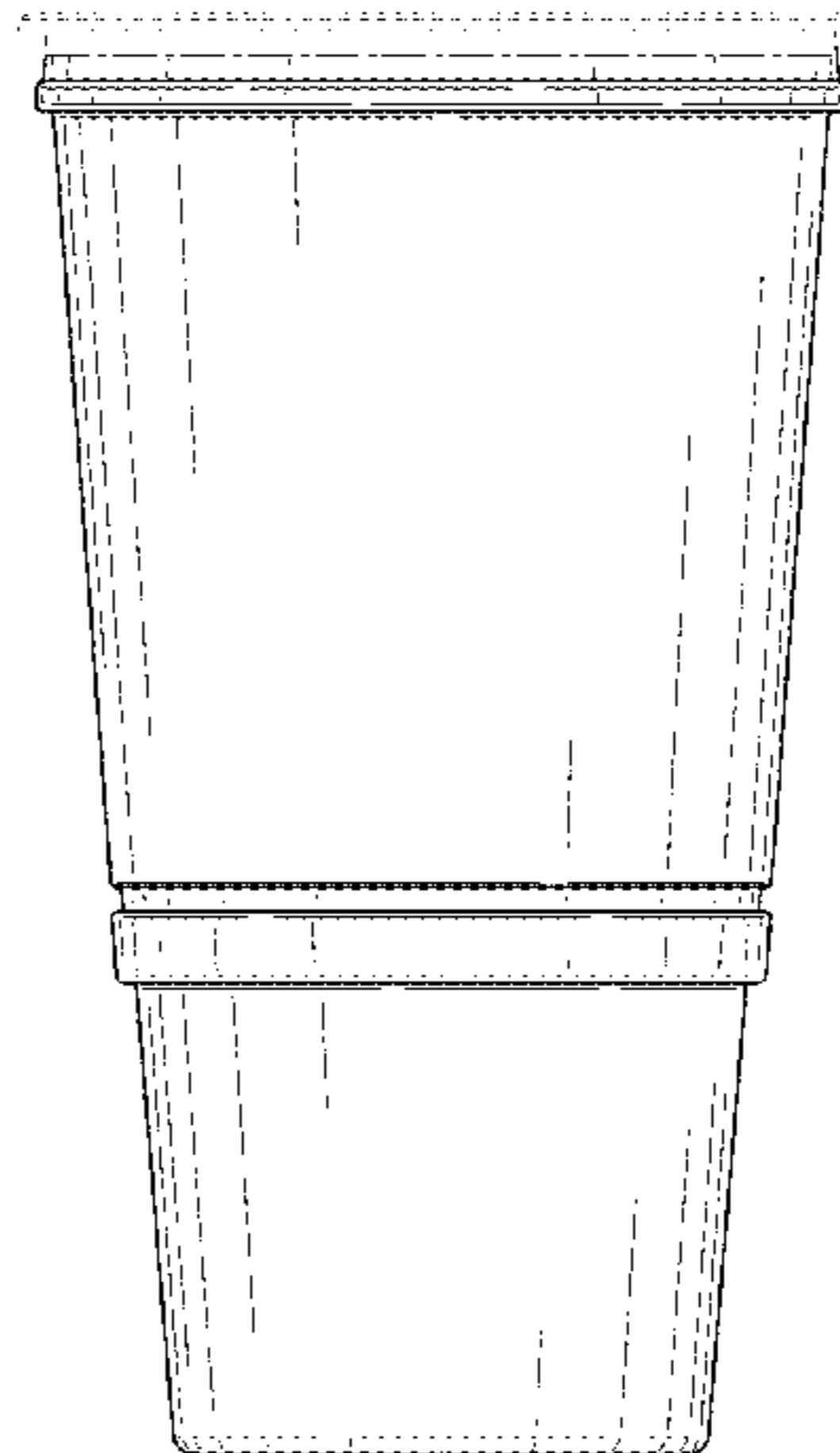
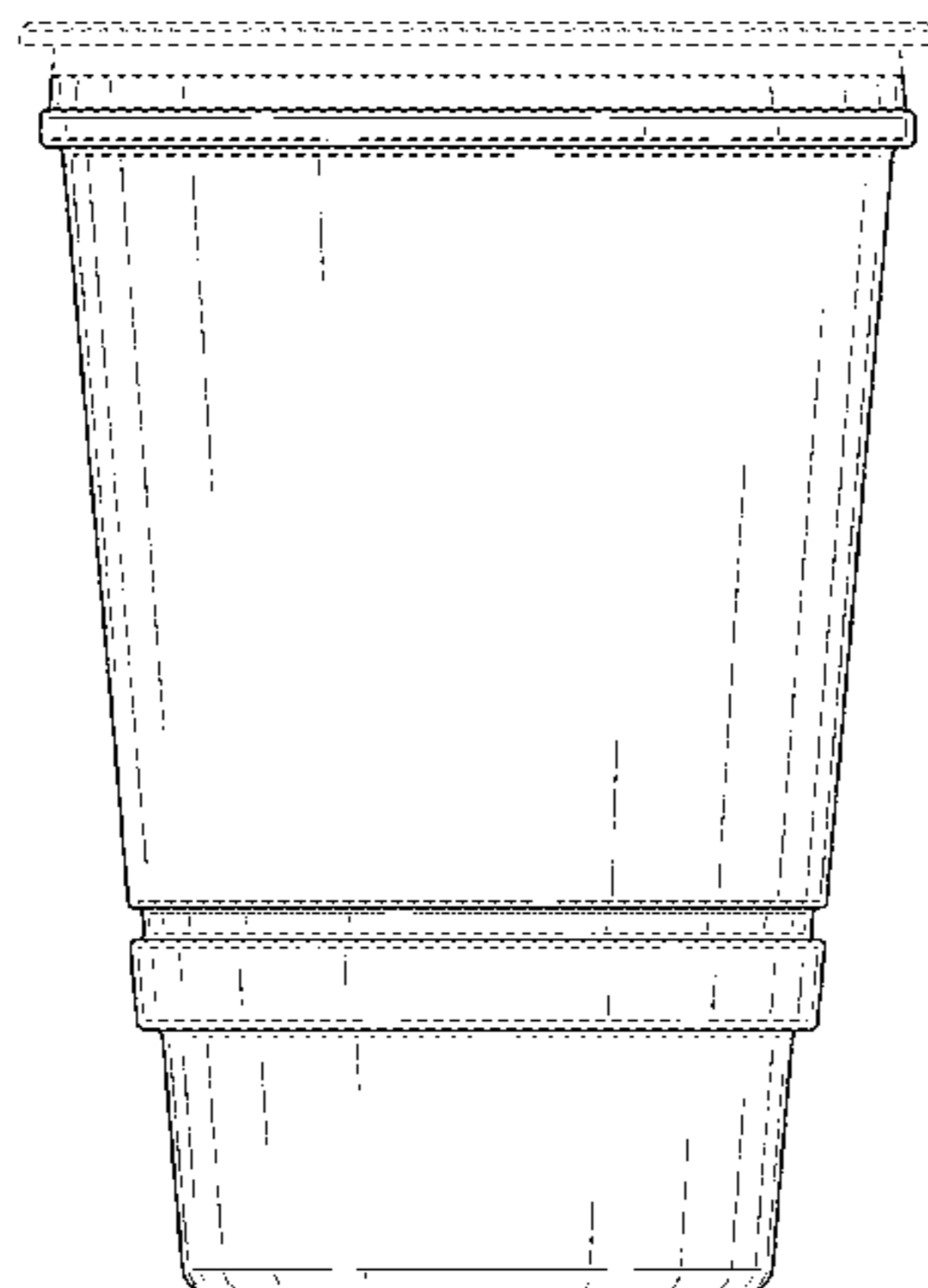
(57) **CLAIM**  
The ornamental design for a portion of a drink cup, as shown  
and described.

**DESCRIPTION**

FIG. 1 is a perspective view of a first embodiment of a  
portion of a drink cup showing our new design;

FIG. 2 is a front view of the portion of the drink cup of FIG.  
1;  
FIG. 3 is a rear view of the portion of the drink cup of FIG.  
1;  
FIG. 4 is a right side view of the portion of the drink cup of  
FIG. 1;  
FIG. 5 is a left side view of the portion of the drink cup of  
FIG. 1;  
FIG. 6 is a top plan view of the portion of the drink cup of  
FIG. 1;  
FIG. 7 is a bottom view of the portion of the drink cup of  
FIG. 1;  
FIG. 8 is a perspective view of a second embodiment of a  
portion of a drink cup showing our new design;  
FIG. 9 is a front view of the portion of the drink cup of FIG.  
8;  
FIG. 10 is a rear view of the portion of the drink cup of FIG.  
8;  
FIG. 11 is a right side view of the portion of the drink cup  
of FIG. 8;  
FIG. 12 is a left side view of the portion of the drink cup of  
FIG. 8;  
FIG. 13 is a top plan view of the portion of the drink cup of  
FIG. 8;  
FIG. 14 is a bottom view of the portion of the drink cup of  
FIG. 8;  
FIG. 15 is a perspective view of a third embodiment of a  
portion of a drink cup showing our new design;  
FIG. 16 is a front view of the portion of the drink cup of FIG.  
15;  
FIG. 17 is a rear view of the portion of the drink cup of FIG.  
15;  
FIG. 18 is a right side view of the portion of the drink cup  
of FIG. 15;  
FIG. 19 is a left side view of the portion of the drink cup of  
FIG. 15;  
FIG. 20 is a top plan view of the portion of the drink cup of  
FIG. 15; and,  
FIG. 21 is a bottom view of the portion of the drink cup of  
FIG. 15.  
The broken lines in the drawing depict environmental sub-  
ject matter only and form no part of the claimed design.

**1 Claim, 12 Drawing Sheets**



# US D813,606 S

Page 2

(58) **Field of Classification Search**

USPC ..... D7/300, 300.1, 300.2, 552.1, 319, 393,  
D7/394, 387, 391, 392.1, 396.2; D34/39;  
D9/503, 907, 531, 435, 436, 454, 449,  
D9/443; 220/592.16, 592.17, 495.03,  
220/705-710  
CPC ..... A47G 19/22; A47G 19/2205; A47G  
19/2222; A45F 3/16; A45F 3/20; B67D  
7/06; B67D 1/0004; B65D 25/14  
See application file for complete search history.

(56)

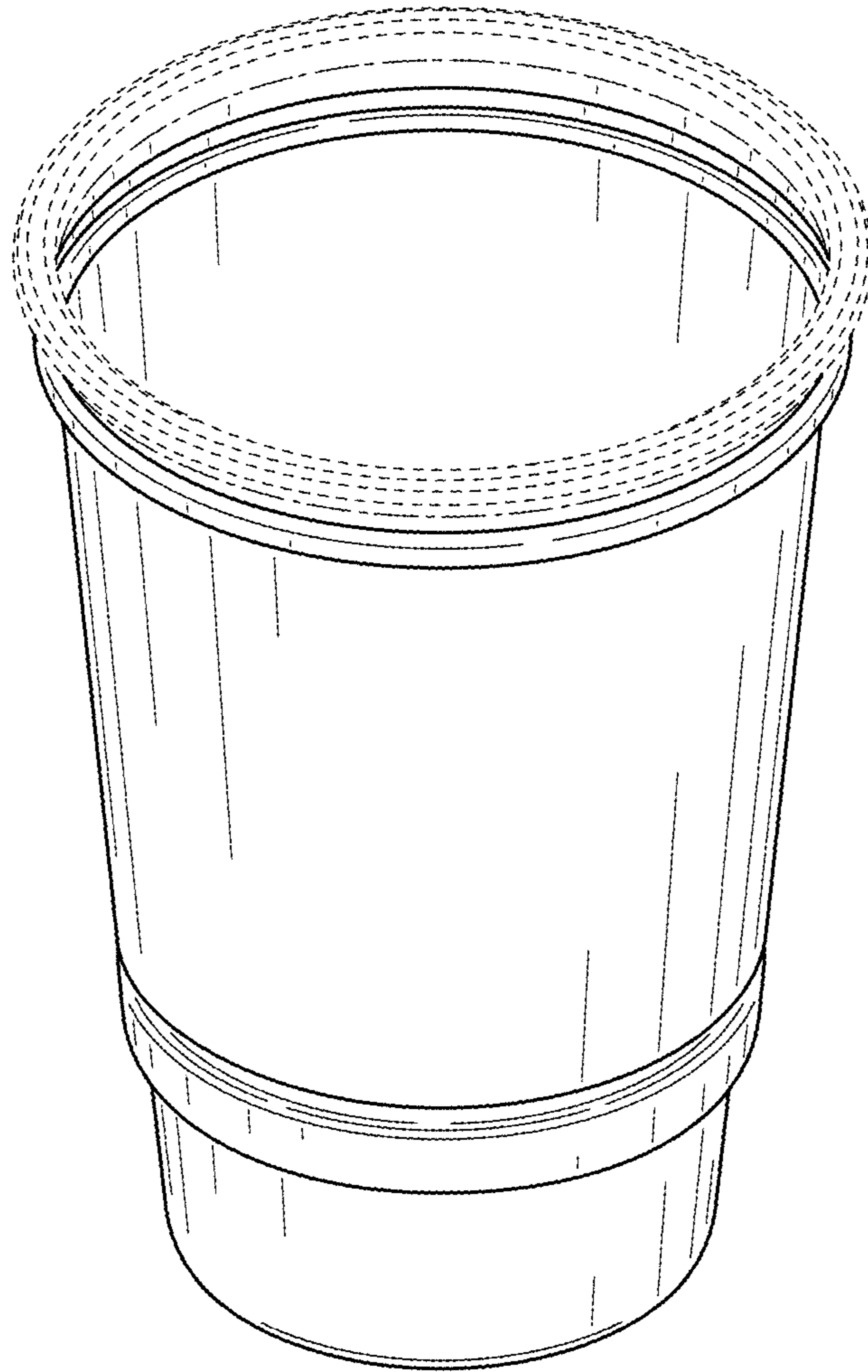
**References Cited**

U.S. PATENT DOCUMENTS

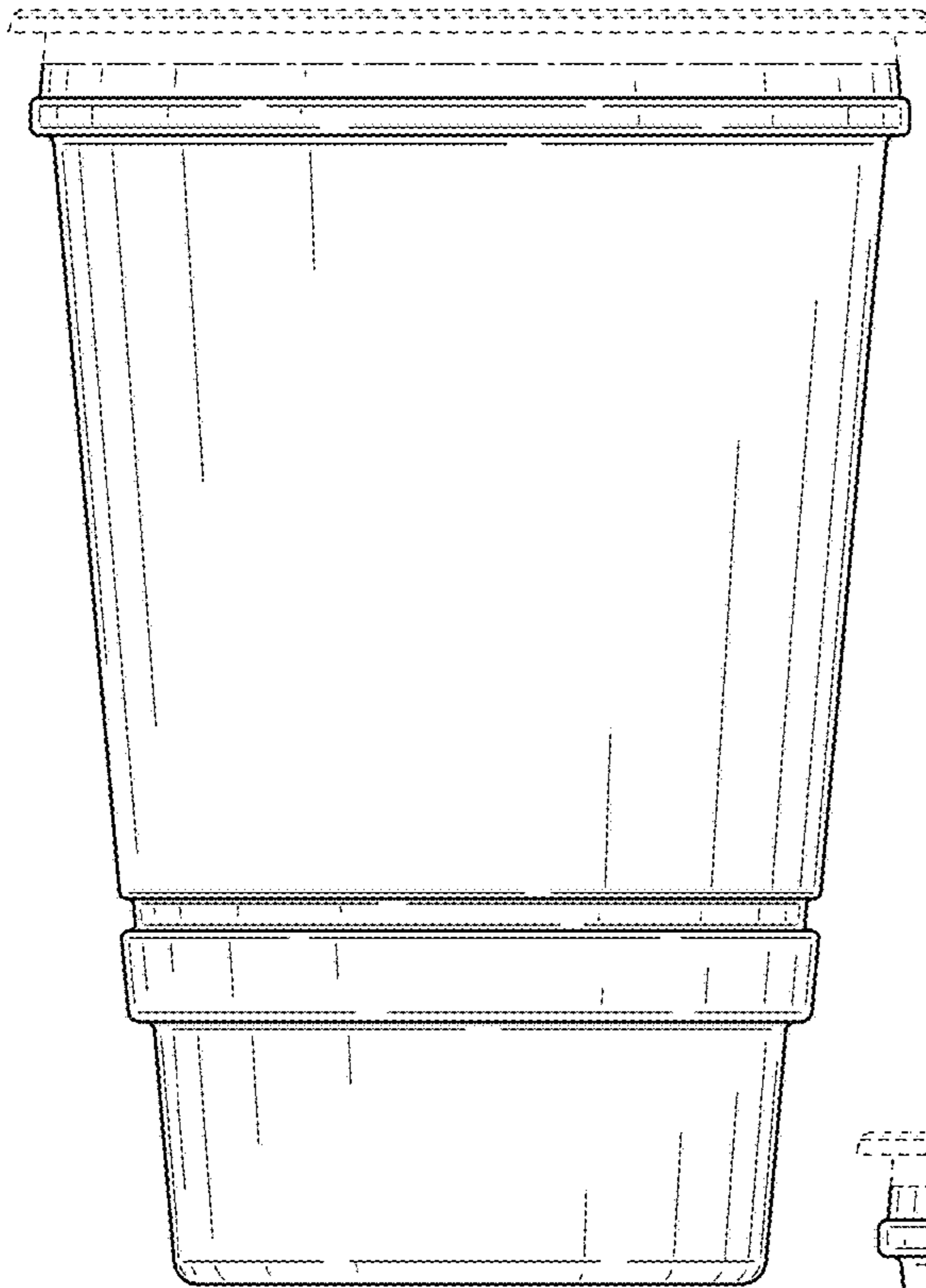
6,047,849 A 4/2000 Schwegman  
D472,425 S \* 4/2003 Hurlbut ..... D7/510  
D530,375 S \* 10/2006 McKnight ..... D19/85  
D601,852 S \* 10/2009 Newman ..... D7/523  
D644,066 S \* 8/2011 Hotell ..... D7/523

D658,443 S \* 5/2012 Chiu ..... D7/507  
D717,606 S \* 11/2014 Kristinik ..... D7/532  
D721,887 S \* 2/2015 Romley ..... D3/211  
D732,343 S \* 6/2015 Romley ..... D7/532  
D772,013 S \* 11/2016 O'Connor ..... D7/509  
D795,643 S \* 8/2017 Barlow ..... D7/510  
D797,510 S \* 9/2017 Ke ..... D7/510  
2012/0205371 A1\* 8/2012 Lee ..... A45F 3/20  
220/8  
2012/0247998 A1\* 10/2012 Wahl ..... B65D 1/265  
206/459.5  
2013/0334233 A1\* 12/2013 Vandenlangenberg .....  
B65D 81/3876  
220/592.16  
2015/0041478 A1\* 2/2015 Abrams ..... A47J 41/0022  
220/592.17  
2015/0374152 A1\* 12/2015 Anshu ..... A47G 19/22  
220/660  
2017/0251852 A1\* 9/2017 O'Nan ..... A47G 19/23

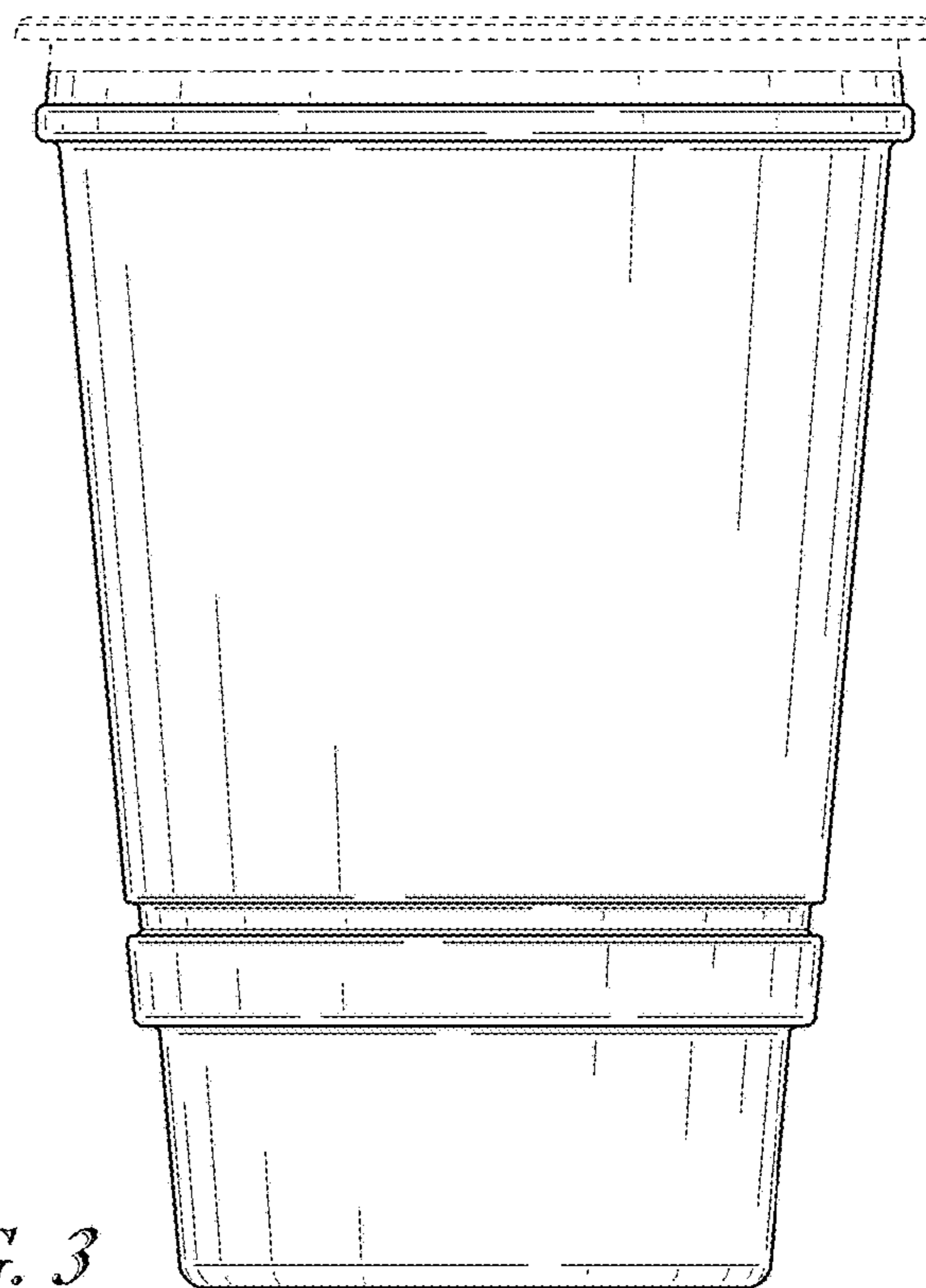
\* cited by examiner



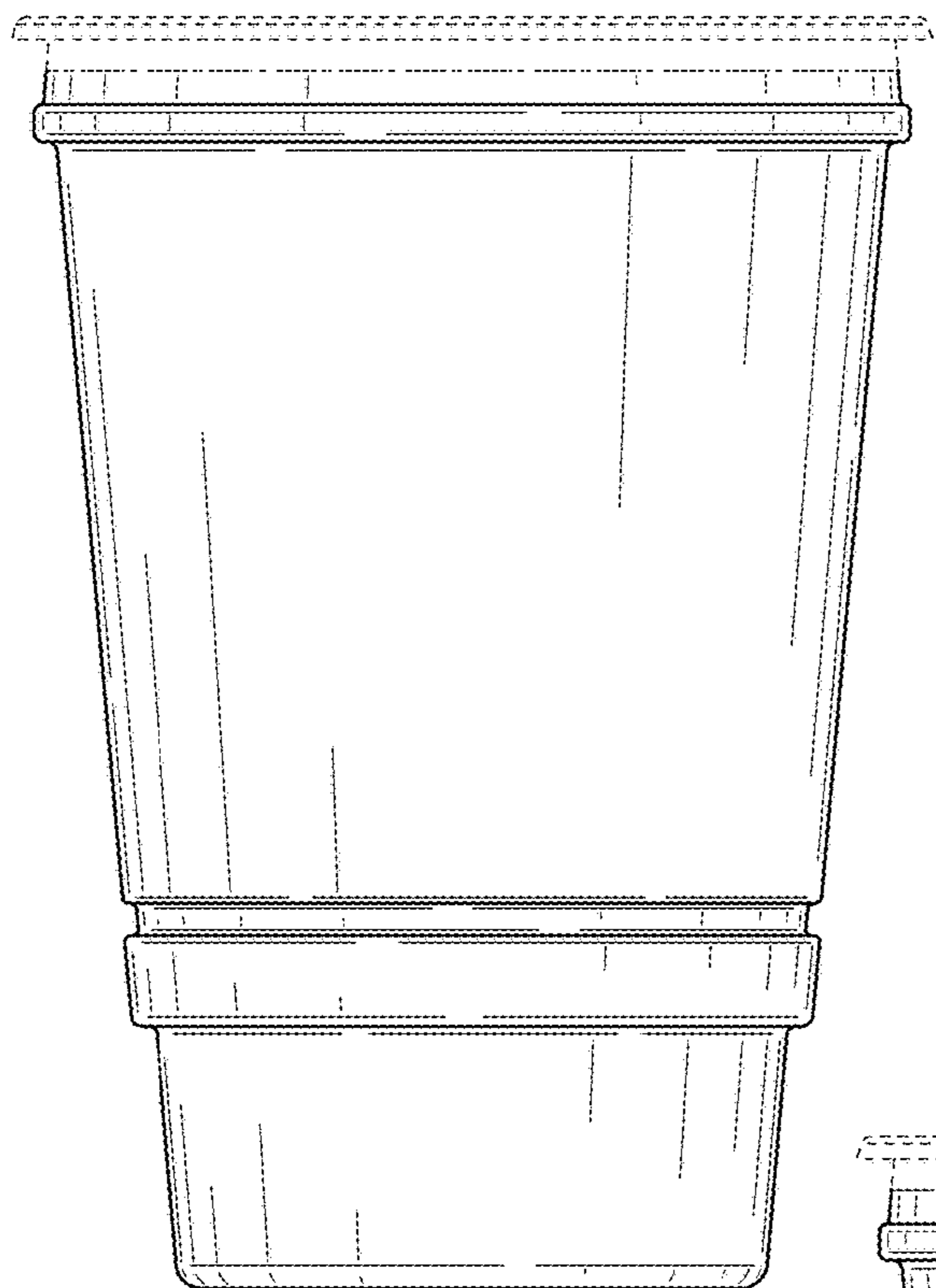
*FIG. 1*



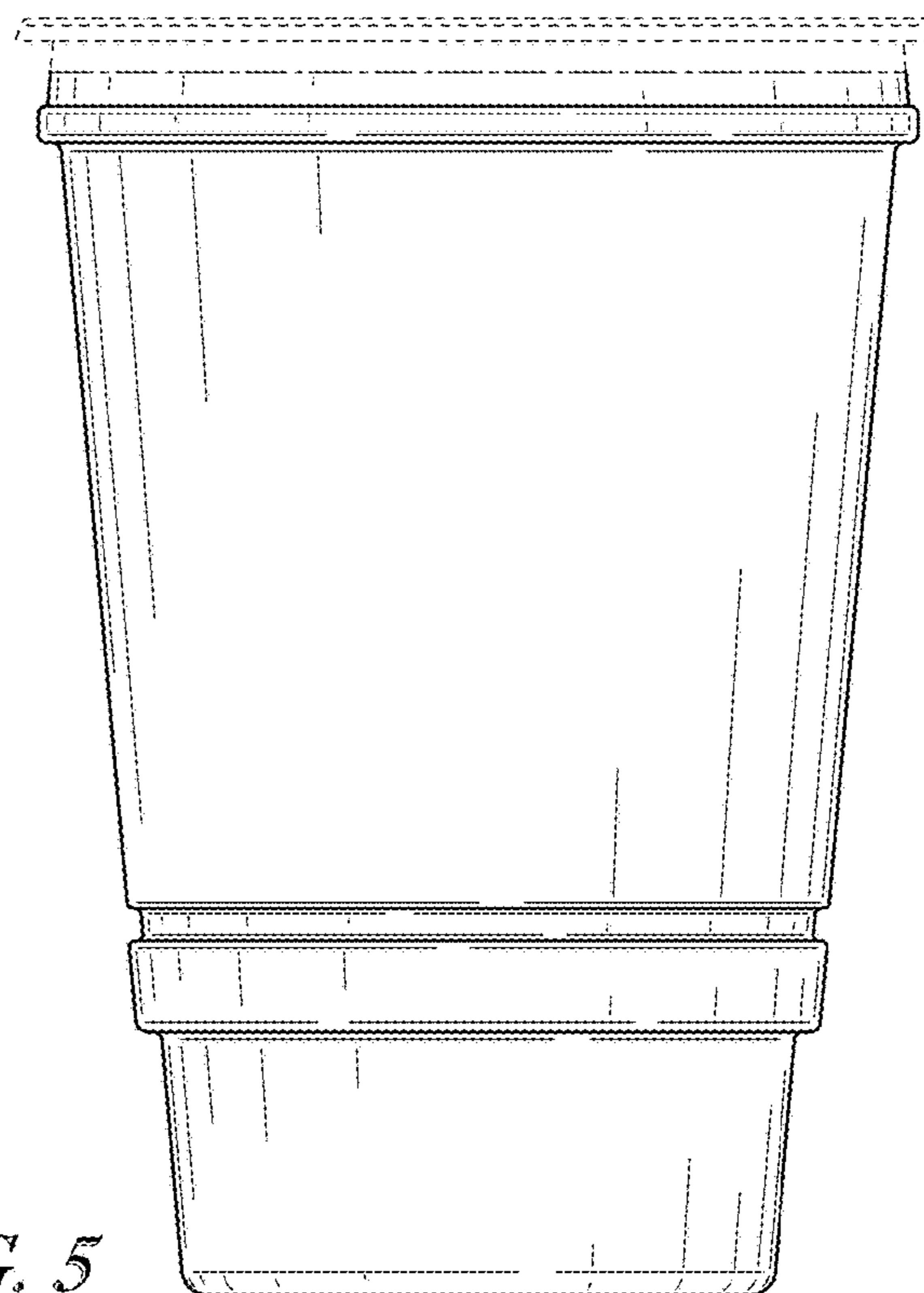
*FIG. 2*



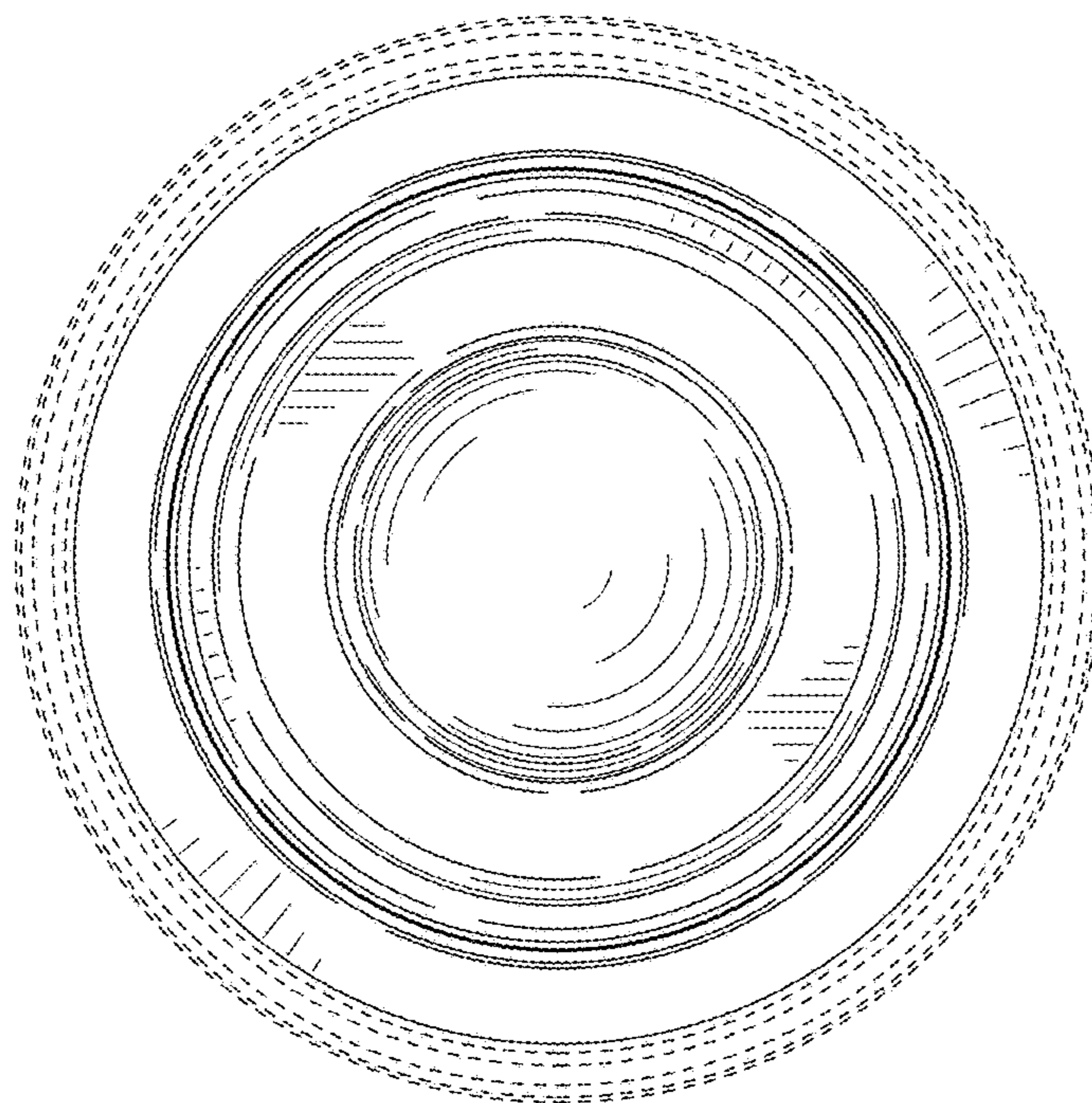
*FIG. 3*



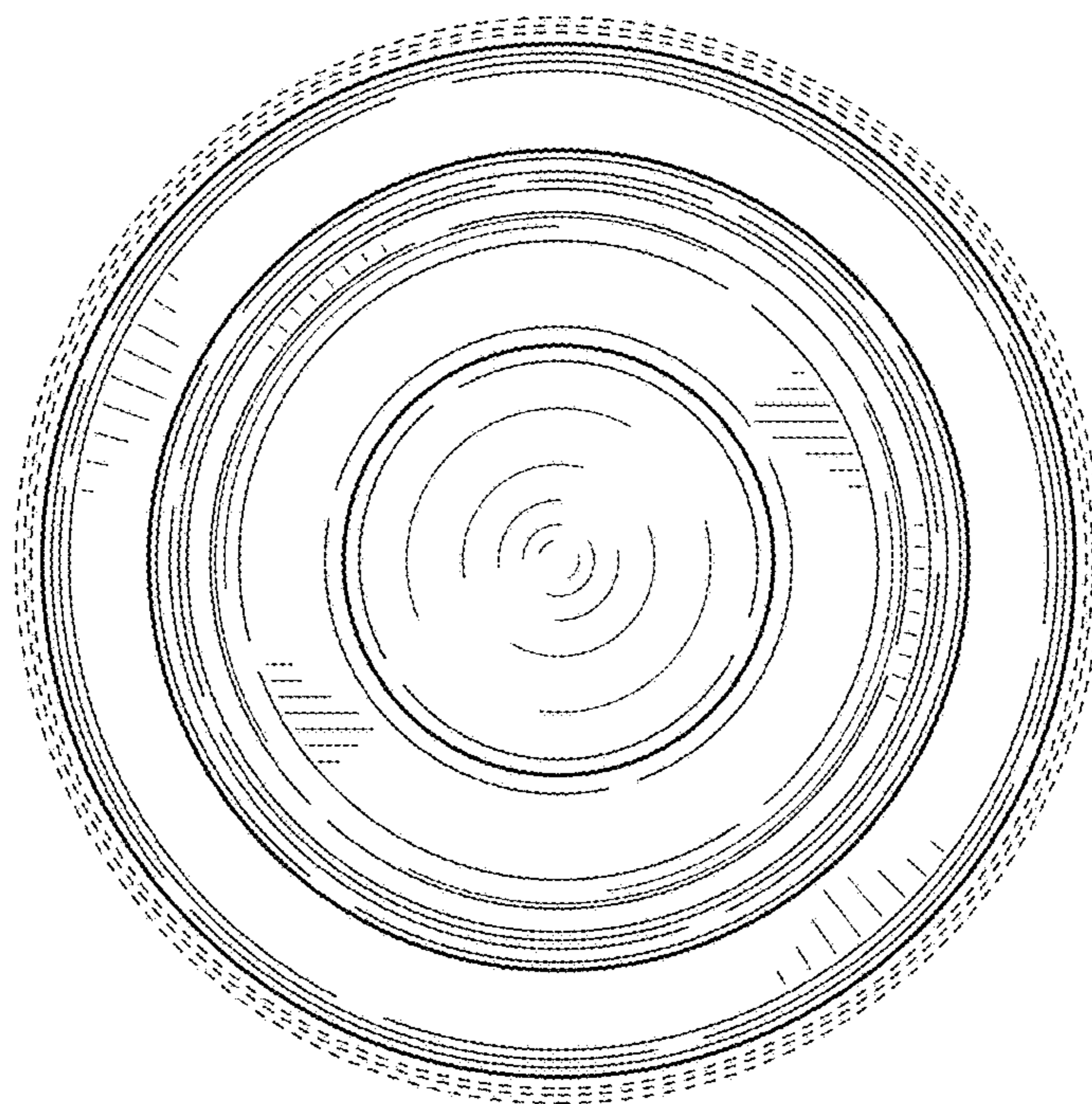
*FIG. 4*



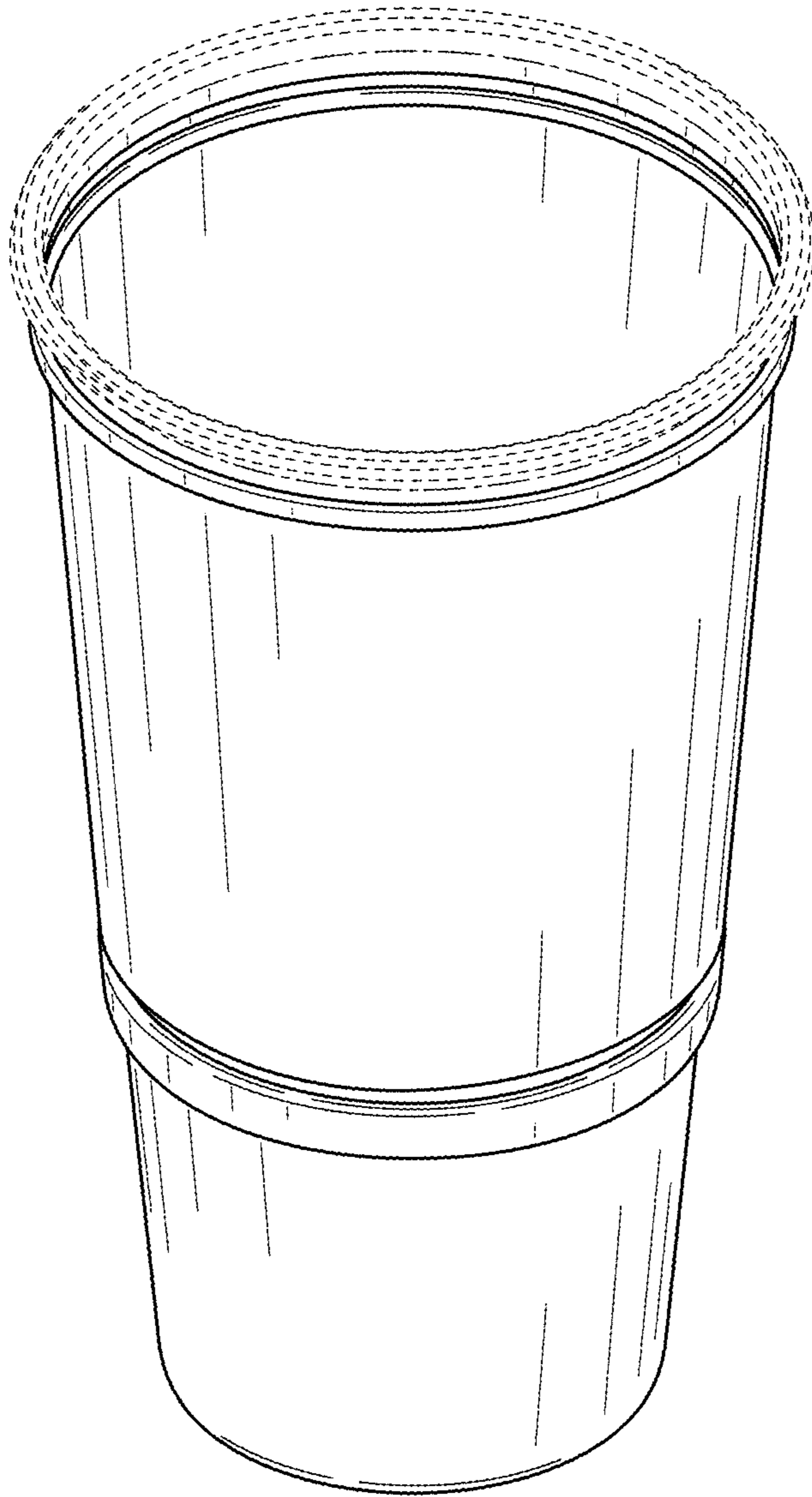
*FIG. 5*



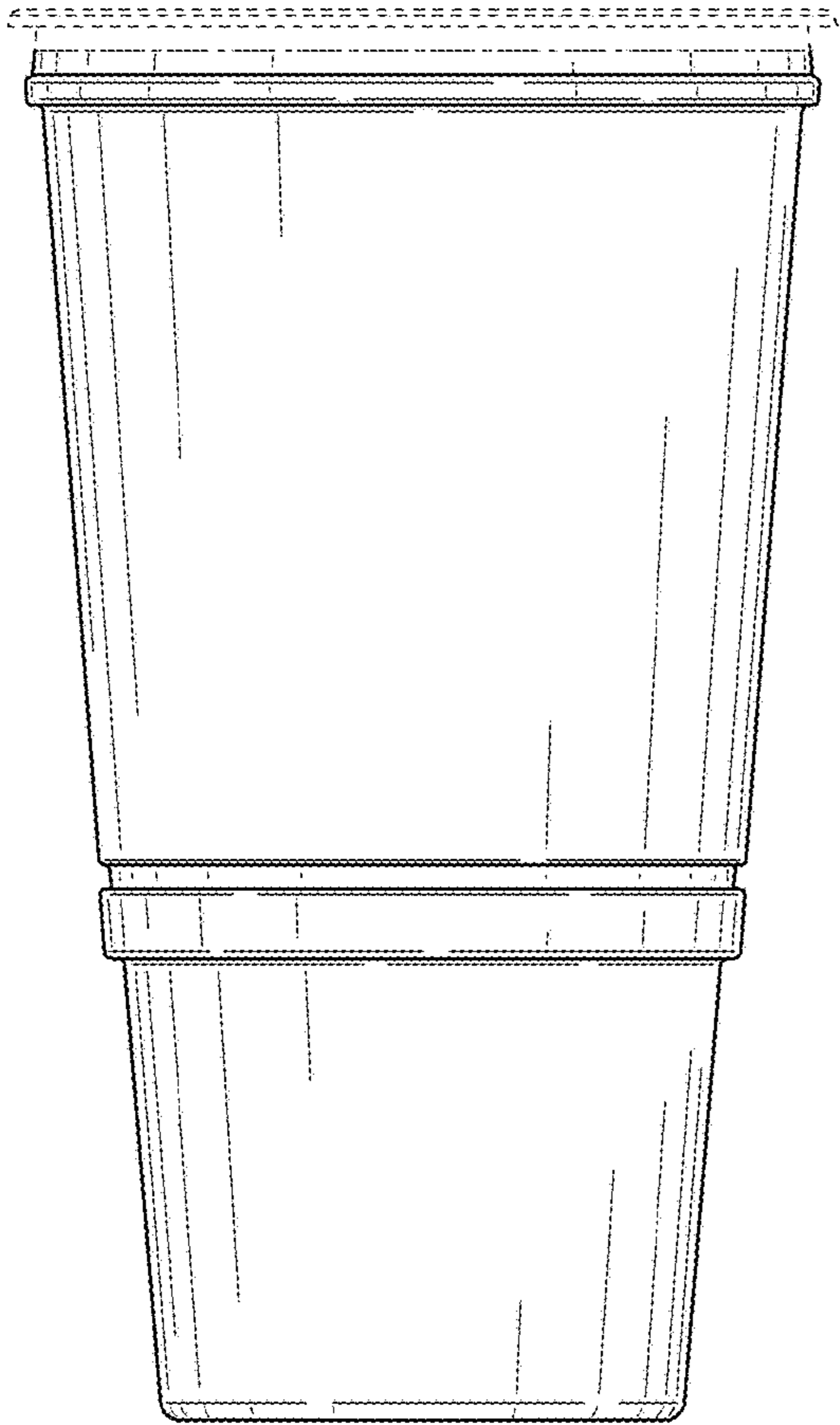
*FIG. 6*



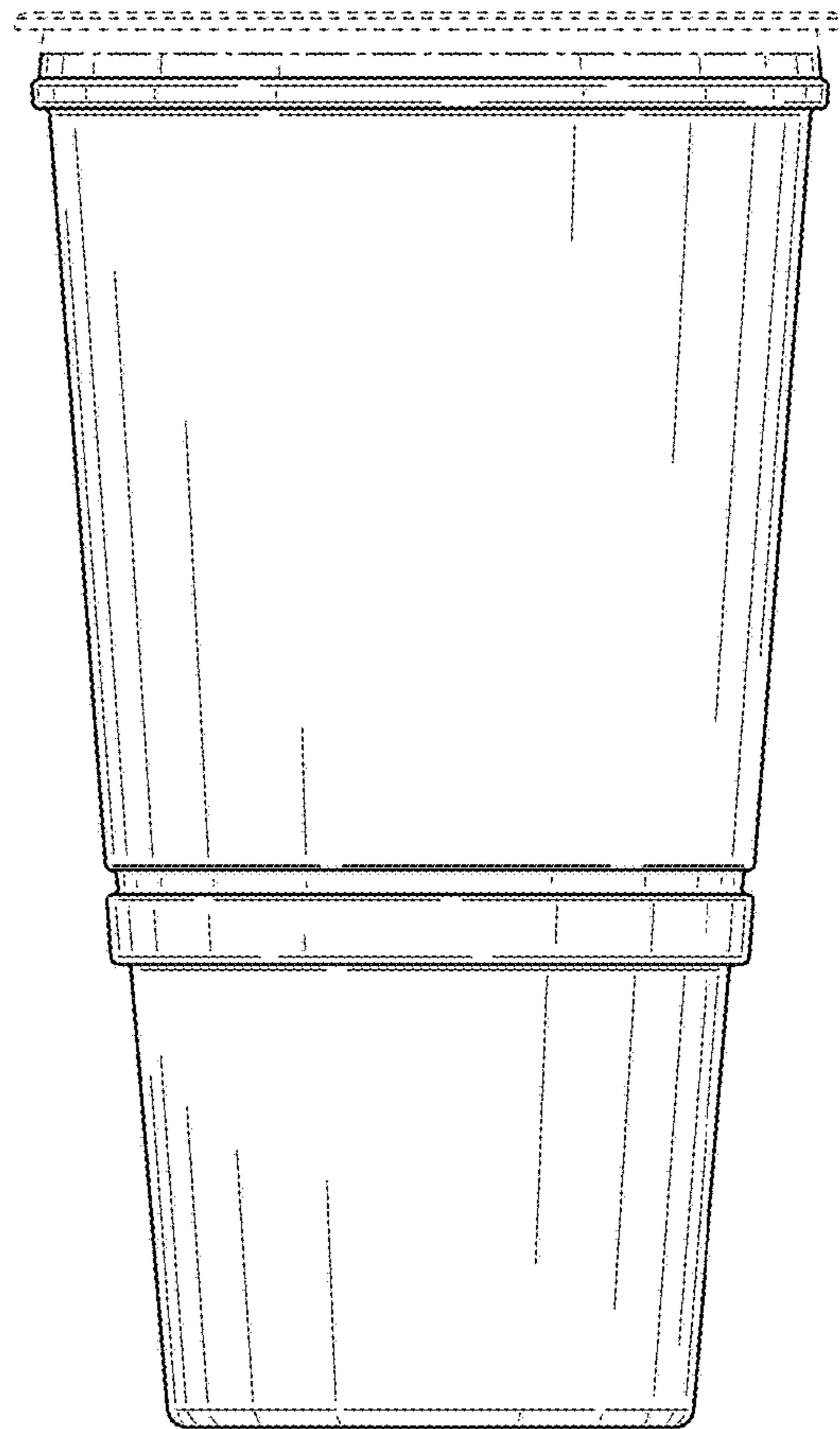
*FIG. 7*



*FIG. 8*

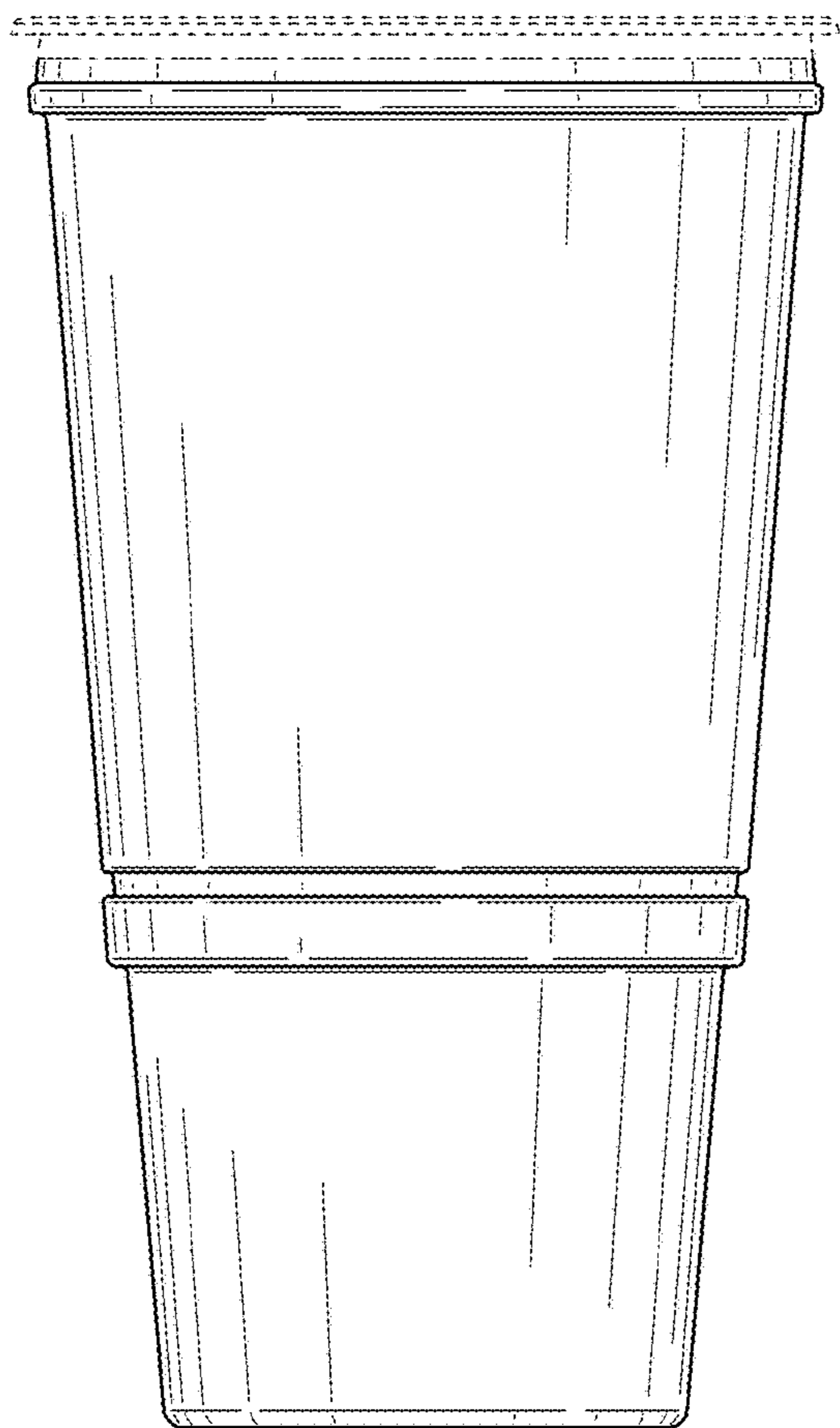


*FIG. 9*

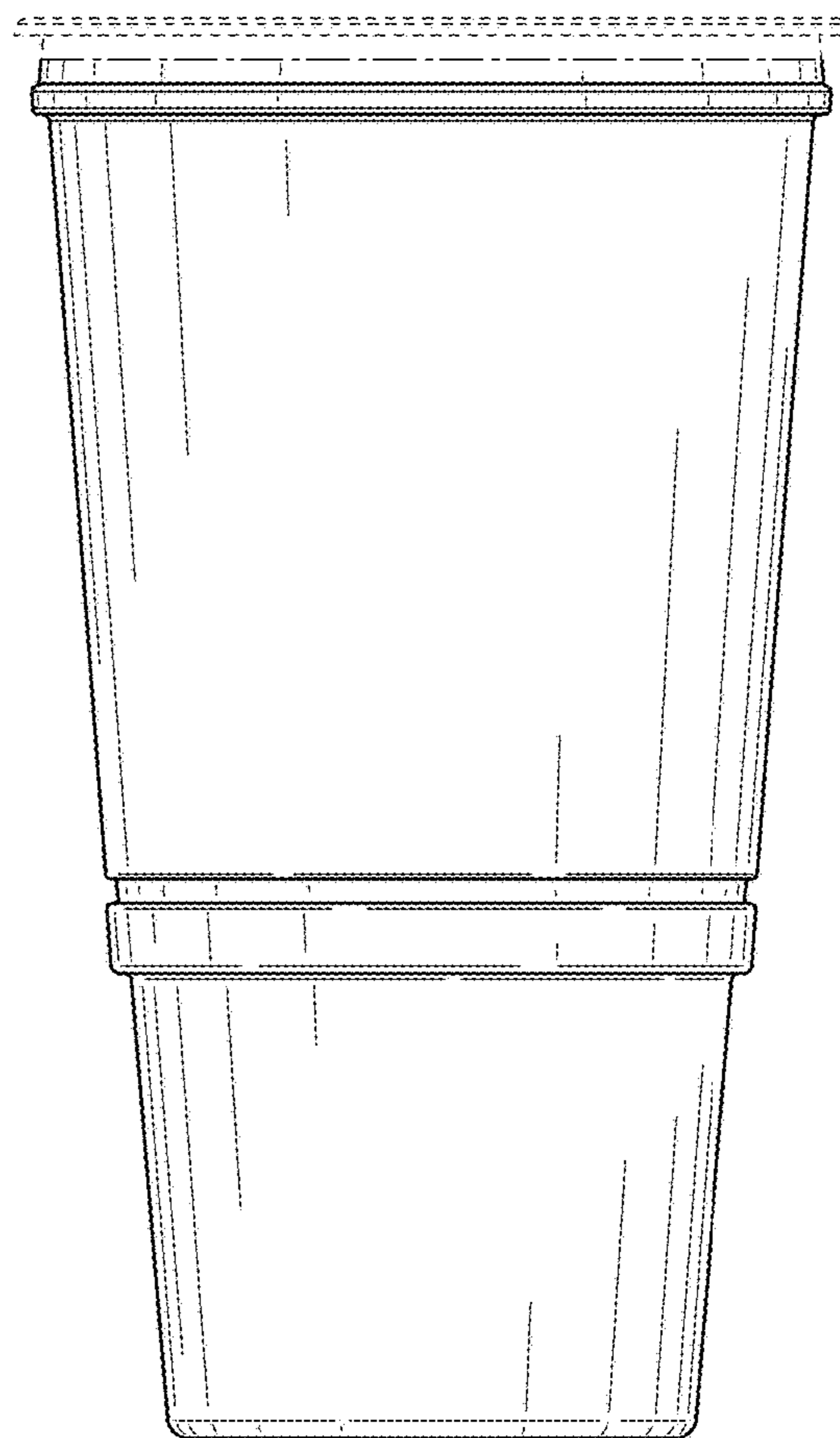


*FIG. 10*

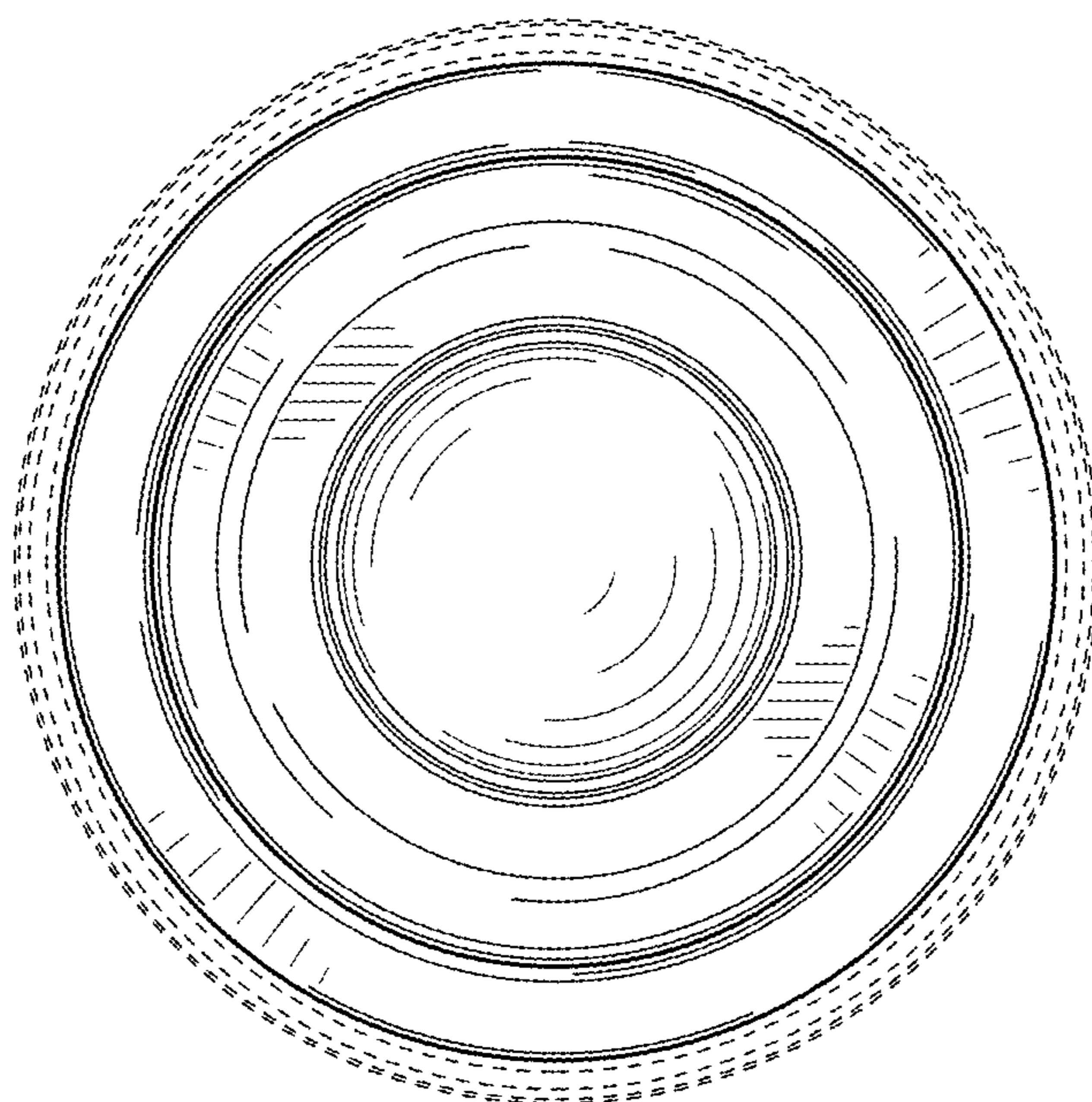




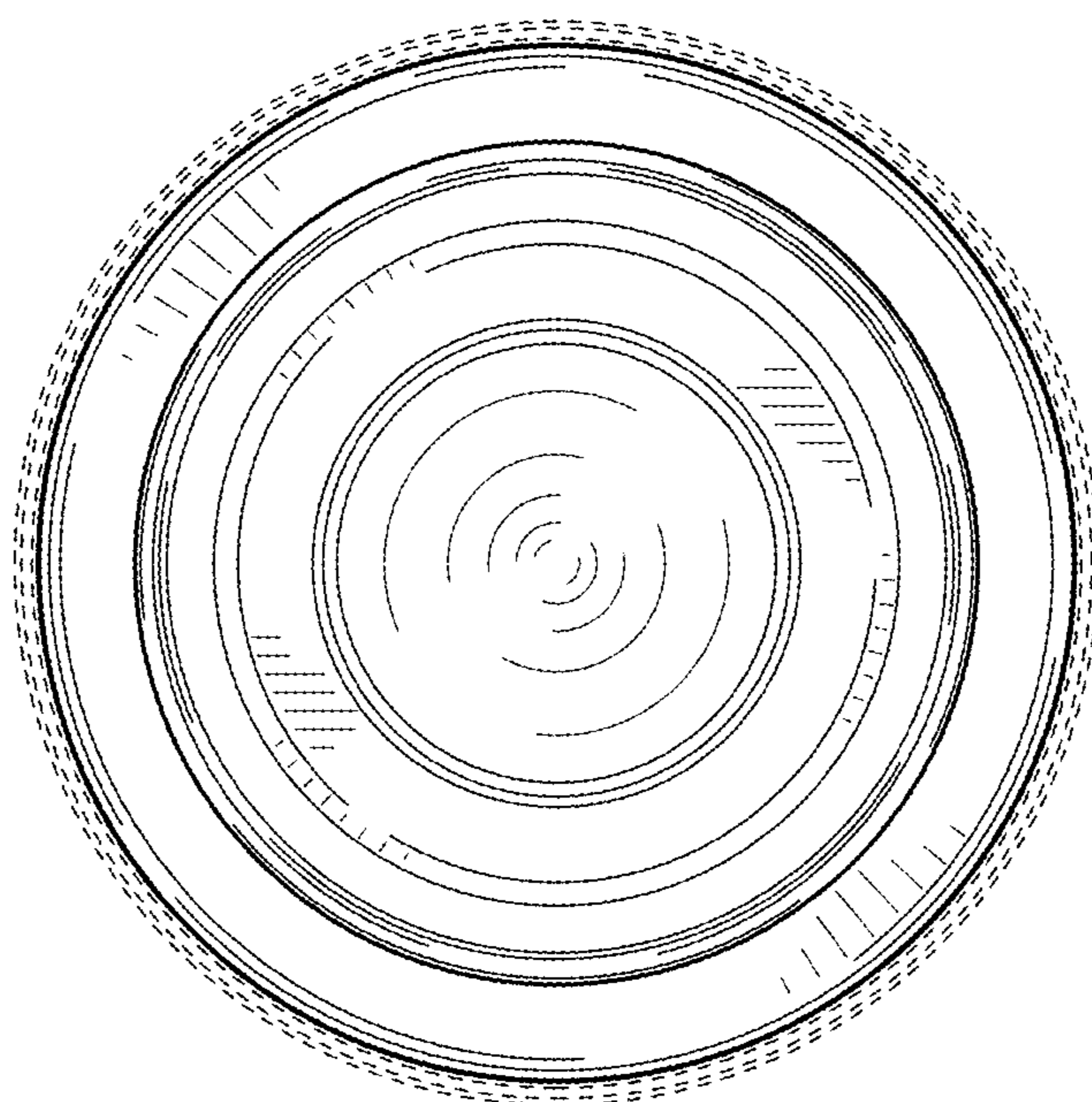
*FIG. 11*



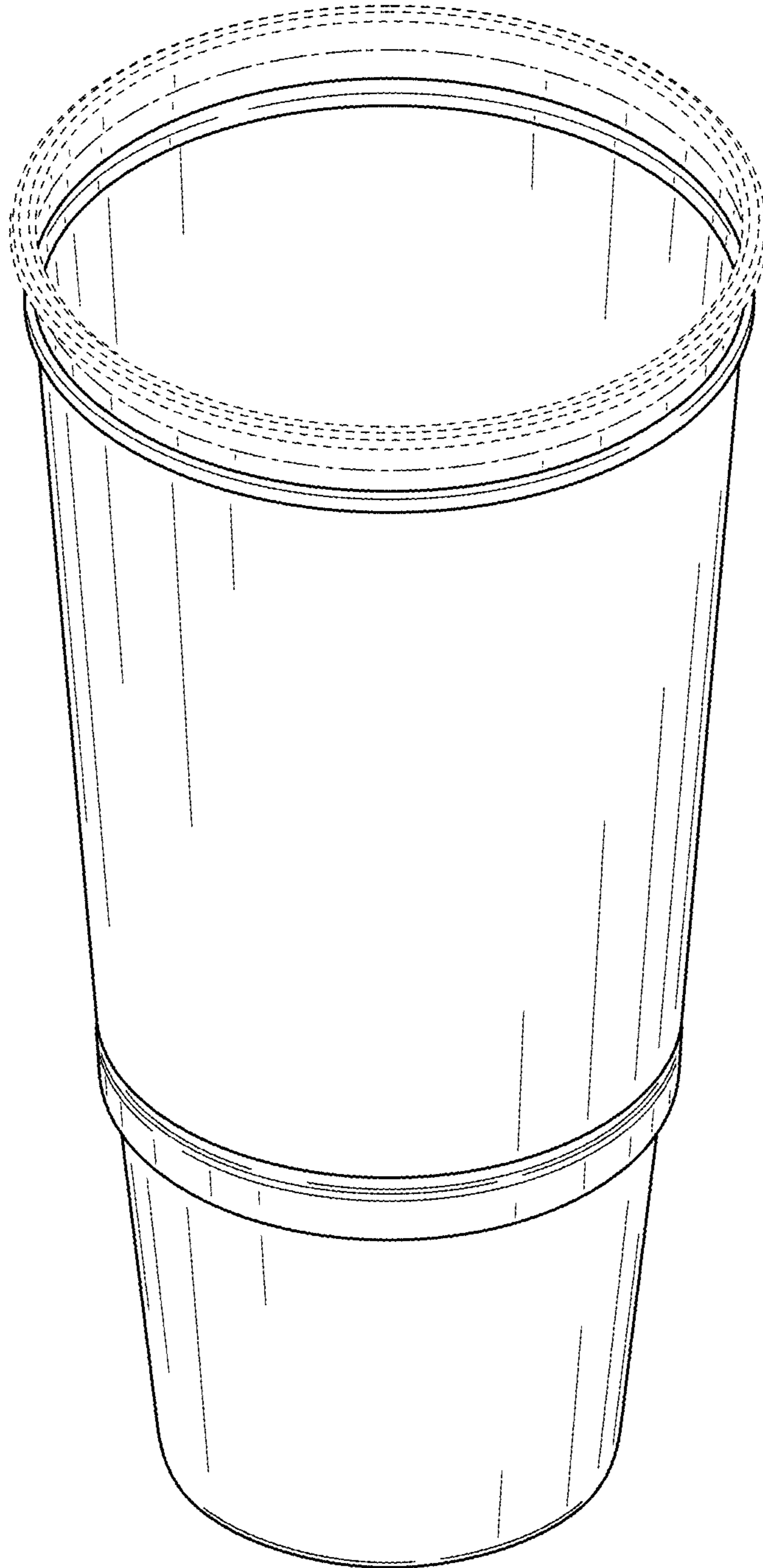
*FIG. 12*



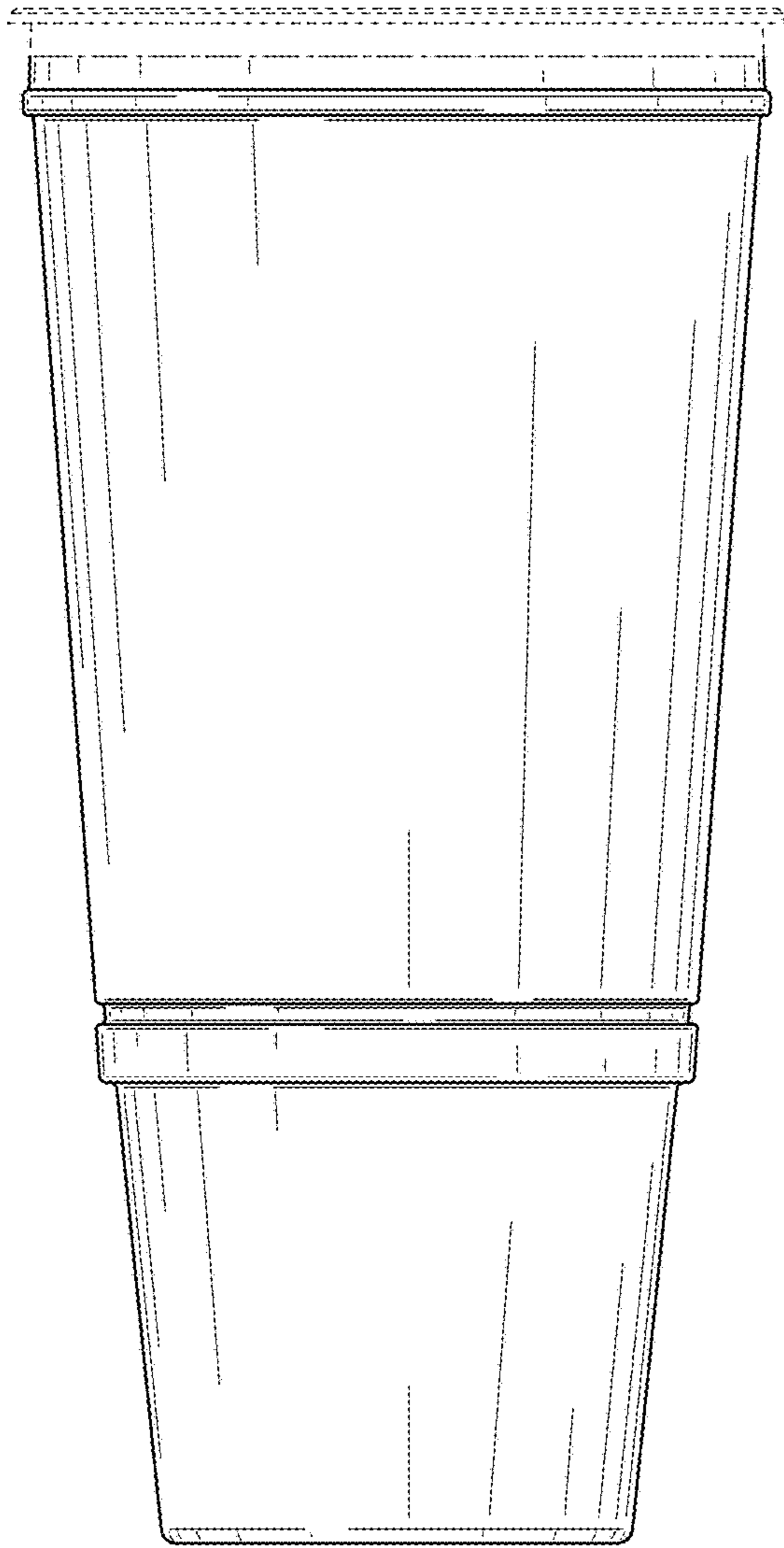
*FIG. 13*



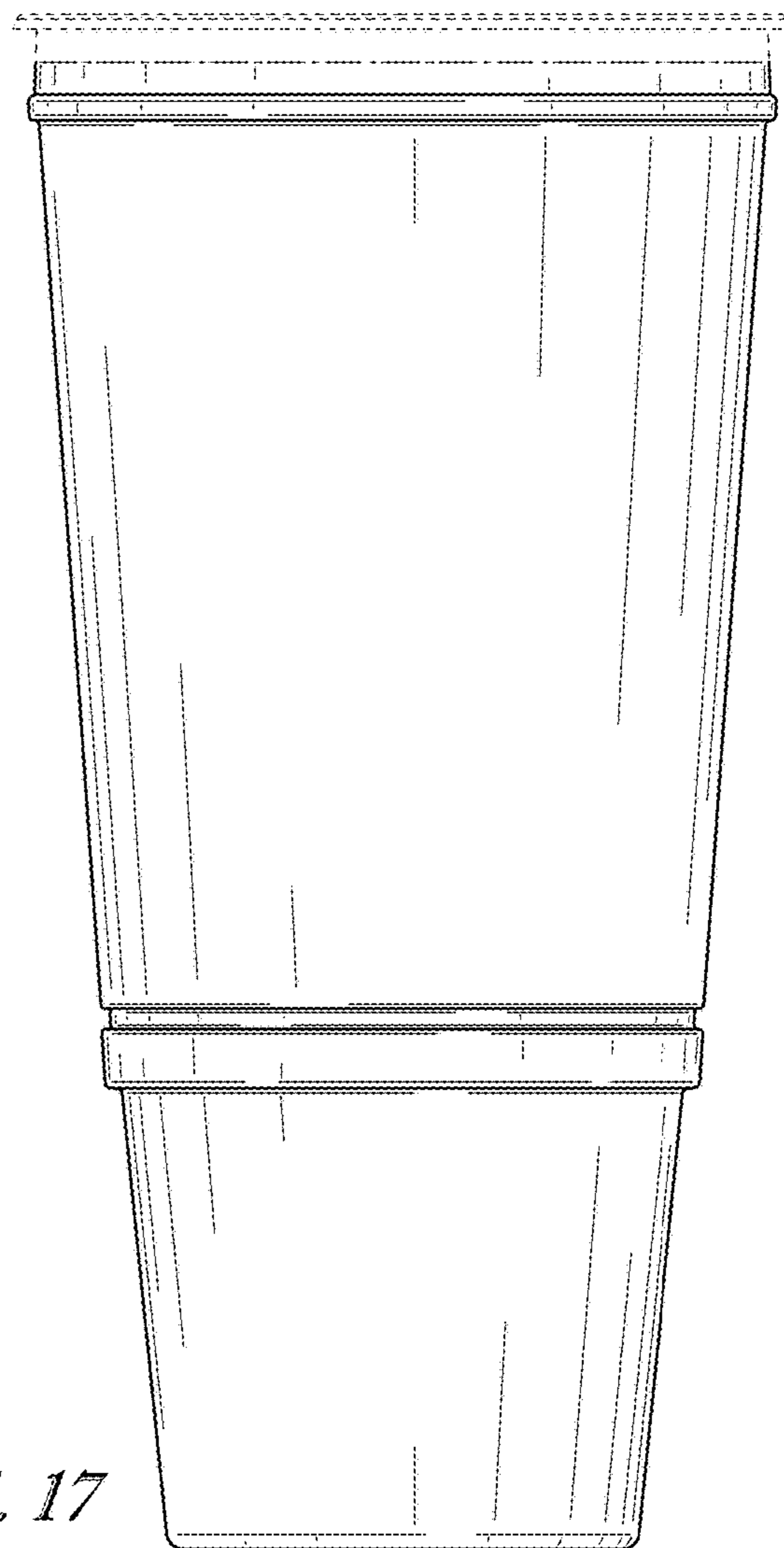
*FIG. 14*



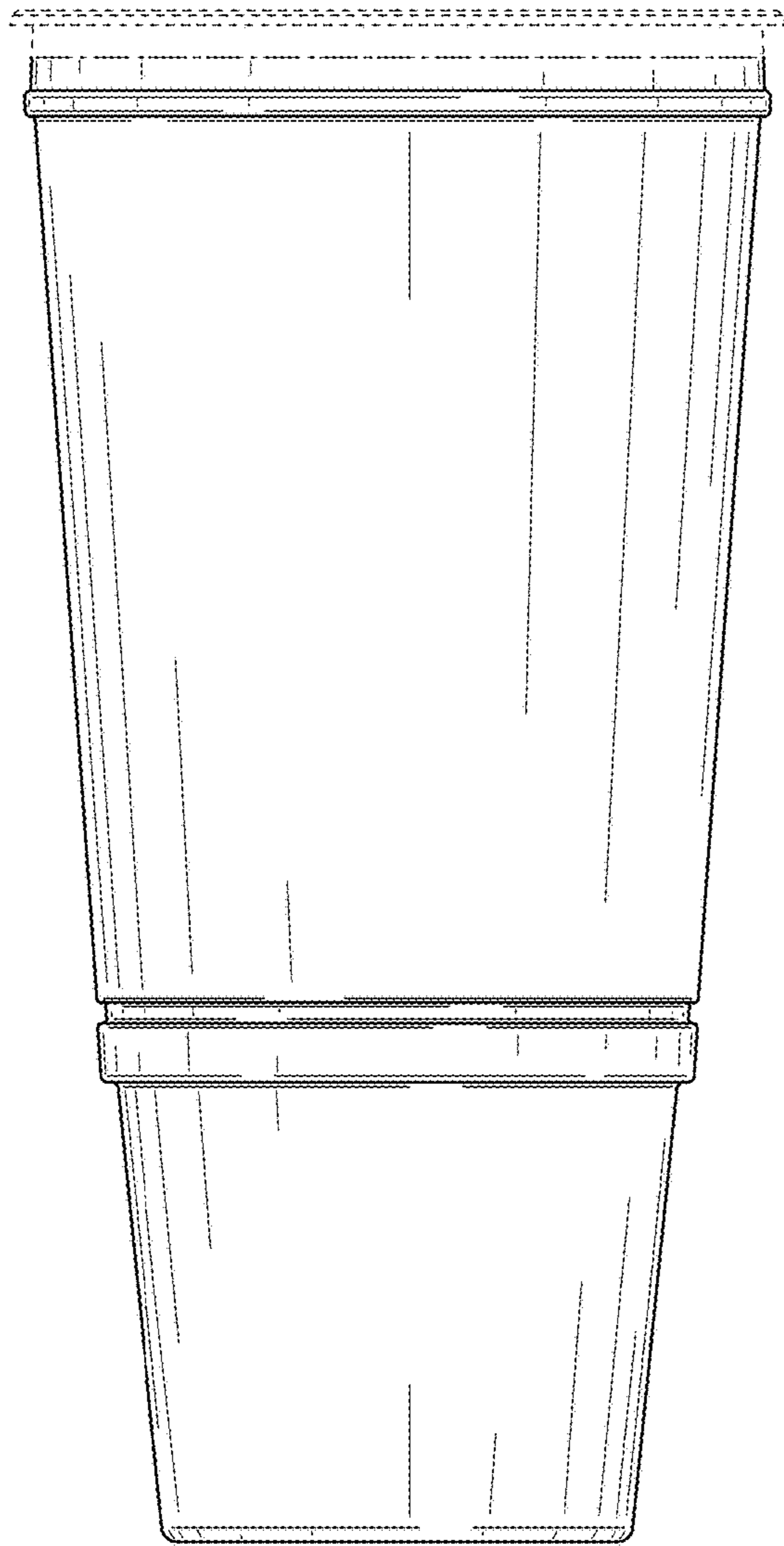
*FIG. 15*



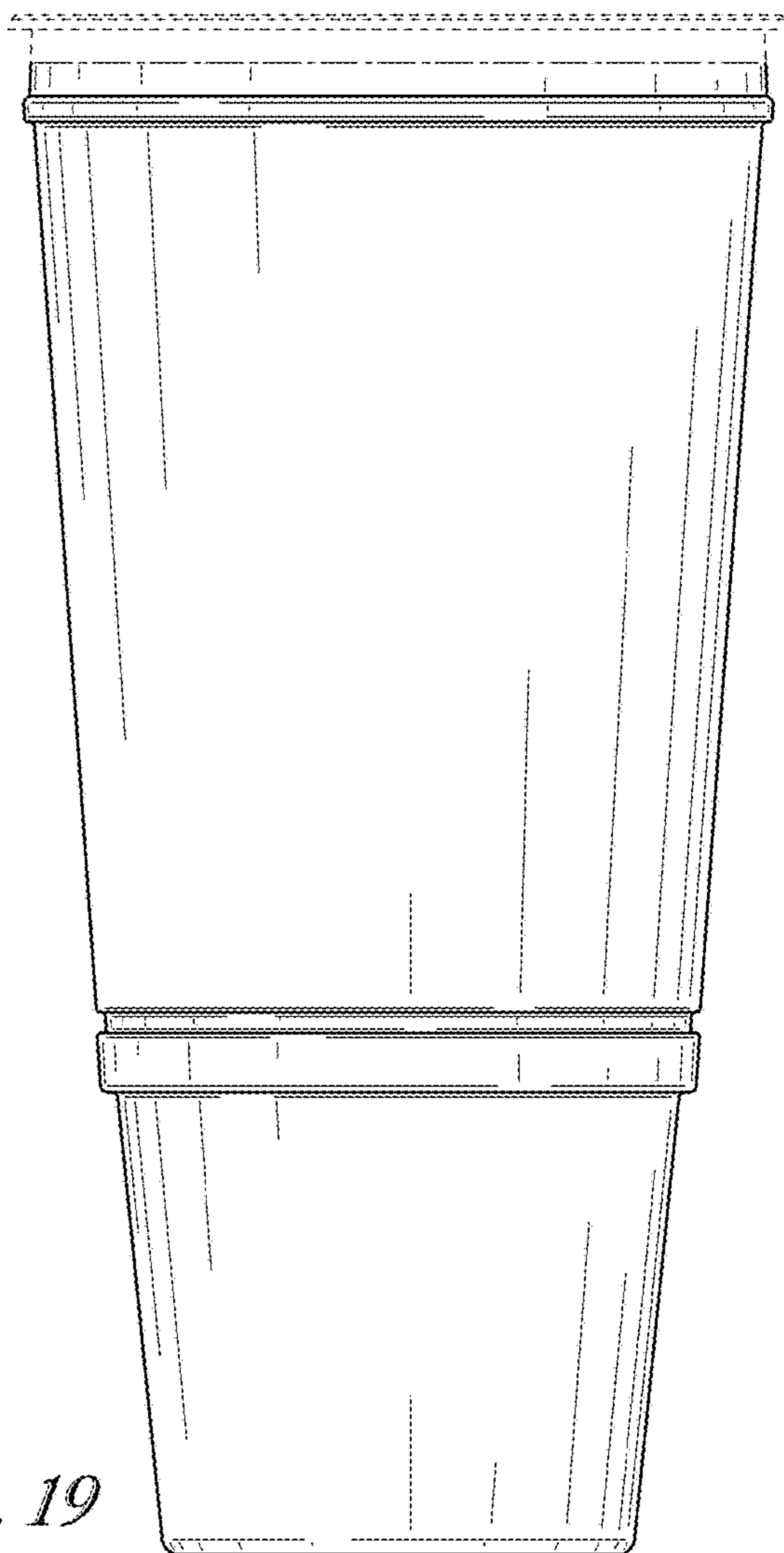
*FIG. 16*



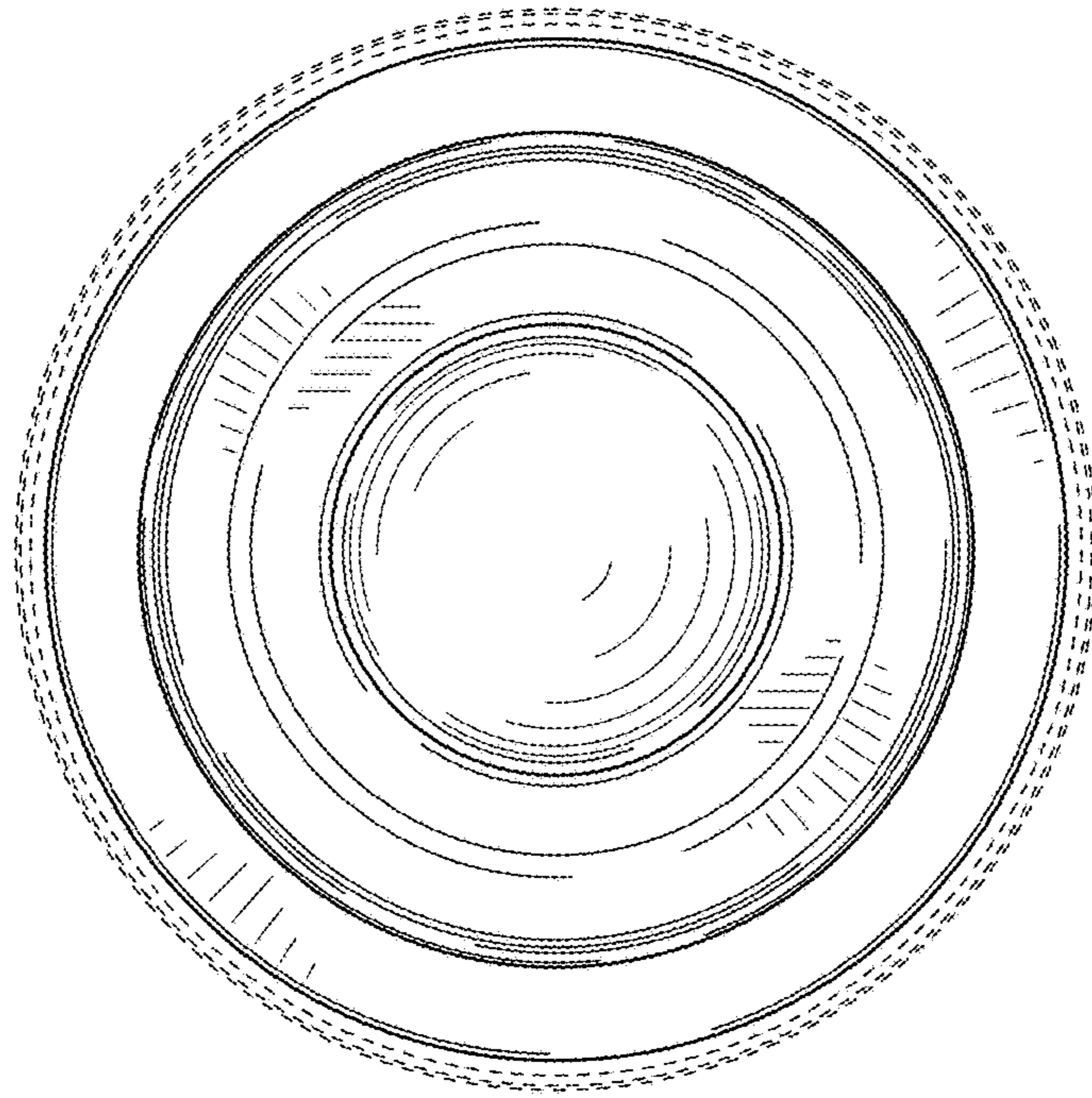
*FIG. 17*



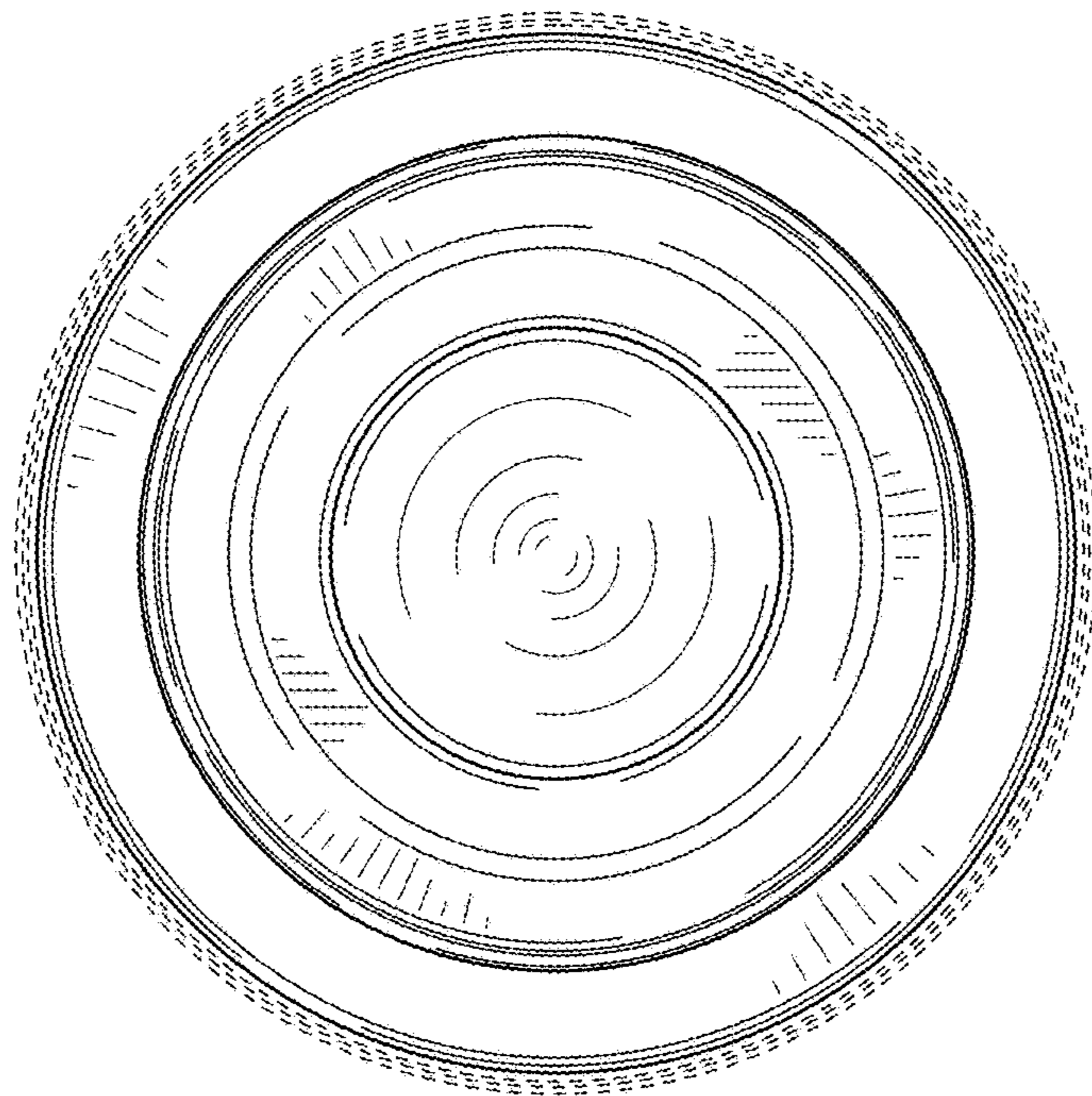
*FIG. 18*



*FIG. 19*



*FIG. 20*



*FIG. 21*