



US00D813605S

(12) **United States Design Patent**  
**Seiders et al.**

(10) **Patent No.: US D813,605 S**  
(45) **Date of Patent: \*\* Mar. 27, 2018**

(54) **CONTAINER**

(71) Applicant: **YETI Coolers, LLC**, Austin, TX (US)

(72) Inventors: **Roy Joseph Seiders**, Rollingwood, TX (US); **Steve Charles Nichols**, Austin, TX (US); **Chris Nickolas Kaschner**, Austin, TX (US)

(73) Assignee: **YETI Coolers, LLC**, Austin, TX (US)

(\*\*) Term: **15 Years**

(21) Appl. No.: **29/563,747**

(22) Filed: **May 6, 2016**

(51) **LOC (11) Cl.** ..... **07-01**

(52) **U.S. Cl.**

USPC ..... **D7/532; D7/533; D7/510**

(58) **Field of Classification Search**

USPC ..... D7/507, 509, 510, 511, 523, 529, 530,  
D7/531, 532, 533, 536, 392.1, 396.2, 394,  
D7/396.4, 300, 1, 642, 688, 697, 690,  
D7/624.1, 624.2, 393, 318, 319, 543;  
220/592.16, 592.17, 710.5, 495.03;  
D9/565, 552, 455, 454, 434; D5/53, 59;  
D10/46.2; D8/107, 300  
CPC ..... B65D 47/066; A47J 43/27; A47G 19/22;  
A47G 19/2222; A47G 19/2227; A45F  
3/20

See application file for complete search history.

(56) **References Cited**

**U.S. PATENT DOCUMENTS**

D2,440 S	9/1866	Matthews, Jr.
604,514 A	5/1898	Belden
899,290 A	9/1908	Bricker et al.
1,133,420 A	3/1915	Young
D47,798 S	9/1915	Pick
2,029,429 A	2/1936	Koons

(Continued)

**FOREIGN PATENT DOCUMENTS**

CH 561528 A5 5/1975  
EP 0717949 B1 4/2002

(Continued)

**OTHER PUBLICATIONS**

“Red Removable Handle 16-Oz. Travel Tumbler.” Accessed Aug. 31, 2016. Available online at URL: <<http://www.zulily.com/p/red-removable-handle-16-oz-travel-tumbler-120715-7353259.html>>.

(Continued)

*Primary Examiner* — Marianne Pandozzi

*Assistant Examiner* — Jae Liang

(74) *Attorney, Agent, or Firm* — Banner & Witcoff, Ltd.

(57) **CLAIM**

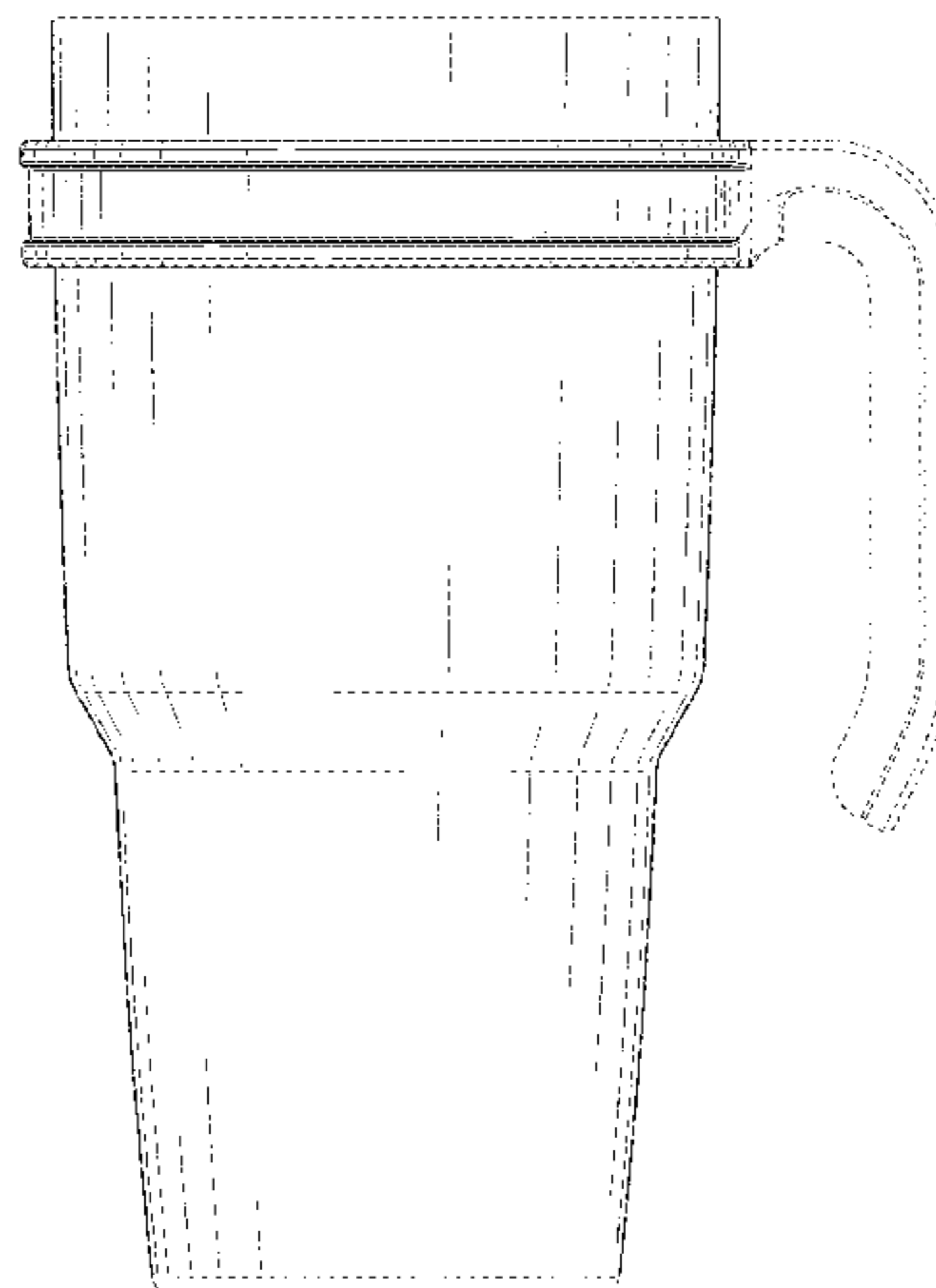
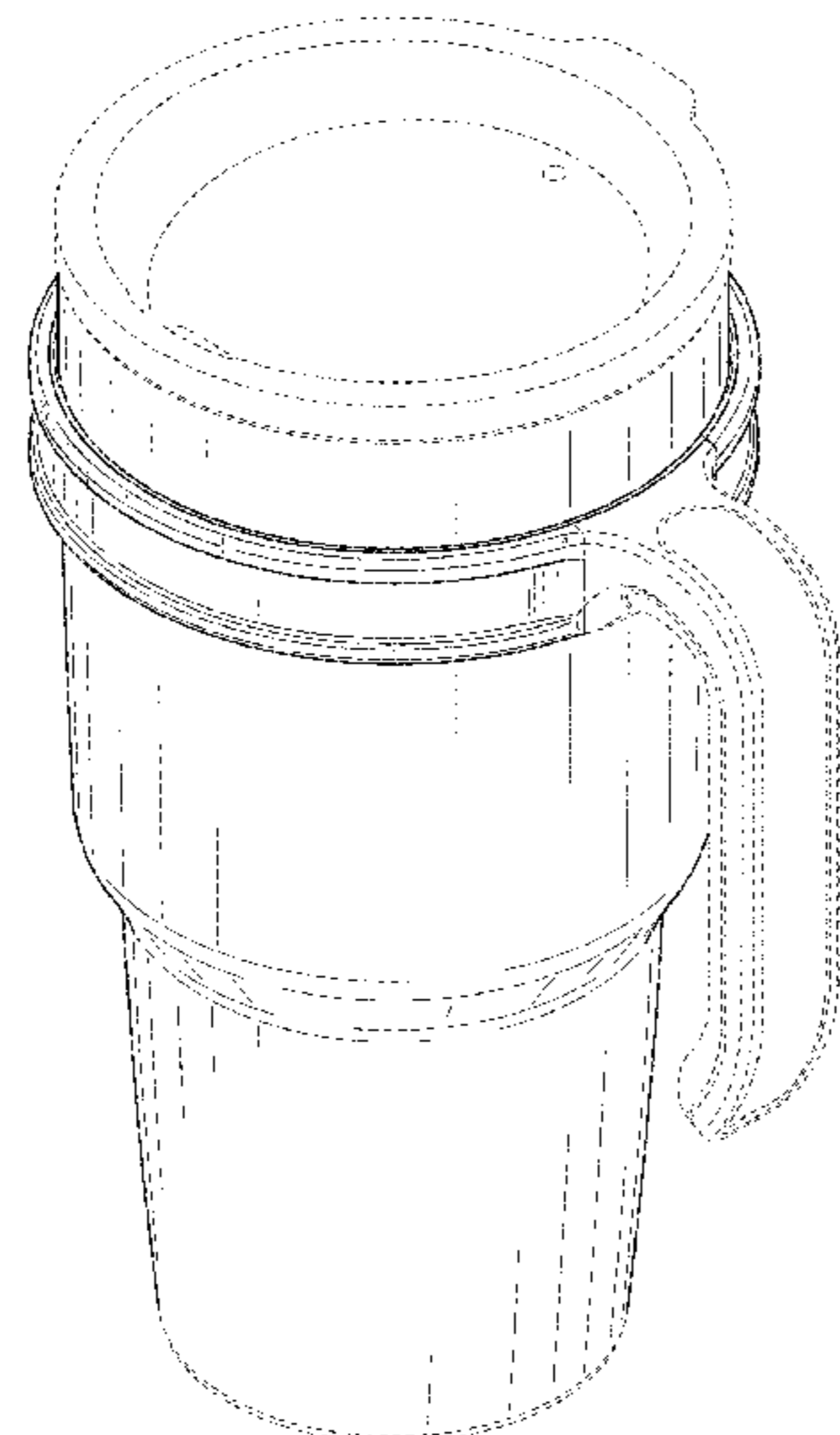
The ornamental design for a container, as shown and described.

**DESCRIPTION**

FIG. 1 is a top, front, right side perspective view of a first embodiment of a container showing our new design; FIG. 2 is a front view thereof; FIG. 3 is a rear view thereof; FIG. 4 is a right side view thereof; FIG. 5 is a left side view thereof; FIG. 6 is a top view thereof; FIG. 7 is a bottom view thereof; FIG. 8 is a top, front, right side perspective view of a second embodiment of a container; FIG. 9 is a front view thereof; FIG. 10 is a rear view thereof; FIG. 11 is a right side view thereof; FIG. 12 is a left side view thereof; FIG. 13 is a top view thereof; and, FIG. 14 is a bottom view thereof.

The broken lines in the drawing depict portions of the container that form no part of the claimed design.

**1 Claim, 12 Drawing Sheets**



(56)

## References Cited

## U.S. PATENT DOCUMENTS

- |              |         |                   |       |           |                |         |                    |                              |
|--------------|---------|-------------------|-------|-----------|----------------|---------|--------------------|------------------------------|
| D100,871 S * | 8/1936  | Marcus            | ..... | D8/300    | D412,806 S     | 8/1999  | Pierce             |                              |
| 2,070,414 A  | 2/1937  | Snell             |       |           | D416,757 S     | 11/1999 | Ginuntoli          |                              |
| 2,088,387 A  | 7/1937  | Rice, Jr. et al.  |       |           | D417,589 S     | 12/1999 | Parker             |                              |
| 2,128,466 A  | 8/1938  | Machotka          |       |           | D417,819 S     | 12/1999 | Kelly-Pollet       |                              |
| 2,215,402 A  | 9/1940  | McDonald          |       |           | D418,013 S *   | 12/1999 | Fujii              | ..... D7/510                 |
| 2,378,867 A  | 6/1945  | Reichart          |       |           | D427,853 S     | 7/2000  | Kohlhase           |                              |
| D157,491 S   | 2/1950  | Heintze           |       |           | D429,607 S     | 8/2000  | Prim               |                              |
| 2,643,021 A  | 6/1953  | Freedman          |       |           | 6,102,458 A    | 8/2000  | Scace              |                              |
| D177,559 S   | 5/1956  | Emmert            |       |           | D432,865 S     | 10/2000 | Cohen              |                              |
| 2,871,051 A  | 1/1959  | Nesslein et al.   |       |           | 6,135,312 A    | 10/2000 | Chen et al.        |                              |
| D186,555 S   | 11/1959 | Hunt              |       |           | D433,876 S     | 11/2000 | Freed              |                              |
| 2,928,570 A  | 3/1960  | Fitch             |       |           | D434,275 S     | 11/2000 | Ginuntoli et al.   |                              |
| 2,981,562 A  | 4/1961  | Long              |       |           | 6,149,028 A    | 11/2000 | Yu                 |                              |
| 3,107,029 A  | 10/1963 | Rylander          |       |           | D436,295 S     | 1/2001  | Furman et al.      |                              |
| 3,202,309 A  | 8/1965  | Simpson           |       |           | D437,187 S     | 2/2001  | Cheng              |                              |
| 3,261,633 A  | 7/1966  | Sakuta            |       |           | D439,473 S *   | 3/2001  | Lin                | ..... D7/510                 |
| 3,342,370 A  | 9/1967  | Johnson           |       |           | 6,216,909 B1   | 4/2001  | Lin                |                              |
| D209,308 S   | 11/1967 | Schilling         |       |           | 6,237,801 B1   | 5/2001  | Liu                |                              |
| D209,533 S   | 12/1967 | Cole              |       |           | 6,241,415 B1   | 6/2001  | Stark              |                              |
| D211,818 S   | 7/1968  | Massey            |       |           | 6,260,732 B1   | 7/2001  | Khodush            |                              |
| 3,458,164 A  | 7/1969  | Massey            |       |           | D446,687 S     | 8/2001  | Furman et al.      |                              |
| D217,781 S   | 6/1970  | Stone             |       |           | 6,332,557 B1   | 12/2001 | Moran              |                              |
| 3,679,253 A  | 7/1972  | Simms             |       |           | 6,352,235 B2   | 3/2002  | Cizek              |                              |
| 3,682,352 A  | 8/1972  | Doucette          |       |           | 6,360,913 B1   | 3/2002  | Bruinsma et al.    |                              |
| D225,792 S * | 1/1973  | Fritsche          | ..... | 220/710.5 | D455,613 S     | 4/2002  | Bruinsma et al.    |                              |
| D229,006 S   | 11/1973 | Sauey             |       |           | D456,578 S     | 4/2002  | Smith et al.       |                              |
| 3,979,011 A  | 9/1976  | Schleicher        |       |           | D457,389 S     | 5/2002  | Snell              |                              |
| 4,120,073 A  | 10/1978 | Studebaker        |       |           | D458,081 S     | 6/2002  | Bodum              |                              |
| 4,127,915 A  | 12/1978 | Logan et al.      |       |           | RE37,773 E     | 7/2002  | Trombley           |                              |
| D251,175 S   | 2/1979  | Logan et al.      |       |           | D460,895 S     | 7/2002  | Lin                |                              |
| D254,417 S   | 3/1980  | DeMars et al.     |       |           | D462,879 S     | 9/2002  | Martens            |                              |
| D256,418 S   | 8/1980  | Corbett           |       |           | 6,450,363 B1   | 9/2002  | Lin                |                              |
| D258,795 S   | 4/1981  | Lamorski          |       |           | D463,715 S     | 10/2002 | Dretzka            |                              |
| D265,159 S   | 6/1982  | La Barbera        |       |           | D465,132 S     | 11/2002 | Janky et al.       |                              |
| D265,279 S   | 7/1982  | Wright            |       |           | D466,371 S     | 12/2002 | Parker             |                              |
| D265,880 S   | 8/1982  | Craig             |       |           | D471,763 S     | 3/2003  | Hurlbut et al.     |                              |
| D268,319 S * | 3/1983  | Donoski           | ..... | D7/318    | D472,101 S     | 3/2003  | Janky              |                              |
| D269,147 S * | 5/1983  | Trombly           | ..... | D7/536    | 6,557,751 B2   | 5/2003  | Puerini            |                              |
| 4,560,075 A  | 12/1985 | Lu                |       |           | D476,193 S     | 6/2003  | Janky              |                              |
| D285,032 S   | 8/1986  | Alonzo            |       |           | D477,185 S     | 7/2003  | Janky              |                              |
| D287,451 S   | 12/1986 | Schrock           |       |           | 6,588,064 B2   | 7/2003  | Baum               |                              |
| 4,654,274 A  | 3/1987  | DeMars            |       |           | D479,090 S     | 9/2003  | Backes et al.      |                              |
| D289,484 S   | 4/1987  | Forquer et al.    |       |           | D480,904 S     | 10/2003 | Backes et al.      |                              |
| D298,200 S   | 10/1988 | Block et al.      |       |           | D480,918 S *   | 10/2003 | Belton             | ..... D7/510                 |
| 4,848,625 A  | 7/1989  | Lucia             |       |           | D483,165 S     | 12/2003 | Dretzka            |                              |
| D302,634 S   | 8/1989  | Segal             |       |           | D483,995 S     | 12/2003 | Otake              |                              |
| 4,993,675 A  | 2/1991  | Walker            |       |           | D484,361 S     | 12/2003 | Jeung              |                              |
| 4,997,124 A  | 3/1991  | Kitabatake et al. |       |           | 6,658,701 B1   | 12/2003 | DeHart et al.      |                              |
| 5,029,720 A  | 7/1991  | Bridges           |       |           | D488,673 S     | 4/2004  | Farce              |                              |
| 5,168,793 A  | 12/1992 | Padamsee          |       |           | D489,577 S     | 5/2004  | Giampavolo         |                              |
| D337,029 S   | 7/1993  | McKechnie         |       |           | D490,274 S     | 5/2004  | Irvine             |                              |
| D357,387 S   | 4/1995  | Davidson et al.   |       |           | 6,729,665 B1   | 5/2004  | Posey et al.       |                              |
| 5,427,269 A  | 6/1995  | Willbrandt        |       |           | D493,068 S     | 7/2004  | Slater et al.      |                              |
| 5,433,337 A  | 7/1995  | Willbrandt        |       |           | 6,852,954 B1 * | 2/2005  | Liu                | ..... A47J 41/005<br>219/387 |
| D362,369 S * | 9/1995  | Bridges           | ..... | D7/533    | 6,864,462 B2   | 3/2005  | Sanoner et al.     |                              |
| D363,414 S   | 10/1995 | Goto et al.       |       |           | 6,962,265 B1   | 11/2005 | Zhang              |                              |
| D363,641 S   | 10/1995 | Goto et al.       |       |           | D512,272 S     | 12/2005 | Avrish             |                              |
| D370,384 S   | 6/1996  | Shamis            |       |           | D512,275 S     | 12/2005 | Kent-Fawkes        |                              |
| D372,839 S   | 8/1996  | Laib              |       |           | 6,979,031 B2   | 12/2005 | Coppotelli et al.  |                              |
| 5,593,053 A  | 1/1997  | Kaufman et al.    |       |           | D523,693 S     | 6/2006  | Bodum              |                              |
| D379,738 S   | 6/1997  | Liming et al.     |       |           | D524,607 S     | 7/2006  | Kent-Fawkes        |                              |
| D382,174 S   | 8/1997  | Grimm             |       |           | D529,763 S *   | 10/2006 | Zerillo            | ..... D7/510                 |
| 5,655,805 A  | 8/1997  | Shaddy            |       |           | D531,454 S     | 11/2006 | Lerillo et al.     |                              |
| D384,557 S   | 10/1997 | Goza              |       |           | D533,748 S     | 12/2006 | Bresler            |                              |
| 5,678,725 A  | 10/1997 | Yamada et al.     |       |           | D534,038 S *   | 12/2006 | Kramer             | ..... D7/510                 |
| D386,948 S * | 12/1997 | Wissinger         | ..... | D7/511    | D534,396 S *   | 1/2007  | Kramer             | ..... D7/523                 |
| D395,238 S   | 6/1998  | Freitas           |       |           | D536,930 S     | 2/2007  | Li                 |                              |
| D395,825 S   | 7/1998  | Freitas           |       |           | D537,676 S     | 3/2007  | Kingsley           |                              |
| D396,381 S   | 7/1998  | Chung             |       |           | D537,677 S     | 3/2007  | Bresler            |                              |
| 5,788,298 A  | 8/1998  | Cheng             |       |           | 7,195,137 B2   | 3/2007  | Belcastro          |                              |
| D398,187 S   | 9/1998  | Parker            |       |           | D539,609 S *   | 4/2007  | Ying               | ..... D7/510                 |
| 5,799,369 A  | 9/1998  | Schulein          |       |           | 7,207,538 B2   | 4/2007  | Kent-Fawkes        |                              |
| 5,816,631 A  | 10/1998 | Kochan            |       |           | D548,012 S     | 8/2007  | Tien               |                              |
| 5,848,722 A  | 12/1998 | Hanes             |       |           | D548,599 S     | 8/2007  | Blasko             |                              |
| 5,868,310 A  | 2/1999  | Leszczynski       |       |           | D553,440 S     | 10/2007 | Bodum              |                              |
|              |         |                   |       |           | 7,284,777 B1   | 10/2007 | Kraemer            |                              |
|              |         |                   |       |           | D557,567 S     | 12/2007 | Gronikowski et al. |                              |
|              |         |                   |       |           | D560,512 S     | 1/2008  | Safar              |                              |

(56)

References Cited

U.S. PATENT DOCUMENTS

D561,590 S 2/2008 Kingsley  
 D562,072 S 2/2008 Wahl  
 D565,901 S 4/2008 Edelstein et al.  
 D566,471 S 4/2008 Bodum  
 D568,107 S \* 5/2008 Bhavnani ..... D7/509  
 D568,685 S 5/2008 Bodum  
 D569,183 S 5/2008 Blake  
 D577,260 S 9/2008 Bodum  
 D587,523 S 3/2009 Moon  
 D587,967 S 3/2009 Wahl  
 D588,912 S 3/2009 Christensen et al.  
 D592,015 S 5/2009 Carpenter  
 D592,058 S 5/2009 Rapaport  
 7,527,310 B2 5/2009 Shaskey, Sr.  
 D593,859 S 6/2009 Barnum  
 D595,133 S 6/2009 Lewis  
 D598,747 S 8/2009 Caldwell  
 D600,073 S 9/2009 Carreno  
 7,581,704 B1 9/2009 Pugsley  
 7,581,770 B2 9/2009 Jones  
 7,604,270 B1 10/2009 McCarthy  
 D604,103 S 11/2009 Alviar et al.  
 D609,534 S 2/2010 Traficante et al.  
 7,686,183 B2 3/2010 Ziegler  
 D613,554 S 4/2010 Koennecke  
 D615,366 S 5/2010 Berezansky  
 D617,640 S 6/2010 Jones  
 D618,964 S 7/2010 Eisenhardt  
 D619,419 S \* 7/2010 McClellan ..... D7/509  
 D622,548 S 8/2010 Jensen et al.  
 D631,699 S 2/2011 Moreau  
 D636,640 S 4/2011 Latham  
 D638,651 S 5/2011 Butler  
 D643,289 S 8/2011 Harlan  
 D646,524 S 10/2011 Kortleven  
 D648,599 S 11/2011 Watanabe et al.  
 D650,232 S \* 12/2011 Gilbert ..... D7/510  
 D652,256 S 1/2012 Eyal  
 D656,361 S 3/2012 Gilbert  
 D658,922 S 5/2012 Fallon et al.  
 D659,474 S 5/2012 Wahl et al.  
 D660,082 S 5/2012 Wahl  
 D664,001 S 7/2012 Liu  
 D667,268 S 9/2012 Pallotto  
 D669,735 S \* 10/2012 Wong ..... D7/510  
 D670,525 S 11/2012 Fallon et al.  
 D675,063 S 1/2013 Wahl  
 8,364,542 B2 1/2013 Grauel et al.  
 D682,002 S 5/2013 Munson  
 8,499,951 B1 8/2013 McDonald et al.  
 D691,409 S 10/2013 Dichraff et al.  
 D693,176 S 11/2013 Kaiser  
 D693,649 S 11/2013 Yeung  
 8,608,019 B2 12/2013 Wren  
 D698,200 S 1/2014 Lauwagie  
 8,684,430 B1 4/2014 Brandon  
 D705,012 S 5/2014 Lapsker  
 8,727,176 B2 5/2014 El-Saden et al.  
 D709,328 S 7/2014 Ross  
 D709,737 S 7/2014 Weinert et al.  
 D709,738 S 7/2014 Weinert et al.  
 D712,701 S \* 9/2014 Boroski ..... D7/533  
 D713,206 S \* 9/2014 Lane ..... D7/533  
 D713,686 S 9/2014 Eyal  
 D717,605 S 11/2014 Kristinik  
 D717,606 S 11/2014 Kristinik  
 D719,408 S 12/2014 Weber  
 D720,183 S 12/2014 Chiang  
 8,899,644 B2 12/2014 Hancey  
 8,919,603 B2 12/2014 Greene  
 D725,965 S \* 4/2015 Bo ..... D7/510  
 D728,311 S 5/2015 Eyal  
 D728,312 S 5/2015 Bo  
 D728,313 S 5/2015 Bo  
 D729,009 S 5/2015 Merten

D729,581 S 5/2015 Boroski  
 D730,121 S 5/2015 Bo  
 9,021,662 B1 5/2015 Jones  
 9,038,850 B1 5/2015 Wilson  
 D731,251 S 6/2015 Lane  
 D732,338 S 6/2015 Boroski  
 D732,343 S 6/2015 Romley  
 D732,895 S 6/2015 McClellan  
 D734,096 S 7/2015 George et al.  
 D740,073 S 10/2015 Zorovich et al.  
 D740,077 S 10/2015 Strepkoff  
 D740,618 S 10/2015 Knoll  
 D743,209 S 11/2015 Maas et al.  
 D744,286 S 12/2015 Morris, II et al.  
 D750,426 S 3/2016 Bann et al.  
 D753,948 S 4/2016 Kestenbaum  
 D754,543 S \* 4/2016 Donadee ..... D20/44  
 D764,870 S 8/2016 Choi  
 D766,035 S 9/2016 Cox  
 D783,334 S 4/2017 Kotani  
 D787,251 S 5/2017 Kestenbaum  
 D787,260 S 5/2017 Krooshof  
 2002/0066758 A1 6/2002 Fadal et al.  
 2004/0040962 A1 3/2004 Bielecki et al.  
 2004/0187265 A1 9/2004 Ho  
 2005/0045643 A1 3/2005 Ghanem  
 2005/0218109 A1 10/2005 Semersky et al.  
 2006/0175506 A1 8/2006 Lan  
 2007/0295738 A1 12/2007 Hussain  
 2008/0012368 A1 1/2008 Kent-Fawkes  
 2008/0023434 A1 1/2008 Takayama  
 2008/0101056 A1 5/2008 Bhavnani  
 2009/0008399 A1 1/2009 Mayled et al.  
 2009/0065469 A1 3/2009 McClellan et al.  
 2010/0206874 A1 8/2010 Masurier et al.  
 2010/0288782 A1 11/2010 Lin  
 2011/0204017 A1 8/2011 O'Sullivan  
 2012/0074155 A1 3/2012 Yeung  
 2012/0261408 A1 10/2012 White  
 2013/0098932 A1 4/2013 Hunt  
 2013/0186849 A1 7/2013 Iwashita  
 2014/0186507 A1 7/2014 Wales  
 2015/0041480 A1 2/2015 Ramsey  
 2015/0102032 A1 4/2015 Dunn et al.  
 2015/0108150 A1 4/2015 Garcia  
 2015/0108152 A1 4/2015 Franzen et al.  
 2015/0164256 A1 6/2015 Helton  
 2015/0232232 A1 8/2015 Shibuki et al.  
 2015/0291316 A1 10/2015 Fietz

FOREIGN PATENT DOCUMENTS

GB 2129117 A 5/1984  
 GB 2354579 A 3/2001  
 JP H11221667 A 8/1999  
 JP 2011219126 A 11/2011  
 KR 300779301 1/2015  
 WO 0162614 A1 8/2001  
 WO 2006048119 A1 5/2006  
 WO 2011022857 A2 3/2011  
 WO 2012064184 A1 5/2012  
 WO 2013163725 A1 11/2013

OTHER PUBLICATIONS

“Removable Bicycle Cup Holder by Bookman.” Published Mar. 23, 2014. Accessed Aug. 31, 2016. Available online at URL: <<http://coolmensgear.com/removable-bicycle-cup-holder/>>.  
 “Meyers California Rainbow Mug with Removable Wood/Metal Handle.” Accessed Aug. 31, 2016. Available online at URL: <<https://www.pinterest.com/pin/148618856430252325/>>.  
 “Tervis Tumbler Black 24oz. Handle.” Amazon.com. Accessed Aug. 31, 2016. Available online at URL: <<https://www.amazon.com/Tervis-Tumbler-Black-24oz-Handle/dp/B004VVHORG>>.  
 “Spare Parts for Those Mugs or Tumblers with No Handles.” Accessed Aug. 31, 2016. Available online at URL: <<https://www.etsy.com/listing/255089724/parts-parts-parts-mug-or-tumbler->

(56)

## References Cited

## OTHER PUBLICATIONS

metal? ga\_order=most\_relevant&ga\_search\_type=all &ga\_view\_type=gallery&ga\_search\_query=metal+handled+mugs &ref=sr\_gallery\_8>.

“New 16oz Insulated Coffee Travel Mug Stainless Steel Double Wall Thermos Tumbler”, retrieved from <<http://www.ebay.com/itm/New-16oz-Insulated-Coffee-Travel-Mug-Stainless-Steel-Double-Wall-Thermos-Tumbler4171416296921>> on Aug. 27, 2015.

“Osulloc Green Cup,” retrieved from [http://www.edaymall.com/display/goods.do?media\\_code=E06&goods\\_code=10183708](http://www.edaymall.com/display/goods.do?media_code=E06&goods_code=10183708) on Sep. 6, 2016.

“Stainless Steel Travel Mug with Slide Action Lid and Plastic Inner Liner—16oz.”, retrieved from <<http://waterbottles.com/stainless-steel-travel-mug-with-slide-action-lid-and-plastic-inner-liner-16-oz>> on Aug. 27, 2015.

“YETI Rambler 20 and 30 oz”, published on Apr. 19, 2014, retrieved from <https://web.archive.org/web/20140419041951/http://yeticoolers.com/rambler-tumblers/> on Sep. 2, 2015.

Dec. 14, 2016 (PCT) International Search Report and Written Opinion—App PCT/US2016/055491.

Oct. 18, 2016—(JP) Office Action—App 2016-004374—English trans.

May 10, 2017—(US) Office Action—U.S. Appl. No. 15/183,427.

May 24, 2017—(WO) International Search Report and Written Opinion—App. No. PCT/US2017/022315—16 pages.

Eshine Industrial & Maoyuan International, “400ml Double Wall Stainless Steel Travel Mug with Sliding Drink Lid”, retrieved from <<http://www.chinawaterbottle.com/product/400ml-double-wall-stainless-steel-travel-mug-with-sliding-drink-lid-77-520.html>> on Aug. 27, 2015.

Gold Bond Inc., “16CT—16 oz Cafe Tumbler”, retrieved from <<http://www.goldbondinc.com/16ct>> on Aug. 27, 2015.

Hit Promotional Products, “24 Oz. Biggie Tumbler with Lid”, retrieved from <<http://www.hitpromo.net/product/show/5853/24-oz-biggie-tumbler-with-lid>> on Aug. 27, 2015.

Photo USA Electronic Graphic Inc., “17fl oz Personalised Travel Mug (Plastic Insert and Metal Shell, Reverse Screw)”, retrieved from <<http://www.meikeda.com/stainless-steel-mughtem/15-oz-personalised-travel-mug.html>> on Aug. 27, 2015.

Photographic image of YETI 20oz Rambler Tumbler, published date unknown, but prior to the filed of the present application.

Photographic image of YETI 30oz Rambler Tumbler, published date unknown, but prior to the filed of the present application.

Pictures of Great American Products Tumbler, published date unknown, but prior to the filed of the present application.

Promo Industrial Co., Limited, “16 Oz. Blue Bullet Travel Mug W/ Handle”, retrieved from <[http://www.oempromo.com/Bottle-cup-and-mug/Mugs/index\\_73\\_htm](http://www.oempromo.com/Bottle-cup-and-mug/Mugs/index_73_htm)> on Aug. 27, 2015.

Promotional Items, Inc., “Stainless Steel 14oz. Deluxe Coffee Insulated Tumbler Lid”, retrieved from <[http://www.promotional-items-inc.com/catalogistainless\\_steel\\_18oz\\_commuter\\_coffee\\_mug\\_lid.html](http://www.promotional-items-inc.com/catalogistainless_steel_18oz_commuter_coffee_mug_lid.html)> on Aug. 27, 2015.

Second photographic image of YETI 30oz Rambler Tumbler, published date unknown, but prior to the filed of the present application.

The Alexon Group, “16 Oz. Stainless Steel Travel Mug with Slide Action Lid and Plastic Inner Liner”, retrieved from <<https://alexongroup.com/16-oz-stainless-steel-travel-mug-with-slide-action-lid-and-plastic-inner-liner>> on Aug. 27, 2015.

The Product Farm, “BeerNStein Rocks Tumbler Lid - Blue”, retrieved from <<http://store.theproductfarm.com/beerstein-rocks-tumbler-lid-blue/>> on Aug. 27, 2015.

Timolino, “Signature Thermal Travel Mug Slide—Tab Lid”, retrieved from <<http://timolino.com/products/signature-bermal-travel-mug-slide-tab-lids>> on Aug. 27, 2015.

United States District Court for the Southern District of Texas Houston Division, “RTIC Drinkware’s Original Complaint or Declaratory Judgment, Damages, and Injunctive Relief,” *RTIC Drinkware, LLC v. YETI Coolers, LLC*, Case: 4:16-cv-01201, Document #1, filed May 2, 2016, 58 pages.

United States District Court Western District of Texas Austin Division, “[Proposed] Order Granting Stipulated Motion to Dismiss Defendant Polar Pad, LLC, Without Prejudice, Pursuant to Fed. R. Civ. P. 21,” *YETI Coolers, LLC v. Polar Pad LLC, d/b/a Polar Pad Drifter, d/b/a Polar Pad, and Veterinary Internet Company, LLC, d/b/a VetInternetCo*, Case: 1:16-cv-00677-RP, Document #14, Sep. 15, 2016, 1 page.

United States District Court Western District of Texas Austin Division, “Answer,” *YETI Coolers, LLC v. Tree Leaf Marketing, LLC d/b/a Big Frig*, Case: 1:16-cv-00699-RP, Document #11, Oct. 21, 2016, 8 pages.

United States District Court Western District of Texas Austin Division, “Complaint” *YETI Coolers, LLC v. Zhejiang Ihuosheng Industry & Trade Co, Ltd., d/b/a Wuyi Zhuosheng Household Metal Products Co., Ltd., d/b/a Yongkang ihuosheng Metal Products Co., Ltd., d/b/a Zhejiang Zhuosheng Industry & Trade Co, Ltd.*, Case 1:17-cv-00821, Document 1, filed Aug. 23, 2017, 27 pages.

United States District Court Western District of Texas Austin Division, “Complaint,” *YETI Coolers, v. Bayou Ice Boxes, Inc.*, Case: 1:17-cv-00261, Document #1, filed Mar. 24, 2017, 41 pages.

United States District Court Western District of Texas Austin Division, “Complaint,” *YETI Coolers, v. Benner China and Glassware Florida, Inc.*, Case: 1:16-cv-00142-RP, Document #1, filed Feb. 16, 2016, 21 pages.

United States District Court Western District of Texas Austin Division, “Complaint,” *YETI Coolers, LLC v. Blackbird Products Group, LLC, d/b/a Mammoth Coolers*, Case: 1:15-cv-01105, Document #1, filed Dec. 7, 2015, 266 pages.

United States District Court Western District of Texas Austin Division, “Complaint,” *YETI Coolers, LLC v. Gametime Sidekicks, LLC*, Case 1:17-cv-00413, Document 1, filed May 5, 2017, 107 pages.

United States District Court Western District of Texas Austin Division, “Complaint,” *YETI Coolers, LLC v. Glacier coolers, LLC, and Tecomate Holdings, LLC*, Case 1:17-cv-00586, Document 1, filed Jun. 15, 2017, 161 pages.

United States District Court Western District of Texas Austin Division, “Complaint,” *YETI Coolers, LLC v. Godinger Silver Art, Ltd., Cathy’s Concepts, Inc., Viatek Consumer Products Group, Inc.*, Case: 1:17-cv-00467, Document #1, filed May 16, 2017, 22 pages.

United States District Court Western District of Texas Austin Division, “Complaint,” *YETI Coolers, LLC v. Gourmet Home Products, LLC*, Case: 1:17-cv-00533, Document #1, filed Jun. 2, 2017, 25 pages.

United States District Court Western District of Texas Austin Division, “Complaint,” *YETI Coolers, LLC v. Great American Products, Ltd.*, Case: 1:15-cv-00686, Document #1, filed Aug. 6, 2015, 20 pages.

United States District Court Western District of Texas Austin Division, “Complaint,” *YETI Coolers, LLC v. Home Depot U.S.A., Inc., Takeya USA Corporation*, Case: 1:17-cv-00342, Document #1, filed Apr. 12, 2017, 24 pages.

United States District Court Western District of Texas Austin Division, “Complaint,” *YETI Coolers, LLC v. Ideastage Promotions, LLC, d/b/a Swag Brokers*, Case: 1:15-cv-00774, Document #1, filed Sep. 2, 2015, 22 pages.

United States District Court Western District of Texas Austin Division, “Complaint,” *YETI Coolers, LLC v. Imagen Brands, LLC, d/b/a Crown Products, and Ebsco Industries, Inc.*, Case: 1:16-cv-00578-RP, Document #1, filed May 16, 2016, 20 pages.

United States District Court Western District of Texas Austin Division, “Complaint,” *YETI Coolers, LLC v. JDS Industries, Inc., Lionel Laundry Jr., d/b/a Accolades Awards & Engraving, Creating and Fast LLC d/b/a Promotional Products San Antonio, Kelly Scoggins d/b/a King Engraving, Jamey Z. Apps d/b/a Roberts Trophies, and Eagle Media, Inc.*, Case 1:17-cv-00424, Document 1, filed May 5, 2017, 62 pages.

United States District Court Western District of Texas Austin Division, “Complaint,” *YETI Coolers, LLC v. Jennifer Laverne Bootz Evans d/b/a Bling and Burlap Buy in’s and Blanks*, Case: 1:15-cv-00995, Document #1, filed Nov. 2, 2015, 128 pages.

(56)

## References Cited

## OTHER PUBLICATIONS

United States District Court Western District of Texas Austin Division, "Complaint," *YETI Coolers, LLC v. Kaiser Group Inc., d/b/a Thermo Steel, d/b/a Vino2GO, d/b/a Brew2Go*, Case: 1:15-cv-00725, Document #1, filed Aug. 19, 2015, 21 pages.

United States District Court Western District of Texas Austin Division, "Complaint," *YETI Coolers, LLC v. Kodiak coolers, LLC and Flexible Automation LLC*, Case 1:17-cv-00422, Document 1, filed May 5, 2017, 51 pages.

United States District Court Western District of Texas Austin Division, "Complaint," *YETI Coolers, LLC v. Kuer Outdoors, LLC*, Case: 1:16-cv-00631, Document #1, filed May 27, 2016, 89 pages.

United States District Court Western District of Texas Austin Division, "Complaint," *YETI Coolers, LLC v. Magnum Solace LLC*, Case: 1:16-cv-00663-RP, Document #1, filed Jun. 7, 2016, 24 pages.

United States District Court Western District of Texas Austin Division, "Complaint," *YETI Coolers, LLC v. MyCrew, LLC, MyCrew Drinkware, LLC and NNRiverLife, LLC*, Case: 1:16-cv-01008, Document #1, filed Aug. 26, 2016, 29 pages.

United States District Court Western District of Texas Austin Division, "Complaint," *YETI Coolers, LLC v. Polar Pad LLC, d/b/a Polar Pad Drifter, d/b/a Polar Pad, and Veterinary Internet Company, LLC, d/b/a VetInternetCo*, Case: 1:16-cv-00128, Document #1, Feb. 12, 2016, 24 pages.

United States District Court Western District of Texas Austin Division, "Complaint," *YETI Coolers, LLC v. Polar Pad LLC, d/b/a Polar Pad Drifter, d/b/a Polar Pad, and Veterinary Internet Company, LLC, d/b/a VetInternetCo*, Case: 1:16-cv-00677, Document #1, Jun. 10, 2016, 25 pages.

United States District Court Western District of Texas Austin Division, "Complaint," *YETI Coolers, LLC v. RTIC Coolers, LLC*, Case: 1:16-cv-00264, Document #1, filed Mar. 2, 2016, 34 pages.

United States District Court Western District of Texas Austin Division, "Complaint," *YETI Coolers, LLC v. Sam's West, Inc., and Sam's East, Inc.*, Case: 1:16-cv-00829, Document #1, Jun. 30, 2016, 21 pages.

United States District Court Western District of Texas Austin Division, "Complaint," *YETI Coolers, LLC v. Sic Products LLC, d/b/a Sic Cups, d/b/a Sic*, Case: 1:16-cv-00117-RP, Document #1, Feb. 4, 2016, 23 pages.

United States District Court Western District of Texas Austin Division, "Complaint," *YETI Coolers, LLC v. The Allen company, d/b/a Allen Color Craft*, Case: 1:15-cv-00888-RP, Document #1, Oct. 6, 2015, 24 pages.

United States District Court Western District of Texas Austin Division, "Complaint," *YETI Coolers, LLC v. The Boelter companies, Inc., Boelter Brands, LLC and Boelter Beverage, LLC*, Case: 1:16-cv-00456, Document #1, filed Apr. 8, 2016, 20 pages.

United States District Court Western District of Texas Austin Division, "Complaint," *YETI Coolers, LLC v. Titan Custom Products, Inc.*, Case: 1:15-cv-00775, Document #1, Sep. 2, 2015, 22 pages.

United States District Court Western District of Texas Austin Division, "Complaint," *YETI Coolers, LLC v. Tree Leaf Marketing, LLC d/b/a Big Frig*, Case: 1:16-cv-00699, Document #1, Jun. 17, 2016, 33 pages.

United States District Court Western District of Texas Austin Division, "Complaint," *YETI Coolers, LLC v. US Imprints, LLC, d/b/a GOimprints*, Case: 1:15-cv-00773, Document #1, Sep. 2, 2015, 22 pages.

United States District Court Western District of Texas Austin Division, "Complaint," *YETI Coolers, LLC v. Vickery Products, LLC d/b/a Axis Cups, f/d/b/a Frio Cups*, Case: 1:17-cv-00260, Document #1, filed Mar. 24, 2017, 52 pages.

United States District Court Western District of Texas Austin Division, "Complaint," *YETI Coolers, LLC v. Vickery Products, LLC d/b/a Axis Cups, f/d/b/a Frio Cups*, Case: 1:17-cv-00260, Document #1, Mar. 24, 2017, 52 pages.

United States District Court Western District of Texas Austin Division, "Complaint," *YETI Coolers, LLC v. Wadley Holdings,*

*LLC d/b/a Meadowcraft, and Southern Sales & Marketing Group, Inc. d/b/a/nICE*, Case 1:17-cv-00421, Document 1, filed May 5, 2017, 121 pages.

United States District Court Western District of Texas Austin Division, "Complaint," *YETI Coolers, LLC v. Wal-Mart Stores, Inc.*, Case: 1:16-cv-00454, Document #1, Apr. 8, 2016, 29 pages.

United States District Court Western District of Texas Austin Division, "Consent Judgment," *YETI Coolers, LLC v. The Boelter Companies, Inc., Boelter Brands, LLC and Boelter Beverage, LLC*, Case: 1:16-cv-00456-RP, Document #25, filed Sep. 13, 2016, 3 pages.

United States District Court Western District of Texas Austin Division, "Defendant Blackbird Products Group, LLC's Answer and Affirmative Defenses to Plaintiff YETI Coolers, LLC's Complaint," *YETI Coolers, LLC v. Blackbird Products Group, LLC, d/b/a Mammoth Coolers*, Case: 1:15-cv-01105-Ss, Document #13, filed Dec. 28, 2015, 11 pages.

United States District Court Western District of Texas Austin Division, "Defendant Kaiser Group Inc.'s Answer, Affirmative Defenses, and Counterclaims to Plaintiff YETI Coolers, LLC's Complaint," *YETI Coolers, LLC v. Kaiser Group Inc., d/b/a Thermo Steel, d/b/a Vino2Go, d/b/a Brew2GO*, Case: 1:15-cv-00725-RP, Document #14, filed Oct. 13, 2015, 65 pages.

United States District Court Western District of Texas Austin Division, "Defendant RTIC Drinkware, LLC, RTIC Web Services, LLC, Corporate Support & Fulfillment, LLC, John Jacobsen, and James Jacobsen's Answer and counterclaims to YETI's First Amended Complaint for Damages and Injunctive Relief," *YETI Coolers, LLC v. RTIC Coolers, LLC, RTIC Drinkware, LLC, RTIC Web Services, LLC, Corporate Support & Fulfillment, LLC; John Jacobsen; and James Jacobsen*, Case: 1:16-cv-00264-RP, Document #25, filed Jun. 13, 2016, 42 pages.

United States District Court Western District of Texas Austin Division, "Defendant's Answer to Plaintiffs Complaint and Affirmative Defenses," *YETI Coolers, LLC v. MyCrew, LLC, MyCrew Drinkware, LLC and NNRiverLife, LLC*, Case: 1:16-cv-01008-RP, Document #14, filed Nov. 29, 2016, 12 pages.

United States District Court Western District of Texas Austin Division, "Defendant's Answer," *YETI Coolers, LLC v. Magnum Solace LLC*, Case: 1:16-cv-00663-RP, Document #34, filed Apr. 13, 2017, 7 pages.

United States District Court Western District of Texas Austin Division, "Defendant's Rule 12(B)(6) Motion to Dismiss for Failure to State a Claim," *YETI Coolers, LLC v. Magnum Solace LLC*, Case: 1:16-cv-00663-RP, Document #10, filed Aug. 5, 2016, 30 pages.

United States District Court Western District of Texas Austin Division, "Defendants Sam's West, Inc. and Sam's East, Inc.'s Answer to Complaint," *YETI Coolers, LLC v. Sam's West, Inc., and Sam's East, Inc.*, Case: 1:16-cv-00829-RP, Document #16, filed Aug. 26, 2016, 11 pages.

United States District Court Western District of Texas Austin Division, "Defendants' Answer to Complaint," *YETI coolers, LLC v. The Boelter Companies, Inc., Boelter Brands, LLC and Boelter Beverage, LLC*, Case: 1:16-cv-00456-RP, Document #21, filed Jun. 7, 2016, 9 pages.

United States District Court Western District of Texas Austin Division, "First Amended Complaint," *YETI Coolers, LLC v. Sam's West, Inc., and Sam's East, Inc.*, Case: 1:16-cv-00829-RP, Document #32, filed Jan. 9, 2017, 24 pages.

United States District Court Western District of Texas Austin Division, "First Amended Complaint," *YETI Coolers, LLC v. Sic Products LLC, d/b/a Sic Cups, d/b/a Sic*, Case: 1:16-cv-00117-RP, Document #34, Nov. 21, 2016, 25 pages.

United States District Court Western District of Texas Austin Division, "First Amended Complaint," *YETI Coolers, LLC v. Wal-Mart Stores, Inc. and Olympia Tools International, Inc.*, Case: 1:16-cv-00454-RP, Document #17, May 24, 2016, 26 pages.

United States District Court Western District of Texas Austin Division, "Olympia Tools International, Inc.'s Answer to YETI Coolers, LLC's First Amended Complaint," *YETI Coolers, LLC v. Wal-Mart Stores, Inc. and Olympia Tools International, Inc.*, Case: 1:16-cv-00454-RP, Document #28, Jul. 14, 2016, 12 pages.

(56)

**References Cited**

## OTHER PUBLICATIONS

United States District Court Western District of Texas Austin Division, "Order," *RTIC Drinkware, LLC v. YETI Coolers, LLC*, Case: 1:16-cv-00907-RP, Document #47, filed Oct. 13, 2016, 3 pages.

United States District Court Western District of Texas Austin Division, "Order," *YETI Coolers, LLC v. Blackbird Products Group, LLC, d/b/a Mammoth Coolers*, Case: 1:15-cv-01105-RP, Document #26, filed Apr. 20, 2016, 1 page.

United States District Court Western District of Texas Austin Division, "Order," *YETI Coolers, LLC v. Great American Products, Ltd.*, Case: 1:15-cv-00686-RP, Document #25, filed Mar. 14, 2016, 1 page.

United States District Court Western District of Texas Austin Division, "Order," *YETI Coolers, LLC v. Ideastage Promotions, LLC, d/b/a Swag Brokers*, Case: 1:15-cv-00774-RP, Document #19, filed Dec. 21, 2015, 1 page.

United States District Court Western District of Texas Austin Division, "Order," *YETI Coolers, LLC v. Jennifer Leveme Bootz Evans d/b/a Bling and Burlap Buy in's and Blanks*, Case: 1:15-cv-00995-RP, Document #18, filed Apr. 18, 2016, 1 page.

United States District Court Western District of Texas Austin Division, "Order," *YETI Coolers, LLC v. Polar Pad LLC, d/ b/a Polar Pad Drifter, d/b/a Polar Pad, and Veterinary Internet Company, LLC, d/b/a VetInternetCo*, Case: 1:16-cv-00128-RP, Document #17, Jun. 17, 2016, 1 page.

United States District Court Western District of Texas Austin Division, "Order," *YETI Coolers, LLC v. US Imprints, LLC, d/b/a GOimprints*, Case: 1:15-cv-00773-RP, Document #23, Apr. 25, 2016, 1 page.

United States District Court Western District of Texas Austin Division, "Plaintiff YETI Coolers, LLC's Original complaint," *YETI Coolers, LLC v. Ontel Products Corporation and World Pack USA, LLC*, Case: 1:17-cv-00091-RP, Document #1, filed Feb. 8, 2017, 65 pages.

United States District Court Western District of Texas Austin Division, "Plaintiffs' Complaint for Damages and Injunctive Relief," *YETI Coolers, LLC v. Houssam Rabi d/b/a Hoo-Sizzy*, Case 1:17-cv-00418, Document 1, filed May 5, 2017, 37 pages.

United States District Court Western District of Texas Austin Division, "Plaintiffs' Complaint for Damages and Injunctive Relief," *YETI Coolers, LLC v. Seth Stevens d/b/a SDS Marketing d/b/a Eskimo Coolers, Panther Group LLC d/b/a Eskimo Coolers, Panther Group Sales, LLC d/b/a Eskimo Coolers, and Silver Fox Sales, LLC*, Case 1:17-cv-00423, Document 1, filed May 5, 2017, 77 pages.

United States District Court Western District of Texas Austin Division, "RTIC Drinkware's First Amended Complaint for Declaratory Judgment," *RTIC Drinkware, LLC v. YETI Coolers, LLC*, Case: 1:16-cv-00907-RP, Document #52, filed November 14, 2016, 124 pages.

United States District Court Western District of Texas Austin Division, "Sic Products, LLC's Answer, Affirmative Defenses, and Counterclaims to Plaintiff's Amended Complaint," *YETI Coolers,*

*LLC v. Sic Products LLC, d/b/a Sic cups, d/b/a Sic*, Case: 1:16-cv-00117-RP, Document #35, Dec. 5, 2016, 81 pages.

United States District Court Western District of Texas Austin Division, "Sic Products, LLC's Answer, Affirmative Defenses, and Counterclaims to Plaintiff's Complaint," *YETI Coolers, LLC v. Sic Products LLC, d/b/a Sic Cups, d/b/a Sic*, Case: 1:16-cv-00117-RP, Document #14, Jun. 3, 2016, 38 pages.

United States District Court Western District of Texas Austin Division, "Veterinary Internet Company, LLC d/b/a VetInternetCo's Answer to Plaintiffs Complaint," *YETI Coolers, LLC v. Polar Pad LLC, d/b/a Polar Drifter, d/b/a Polar Pad, and Veterinary Internet Company, LLC, d/b/a VetInternetCo*, Case: 1:16-cv-00677-RP, Document #11, Aug. 19, 2016, 12 pages.

United States District Court Western District of Texas Austin Division, "Wal-Mart Stores, Inc.'s Answer to First Amended Complaint," *YETI Coolers, LLC v. Wal-Mart Stores, Inc. and Olympia Tools International, Inc.*, Case: 1:16-cv-00454-RP, Document #22, Jun. 7, 2016, 13 pages.

United States District Court Western District of Texas Austin Division, "YETI Coolers, LLC's Answer to RTIC Drinkware LLC's Complaint," *RTIC Drinkware, LLC v. YETI Coolers, LLC*, Case: 1:16-cv-00907-RP, Document #35, filed Aug. 3, 2016, 27 pages.

United States District Court Western District of Texas Austin Division, "YETI Coolers, LLC's Answer to RTIC Drinkware's First Amended Complaint," *RTIC Drinkware, LLC v. YETI Coolers, LLC*, Case: 1:16-cv-00907-RP, Document #58, filed Dec. 1, 2016, 15 pages.

United States District Court Western District of Texas Austin Division, "YETI Coolers, LLC's Answer to RTIC Drinkware, LLC's, RTIC Web Services, LLC's, Corporate Support & Fulfillment, LLC's, John Jacobsen's, and James Jacobsen's Counterclaims," *YETI Coolers, LLC v. RTIC Coolers, LLC, RTIC Drinkware, LLC, RTIC Web Services, LLC, Corporate Support & Fulfillment, LLC, John Jacobsen, and James Jacobsen*, Case: 1:16-cv-00264-RP, Document #31, filed Jul. 7, 2016, 7 pages.

United States District Court Western District of Texas Austin Division, "Yeti Coolers, LLC's Answer to Sic Products, LLC Counterclaims to YETI Coolers, LLC's Amended Complaint," *YETI Coolers, LLC v. Sic Products LLC, d/b/a Sic cups, d/b/a Sic*, Case: 1:16-cv-00117-RP, Document #38, Dec. 19, 2016, 20 pages.

United States District Court Western District of Texas Austin Division, "YETI Coolers, LLC's Answer to Sic Products, LLC Counterclaims," *YETI Coolers, LLC v. Sic Products LLC, d/b/a Sic Cups, d/b/a Sic*, Case: 1:16-cv-00117-RP, Document #21, Sep. 29, 2016, 15 pages.

United States District Court Western District of Texas Austin Division, "YETI Coolers, LLC's First Amended Complaint," *YETI Coolers, LLC v. RTIC Coolers, LLC, RTIC Drinkware, LLC, RTIC Web Services, LLC, Corporate Support & Fulfillment, LLC, John Jacobsen, and James Jacobsen*, Case: 1:16-cv-00264-RP, Document #15, filed May 16, 2016, 110 pages.

Vat19, "16 oz. Dual Auto/USB Heated Mug", retrieved from <<https://www.vat19.com/item/16-oz-dual-auto-usb-heater-aoffee-mug>> on Aug. 27, 2015.

\* cited by examiner

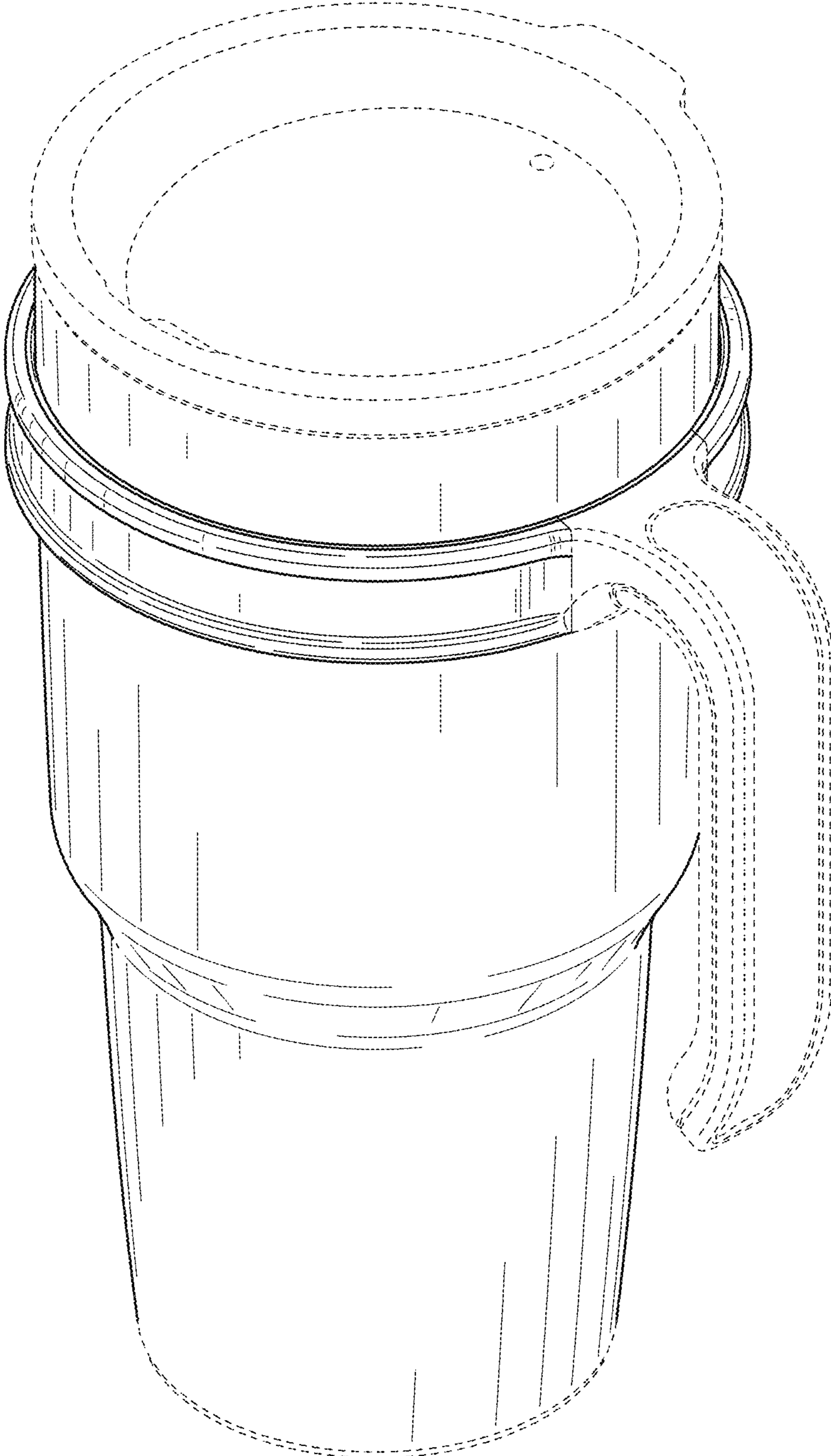


FIG. 1

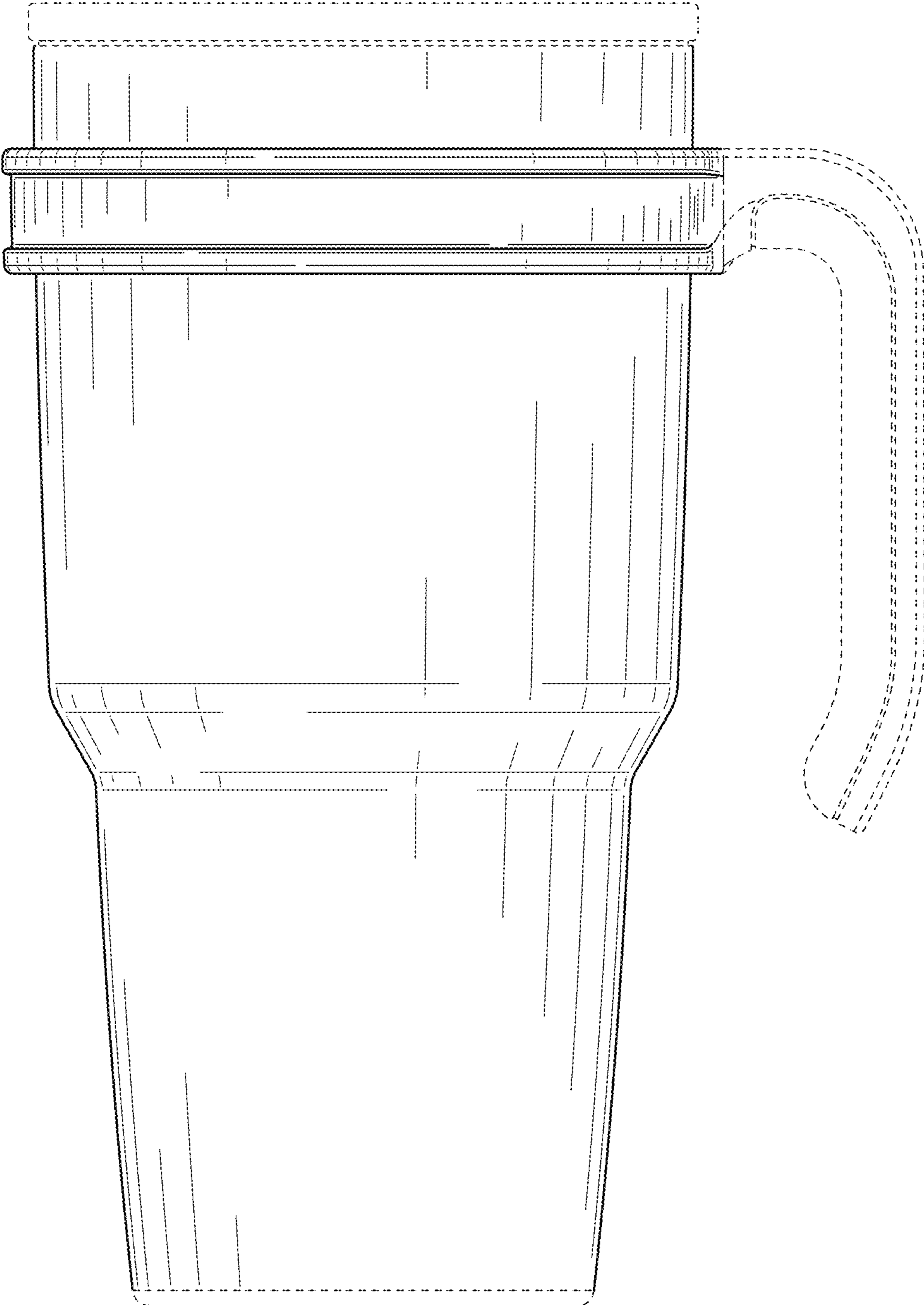


FIG. 2



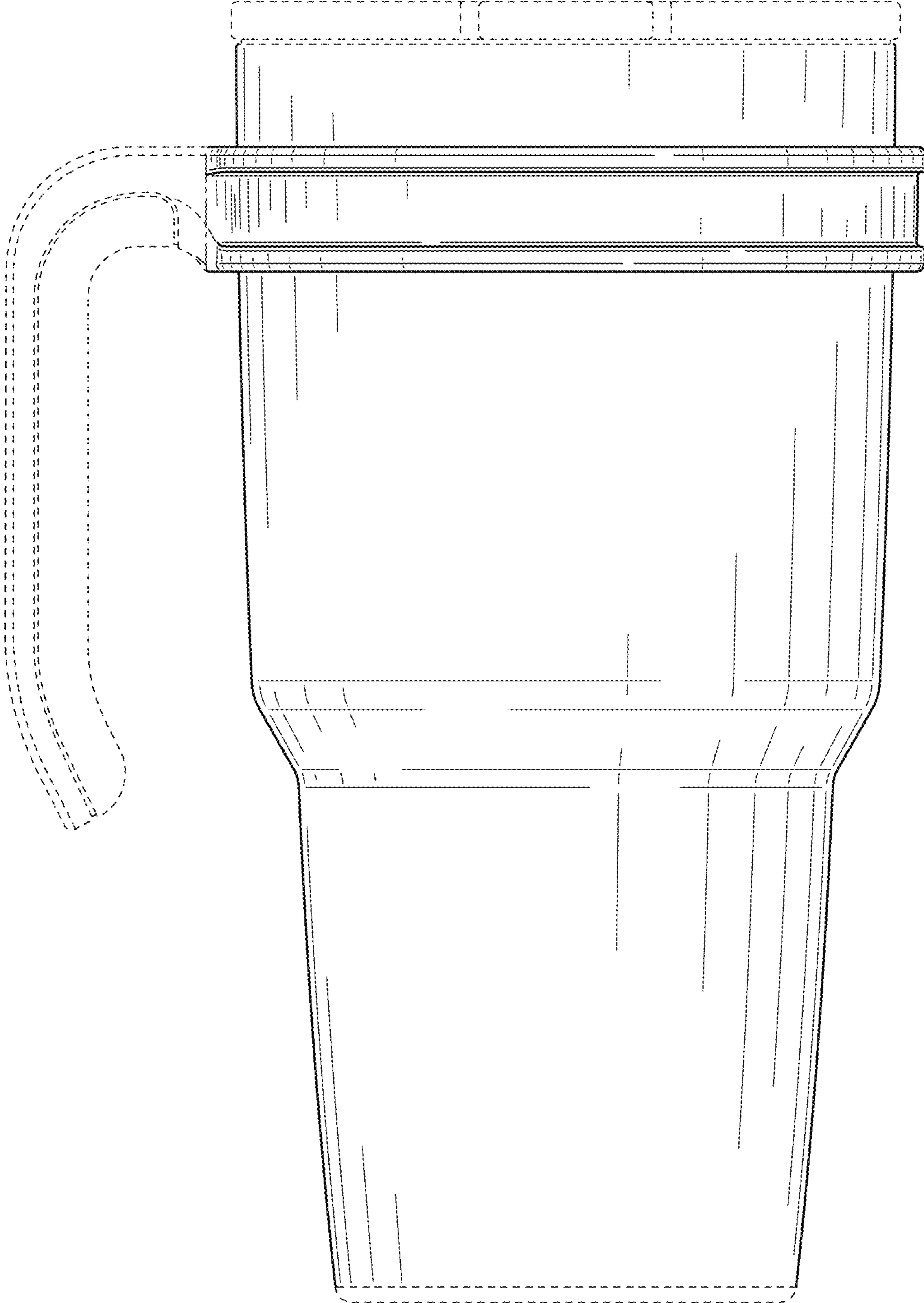


FIG. 3

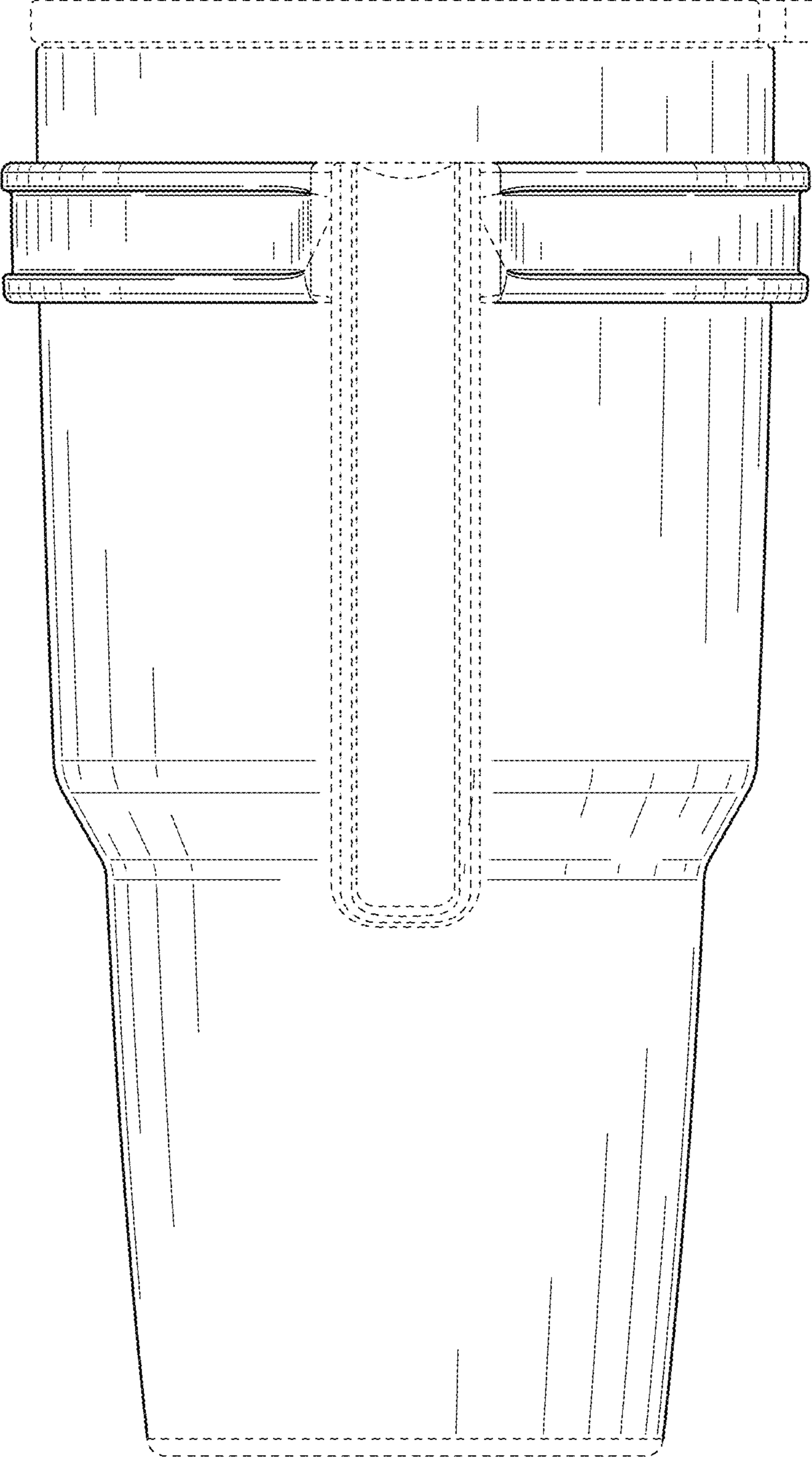


FIG. 4

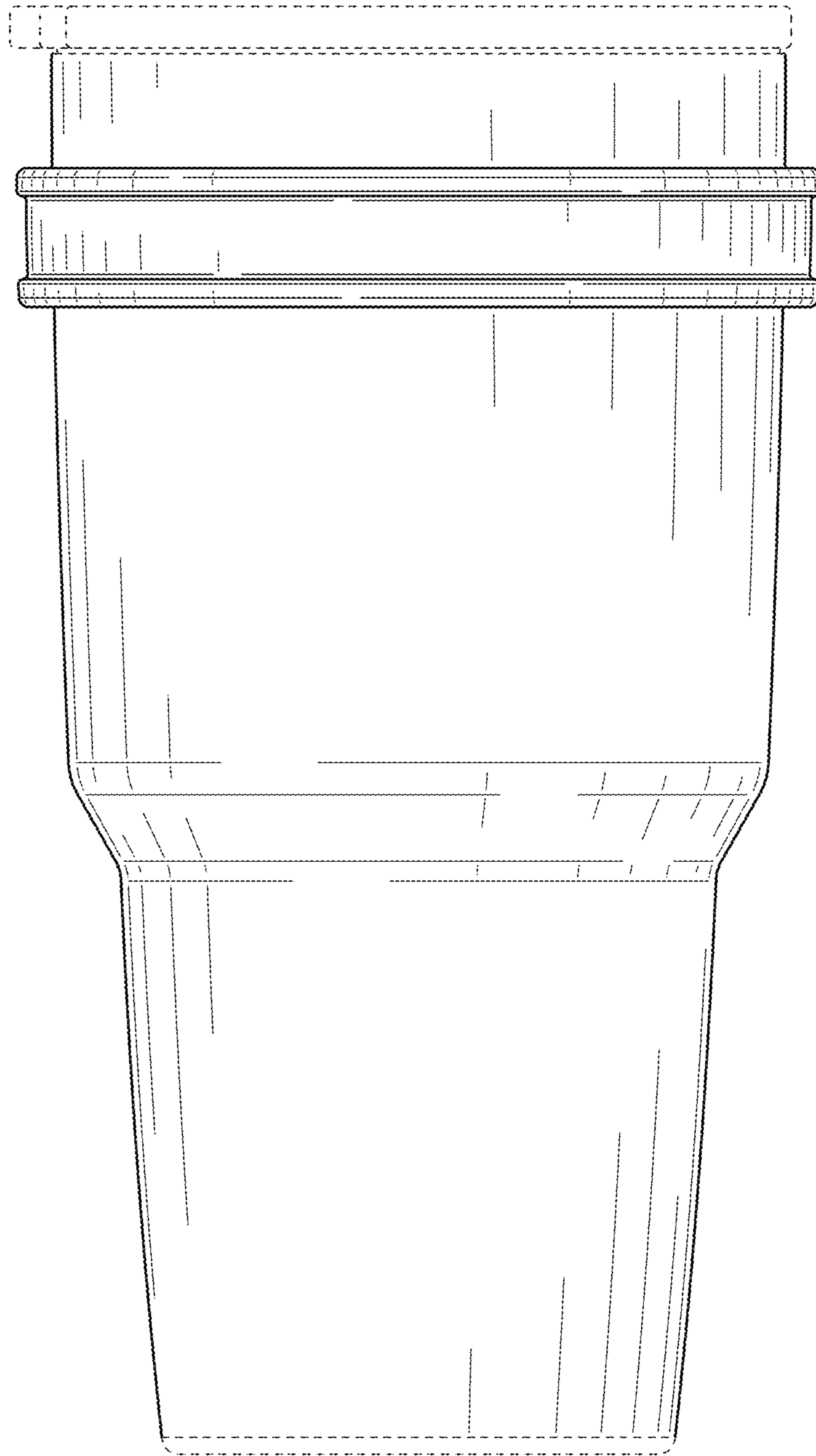


FIG. 5

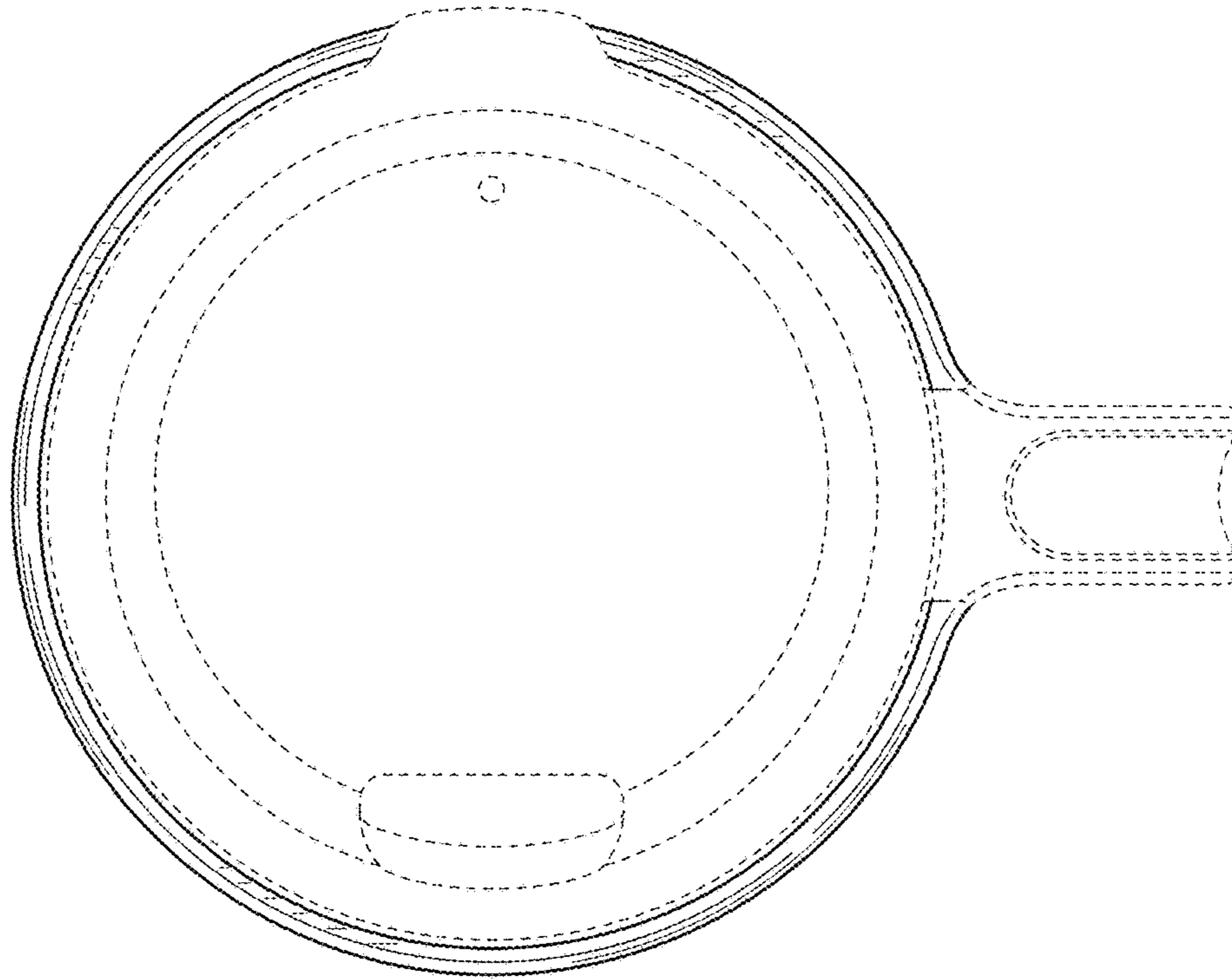


FIG. 6

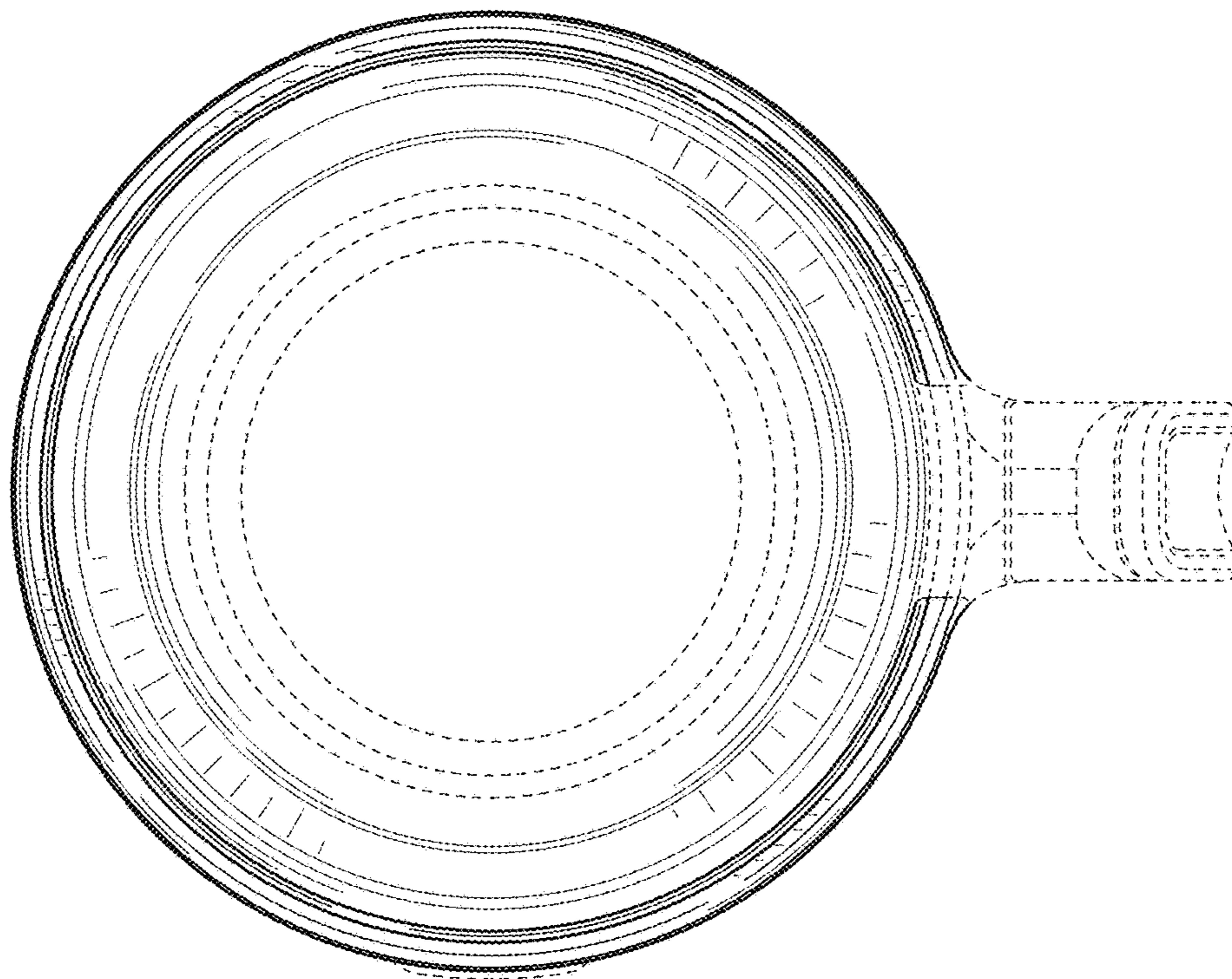


FIG. 7

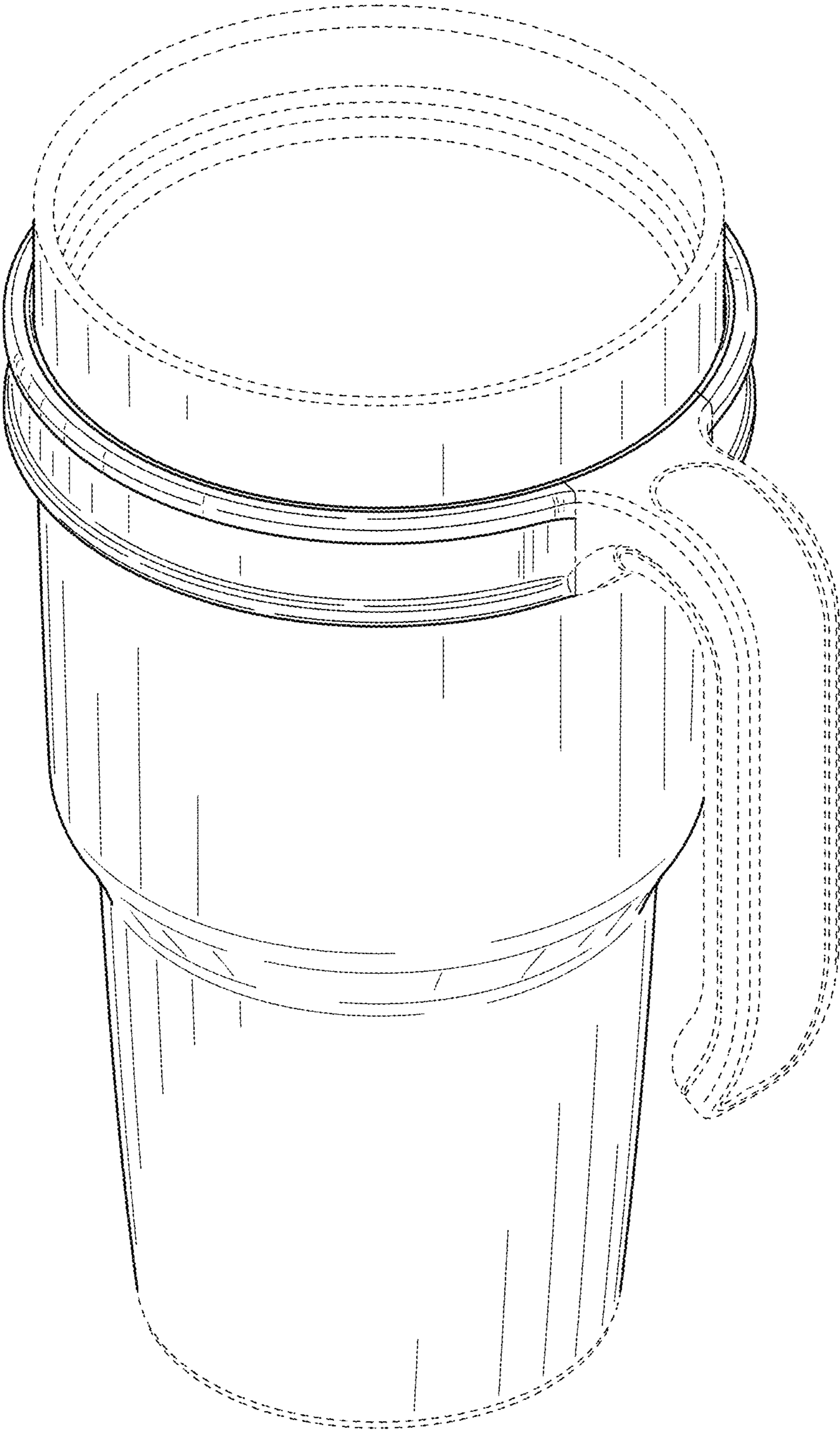


FIG. 8

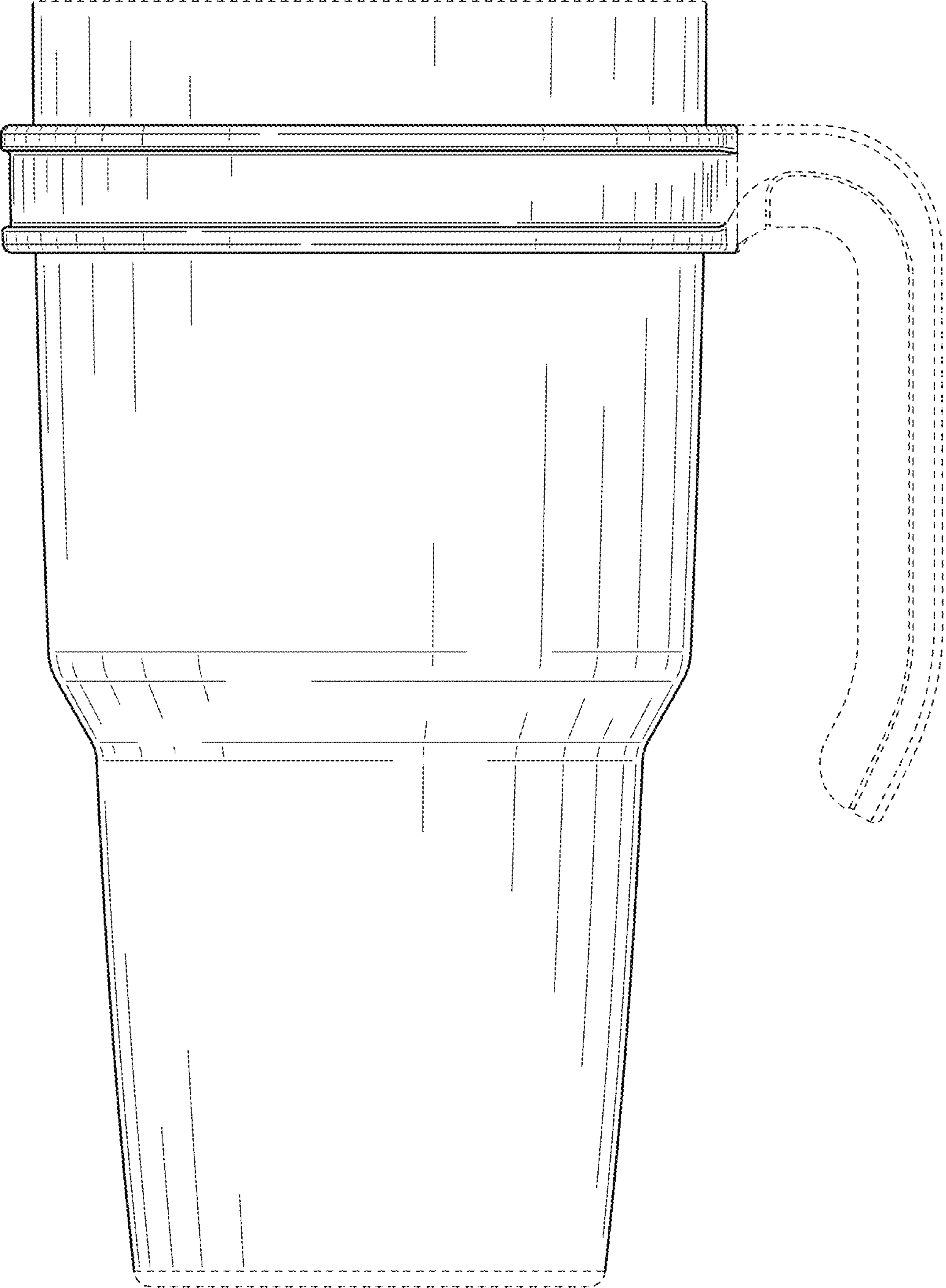


FIG. 9

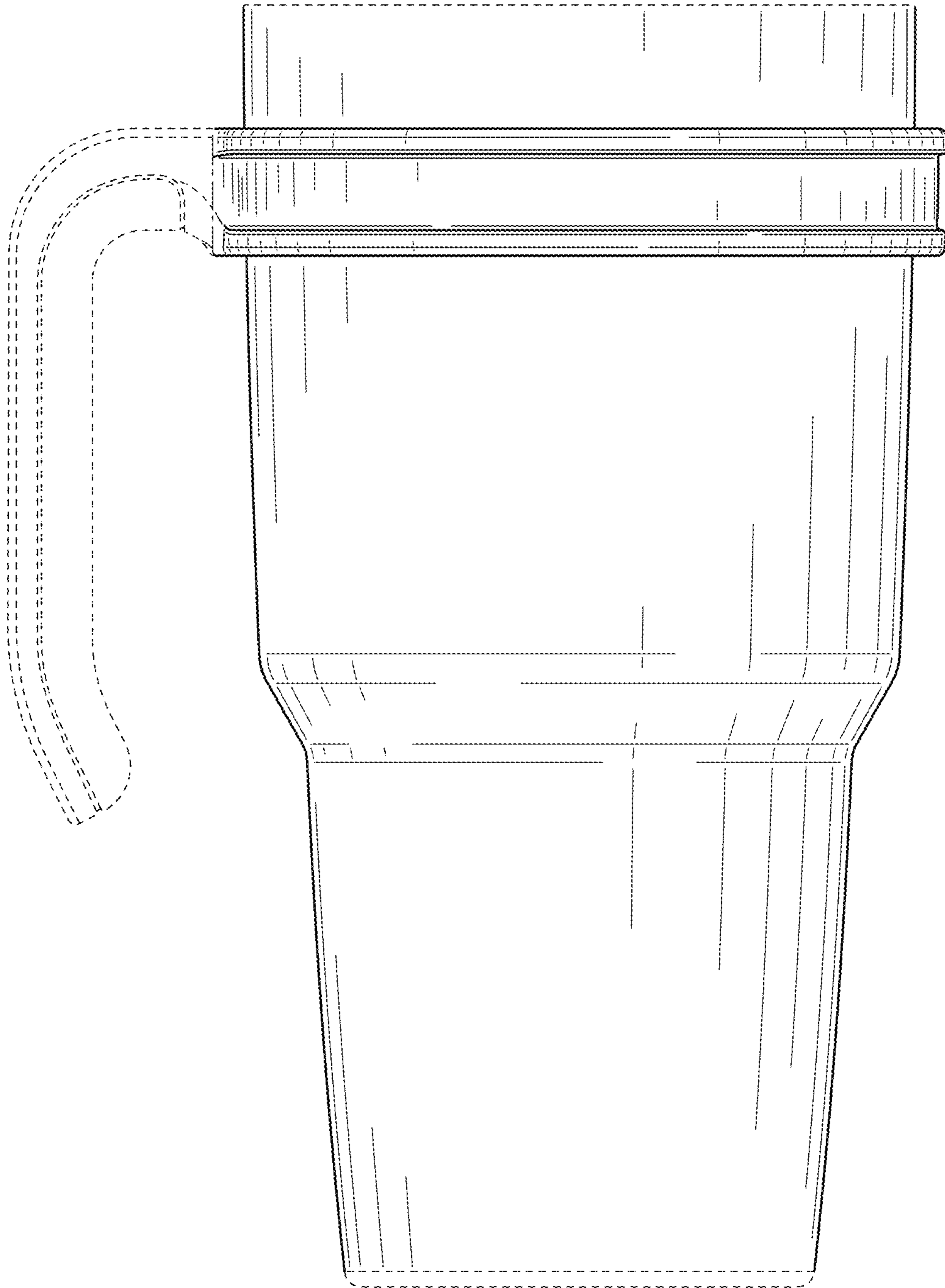


FIG. 10

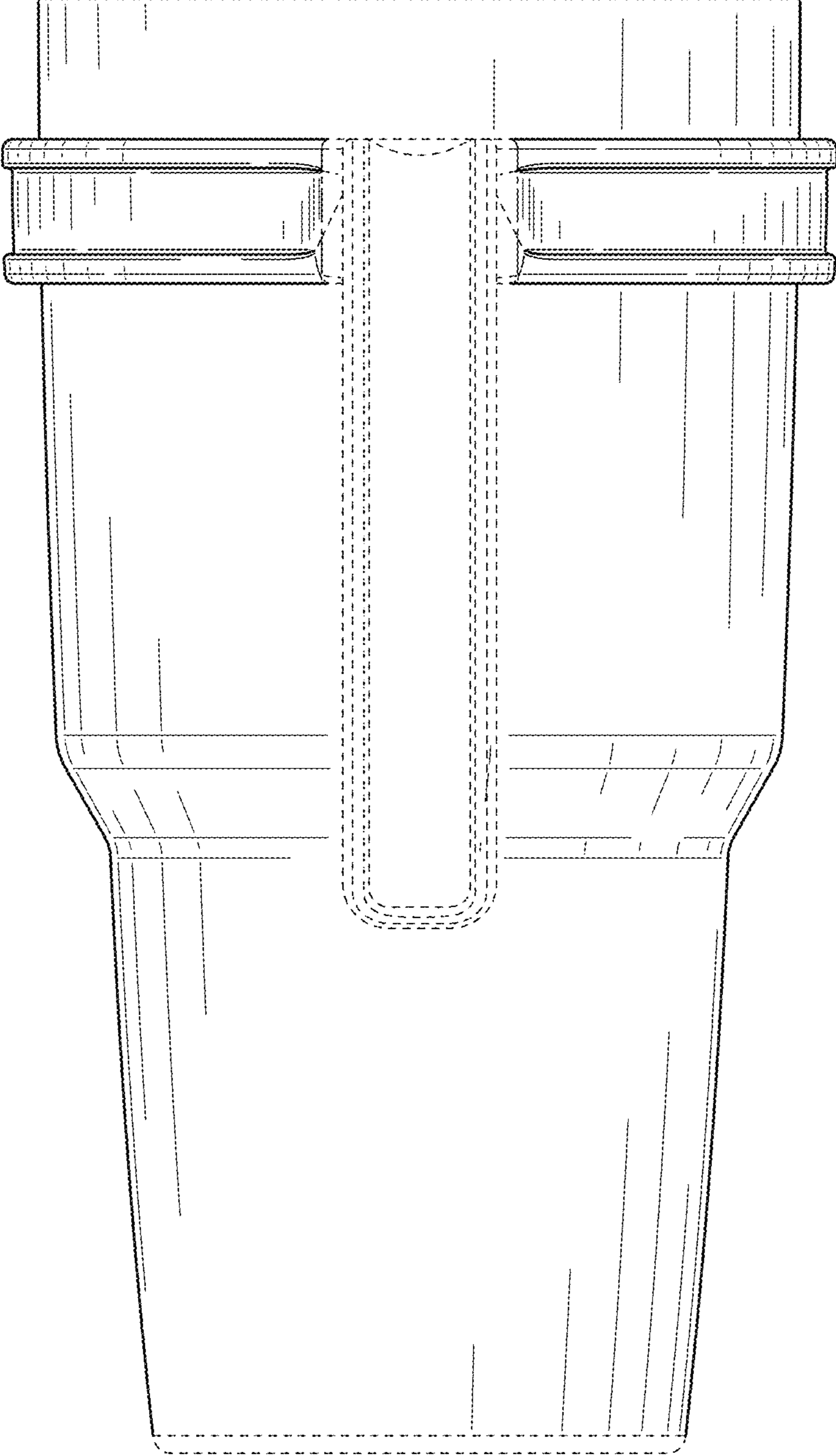


FIG. 11



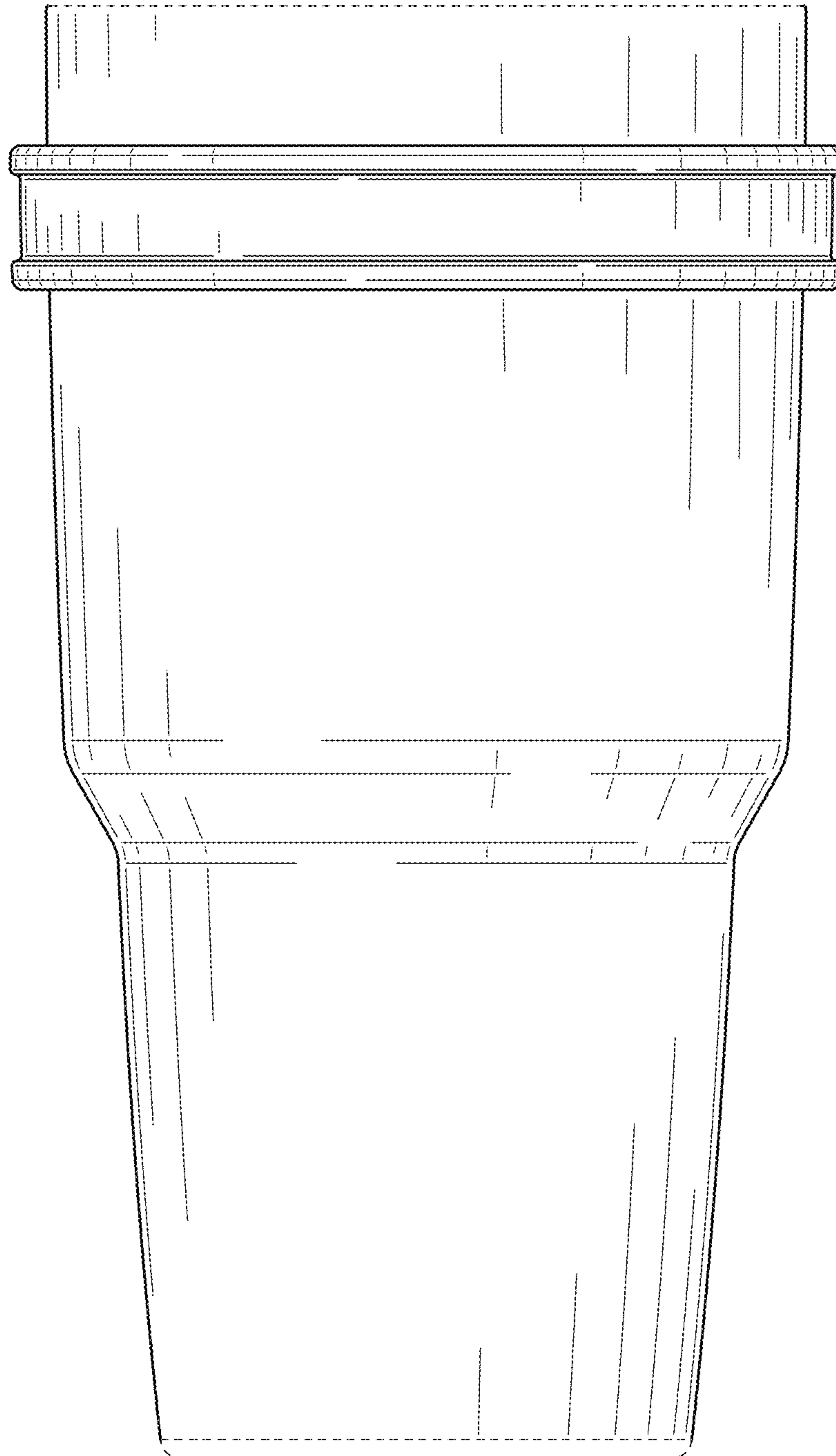


FIG. 12

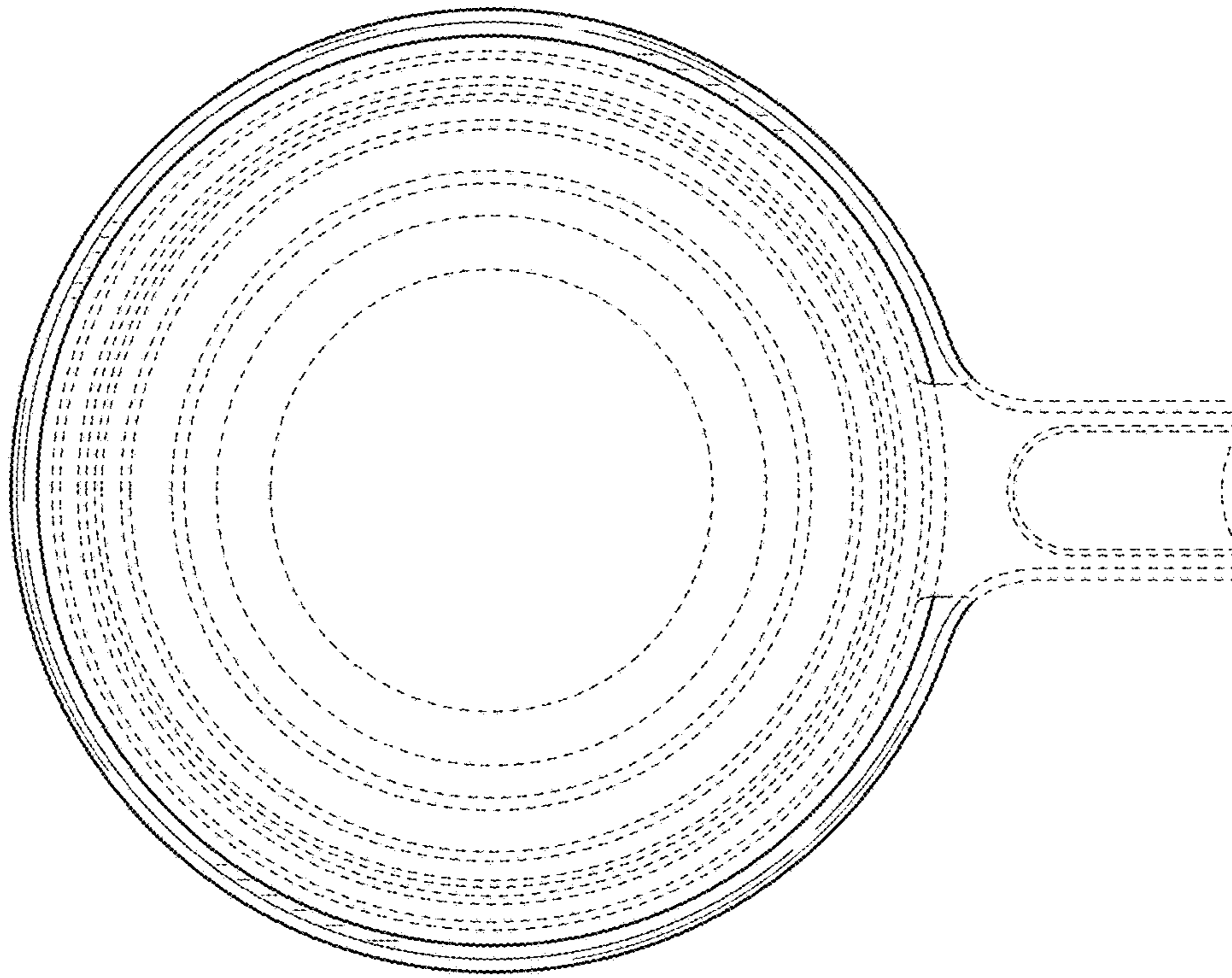


FIG. 13

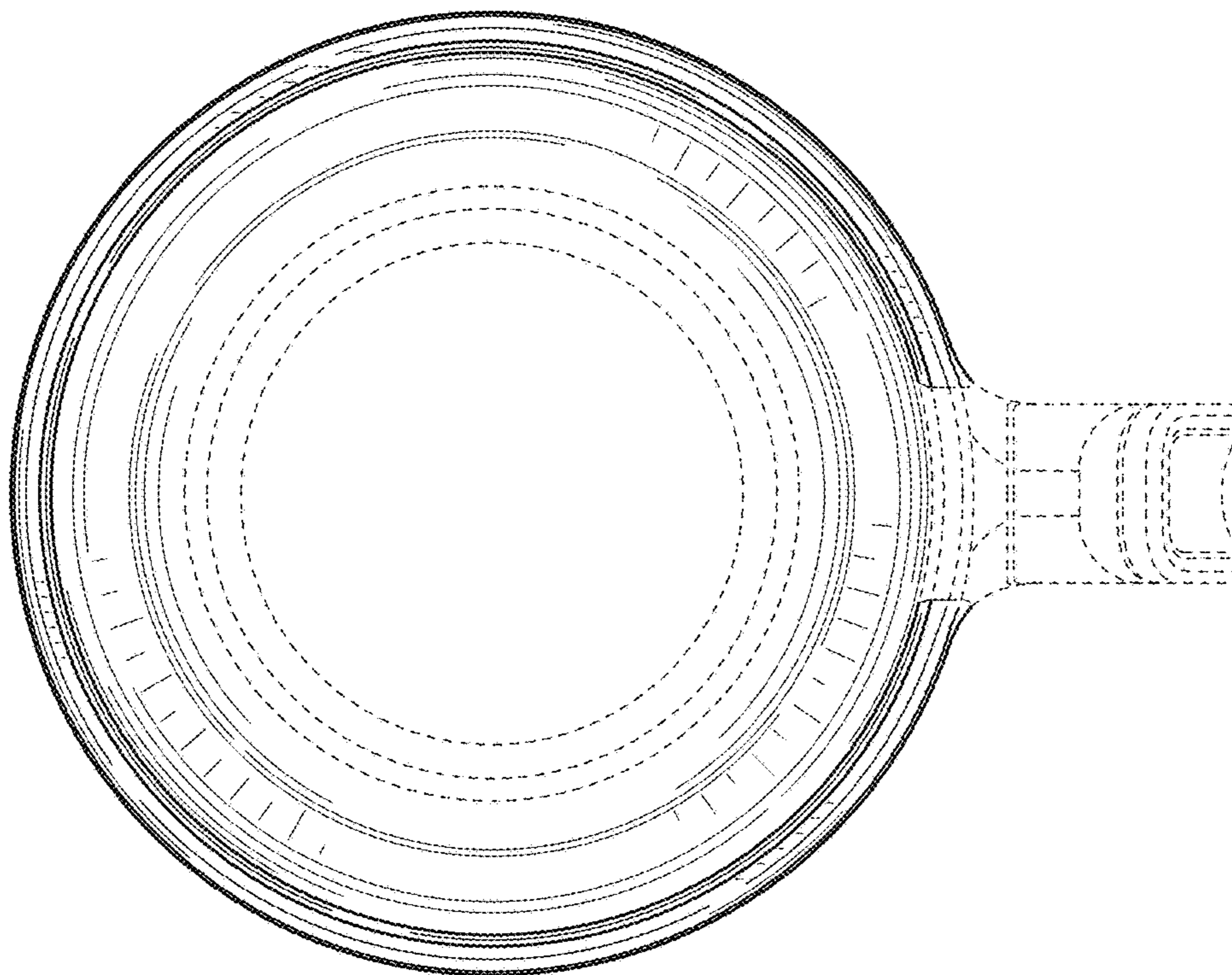


FIG. 14