



US00D813604S

(12) **United States Design Patent** (10) **Patent No.:** **US D813,604 S**
Tu (45) **Date of Patent:** **** Mar. 27, 2018**

(54) **BLENDER ATTACHMENT**

FOREIGN PATENT DOCUMENTS

(71) Applicant: **SharkNinja Operating LLC**,
Needham, MA (US)

CN 101637242 A 2/2010
CN 203468415 U 3/2014

(Continued)

(72) Inventor: **Joyce Chien Tu**, Arlington, MA (US)

OTHER PUBLICATIONS

(73) Assignee: **SHARKNINJA OPERATING LLC**,
Newton, MA (US)

Application for Registration of an Industrial Design Examiner's Report; Canadian Application No. 166420; dated May 11, 2016; 2 Pages.

(Continued)

(**) Term: **15 Years**

(21) Appl. No.: **29/625,144**

Primary Examiner — Ricky Pham

(22) Filed: **Nov. 7, 2017**

(74) *Attorney, Agent, or Firm* — Cantor Colburn LLP

Related U.S. Application Data

(57) **CLAIM**

The ornamental design for blender attachment, as shown and described.

(62) Division of application No. 29/600,213, filed on Apr. 10, 2017, now Pat. No. Des. 804,248, which is a
(Continued)

DESCRIPTION

(51) **LOC (11) Cl.** **31-00**

FIG. 1 is a perspective view of a blender attachment, showing our new design in another embodiment;

(52) **U.S. Cl.**

USPC **D7/413**; D7/376; D7/378; D7/412

FIG. 2 is a front view of the embodiment shown in FIG. 1;

(58) **Field of Classification Search**

USPC D7/372, 376–386, 412–413, 505, 531, D7/602, 629, 665–666, 669, 679, D7/693–694; D9/429

FIG. 3 is a back view of the embodiment shown in FIG. 1;

CPC A21C 1/02; A21C 1/04; A23N 1/00; A23N 1/02; A47G 19/22; A47J 19/027; A47J 43/04; A47J 43/25; A47J 43/27; A47J 43/042; A47J 43/044; A47J 43/046; A47J
(Continued)

FIG. 4 is side view of the embodiment shown in FIG. 1; FIG. 5 is another side view of the embodiment shown in FIG. 1;

(56) **References Cited**

U.S. PATENT DOCUMENTS

3,627,008 A 12/1971 Samuellan
4,430,557 A 2/1984 Eichelberger et al.

(Continued)

FIG. 6 is a top view of the embodiment shown in FIG. 1; FIG. 7 is a bottom view of the embodiment shown in FIG. 1; and

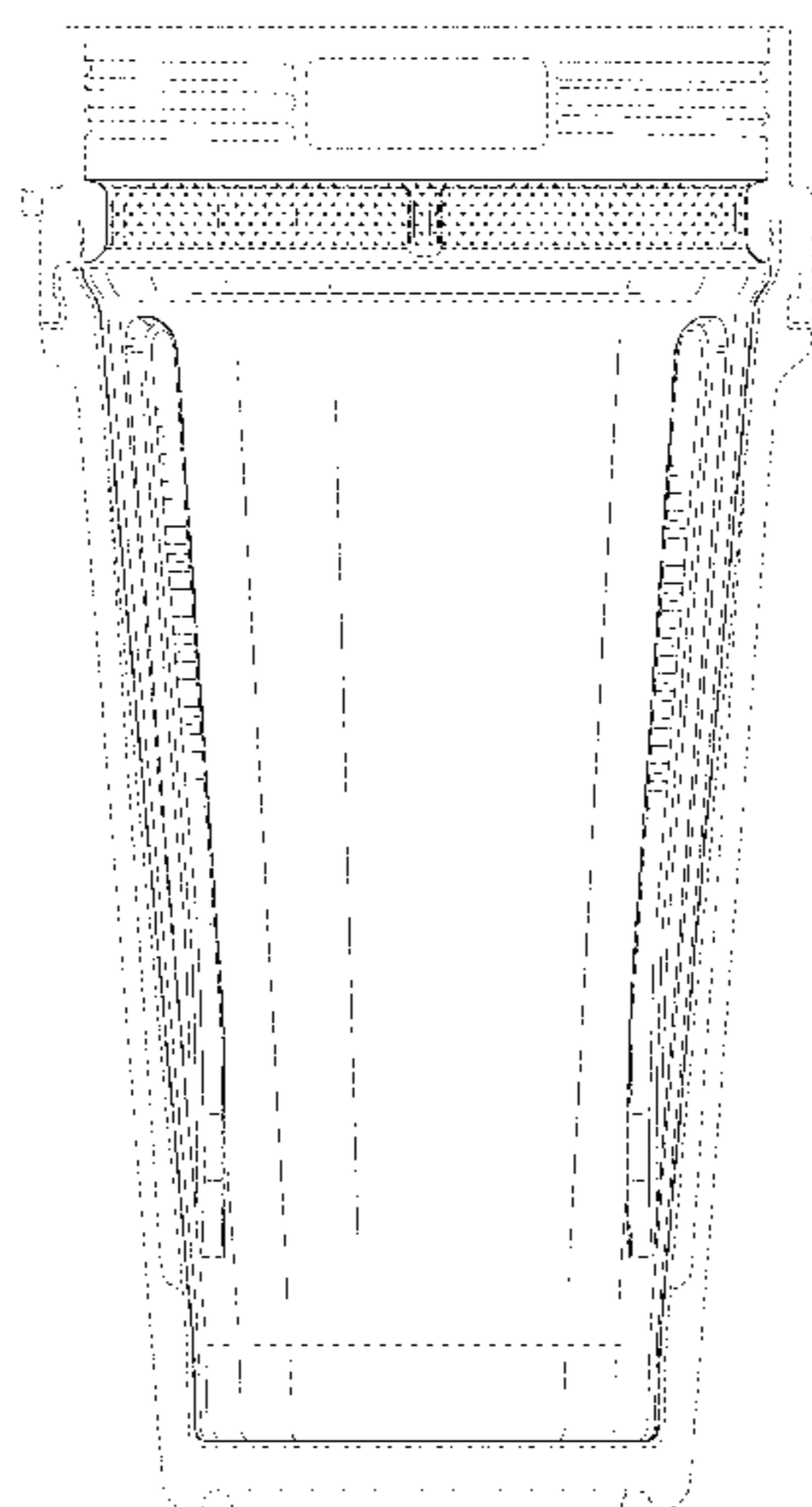
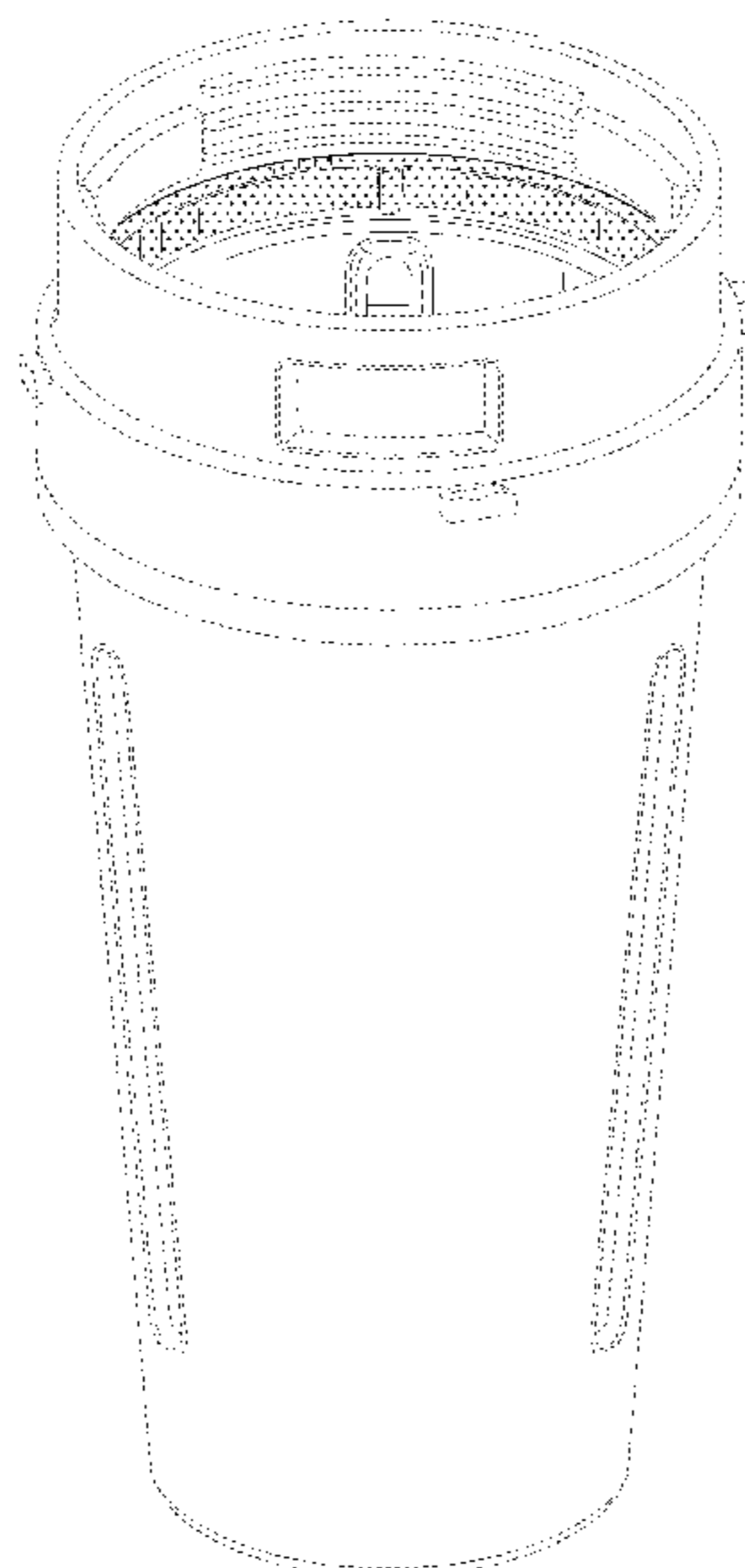
FIG. 8 is a cross-sectional view of the embodiment shown in FIG. 4, taken along lines 8-8; and,

FIG. 9 is another perspective view of the embodiment shown in FIG. 1, as shown in a blender environment.

The broken lines in the figures are for environmental purposes only and form no part of the claimed design.

The stippling represents a contrast in appearance and/or material from the other claimed portions of the design.

1 Claim, 8 Drawing Sheets



Related U.S. Application Data

division of application No. 29/533,491, filed on Jul. 17, 2015, now Pat. No. Des. 783,355.

(58) **Field of Classification Search**

CPC .. 43/075; A47J 43/0722; A47J 43/0727; B01F 3/00; B01F 3/0807; B01F 3/0853; B01F 13/0059; B01F 13/0064; B02C 1/08; B02C 2/04; B02C 4/42; B02C 4/142; B02C 4/143; B02C 4/423; B02C 13/1835; B28C 5/10; B28C 5/12; B28C 5/14; B28C 5/16; B65D 1/265; B65D 43/021

See application file for complete search history.

(56)

References Cited

U.S. PATENT DOCUMENTS

5,233,932	A	8/1993	Robertson	
5,613,720	A	3/1997	Shaddy	
5,655,805	A	8/1997	Shaddy	
5,671,664	A	9/1997	Jacobson	
5,918,761	A	7/1999	Wissinger	
6,050,443	A	4/2000	Tung	
6,216,909	B1	4/2001	Lin	
6,450,363	B1	9/2002	Lin	
6,511,031	B2	1/2003	Lin	
6,786,440	B2	9/2004	Ling et al.	
6,817,750	B1*	11/2004	Sands	A47J 19/027 366/205
D532,255	S	11/2006	Sands	
D549,043	S	8/2007	Beesley et al.	
D565,353	S	4/2008	Roth et al.	
D632,918	S	2/2011	Gordon	
D653,493	S	2/2012	Enghard	
D655,133	S	3/2012	Brinckerhoff et al.	
D656,357	S	3/2012	Enghard	
8,393,262	B1	3/2013	Molayem	
D683,590	S	6/2013	Austin	
D690,162	S	9/2013	Staton	
D696,062	S	12/2013	Picozza et al.	
D696,063	S	12/2013	Coakley et al.	
D697,798	S*	1/2014	Sorensen	D9/429
D699,996	S	2/2014	De Leo	
8,672,164	B2	3/2014	Honeyghan	
D712,196	S	9/2014	Ho et al.	
D727,097	S*	4/2015	Sorensen	D7/505
D731,850	S	6/2015	Smith	
D734,988	S	7/2015	Smith	
D737,629	S	9/2015	Sands	
D739,674	S	9/2015	Bergstrom	
D744,279	S	12/2015	Arciero et al.	
D751,344	S	3/2016	Charlton	
D760,026	S	6/2016	Smith et al.	
D767,334	S	9/2016	Pan	
D771,990	S	11/2016	Horowitz	
D775,892	S	1/2017	Smith	
D783,355	S	4/2017	Tu	
D788,527	S*	6/2017	Smith	D7/376
D797,505	S*	9/2017	Tu	D7/376
D797,506	S*	9/2017	Tu	D7/376
D798,668	S*	10/2017	Steel	D7/531
D800,499	S*	10/2017	Repac	D7/413
D801,108	S*	10/2017	Pan	D7/378
2003/0085228	A1*	5/2003	Oakes	B65D 43/021 220/302
2004/0066705	A1*	4/2004	Linz	A47J 43/27 366/130
2005/0061821	A1*	3/2005	Smith	B65D 1/265 220/675

2011/0220674	A1*	9/2011	Honeyghan	A47G 19/22 220/849
2013/0213978	A1	8/2013	Libourel et al.	
2014/0247686	A1	9/2014	Arnett et al.	
2015/0098299	A1	4/2015	Sapire	
2016/0220071	A1	8/2016	Hewitt et al.	

FOREIGN PATENT DOCUMENTS

EP	2275013	A1	1/2011
EP	2522261	A1	11/2012

OTHER PUBLICATIONS

Final Office Action; U.S. Appl. No. 14/802,706, filed Jul. 17, 2015; Container for Food Processing System; dated Apr. 4, 2016; 7 Pages.

Food Machines International General Catalogue; JPO Publicly Known Design No. HC17002749; Oct. 2004; 5 Pages.

International Search Report; International Application No. PCT/US2016/016083; International Filing Date: Feb. 2, 2016; dated Jul. 21, 2016; 8 Pages.

Invitation to Pay Additional Fees; International Application No. PCT/US2016/016083; International Filing Date: Feb. 2, 2016; dated May 4, 2016; 8 Pages.

Non-Final Office Action; U.S. Appl. No. 14/802,706, filed Jul. 17, 2015; Container for Food Processing System; dated Dec. 4, 2015; 11 Pages.

Non-Final Office Action; U.S. Appl. No. 14/802,706, filed Jul. 17, 2015; Container for Food Processing System; dated Oct. 12, 2016; 12 Pages.

Notice of Allowance and Fees Due; U.S. Appl. No. 29/533,491, filed Jul. 17, 2015; Blender Attachment; dated Nov. 21, 2016; 12 Pages.

Notice of Allowance; Japanese Design Application No. 2016-000591; dated Jul. 22, 2016; 2 Pages.

Notice of Allowance; U.S. Appl. No. 29/594,598, filed Feb. 21, 2017; Blender Attachment; dated May 22, 2017; 16 Pages.

Notice of Allowance; U.S. Appl. No. 29/600,212, filed Apr. 10, 2017; Blender Attachment; dated May 22, 2017; 16 Pages.

Notice of Allowance; U.S. Appl. No. 14/802,706, filed Jul. 17, 2015; Container for Food Processing System; dated Jul. 8, 2016; 7 Pages.

Notice of Allowance; U.S. Appl. No. 14/802,706, filed Jul. 17, 2015; Container for Food Processing System; dated Feb. 14, 2017; 9 Pages.

Notice of References; Japanese Design Application No. 2016-000591; dated Jul. 19, 2016; 4 Pages.

Notice of the Preliminary Rejection; Korean Application No. 3020160001832; dated May 23, 2016; 2 Pages.

Requirement for Restriction/Election; U.S. Appl. No. 29/594,594, filed Feb. 21, 2017; Blender Attachment; dated May 19, 2017; 15 Pages.

Requirement for Restriction/Election; U.S. Appl. No. 29/600,213, filed Apr. 10, 2017; Blender Attachment; dated May 19, 2017; 15 Pages.

Requirement for Restriction/Election; U.S. Appl. No. 14/802,706, filed Jul. 17, 2015; Container for Food Processing System; dated Sep. 29, 2015; 6 Pages.

Requirement for Restriction/Election; U.S. Appl. No. 29/533,491, filed Jul. 17, 2015; Blender Attachment; dated Aug. 9, 2016; 19 Pages.

SUGICO Parts Catalogue; JPO Publicly Known Design No. HC18022081; No. 05P; 3 Pages.

Written Opinion of the International Searching Authority; International Application No. PCT/US2016/016083; International Filing Date: Feb. 2, 2016; dated Jul. 21, 2016; 9 Pages.

* cited by examiner

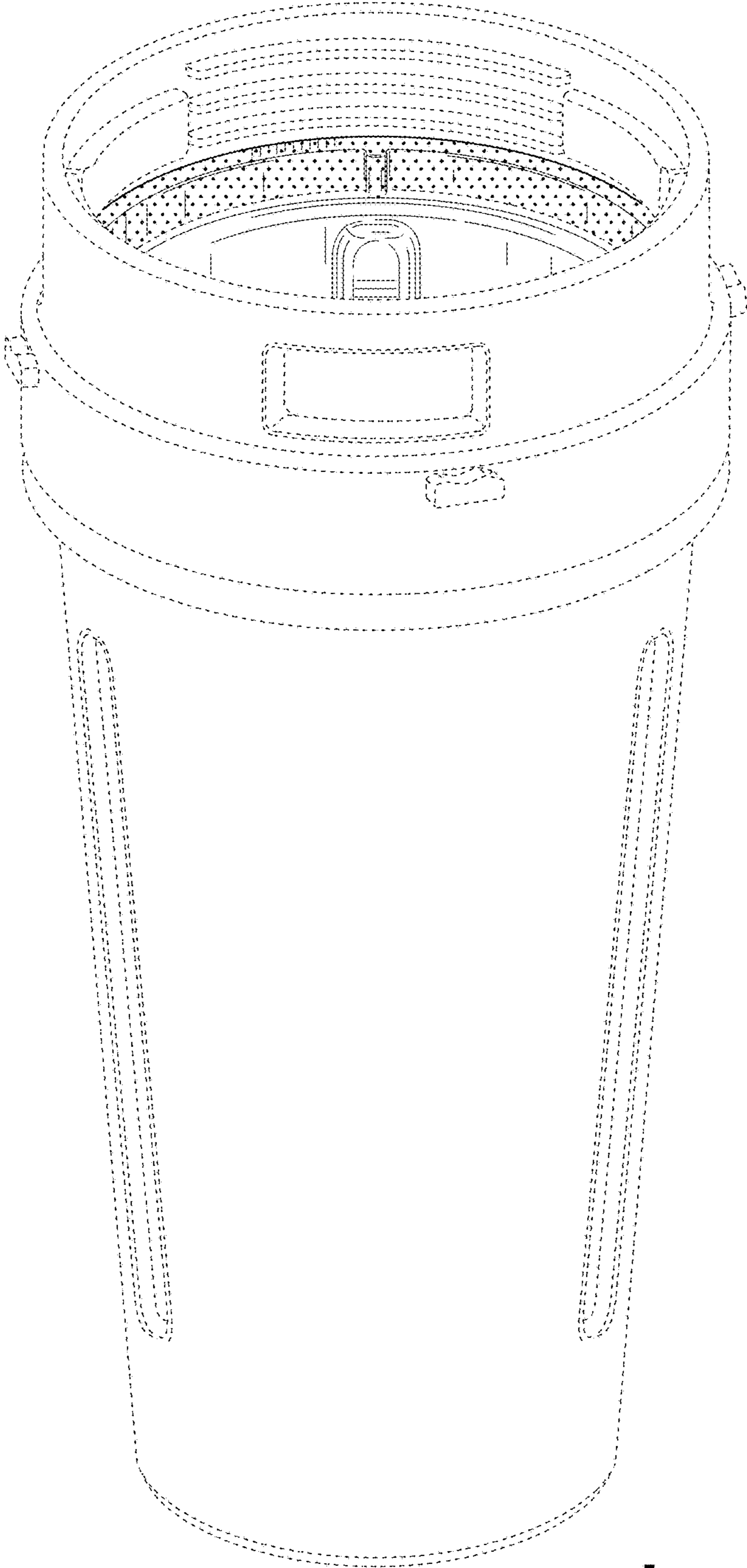


FIG. 1

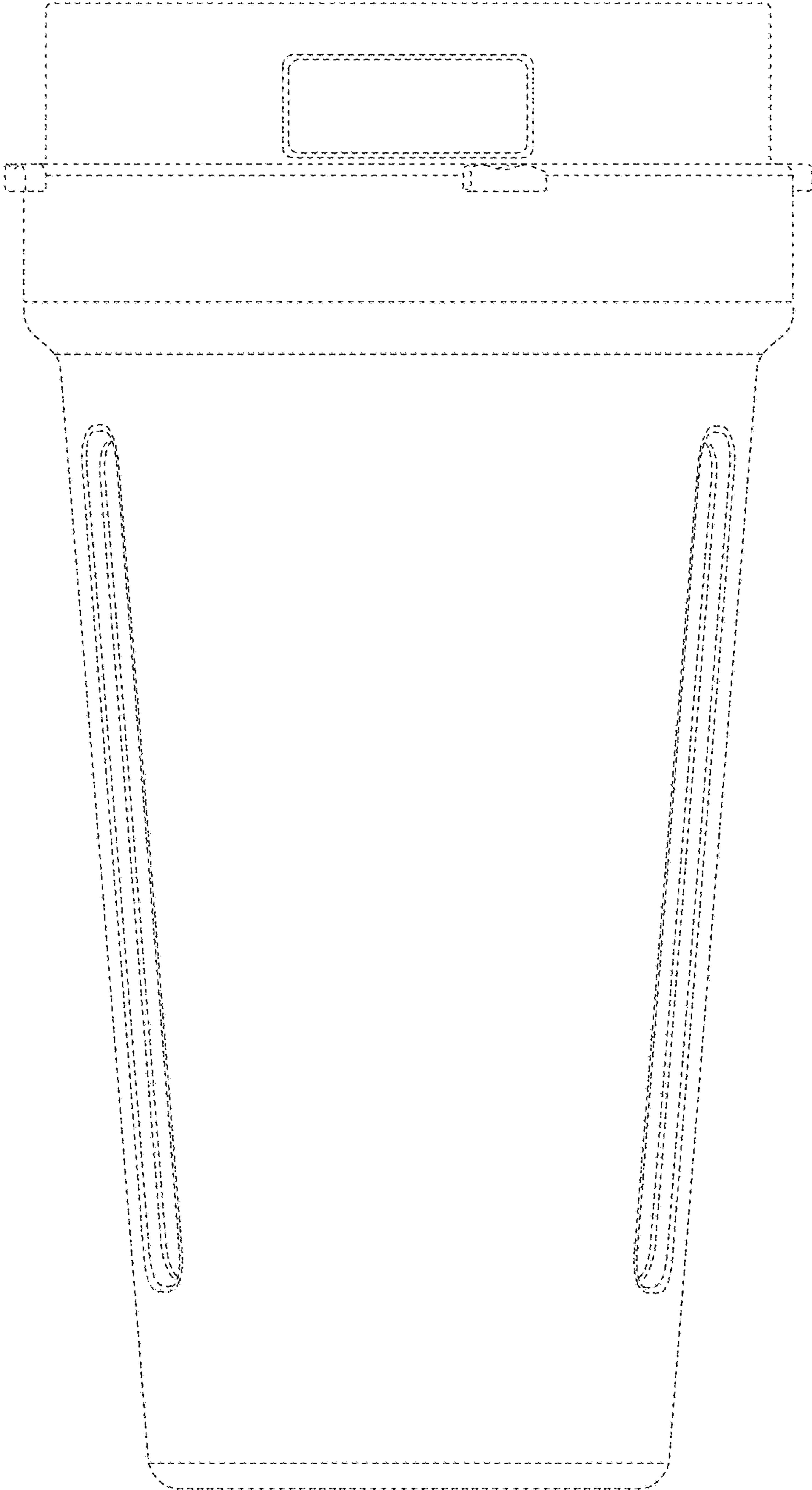


FIG. 2

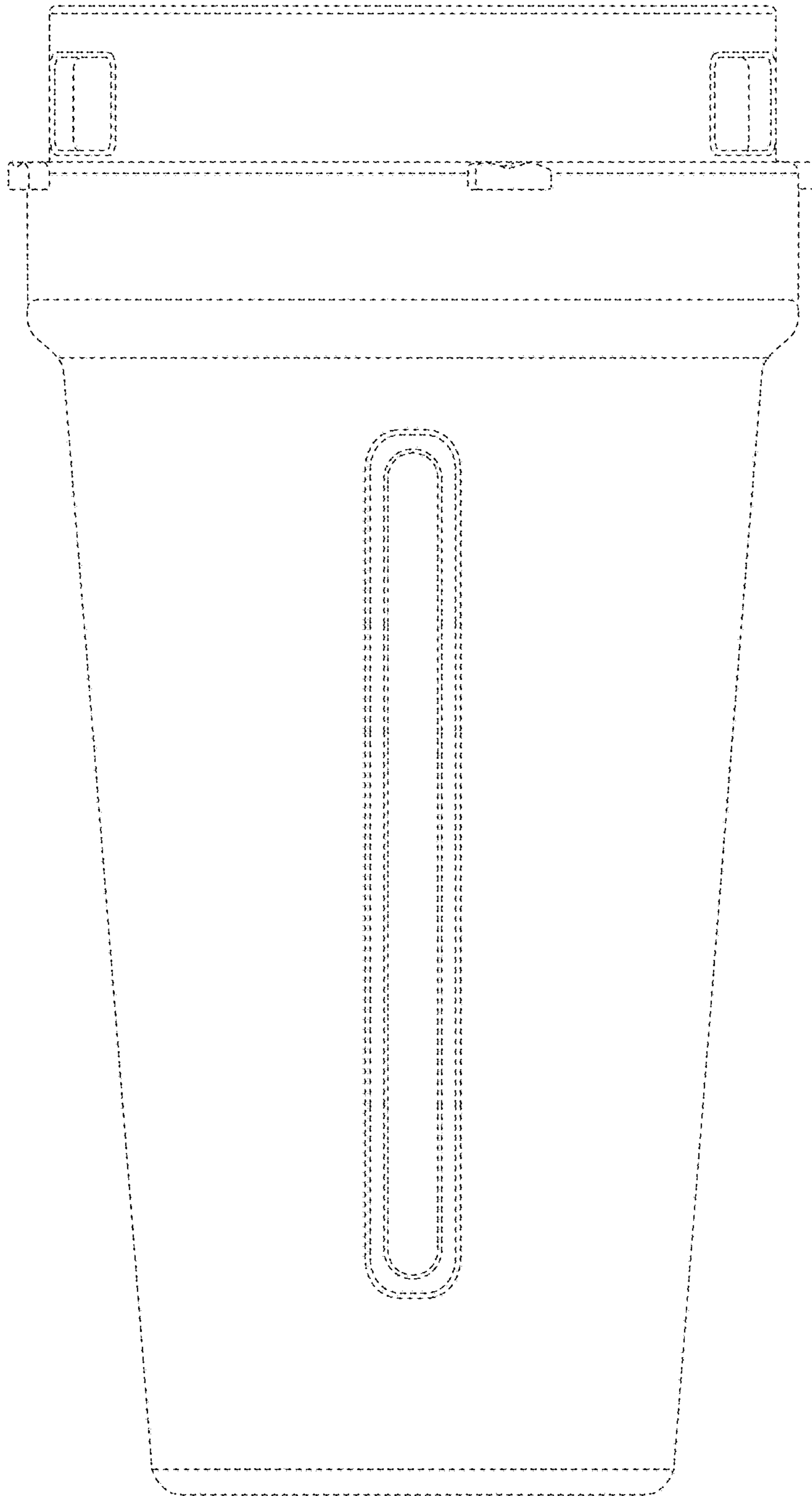


FIG. 3

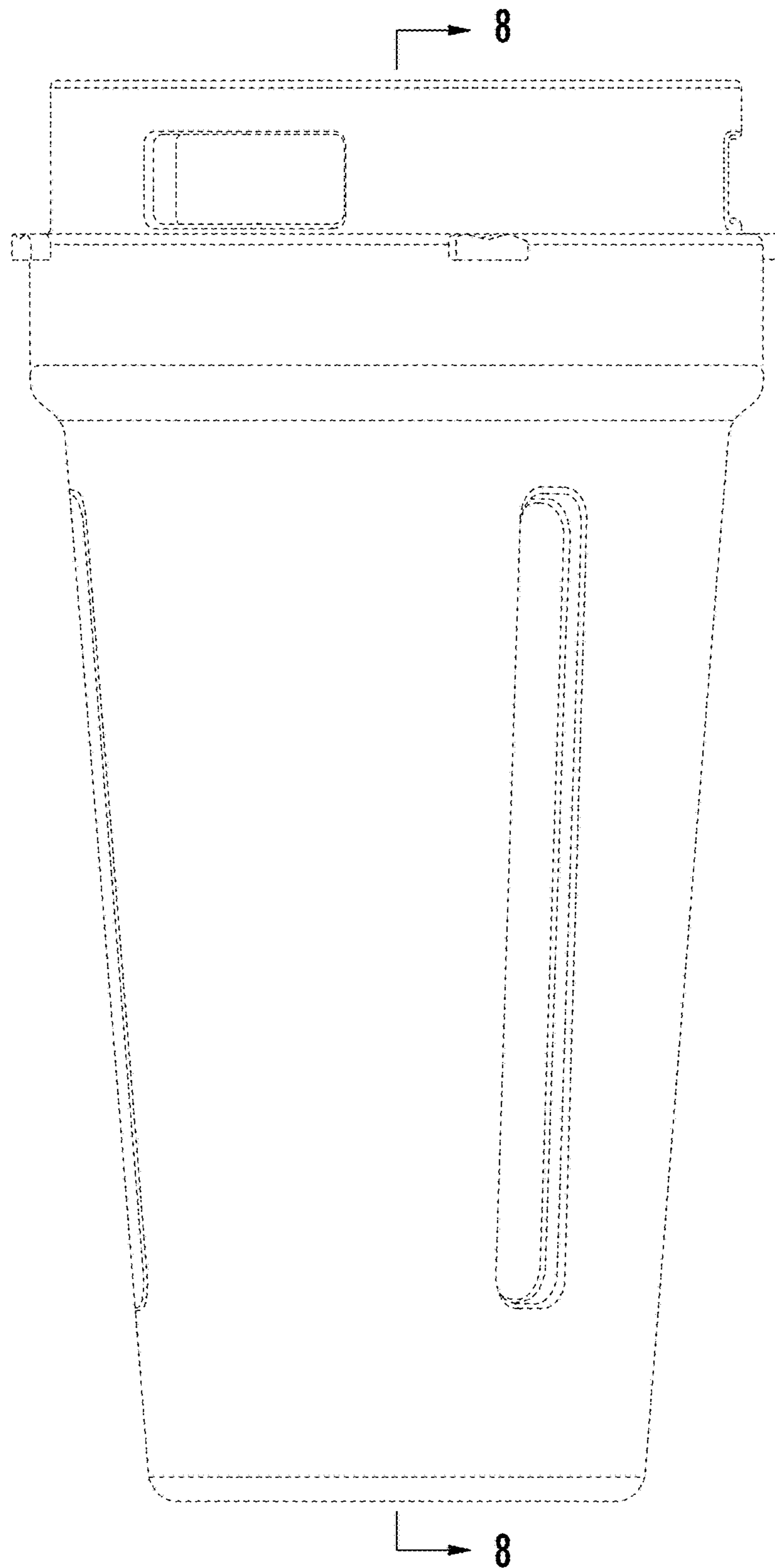


FIG. 4

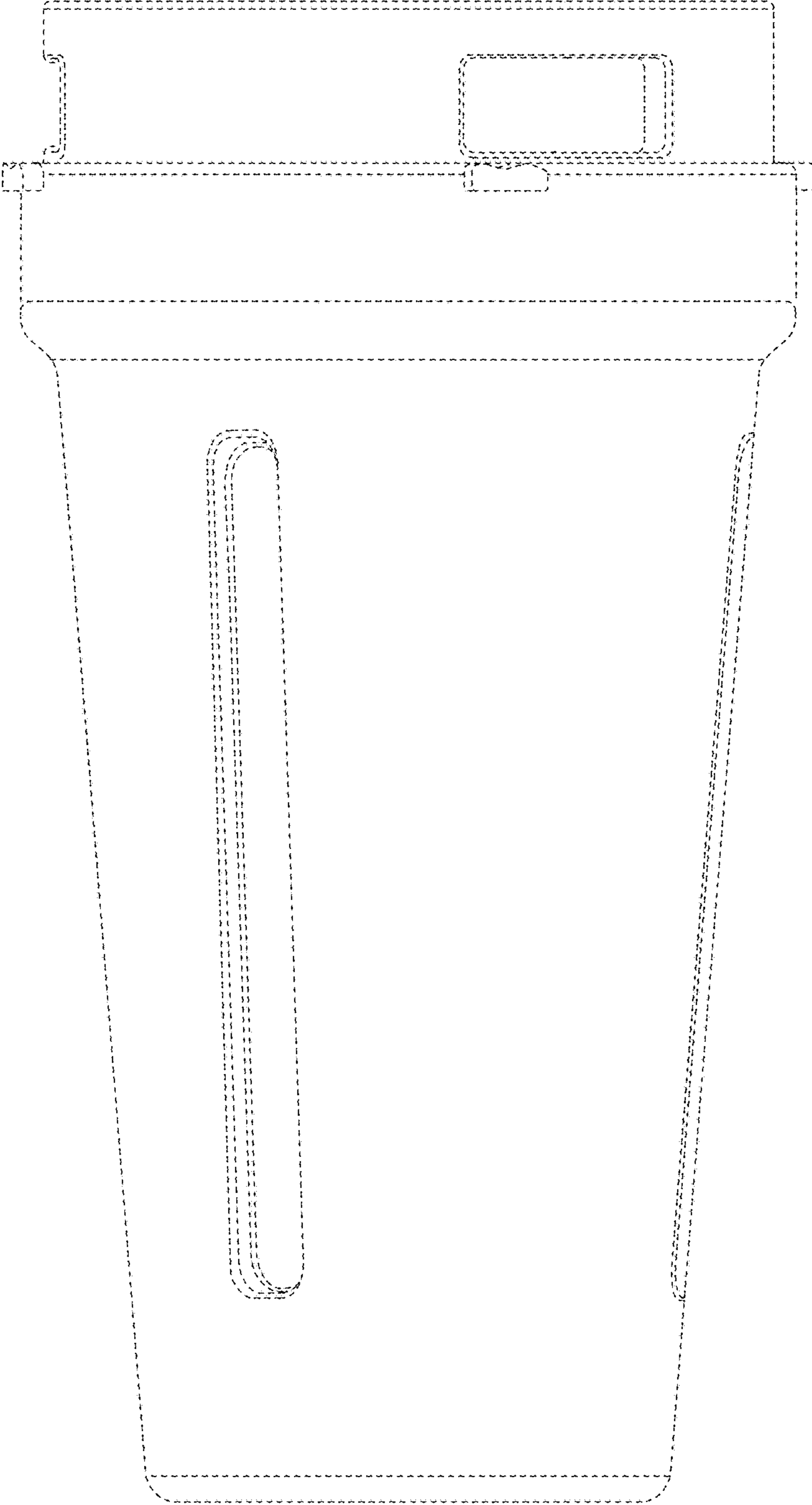


FIG. 5

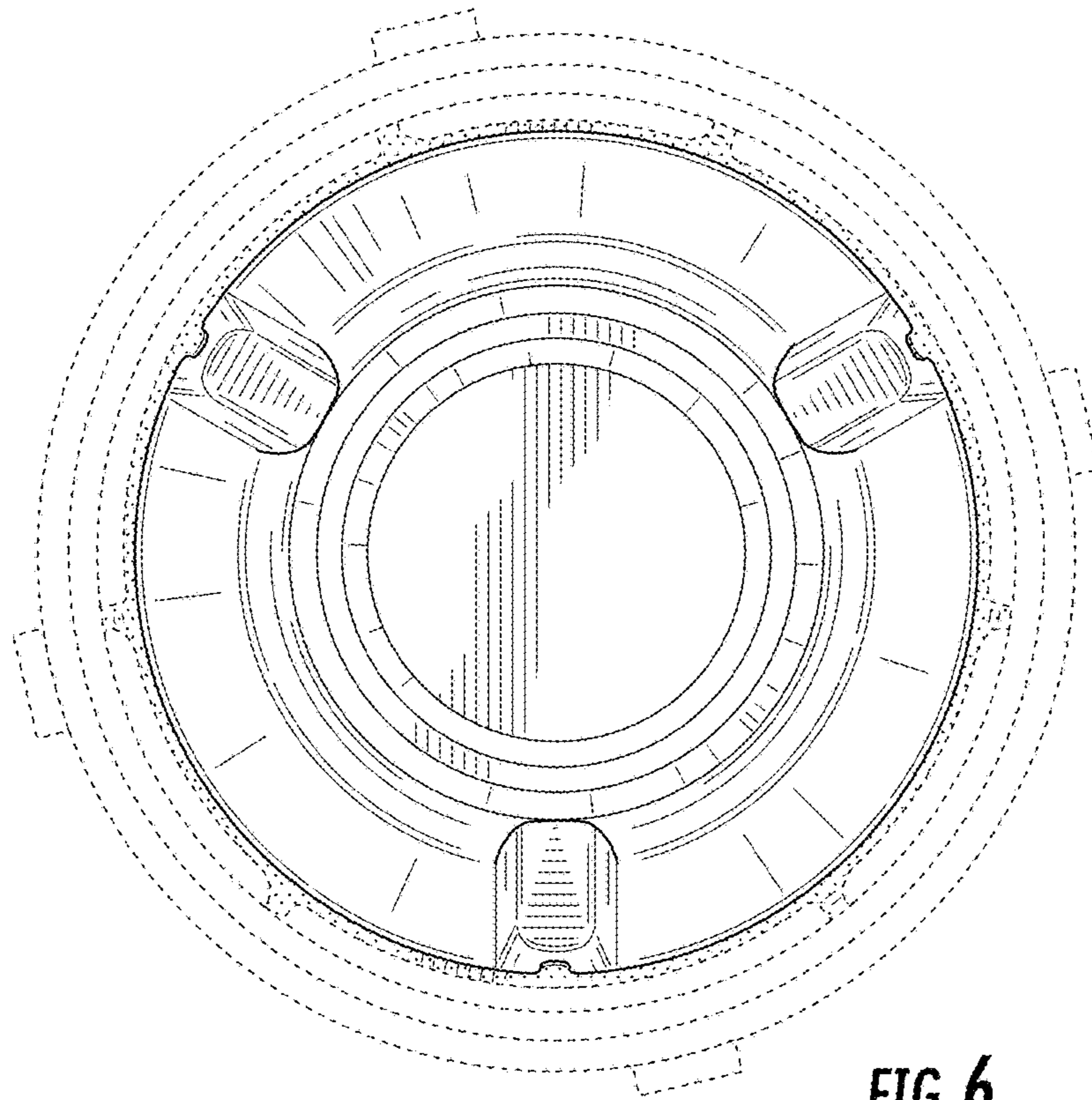


FIG. 6

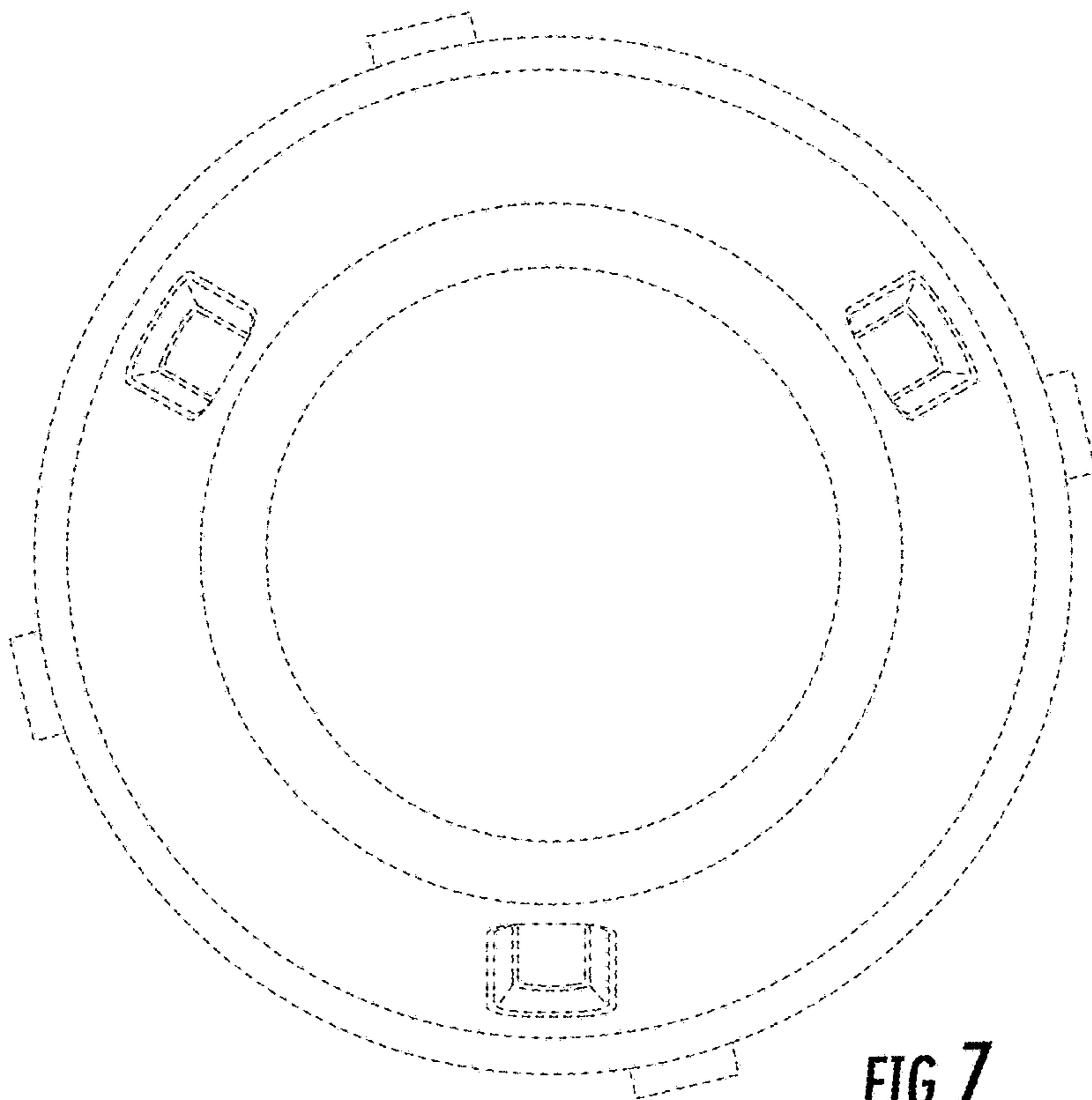


FIG. 7

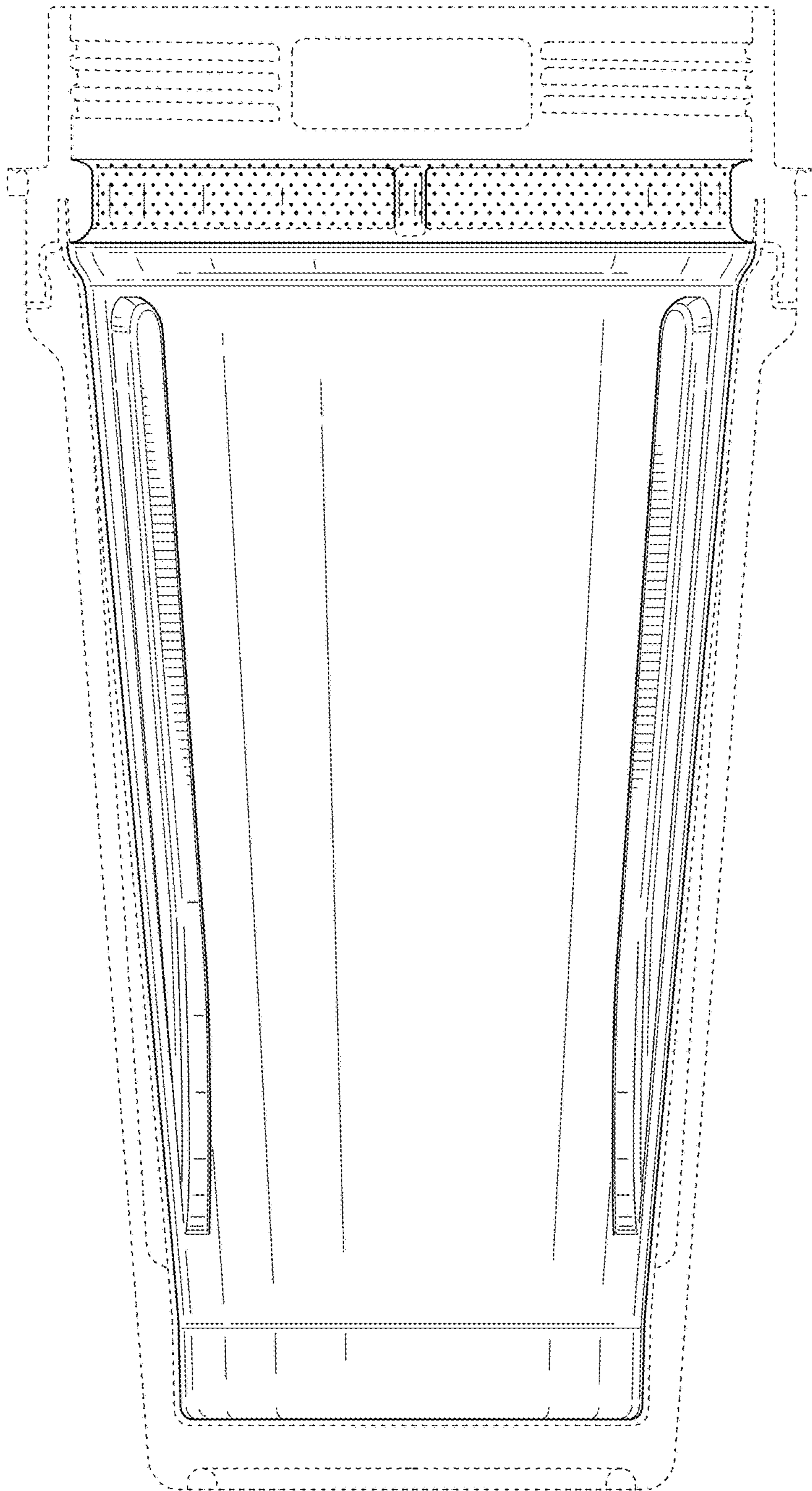


FIG. 8

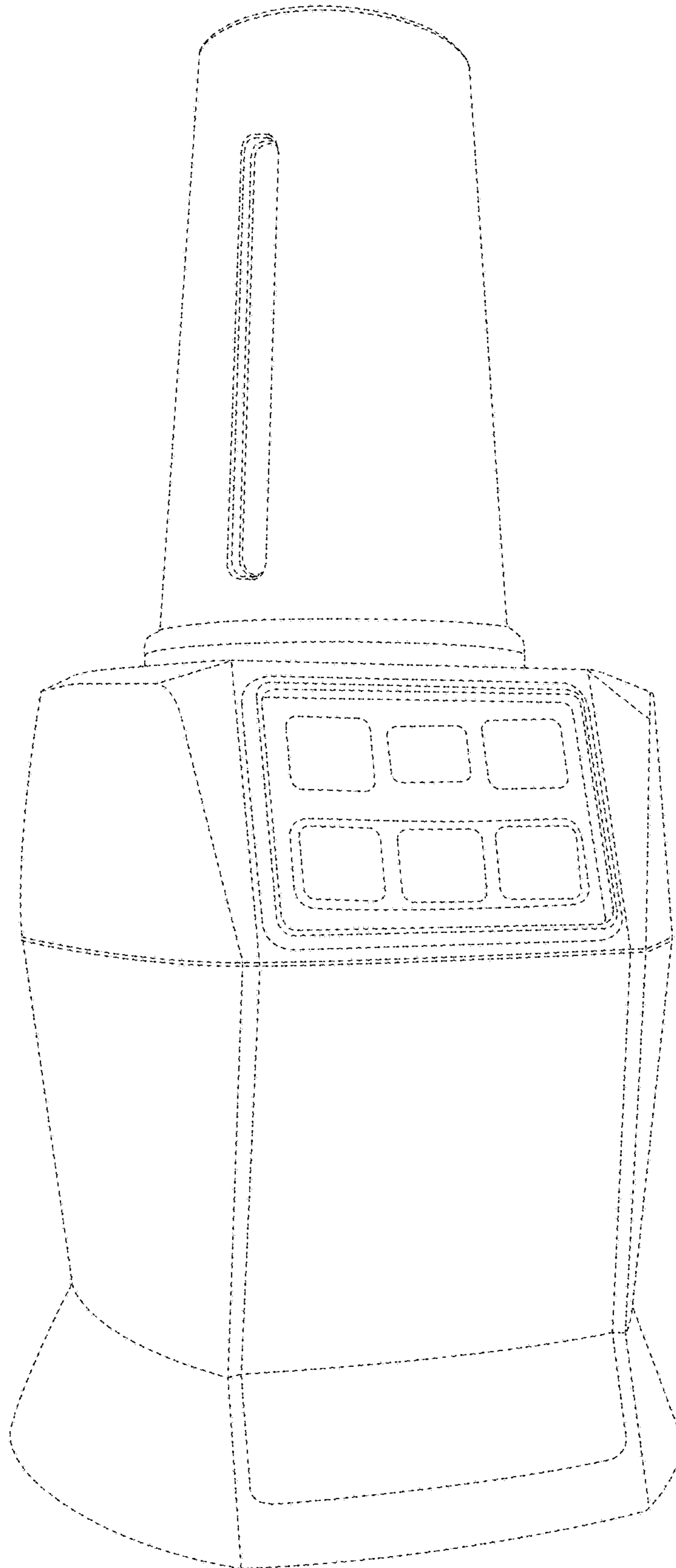


FIG. 9